



US00D779799S

(12) **United States Design Patent** (10) **Patent No.:** **US D779,799 S**
Gavrieli et al. (45) **Date of Patent:** **** *Feb. 28, 2017**

(54) **SINGLE-SOLE SHOE WITH STRIPE AND
OUTPATCH SOLE**

1,519,009 A 12/1924 Reina
1,525,848 A * 2/1925 Bonaventure A43B 5/12
36/113

(71) Applicant: **Gavrieli Brands LLC**, Beverly Hills,
CA (US)

1,587,377 A 6/1926 Grosjean
1,650,466 A 11/1927 Righter
2,224,590 A 12/1940 Boivin

(Continued)

(72) Inventors: **Kfir Gavrieli**, Beverly Hills, CA (US);
Dikla Gavrieli, Beverly Hills, CA (US)

FOREIGN PATENT DOCUMENTS

(73) Assignee: **Gavrieli Brands LLC**, Beverly Hills,
CA (US)

DE 20 2006 000230 U1 5/2007
GB 2443937 A 5/2008

(Continued)

(*) Notice: This patent is subject to a terminal dis-
claimer.

OTHER PUBLICATIONS

(**) Term: **14 Years**

Examination Report for AU 341324, 3 pgs., dated Oct. 24, 2012.

(Continued)

(21) Appl. No.: **29/507,408**

Primary Examiner — Dominic Simone

(22) Filed: **Oct. 27, 2014**

(74) *Attorney, Agent, or Firm* — Morgan, Lewis &
Bockius LLP

(51) **LOC (10) Cl.** **02-04**

(52) **U.S. Cl.**

USPC **D2/939**

(58) **Field of Classification Search**

USPC D2/896, 900, 919–921, 925, 939, 947,
D2/950, 969, 971; 36/1, 83, 8.1–8.3, 9 R,
36/45–58, 104, 108, 76 R

CPC A43B 21/00; A43B 21/02; A43B 21/06;
A43B 9/14; A43B 1/0045; A43B 13/10;
A43B 13/12; A43B 23/06; A43B 23/07;
A43B 1/0036; A43B 5/12

See application file for complete search history.

(57) **CLAIM**

The ornamental design for a single-sole shoe with stripe and
outpatch sole, as shown and described.

DESCRIPTION

FIG. 1 is a perspective view of our new design for a
single-sole shoe with stripe and outpatch sole;
FIG. 2 is a first side view thereof;
FIG. 3 is a second side view thereof;
FIG. 4 is a top view thereof;
FIG. 5 is a bottom view thereof;
FIG. 6 is a front view thereof; and,
FIG. 7 is a back view thereof.

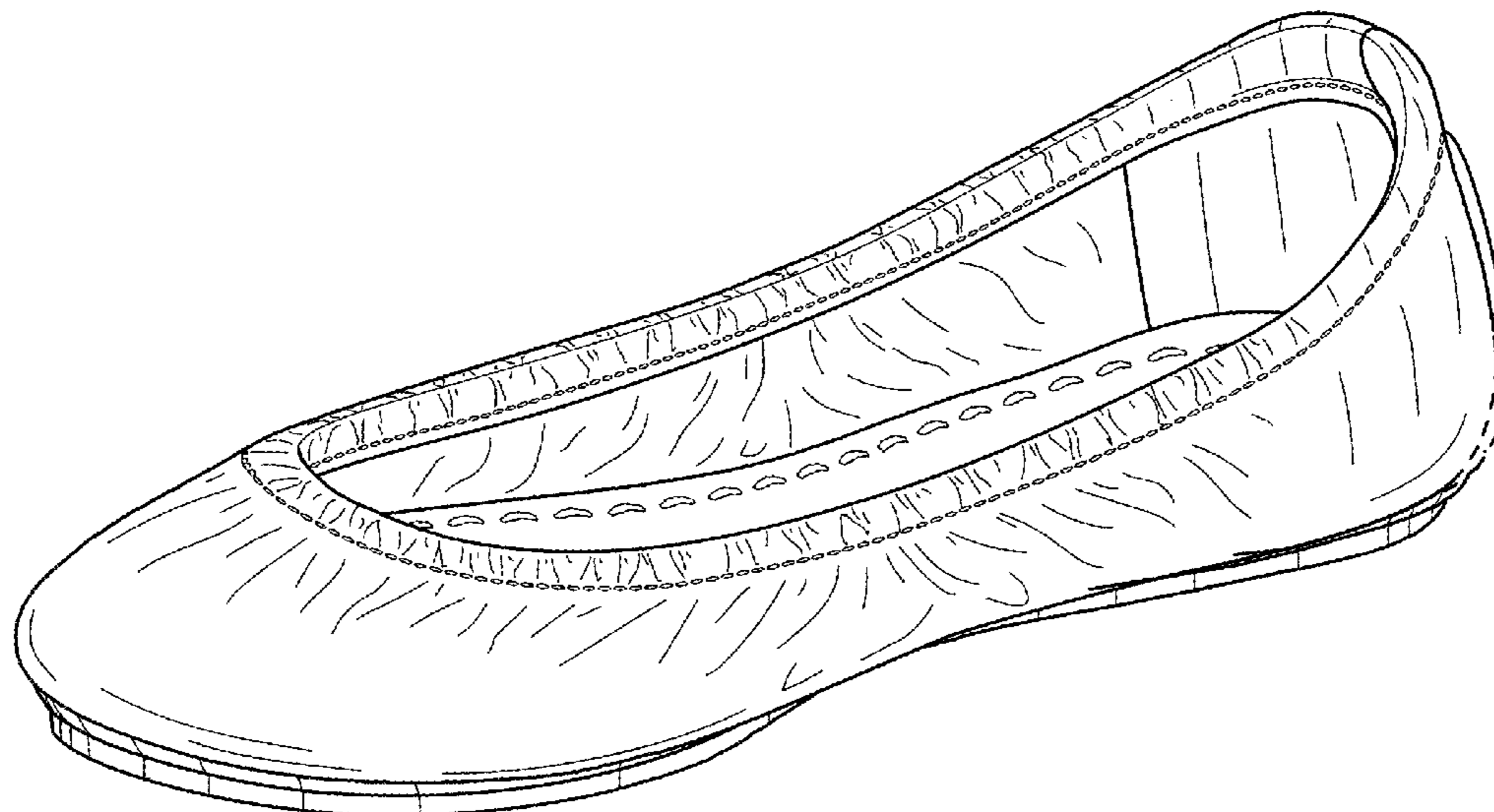
The broken lines illustrating the half-moon patch and the
heel stripe are for illustrative purposes only and form no part
of the claimed design.

(56) **References Cited**

U.S. PATENT DOCUMENTS

249,086 A 11/1881 Pienovi
773,850 A 11/1904 Cooper et al.
830,941 A 9/1906 Walden
1,208,209 A 12/1916 Prince
1,214,666 A 2/1917 Ford

1 Claim, 6 Drawing Sheets



(56)

References Cited

U.S. PATENT DOCUMENTS

2,268,777	A	1/1942	Scholl		D615,737	S	5/2010	Feller	
D133,819	S	* 9/1942	Harris	D2/939	7,735,244	B1	6/2010	Ameche	
D135,791	S	6/1943	Beebe		7,743,530	B2	6/2010	Truelsen	
2,323,563	A	7/1943	Nugent		D618,891	S	7/2010	McClaskie	
2,342,882	A	2/1944	Meltzer		7,757,408	B2	7/2010	McClaskie	
D141,871	S	7/1945	Braun		D630,829	S	1/2011	Weisner	
2,383,585	A	8/1945	Bindner		D632,881	S	2/2011	Rosenberg	
D149,685	S	* 5/1948	Sandler	D2/935	7,926,203	B2	4/2011	Wilkenfeld	
D150,729	S	* 8/1948	Sandler	D2/923	7,966,747	B2	6/2011	Wilkenfeld et al.	
D166,090	S	* 3/1952	Maling	D2/897	D640,861	S	7/2011	Wilkenfeld	
2,772,488	A	12/1956	Meltzer		8,020,320	B2	9/2011	Gillespie	
2,904,814	A	9/1959	Scholl		8,127,468	B2	3/2012	Morgan	
3,148,378	A	9/1964	Tibbitts		D657,543	S	4/2012	Bove	
D200,897	S	* 4/1965	Mitchell	D2/919	D659,960	S	5/2012	Bizzo	
D220,464	S	4/1971	Hayashi		8,230,619	B2	7/2012	Salvatelli	
D247,396	S	* 3/1978	Schlerth	D2/939	D664,755	S	8/2012	Gavrieli et al.	
4,412,393	A	11/1983	Terlizzi, Jr. et al.		D665,157	S	8/2012	Wu	
D275,525	S	9/1984	Nakao		8,240,067	B2	8/2012	Sussmann	
4,674,206	A	6/1987	Lyden		8,245,420	B2	8/2012	Wilson	
D295,692	S	* 5/1988	Zuidema	D2/950	D668,027	S	10/2012	Millieret	
D300,085	S	3/1989	Ito et al.		D668,438	S	10/2012	Millieret	
RE33,018	E	8/1989	Ostrander		D668,847	S	* 10/2012	Gavrieli	D2/925
4,899,412	A	2/1990	Ganon		D668,848	S	* 10/2012	Gavrieli	D2/925
D316,773	S	5/1991	Valle		D668,849	S	10/2012	Pozzi	
5,012,541	A	5/1991	Ganon		D668,850	S	10/2012	Pozzi	
D339,669	S	* 9/1993	Miller	D2/919	D672,542	S	12/2012	Gray et al.	
5,282,326	A	2/1994	Schroer, Jr. et al.		D676,634	S	* 2/2013	Gavrieli	D2/925
5,421,050	A	6/1995	Laganas		D681,927	S	* 5/2013	Gavrieli	D2/925
5,699,629	A	12/1997	Munschy		D681,928	S	* 5/2013	Gavrieli	D2/925
5,746,014	A	5/1998	Tanemoto		D681,929	S	* 5/2013	Gavrieli	D2/925
D420,785	S	2/2000	Perez		D683,936	S	* 6/2013	Gavrieli	D2/925
6,055,745	A	5/2000	Endoh		8,468,723	B2	6/2013	Malka-Harari	
6,076,284	A	6/2000	Terlizzi		8,510,975	B2	8/2013	Krikelis	
6,189,239	B1	2/2001	Gasparovic et al.		D688,853	S	* 9/2013	Gavrieli	D2/925
6,338,207	B1	1/2002	Chang		D688,854	S	* 9/2013	Gavrieli	D2/925
D457,292	S	* 5/2002	Sessa	D2/949	D688,855	S	* 9/2013	Gavrieli	D2/925
D461,947	S	8/2002	Merceron		D689,270	S	* 9/2013	Gavrieli	D2/925
D476,798	S	7/2003	Reynolds et al.		D689,271	S	* 9/2013	Gavrieli	D2/925
6,588,124	B2	7/2003	Morrone		D689,272	S	* 9/2013	Gavrieli	D2/925
D498,041	S	11/2004	McClaskie		D690,914	S	* 10/2013	Gavrieli	D2/925
D500,191	S	* 12/2004	Belley	D2/969	D690,915	S	* 10/2013	Gavrieli	D2/925
D501,706	S	2/2005	McClaskie		D696,500	S	12/2013	Hunt	
6,857,203	B2	2/2005	Minden		D699,424	S	2/2014	Hamm	
6,895,693	B2	5/2005	Baruck		8,661,714	B2	3/2014	Sussmann	
6,978,557	B2	12/2005	Lee		8,973,287	B2	3/2015	Shibata	
7,032,327	B1	4/2006	Tartaglia et al.		2002/0078591	A1	6/2002	Morrone	
7,036,244	B1	5/2006	Finch		2002/0129519	A1	9/2002	Cahan	
D527,513	S	9/2006	Della Valle		2003/0070319	A1	4/2003	Minden	
D529,513	S	* 10/2006	Aketa	D15/5	2003/0121176	A1	7/2003	Baruck	
D531,790	S	11/2006	Wurzburg		2004/0025377	A1	2/2004	Brannon	
D534,341	S	* 1/2007	Choi	D2/896	2005/0022421	A1	2/2005	Bruckner	
D542,513	S	5/2007	Amado et al.		2005/0115115	A1	6/2005	Lacey	
D556,990	S	12/2007	Cabados		2005/0217148	A1	10/2005	Connolly et al.	
7,337,558	B2	3/2008	Terlizzi et al.		2005/0262734	A1	12/2005	Cheng	
D567,485	S	4/2008	James		2006/0086005	A1	4/2006	Yerian	
D570,488	S	6/2008	Kirksey et al.		2006/0156576	A1	7/2006	Sloan	
D571,084	S	6/2008	Comeau		2007/0074424	A1	4/2007	Lin	
D571,548	S	6/2008	Seamans		2007/0204482	A1	9/2007	Gibson-Collinson	
D571,989	S	7/2008	Siegal		2007/0204483	A1	9/2007	Kirsch et al.	
D580,640	S	11/2008	Wurzburg		2008/0052964	A1	3/2008	Taylor	
D582,638	S	12/2008	Ringholz		2008/0086912	A1	4/2008	Wilkenfeld	
7,496,982	B2	3/2009	Clark et al.		2008/0110059	A1	5/2008	Kuramoto et al.	
7,506,459	B2	3/2009	Grisoni et al.		2009/0019732	A1	1/2009	Sussmann	
D591,031	S	4/2009	Cofinco		2009/0193685	A1	8/2009	Wilson	
D593,295	S	* 6/2009	Belley	D2/969	2009/0205222	A1	8/2009	Mclinden	
D593,297	S	* 6/2009	Belley	D2/969	2009/0272009	A1	11/2009	Weisner et al.	
D593,307	S	* 6/2009	Belley	D2/969	2010/0011625	A1	1/2010	Percival	
D599,093	S	* 9/2009	Issler	D2/925	2010/0018080	A1	1/2010	Smith	
D604,030	S	11/2009	Wilson		2010/0050469	A1	3/2010	Chen	
D607,194	S	1/2010	Zagula		2010/0095557	A1	4/2010	Jarvis	
D610,332	S	2/2010	Raichle		2010/0115793	A1	5/2010	Kraisosky	
D610,785	S	3/2010	Smith		2010/0122475	A1	5/2010	Purrrington	
D612,140	S	3/2010	Moon		2010/0146822	A1	6/2010	MacGregor	
D612,141	S	3/2010	Moon		2010/0212186	A1	8/2010	Cheng	
7,694,435	B1	4/2010	Kiser et al.		2010/0275462	A1	11/2010	Pucci	

(56)

References Cited

U.S. PATENT DOCUMENTS

2010/0281713 A1 11/2010 Pantazes
2015/0089843 A1 4/2015 Gavrieli

FOREIGN PATENT DOCUMENTS

GB 2 446 205 A 8/2008
TW D119165 10/2007

OTHER PUBLICATIONS

Letter from TMI and Associates with Office Action, 2 pgs, dated Sep. 19, 2012 <http://www.payless.com/store/?&TLC=Womens&SLC=WomensNewArrivals&BLC=WomensNewArrivalsNewArrivals&With+Regular&ItemCode=60131&LotNumber=062642&Type=Adult&Popularity=637&Descriptvein>.

Taiwanese Office Action for TW 101300726, 10 pgs., dated Sep. 6, 2012.

“The Love List, Tiefs by Gavrieli— Foldable Ballet Flats,” <http://thelovelist-carly.blogspot.com.au/2010/09/tiefs-by-gavrieli-foldable-ballet.html>, 3 pgs., Sep. 12, 2010.

“Tiefs by Gavrieli,” <http://tiefs.com>, 1 pg., retrieved Mar. 13, 2013 from URL.

“Try It Mummy!, Tiefs by Gavrieli,” <http://tryitmummy.blogspot.com.au/2010/12/tiefs-by-gavrieli.html>, 4 pgs., Dec. 9, 2010.

“Wearability—Real People Style, What came first, the City Flat or the Tiefs,” <http://wearability.posterous.com/what-came-first-the-city-flat-or-the-tiefs>, 4 pgs., Aug. 29, 2010.

“The Ballet Flat . . . Reinvented; Ballet Flats . . . with a Bonus; Step Into Tiefs; Going Places? Take Tiefs,” <http://web.archive.org/web/2010052004346/http://www.tiefs.com/>; 4 pgs., May 24, 2010.

“Tiefs— Comfortable designer flats you can fit in your purse and wear all day, every day,” <http://web.archive.org/web/20110731151555/http://tiefs.com/>; 6 pgs., Jul. 31, 2011.

“58th Annual Emmy Awards,” http://spoonsforksandfashion.blogspot.com/2006_08_01_archive.html, depicting Nine West flats, 11 pgs., Aug. 1, 2006.

Pictures of Nine West flats sold in 2006, 3 pgs.

“I Love a Good Ballet Flat!,” <http://dressupfiles.com/i-love-a-good-ballet-flat>, depicting Sue London flats, 4 pgs., Sep. 3, 2010.

Pictures of Sue London flats sold in 2010, 2 pgs.

“Miss Cathie Reviews: The Yosi Samra Foldable Ballet Flat . . .,” <http://www.misscathie.com/2010/01/miss-cathie-reviews-the-yosi-samra-foldable-ballet-flat/>, depicting Yosi Samra flats, 7 pgs., Jan. 2010.

Pictures of Yosi Samra flats sold in 2010, 2 pgs.

“Goodbye two thousand ten,” http://emmajoyrussell.blogspot.com/2010_12_01_archive.html, depicting Gap flats, 39 pgs., Dec. 1, 2010.

Pictures of Gap flats available for sale in 2010, 9 pgs.

“Our newest design of folding flats-Pink,” <http://fitinclouds.wordpress.com/2010/05/16/our-newest-design-of-folding-flats-pink/>, depicting Fit in Clouds flats, 1 pg., May 16, 2010.

“Fit in Clouds Satin Folding Shoes,” <http://www.goodhousekeeping.com/product-reviews/clothing/best-ballet-flats/fit-in-clouds-satin-foldable-ballet-flats>, depicting Fit in Clouds flats, 1 pg., Aug. 2013.

Pictures of Fit in Clouds flats available for sale in 2011, 4 pgs.

“Shoes for Standing,” <https://truthinshoes.wordpress.com/2008/07/>, depicting Sam & Libby flats, 2 pgs., Jul. 31, 2008.

“Target Designer Collaboration: Announcing Sam & Libby Shoes for Target,” <http://www.therecessionista.com/2012/11/target-designer-collaboration-announcing-samlibby-shoes-for-target.html>, depicting Sam & Libby flats, 1 pg., Nov. 26, 2012.

Pictures of Sam & Libby flats available for purchase in 2011, 5 pgs.

“Save your soles with Citisoles ballet flats,” <http://glamazondiaries.com/2009/07/save-your-soles-with-citisoles-ballet-flats>, depicting Citisoles flats, 3 pgs., Jul. 2009.

Pictures of Citisoles flats available for purchase in 2009, 3 pgs.

“#16 Corso Como Delicious Pumps Review and Giveaway!,” <http://www.mommatoldmeblog.com/2011/01/16-corso-como-delicious-pumps-review.html>, depicting Corso Como flats, 8 pgs., Jan. 16, 2011.

Pictures of Corso Como flats available for sale in 2011, 3 pgs.

“jil-sander-navy-lead-ballet-flats-product . . .,” www.ebay.com, depicting Jil Sander flats, 4 pgs., Nov. 2013.

Pictures of Jil Sander flats available for sale in 2011, 3 pgs.

“Spare Soles: Shoes That Roll-up & Fold-up,” <http://herpackinglist.com/2011/01/spare-soles-shoes/>, depicting Spare Soles flats, 2 pgs., Jan. 2011.

Pictures of Spare Soles flats available for sale in 2011, 5 pgs.

The Original Rollable, Foldable ballet flats with matching wristlet— Spare Soles, <http://herpackinglist.com/2011/01/spare-soles-shoes/>, depicting Roll-Upz Spare Soles flats, 2 pgs., Jan. 2011.

Pictures of Roll-Upz by Spare Soles flats available for sale in 2011, 6 pgs.

“The Cutest Blog, Preppy 50 and Loving Lilly, Ballet Flat Delight,” <http://preppy50andlovinglilly.blogspot.com/2011/02/ballet-flat-delight.html>, depicting Henri Bendel flats, 13 pgs., Feb. 19, 2011.

Pictures of Henri Bendel flats available for sale in 2011, 4 pgs.

“Mumsnet by parents for parents,” http://www.mumsnet.com/Talk/style_and_beauty/a1612000-Anyone-tried-Redfoot-Flatmates-foldable-ballet-pumps, depicting Redfoot Flatmates flats, 1 pg, Nov. 14, 2012.

Pictures of Redfoot Flatmates flats available for sale in 2011, 6 pgs.

“Amazon.com: Customer Reviews: Bloch London Women’s Lux Ballet Flat,” <http://www.amazon.com/Bloch-London-Womens-Ballet-Flat/product-reviews/B004LWP7YW>, depicting Bloch London flats, 4 pgs., Dec. 11, 2011.

Pictures of Bloch London flats offered for sale in 2011, 11 pgs.

“h&m foldable leopard print flat,” <http://845shops.wordpress.com/2011/06/16/flats-for-7-bucks/shoel/>, depicting h&m flats, 3 pgs., Jun. 16, 2011.

Pictures of h&m foldable flats offered for sale in 2011, 4 pgs.

“Seekyt— Juicy Couture Ballet Flats-Are They Worth The Money?,” <http://seekyt.com/juicy-couture-ballet-flats-are-they-worth-the-money/>, 14 pgs., Jun. 3, 2011.

Pictures of Juicy Couture flats offered for sale in 2011, 3 pgs.

“Purse Flats,” <http://purseflats.wordpress.com>, depicting Purse Flats by Erica Wilson, 3 pgs., Jul. 12, 2012.

Pictures of Purse Flats by Erica Wilson offered for sale in 2011, 6 pgs.

“Splash Page,” <http://web.archive.org/web/20100524004346/http://www.tiefs.com/>, 4 pgs., May 24, 2010.

“Tiefs— Comfortable, designer flats you can fit in your purse and wear all day, every day,” <http://web.archive.org/web/20110731151555/http://tiefs.com/>, 6 pgs., Jul. 31, 2011.

“Tiefs by Gavrieli— Comfortable, designer flats you can fit in your purse and wear all day . . .,” <http://web.archive.org/web/20110202210649/http://www.tiefs.com/>, 8 pgs., Feb. 2, 2011.

“Carolina M. M. Gonzalez > Tiefs by Gavrieli,” <http://m2.facebook.com/Tiefs?v=timeline&filter=2>

& timecutoff=1406427986&page=17§ionLoadingID=m_timeline_loading_div_1293868799_1262332800_8_17&timeend=1293868799×tart=1262332800&tm=AQDOvqhWQPN_Nbwm&refid=17, 1 pg. Jan 26, 2010.

“The Shoes Oprah Would Wear to Work (if She Had to Walk),” <http://www.inc.com/30under30/christina-desmarais/kfir-gavrieli-and-elram-gavrieli-founders-of-tiefs.html>, 8 pgs., Jul. 2, 2012.

“Tiefs by Gavrieli,” http://m2.facebook.com/Tiefs?v=timeline&filter=2&timecutoff=1406427986&page=14§ionLoadingID=m_timeline_loading_div_1293868799_1263222800_8_14&timeend=1293868799×tart=1262332800&tm=AQDOvqhWQPN_Nbwm&refid=17,

4 pgs., Jan. 26, 2010.

“Mighty Life List, Sensible Shoes,” <http://mightygirl.com/2010/08/24/sensible-shoes/>, 10 pgs., Aug. 24, 2010.

“Find! Tiefs: Fab & sexy flats for fall,” <http://thefabmom.com/2013/08/29/find-tiefs-fab-sexy-flats-for-fall/>, 3 pgs. Aug. 29, 2013.

“Step into Tiefs,” <http://sliceofpink.typepad.com/blog/2010/09/tiefs-1.html>, 5 pgs., Sep. 22, 2010.

(56)

References Cited

OTHER PUBLICATIONS

“In Need of Flat-Soled Shoes,” <http://sliceofpink.typepad.com/blog/2010/09/tieks-1.html>, 7 pgs., Oct. 3, 2010.

* cited by examiner

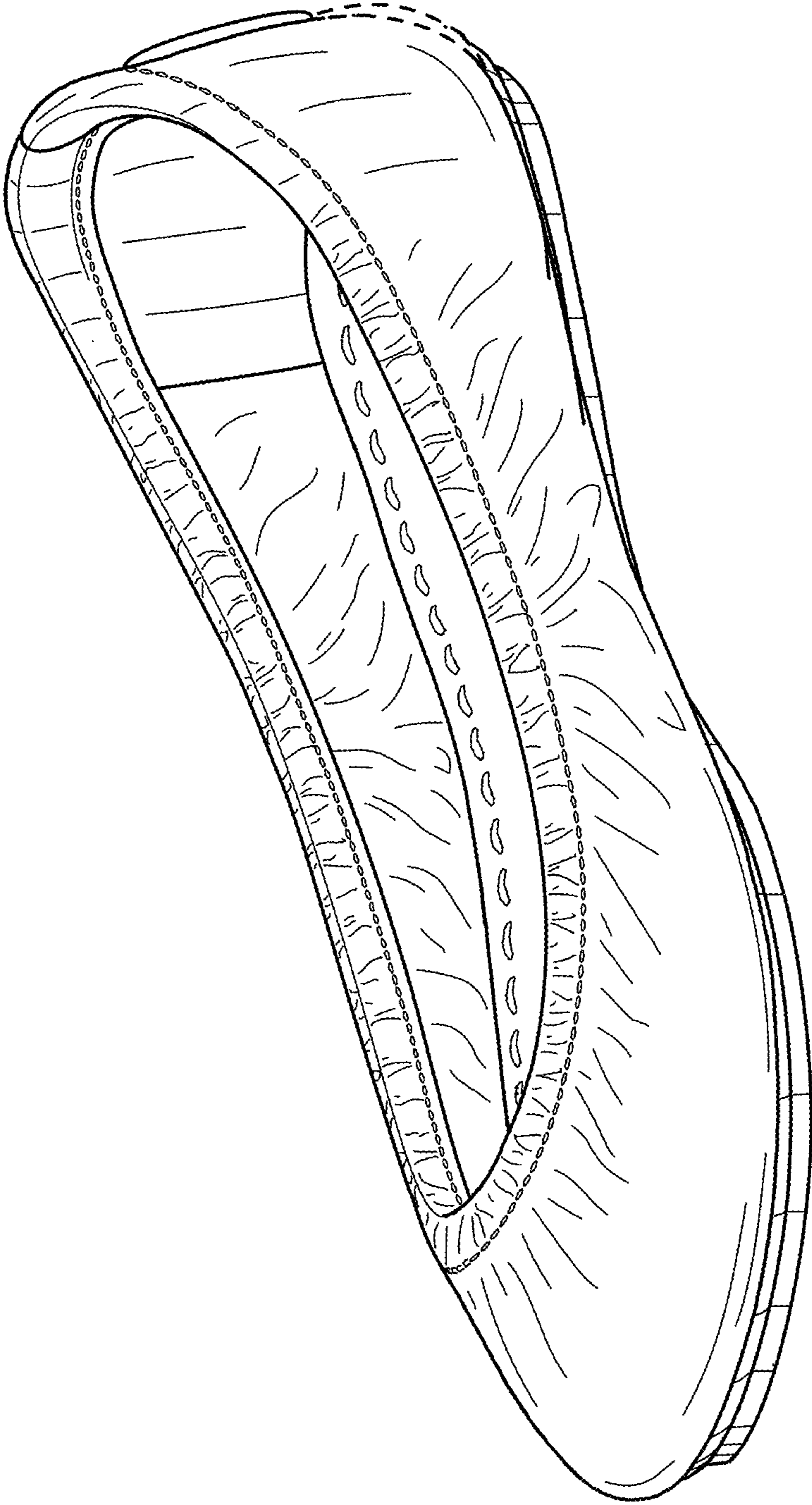


FIG. 1

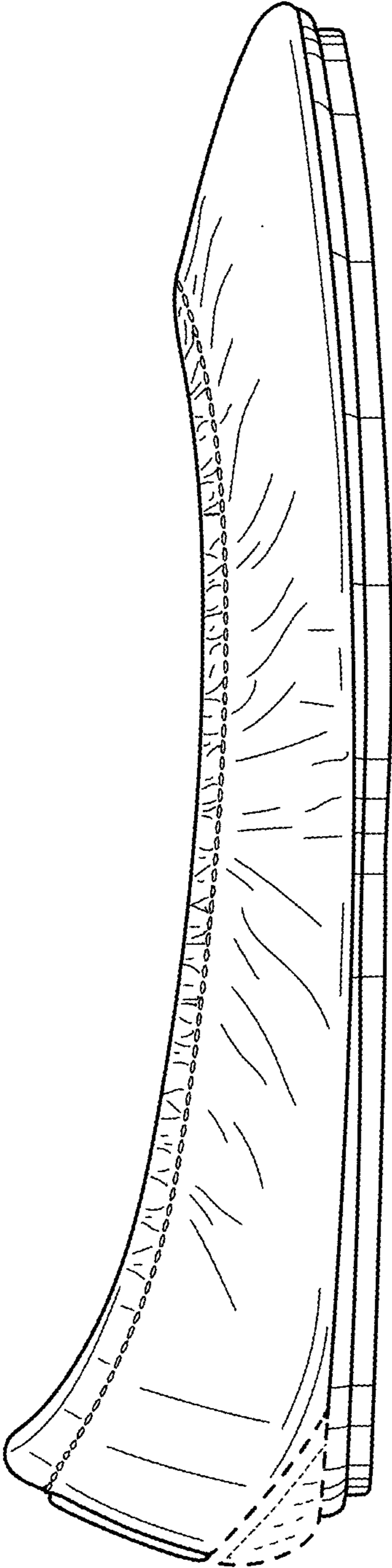


FIG. 2

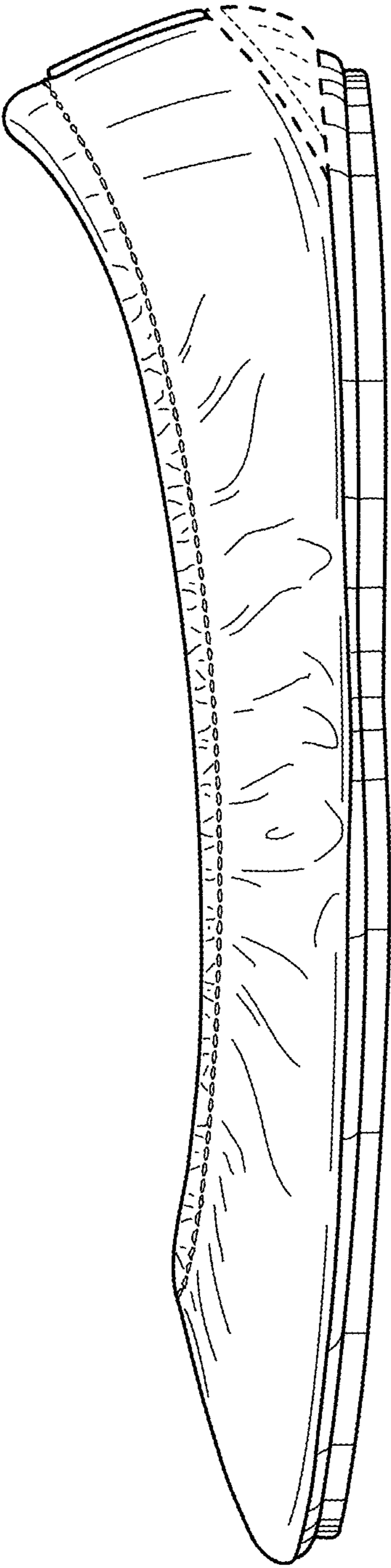


FIG. 3

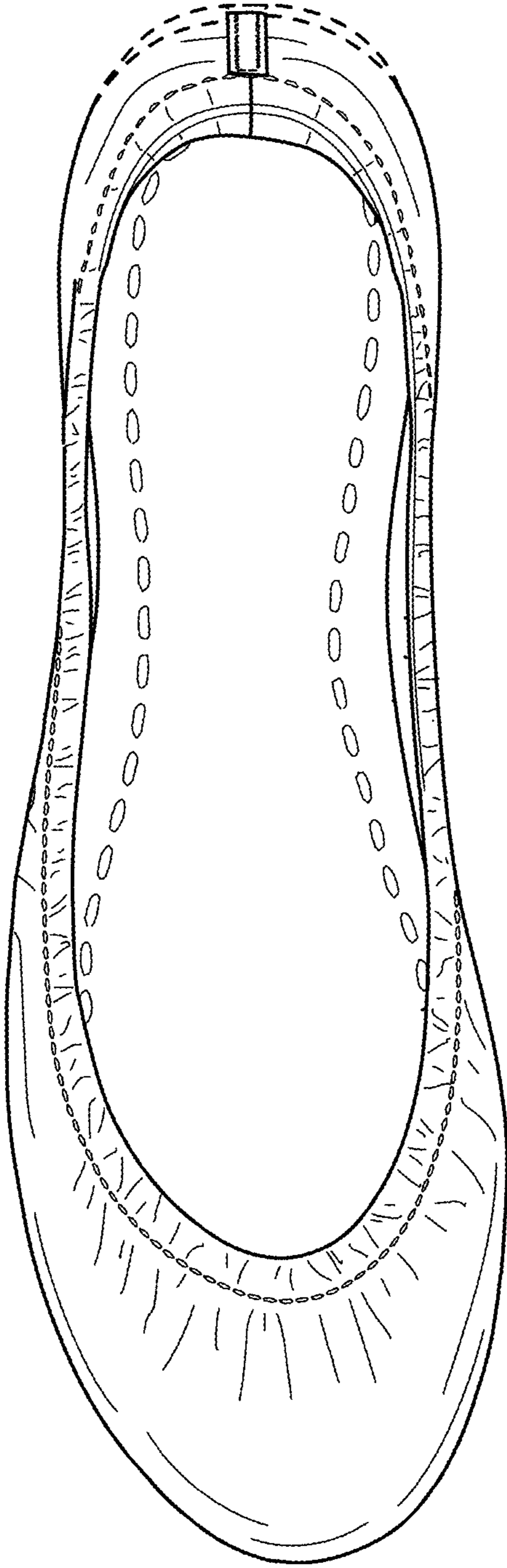


FIG. 4

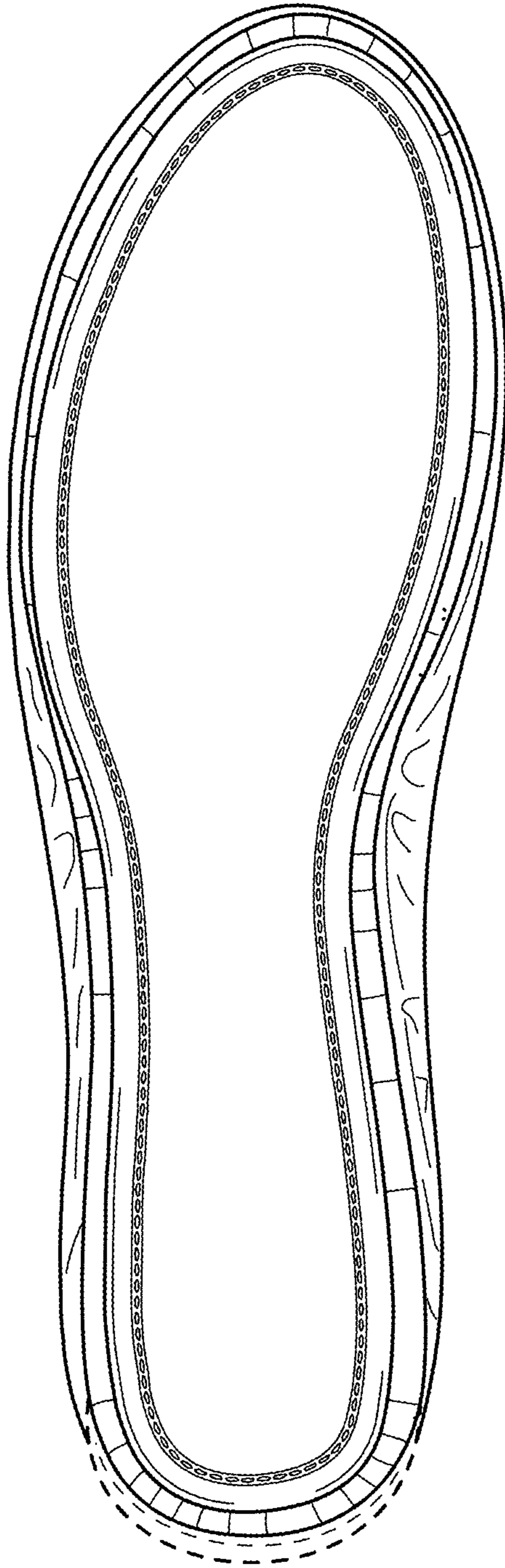


FIG. 5

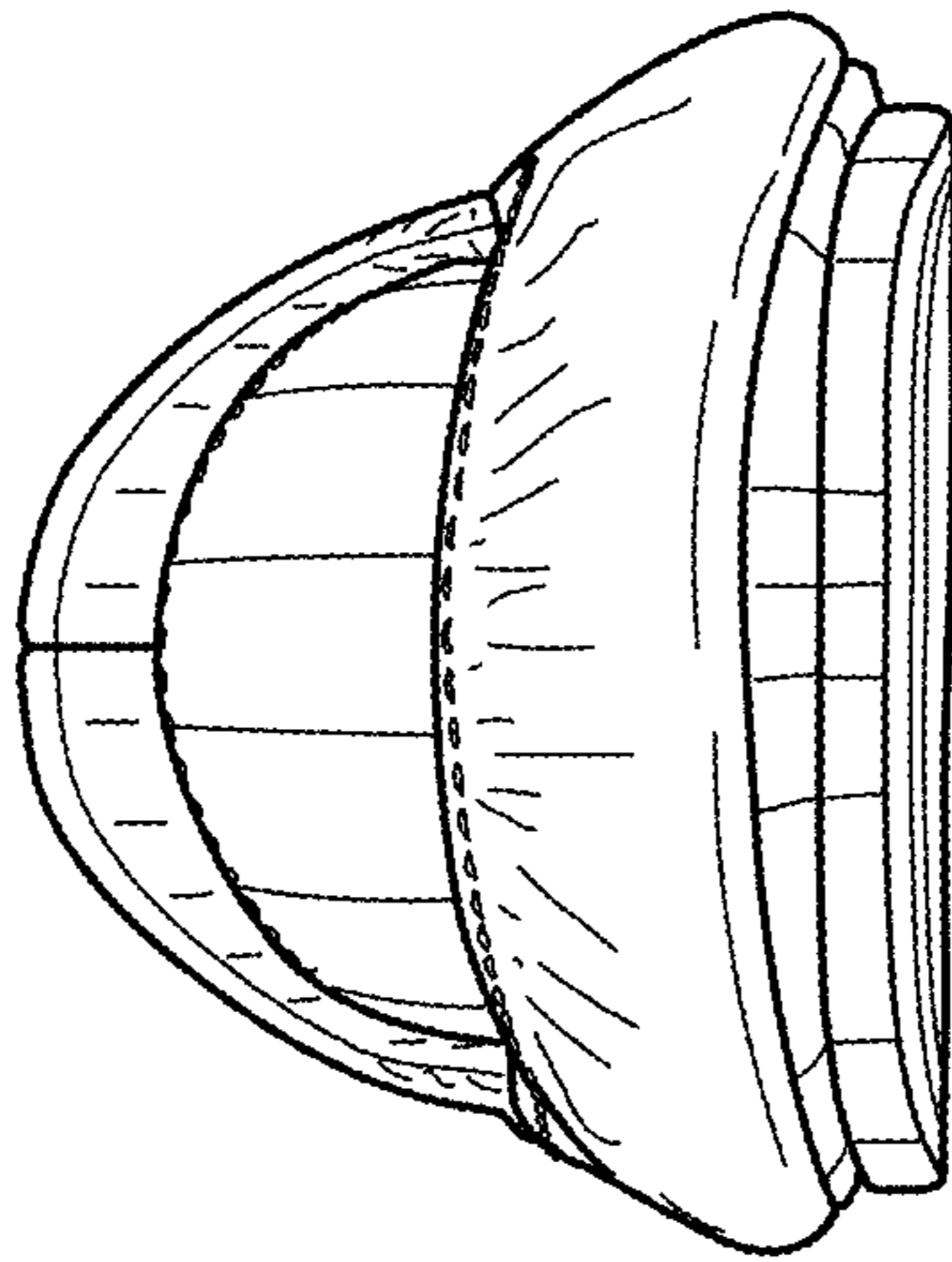


FIG. 6

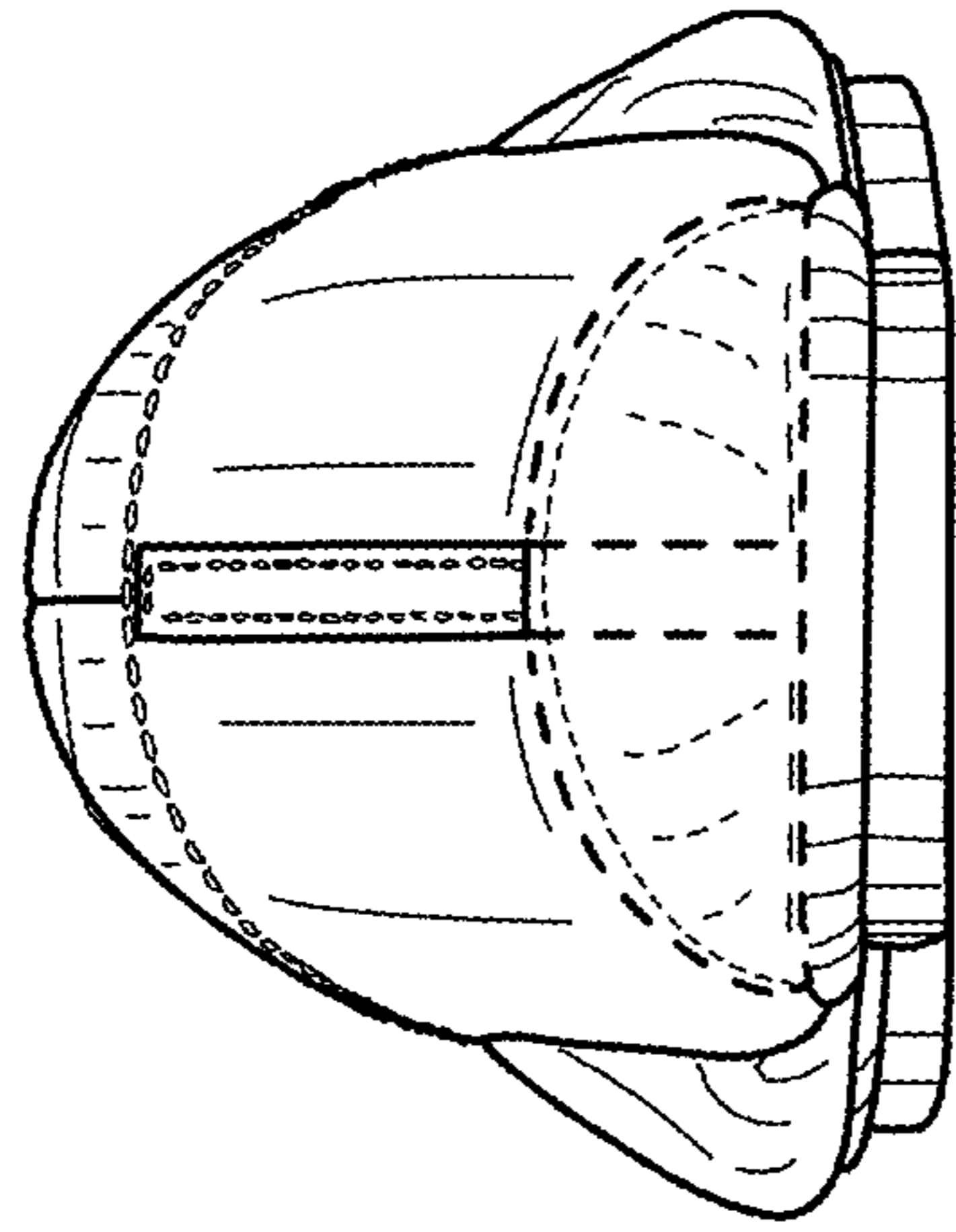


FIG. 7