



US00D779794S

(12) **United States Design Patent** (10) **Patent No.:** **US D779,794 S**
Engerman (45) **Date of Patent:** **** Feb. 28, 2017**

(54) **FOOTWEAR**
(71) Applicant: **CROCS, INC.**, Niwot, CO (US)
(72) Inventor: **Danielle Engerman**, Denver, CO (US)
(73) Assignee: **Crocs, Inc.**, Niwot, CO (US)
(**) Term: **14 Years**
(21) Appl. No.: **29/516,921**

D545,032 S 6/2007 Wolf
D545,033 S 6/2007 Wolf
D549,434 S * 8/2007 Seamans D2/969
D550,441 S * 9/2007 Seamans D2/969
D561,982 S 2/2008 Hoyt
(Continued)

FOREIGN PATENT DOCUMENTS

CN ZL200830004737 A 4/2009
CN ZL201130336894 A 7/2012
(Continued)

(22) Filed: **Feb. 6, 2015**
(51) **LOC (10) Cl.** **02-04**
(52) **U.S. Cl.**
USPC **D2/923**
(58) **Field of Classification Search**
USPC D2/896, 900, 916, 917, 923, 943,
D2/946-96, 969, 972; 36/45, 8, 100, 88,
36/102, 112, 113, 3 A, 3 R, 7.4, 11.5, 4,
36/87, 7.5, 25 R
CPC A43B 1/14; A43B 3/12; A43B 7/08;
A43B 7/06; A43B 13/30
See application file for complete search history.

OTHER PUBLICATIONS

Adidas Superstar 2.0 Shoes [online] retrieved on Oct. 9, 2013, retrieved from <http://www.adidas.com/us/product/mens-originals-superstar-20-shoes/EU021> (available prior to the filing date of the present application).

(Continued)

Primary Examiner — Ian Simmons
Assistant Examiner — Rashida C Walshon
(74) *Attorney, Agent, or Firm* — Wilmer Cutler Pickering Hale and Dorr LLP

(56) **References Cited**
U.S. PATENT DOCUMENTS

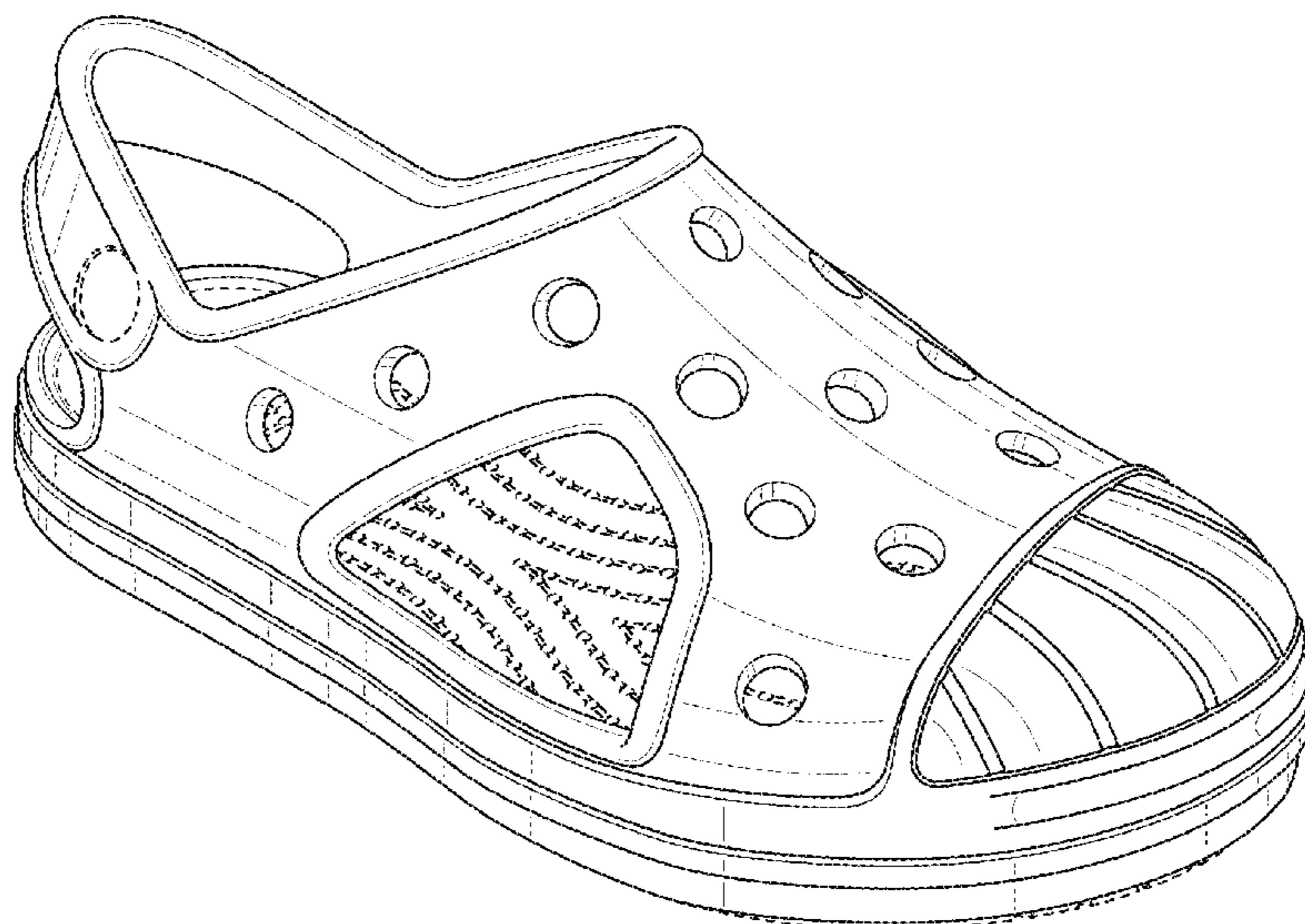
2,180,924 A * 11/1939 Dunbar A43B 1/02
36/14
D473,040 S 4/2003 Hawker et al.
D483,929 S * 12/2003 Tzenos D2/916
D490,219 S * 5/2004 Lu D2/903
D498,901 S 11/2004 Hawker et al.
6,993,858 B2 2/2006 Seamans
D517,788 S 3/2006 Seamans
D517,789 S 3/2006 Seamans
D517,790 S 3/2006 Seamans
D525,419 S 7/2006 Seamans
D529,263 S 10/2006 Wolf
7,146,751 B2 12/2006 Seamans
D535,088 S 1/2007 Seamans
D543,341 S 5/2007 Seamans
D543,681 S 6/2007 McCarthy

(57) **CLAIM**
The ornamental design for footwear, as shown and described.

DESCRIPTION

FIG. 1 is a front perspective view of footwear;
FIG. 2 is a front view thereof;
FIG. 3 is a back view thereof;
FIG. 4 is an outer side view thereof;
FIG. 5 is an inner side view thereof;
FIG. 6 is a top view thereof; and,
FIG. 7 is a bottom view thereof.
The portions of footwear shown in broken lines form no part of the claimed design.

1 Claim, 7 Drawing Sheets



(56)

References Cited

FOREIGN PATENT DOCUMENTS

U.S. PATENT DOCUMENTS

D563,082 S 3/2008 Seamans
 D564,204 S 3/2008 Seamans
 D564,205 S 3/2008 Seamans
 D564,206 S 3/2008 Seamans
 D564,207 S 3/2008 Seamans
 D564,208 S 3/2008 Seamans
 D564,749 S 3/2008 Seamans
 D567,482 S 4/2008 Hoyt
 D567,483 S 4/2008 Liow
 D573,778 S 7/2008 Hawker
 D575,034 S * 8/2008 Hoyt D2/896
 D575,499 S * 8/2008 Seamans D2/972
 D575,937 S 9/2008 Klavano
 D575,943 S 9/2008 Del Biondi et al.
 D578,743 S 10/2008 Liow
 D579,182 S 10/2008 Klavano
 D579,651 S 11/2008 Hearn
 D584,032 S 1/2009 Jarosik
 D584,037 S 1/2009 Del Biondi et al.
 D590,588 S 4/2009 Del Biondi et al.
 D593,287 S 6/2009 Del Biondi et al.
 D599,538 S 9/2009 Del Biondi et al.
 D600,907 S 9/2009 Boyd et al.
 D610,784 S 3/2010 Del Biondi
 D624,733 S 10/2010 O'Boyle et al.
 D632,465 S 2/2011 Del Biondi et al.
 D637,382 S 5/2011 Bathum
 D648,926 S * 11/2011 Glazer D2/896
 D651,387 S 1/2012 Van Zyll De Jong et al.
 D651,388 S 1/2012 Van Zyll De Jong et al.
 D651,390 S 1/2012 Van Zyll De Jong et al.
 D653,020 S 1/2012 Van Zyll De Jong et al.
 D659,953 S 5/2012 Van Zyll De Jong et al.
 D667,612 S 9/2012 Del Biondi et al.
 D675,418 S 2/2013 Van Zyll De Jong et al.
 D677,865 S 3/2013 Van Zyll De Jong et al.
 D691,351 S 10/2013 Pugazhenth
 D698,131 S 1/2014 Del Biondi et al.
 D698,133 S 1/2014 Callegarini et al.
 D698,531 S 2/2014 Lock et al.
 D708,827 S 7/2014 Kue
 2002/0124434 A1 * 9/2002 Hsin A43B 13/30
 36/11.5
 2004/0231189 A1 11/2004 Seamans
 2004/0231190 A1 11/2004 Seamans
 2004/0231191 A1 11/2004 Seamans
 2006/0048407 A1 3/2006 Seamans
 2007/0130797 A1 6/2007 Seamans

CN ZL201330192247 A 11/2013
 CN ZL2014300215108 A 6/2014
 EM 0000611220001 A 8/2003
 GB 2322286 A 8/1998
 WO 2004105531 A1 12/2004
 WO WO2004105534 A2 12/2004

OTHER PUBLICATIONS

Buddy by Calzuro: A New Born in the Calzuro's Family, <http://www.calzuro.it/news.php?lang=en&id=20> (May 13, 2009) (6 pages).
 Crocs: Cayman, <http://www.crocs.com/crocs-cayman/10001.default.pd.html?q=cayman> (Nov. 3, 2009) (6 pages).
 Design U.S. Appl. No. 29/450,686, entitled Footwear, filed Mar. 20, 2013.
 Design U.S. Appl. No. 29/461,361 entitled Footwear, filed Jul. 22, 2013.
 Design U.S. Appl. No. 29/461,362, entitled Footwear, filed Jul. 22, 2013.
 Design U.S. Appl. No. 29/477,445, entitled Footwear, filed Dec. 21, 2013.
 Design U.S. Appl. No. 29/478,891, entitled Footwear, filed Jan. 9, 2014.
 Design U.S. Appl. No. 29/479,967 entitled Footwear, filed Jan. 22, 2014.
 Design U.S. Appl. No. 29/485,886 entitled Footwear, filed Mar. 24, 2014.
 Design U.S. Appl. No. 29/502,839, entitled Footwear, filed Sep. 19, 2014.
 Design U.S. Appl. No. 29/502,892, entitled Footwear, filed Sep. 19, 2014.
 Design U.S. Appl. No. 29/502,893, entitled Footwear, filed Sep. 19, 2014.
 Design U.S. Appl. No. 29/502,896, entitled Footwear, filed Sep. 19, 2014.
 Design U.S. Appl. No. 29/502,897, entitled Footwear, filed Sep. 19, 2014.
 Design U.S. Appl. No. 29/516,918 entitled Footwear filed Feb. 6, 2015.
 Design U.S. Appl. No. 29/516,922 entitled Footwear filed Feb. 6, 2015.
 Design U.S. Appl. No. 29/477,443 entitled Footwear filed Dec. 21, 2013.
 Design U.S. Appl. No. 29/516,919 entitled Footwear filed Feb. 6, 2015.

* cited by examiner

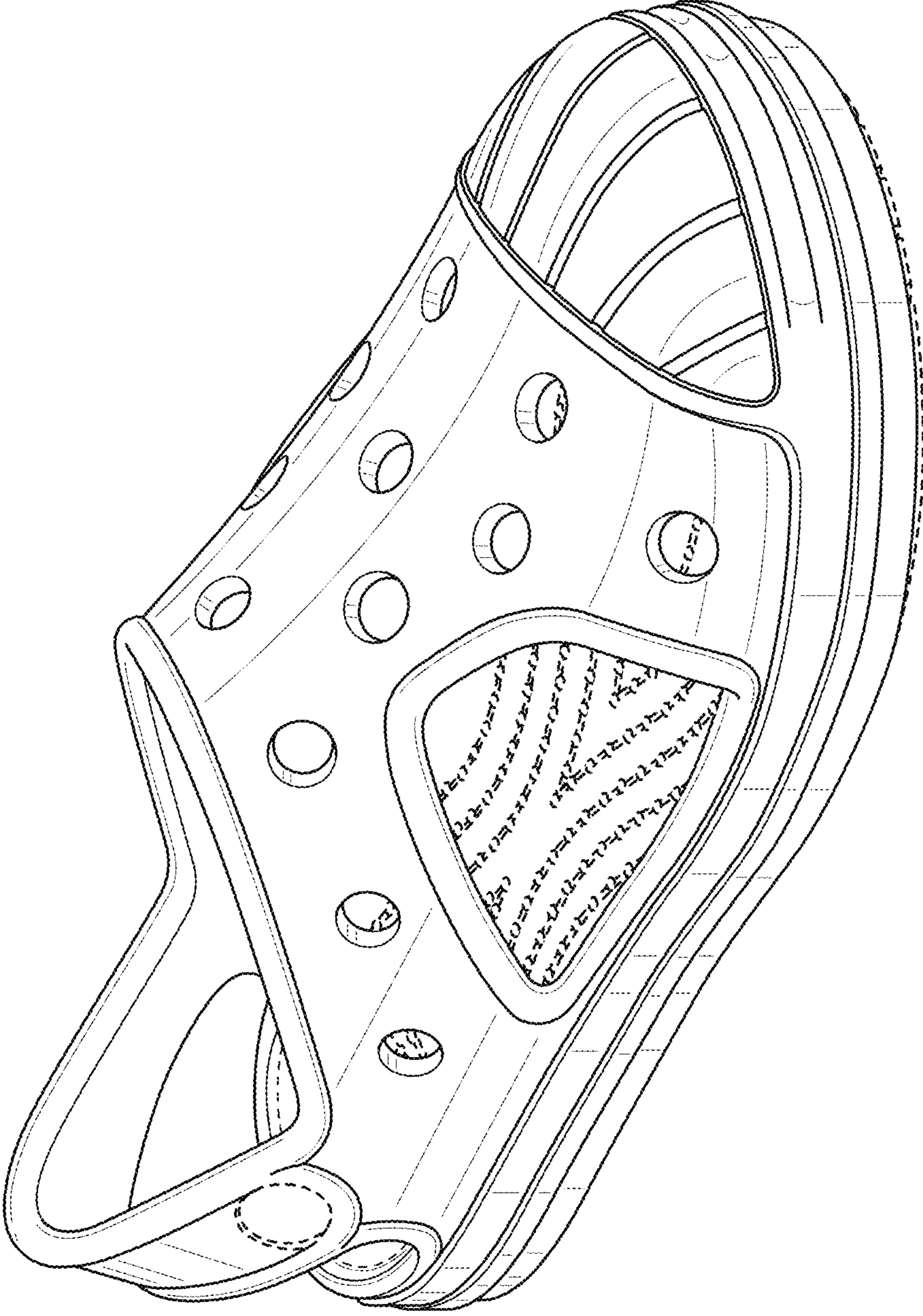


FIG. 1

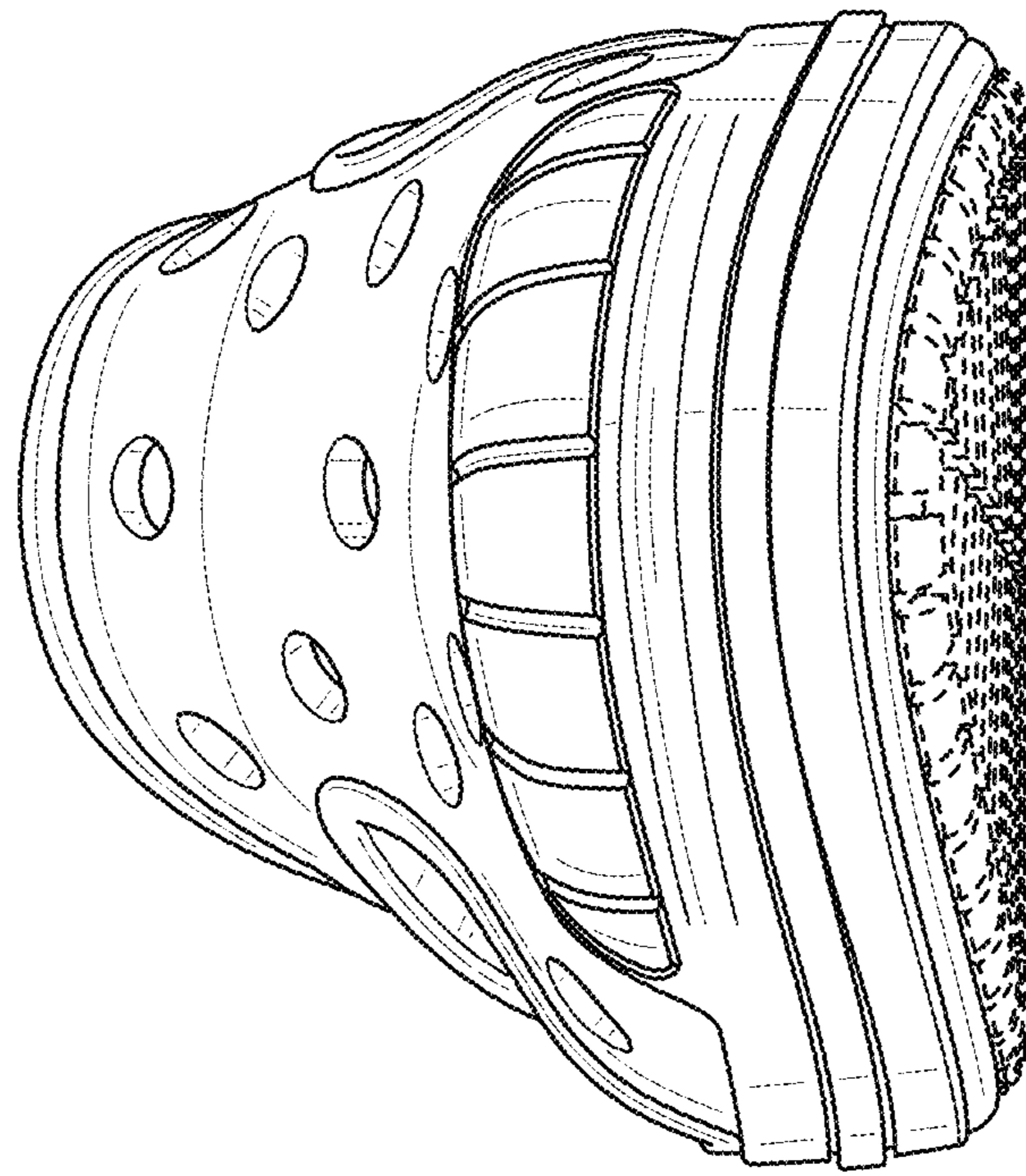


FIG. 2

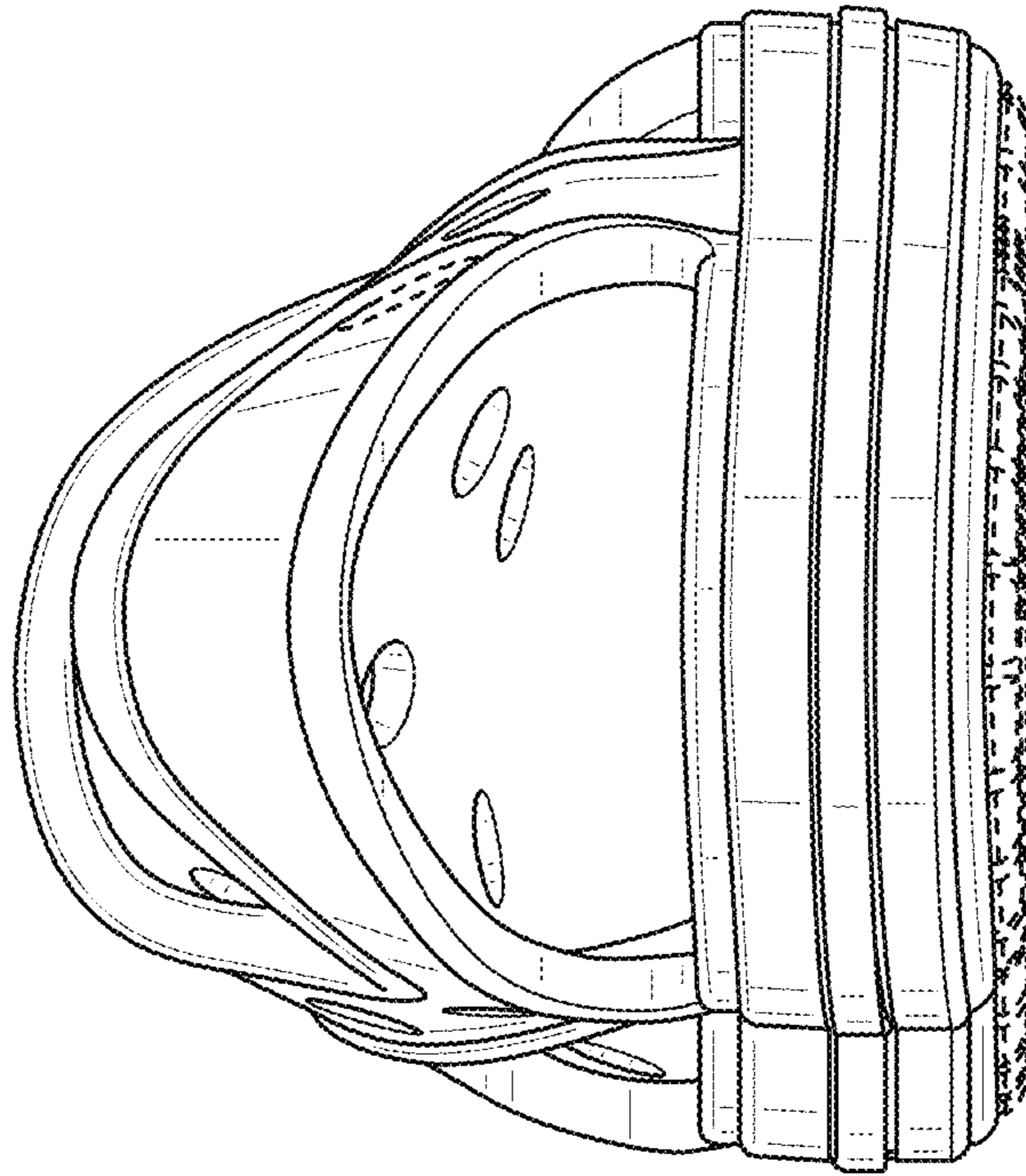


FIG. 3

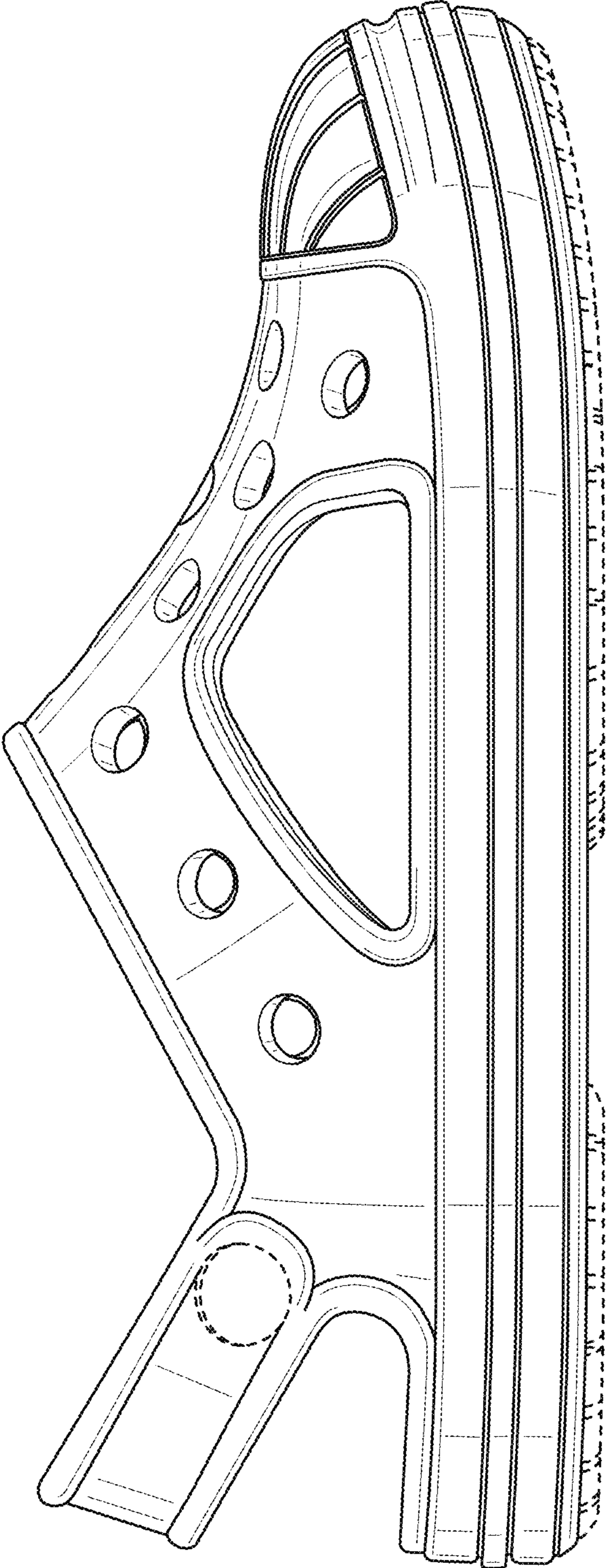


FIG. 4

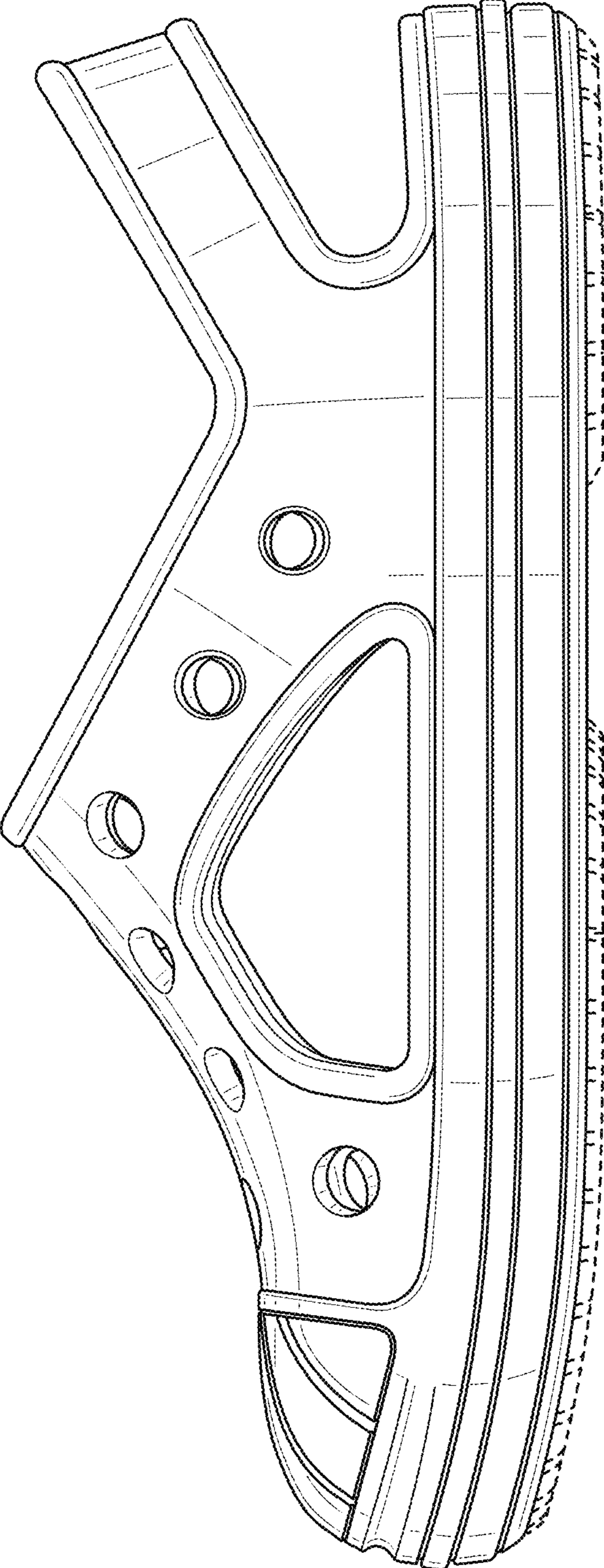


FIG. 5

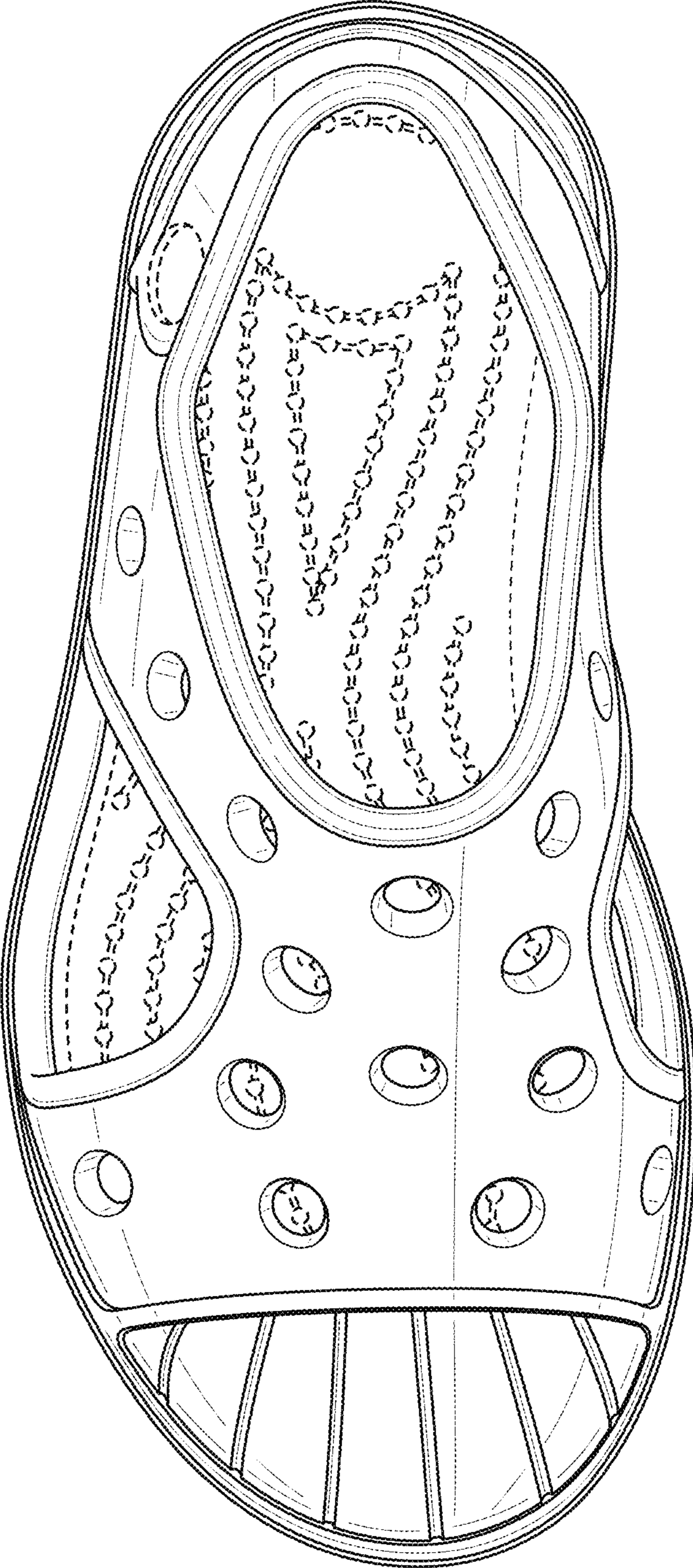


FIG. 6

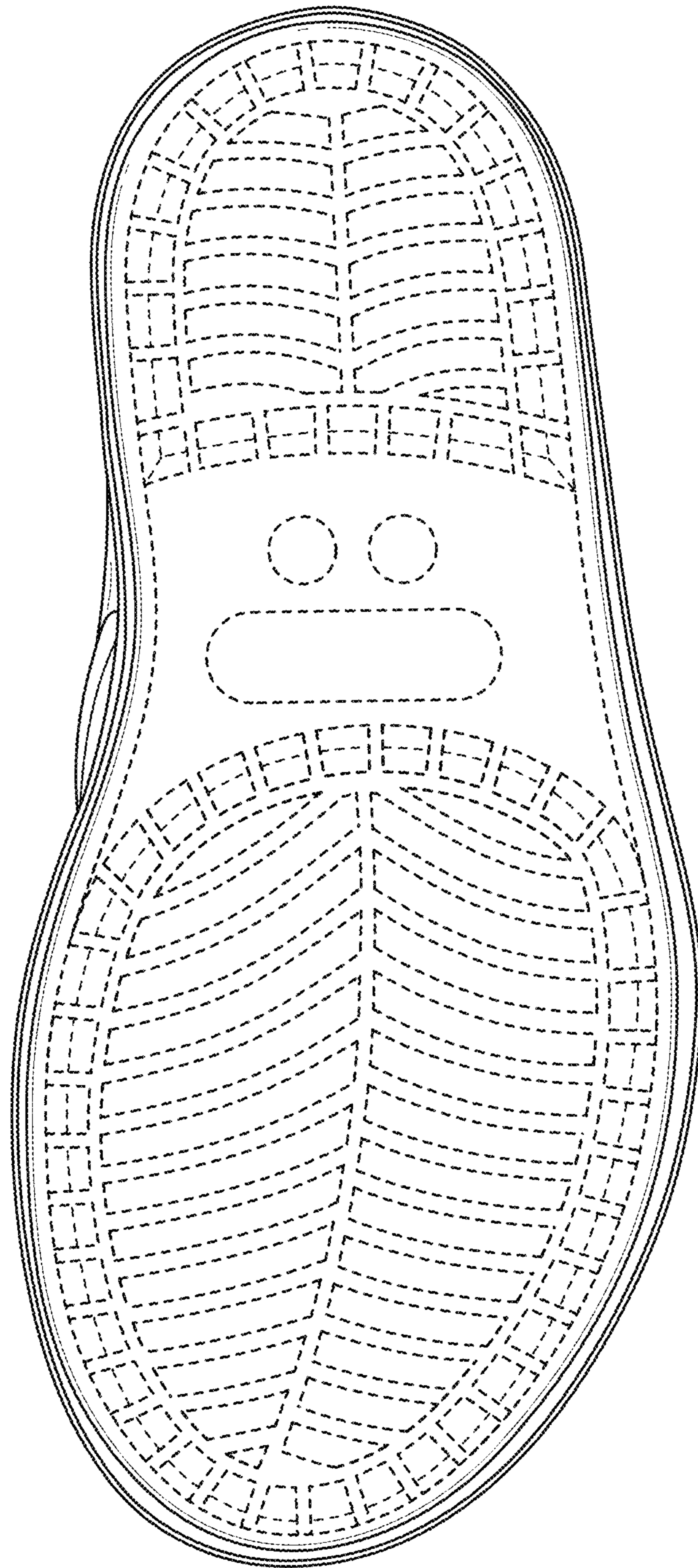


FIG. 7