



US00D779790S

(12) **United States Design Patent**
Valverde

(10) **Patent No.:** **US D779,790 S**

(45) **Date of Patent:** **** Feb. 28, 2017**

(54) **CAP SHADE EXTENDER**

(71) Applicant: **Eduardo Valverde**, Boca Raton, FL
(US)

(72) Inventor: **Eduardo Valverde**, Boca Raton, FL
(US)

(**) Term: **14 Years**

(21) Appl. No.: **29/516,561**

(22) Filed: **Feb. 4, 2015**

(51) **LOC (10) Cl.** **02-03**

(52) **U.S. Cl.**
USPC **D2/891**

(58) **Field of Classification Search**
USPC D2/865, 866, 868, 869, 871, 872,
873,D2/875, 876, 878, 879, 882, 886,
891, 892,D2/893; D29/104, 109, 122, 129
CPC A42B 1/00; A42B 1/002; A42B 1/004;
A42B 1/006; A42B 1/062; A42B
1/06; A42B 1/063; A42B 1/064; A42B
1/065; A42B 1/18

See application file for complete search history.

(56) **References Cited**

U.S. PATENT DOCUMENTS

D276,380 S * 11/1984 Hellberg D16/334
D360,708 S * 7/1995 Palmaer D29/104
D419,281 S * 1/2000 Croft D2/865
D455,523 S * 4/2002 Yungblut D29/122
D518,626 S * 4/2006 Peterson D2/882
D528,744 S * 9/2006 Nelson D2/882

D553,331 S * 10/2007 Henson D2/869
D631,640 S * 2/2011 van Aanholt D2/882
D683,501 S * 5/2013 Klotz D29/109
2007/0283482 A1* 12/2007 Lawrence A42B 1/002
2/209.12
2013/0125292 A1* 5/2013 Weaver A42B 1/006
2/209.13
2015/0090746 A1* 4/2015 Quinones A42B 1/063
223/12
2015/0113708 A1* 4/2015 Hill A42B 1/063
2/244

* cited by examiner

Primary Examiner — Karen E. Eldridge Powers

Assistant Examiner — Jasmine Mlinarcik

(74) *Attorney, Agent, or Firm* — Christian Sanchelima

(57) **CLAIM**

The ornamental design for a cap shade extender, as shown and described.

DESCRIPTION

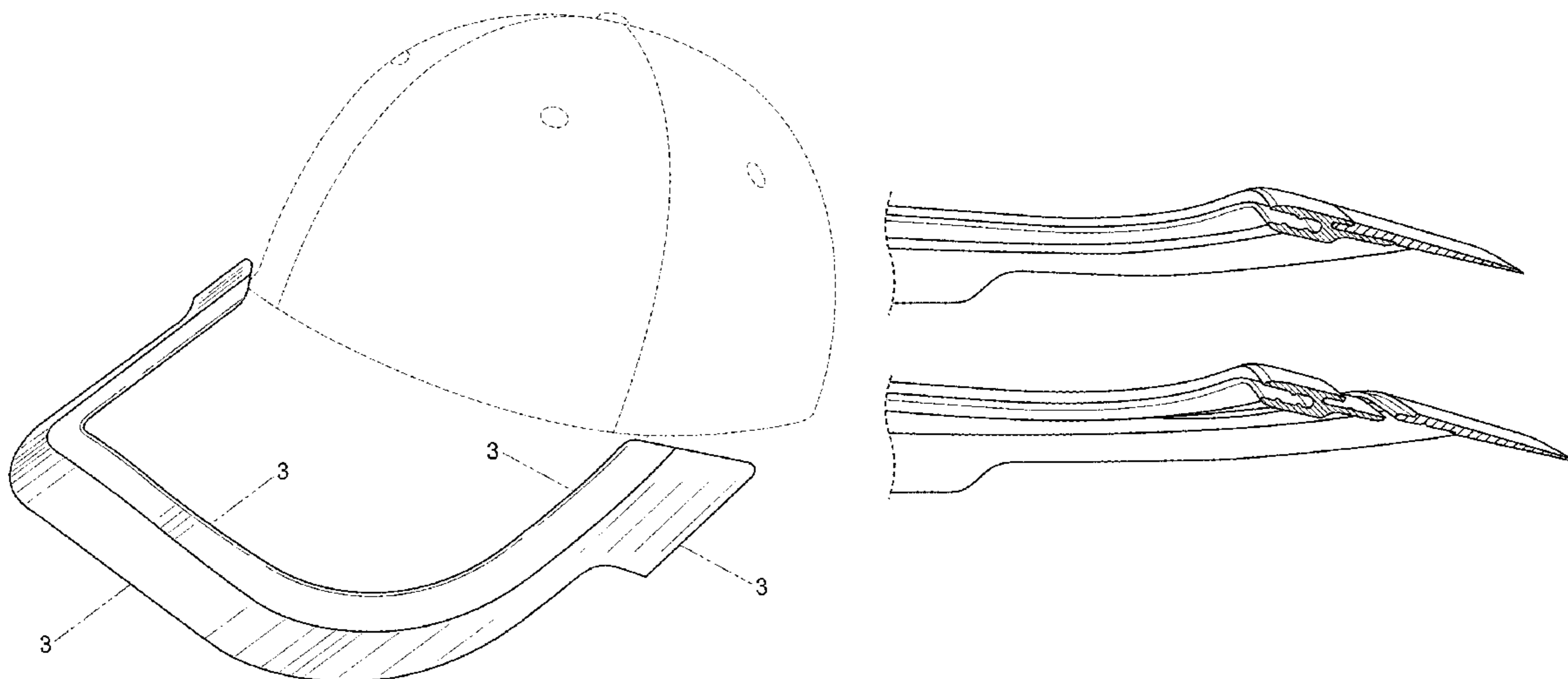
FIG. 1 is a top isometric view of a cap shade extender showing the connector and shading portion of the cap shade extender in a joined configuration;

FIG. 2 is a right side elevation view of the cap shade extender in a separated configuration; and,

FIG. 3 is a cross-sectional view taken from the lines 3-3 denoted in FIG. 1, shown in a separated configuration.

The portions of the cap illustrated by broken lines represents environmental structure that forms no part of the claimed design. The dash-dot-dash broken lines shown in FIG. 1 portrays the bounds of the enlarged detail view of FIG. 3.

1 Claim, 2 Drawing Sheets



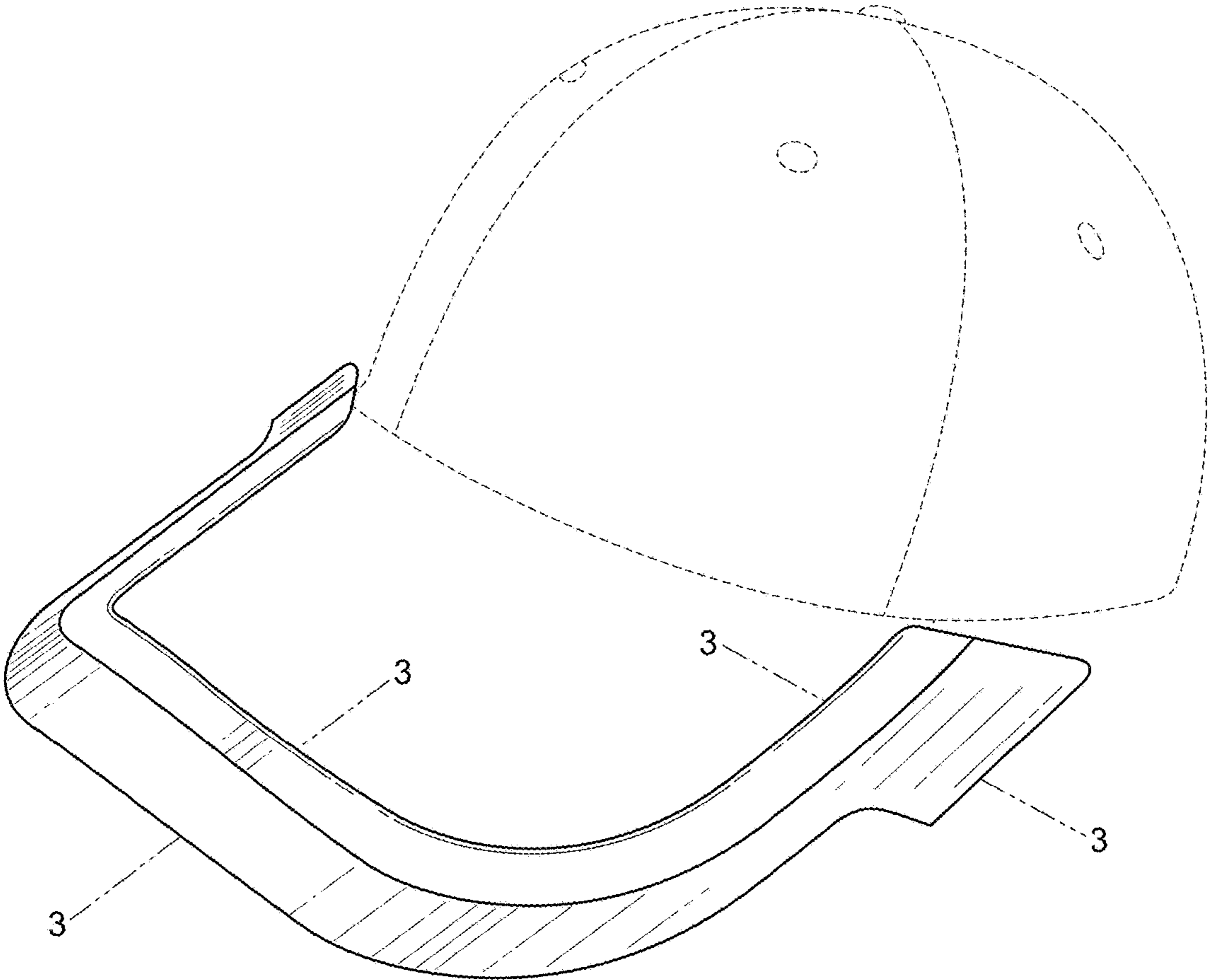


FIG. 1

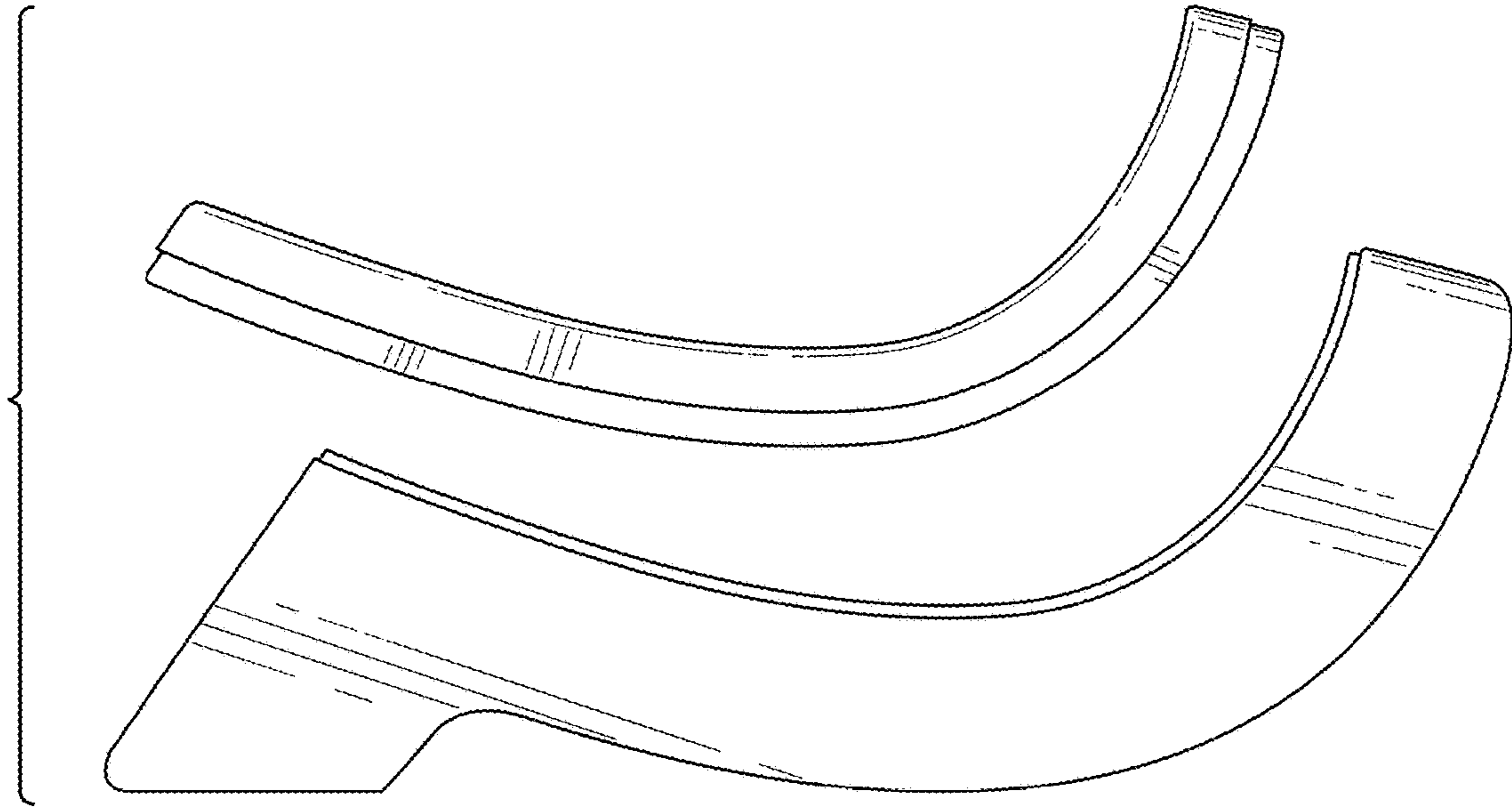


FIG. 2

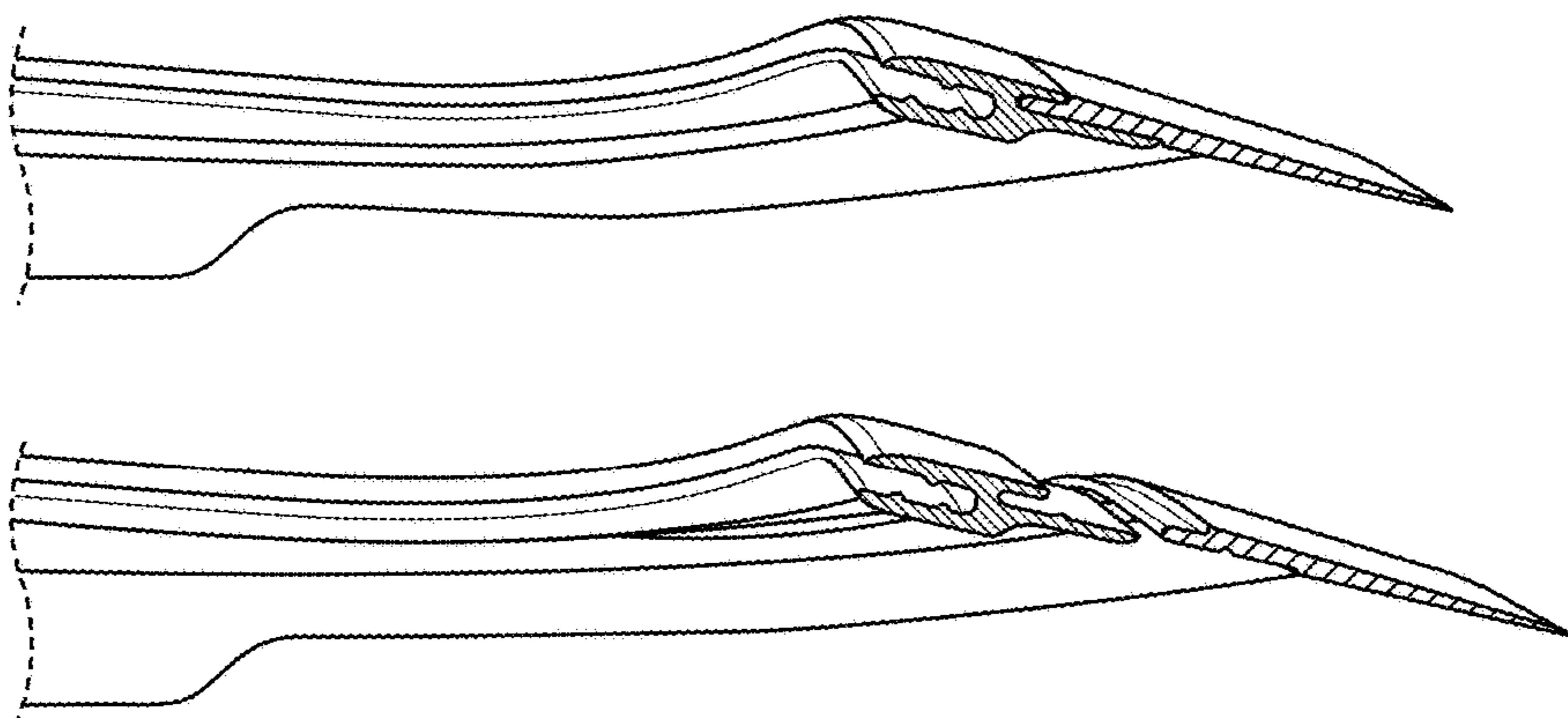


FIG. 3

UNITED STATES PATENT AND TRADEMARK OFFICE
CERTIFICATE OF CORRECTION

PATENT NO. : D779,790 S
APPLICATION NO. : 29/516561
DATED : February 28, 2017
INVENTOR(S) : Eddy Valverde

Page 1 of 1

It is certified that error appears in the above-identified patent and that said Letters Patent is hereby corrected as shown below:

On the Title Page

The correct spelling of the inventor's name is Eddy Valverde.

Signed and Sealed this
Nineteenth Day of September, 2017



Joseph Matal
*Performing the Functions and Duties of the
Under Secretary of Commerce for Intellectual Property and
Director of the United States Patent and Trademark Office*