



US00D779780S

(12) **United States Design Patent** (10) **Patent No.:** **US D779,780 S**
Bowers (45) **Date of Patent:** **** Feb. 28, 2017**

- (54) **NECKWEAR**
- (71) Applicant: **Tiffany Leina Bowers**, Glendale, AZ (US)
- (72) Inventor: **Tiffany Leina Bowers**, Glendale, AZ (US)
- (**) Term: **14 Years**
- (21) Appl. No.: **29/474,961**
- (22) Filed: **Apr. 30, 2015**
- (51) **LOC (10) Cl.** **02-05**
- (52) **U.S. Cl.**
USPC **D2/605**
- (58) **Field of Classification Search**
USPC D2/500, 501, 508, 600, 601, 602, 603, D2/604, 605, 606, 607, 608, 609, 853; 2/46, 2/127, 130, 144, 145, 146, 147, 2/148, 149, 150, 151, 152.1, 153, 154, 2/155, 156, 157
CPC A41B 3/00; A41B 3/04; A41B 3/12; A41B 3/14; A41B 3/16; A41D 23/00; A41D 25/00; A41D 25/001; A41D 25/003; A41D 25/005; A41D 25/006; A41D 25/008; A41D 25/02; A41D 25/022; A41D 25/025; A41D 25/027; A41D 25/04; A41D 25/06; A41D 25/08; A41D 25/10; A41D 25/12; A41D 25/14; A41D 25/16
See application file for complete search history.

D35,309 S *	11/1901	Mayer	D2/605
D36,884 S *	4/1904	Schweriner	D2/604
D65,525 S *	9/1924	Friedman	D2/605
D110,514 S *	7/1938	Breuss	D2/603
D149,423 S *	4/1948	Kohn	D2/603
2,523,130 A *	9/1950	Manfred	A41D 25/00 2/144
2,598,539 A *	5/1952	Heim	A41D 25/00 2/130
D232,986 S *	10/1974	Beck	2/144
D244,061 S *	4/1977	Haines, Sr.	D2/605
D309,212 S *	7/1990	Maletsky	D2/605
D311,638 S *	10/1990	Bungert-Chen	D2/605
D349,597 S *	8/1994	Bethel	D2/608
D381,786 S *	8/1997	Arakawa	D2/605
D439,724 S *	4/2001	Griffith	D2/605
D623,827 S *	9/2010	Pauling	D2/605
D692,567 S *	10/2013	Ross	D24/191
D728,194 S *	5/2015	Smith	D2/602
2016/0135524 A1 *	5/2016	Speer	A41D 25/006 2/145

* cited by examiner

Primary Examiner — Karen E. Eldridge Powers
Assistant Examiner — Jasmine Mlinarcik

(57) **CLAIM**

The ornamental design for a neckwear, as shown and described.

DESCRIPTION

FIG. 1 is a front elevation view of a neckwear; FIG. 2 is a rear elevation view thereof; and, FIG. 3 is a perspective view thereof, shown while in use. The broken lines within the claimed design represent environmental structure that forms no part of the claimed design. The partial human figure represents how the claimed design may appear when worn and forms no part of the claimed design. The broken lines shown on the back of the diamond-shaped portion of the neckwear in FIG. 2 define the bounds of the claim and form no part of the design.

1 Claim, 3 Drawing Sheets

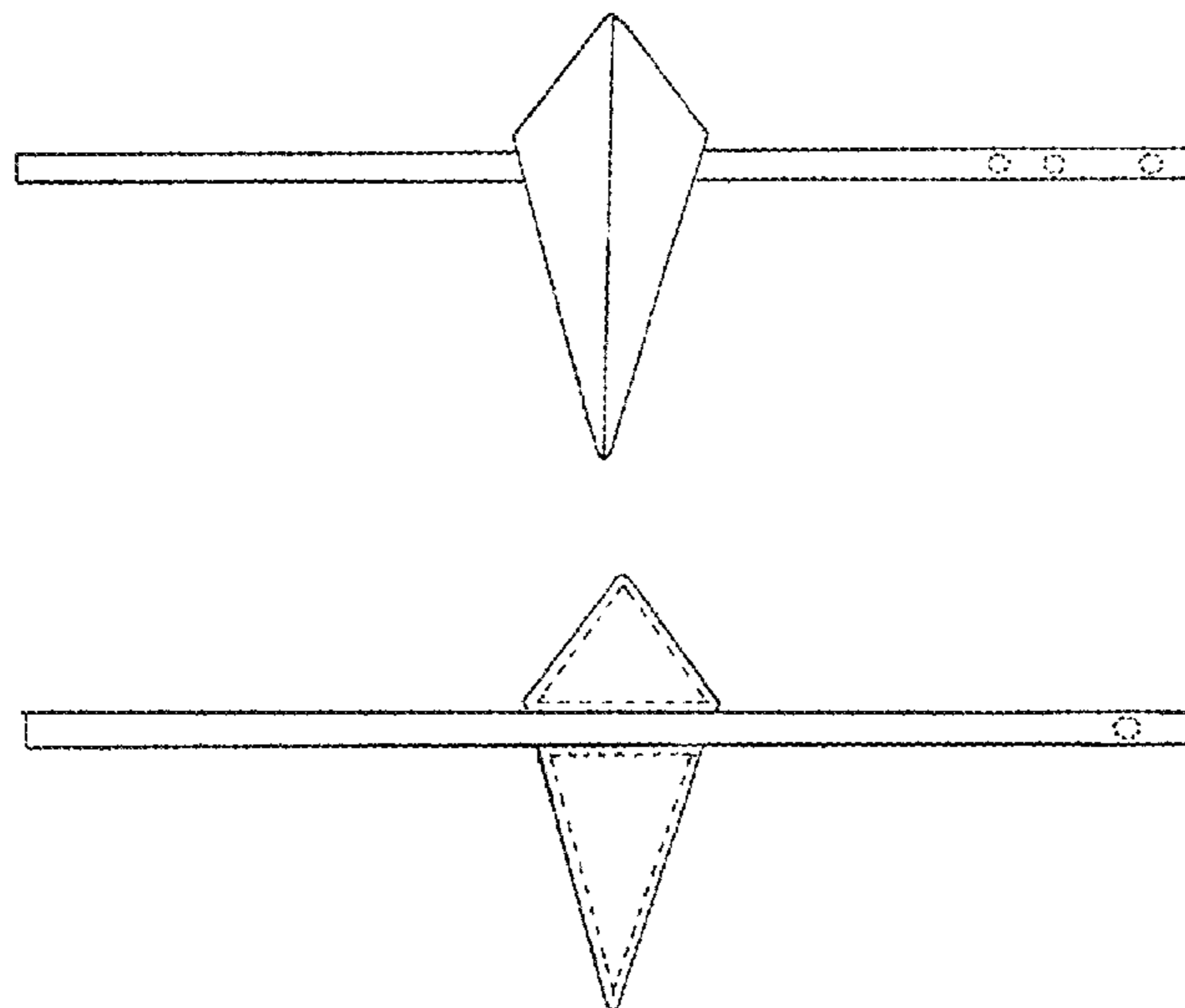


FIG. 1

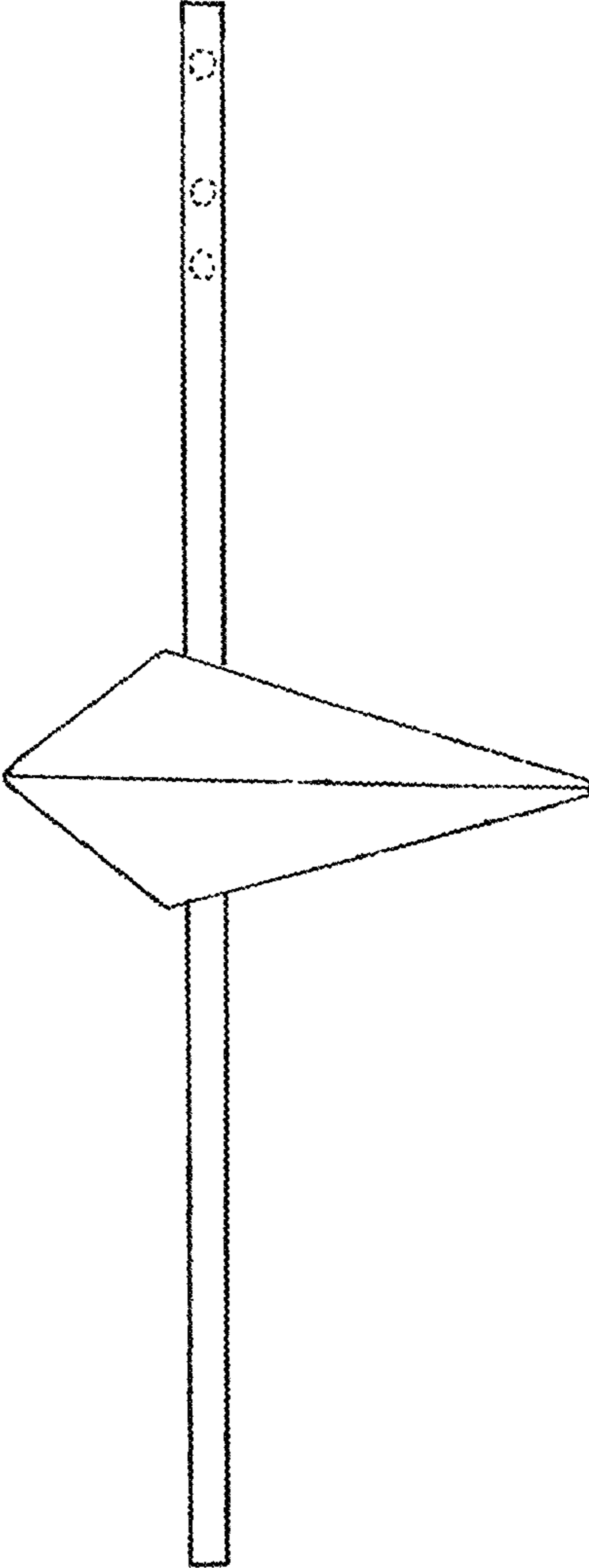
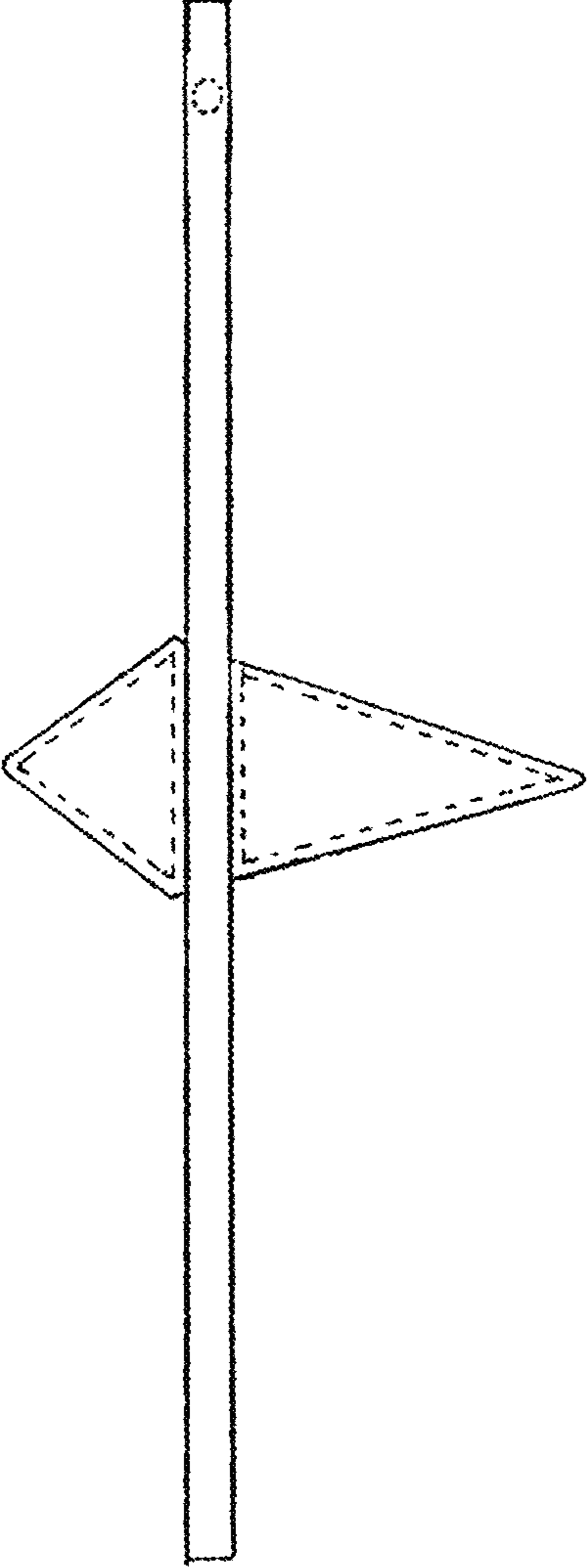


FIG. 2



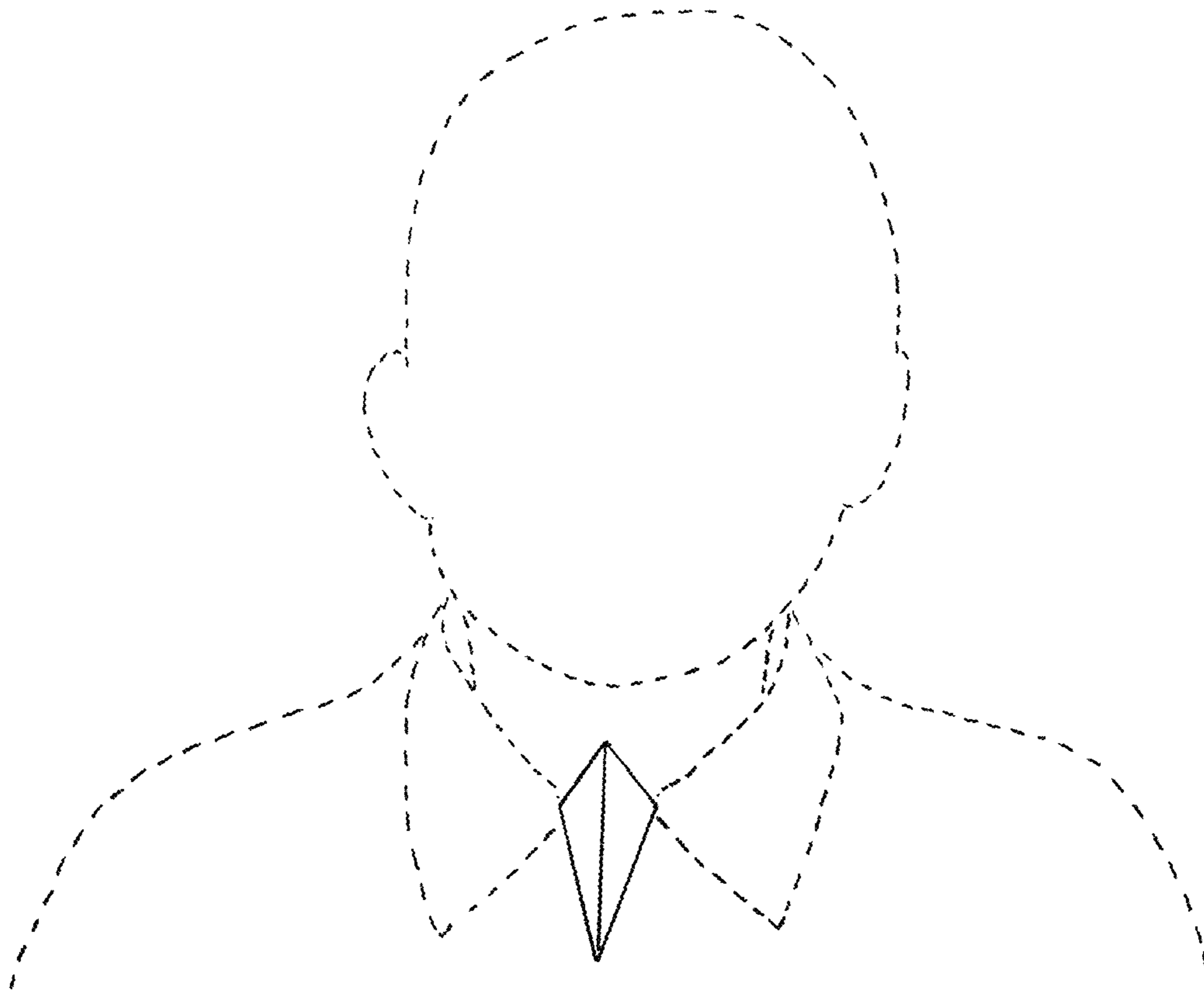


FIG. 3