



US00D779775S

(12) **United States Design Patent**
Berman

(10) **Patent No.:** **US D779,775 S**

(45) **Date of Patent:** **** Feb. 28, 2017**

(54) **EDIBLE ICE CREAM CONE WITH DRIP GUTTER AND RETURN APERTURES**

(71) Applicant: **Len Berman**, Santa Barbara, CA (US)

(72) Inventor: **Len Berman**, Santa Barbara, CA (US)

(**) Term: **15 Years**

(21) Appl. No.: **29/570,870**

(22) Filed: **Jul. 12, 2016**

(51) **LOC (10) Cl.** **01-01**

(52) **U.S. Cl.**

USPC **D1/116; D1/130**

(58) **Field of Classification Search**

USPC D1/100–130, 199; 426/104, 115, 121, 426/129, 130, 144, 249, 274, 303, 414, 426/420; D21/386, 401, 722; D6/597; D7/507, 675, 400; 220/574; 29/428; D8/71; D24/122

CPC A23G 9/503; A23G 9/48; A23G 9/282; A23G 9/285; A23G 3/2023; A23L 1/0067; A21D 2/36; A21D 13/0029

See application file for complete search history.

(56) **References Cited**

U.S. PATENT DOCUMENTS

D56,386 S * 10/1920 Shapiro D1/118
D94,500 S * 2/1935 Leaf D1/118
D113,736 S * 3/1939 Franke D1/118

2,248,448 A * 7/1941 Chester A23G 9/506
426/139
D131,221 S * 1/1942 Hamwi D1/118
2,281,217 A * 4/1942 Turnbull A23G 9/506
426/139
D153,354 S * 4/1949 Heyman D1/118
D153,394 S * 4/1949 Reineke D1/118
D157,047 S * 1/1950 Heyman D1/118
D307,660 S * 5/1990 Kim D1/118
D372,792 S * 8/1996 Haas D1/118
D414,590 S * 10/1999 Cole 426/139
D690,076 S * 9/2013 LeStage D1/105

* cited by examiner

Primary Examiner — Garth Rademaker

Assistant Examiner — Katie Stofko Mroczka

(74) *Attorney, Agent, or Firm* — Sandy Lipkin

(57) **CLAIM**

The ornamental design for an edible ice cream cone with drip gutter and return apertures, as shown and described.

DESCRIPTION

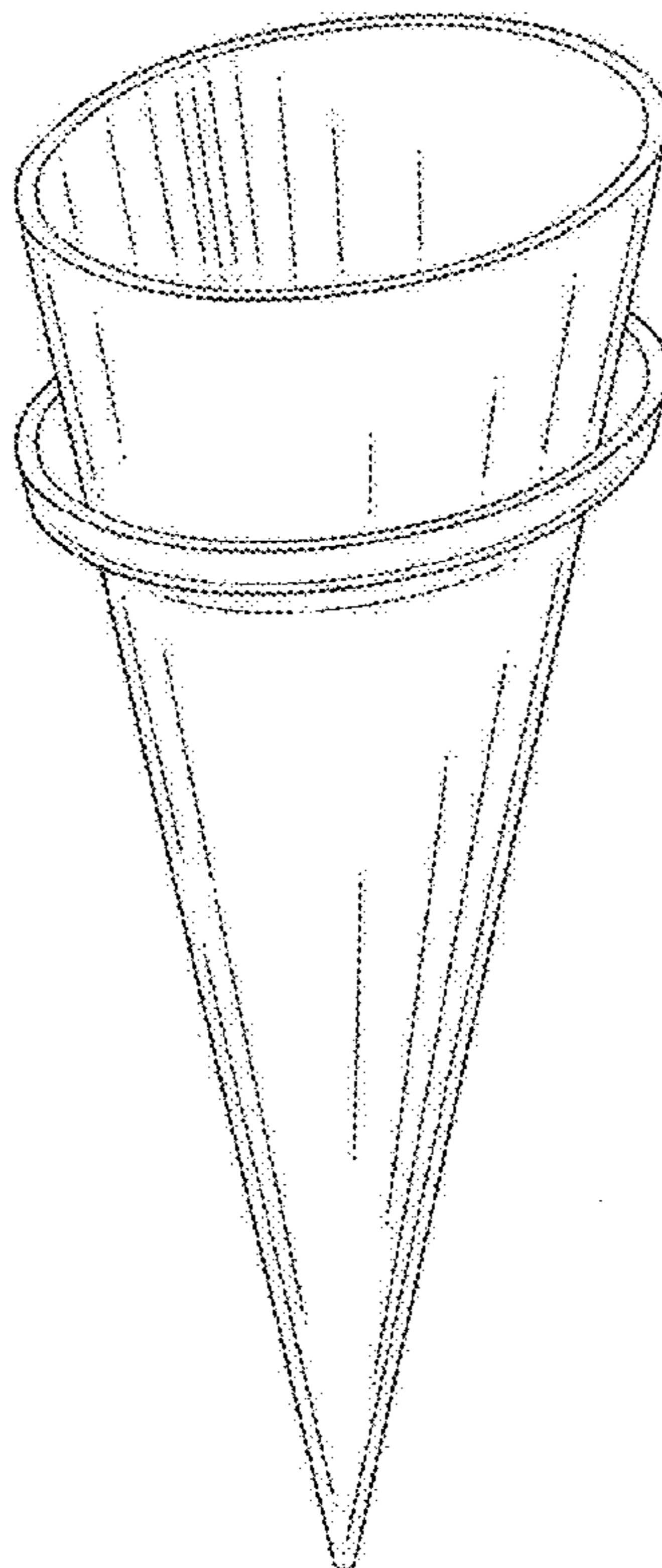
FIG. 1 is a perspective view of an edible ice cream cone with drip gutter and return apertures.

FIG. 2 is a side view of the edible ice cream cone with drip gutter and return apertures.

FIG. 3 is a top view of the edible ice cream cone with drip gutter and return apertures; and,

FIG. 4 is a bottom view of the edible ice cream cone with drip gutter and return apertures.

1 Claim, 2 Drawing Sheets



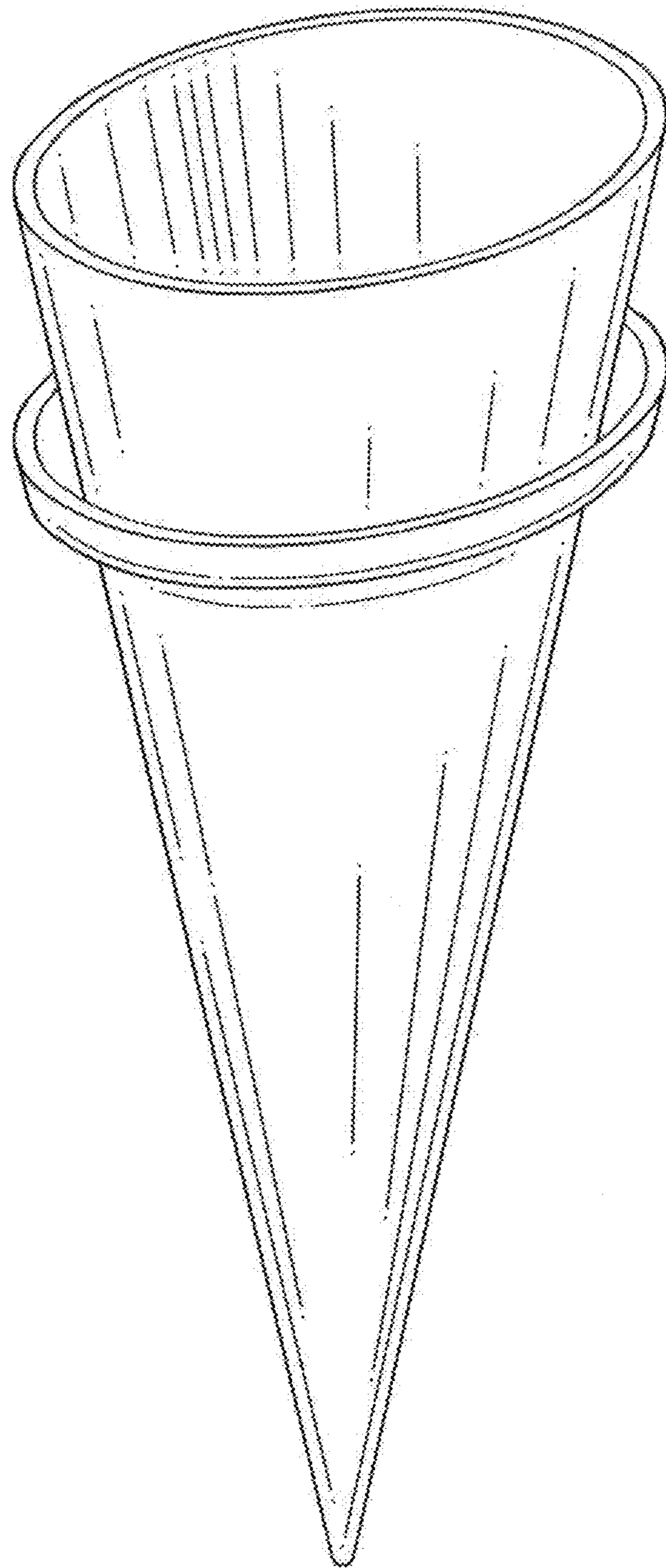


FIG. 1

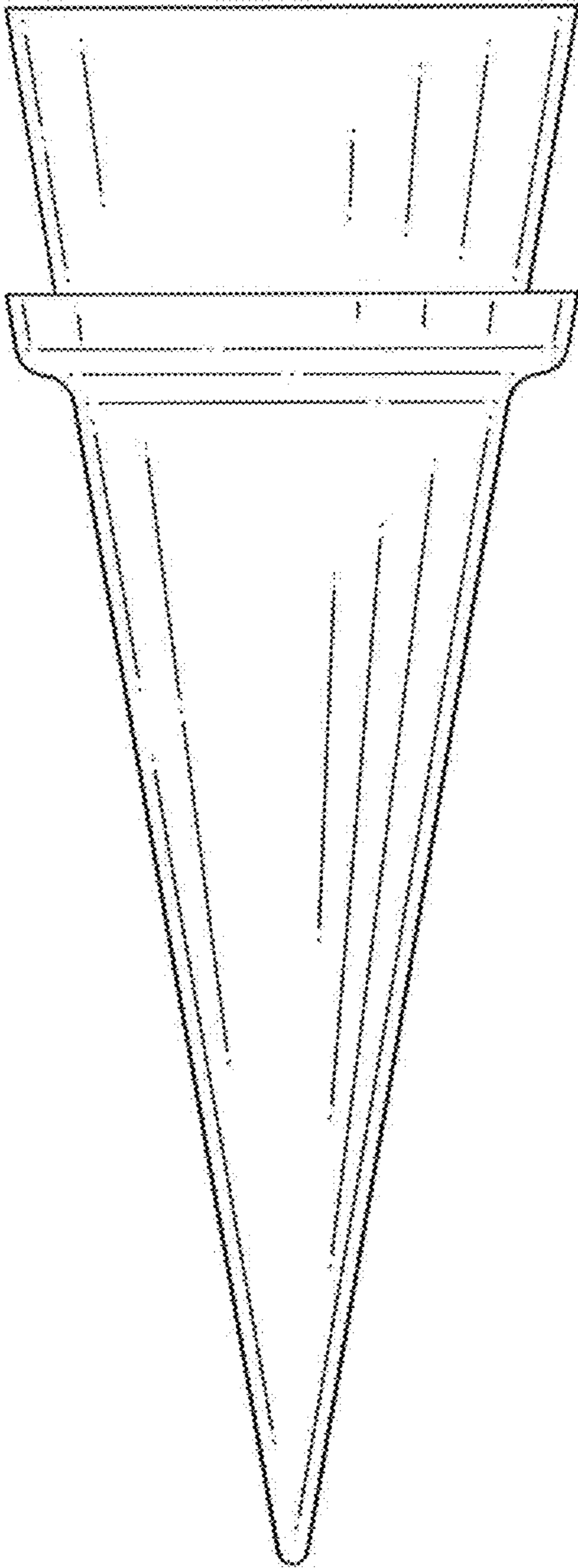


FIG. 2

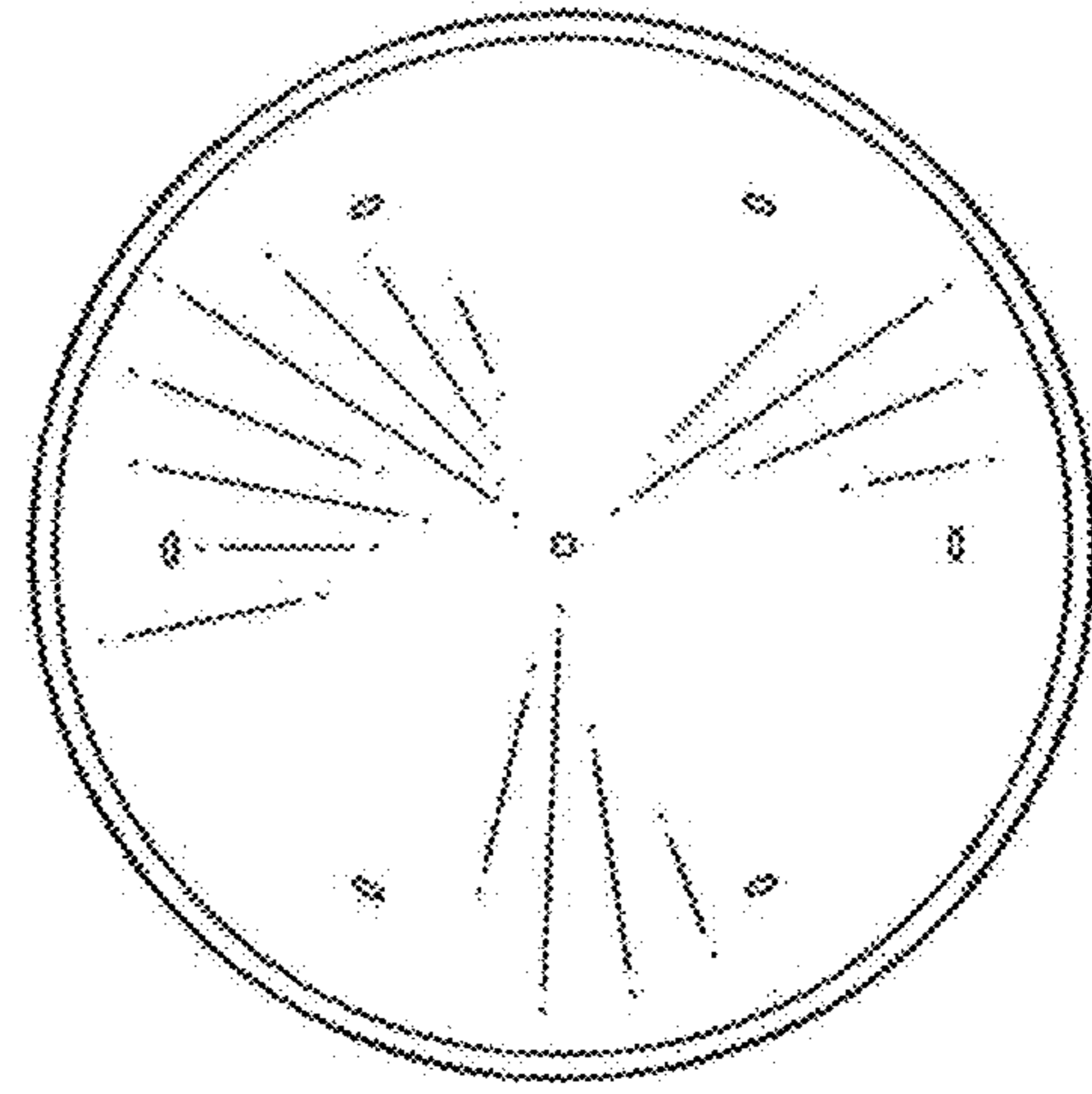


FIG. 3

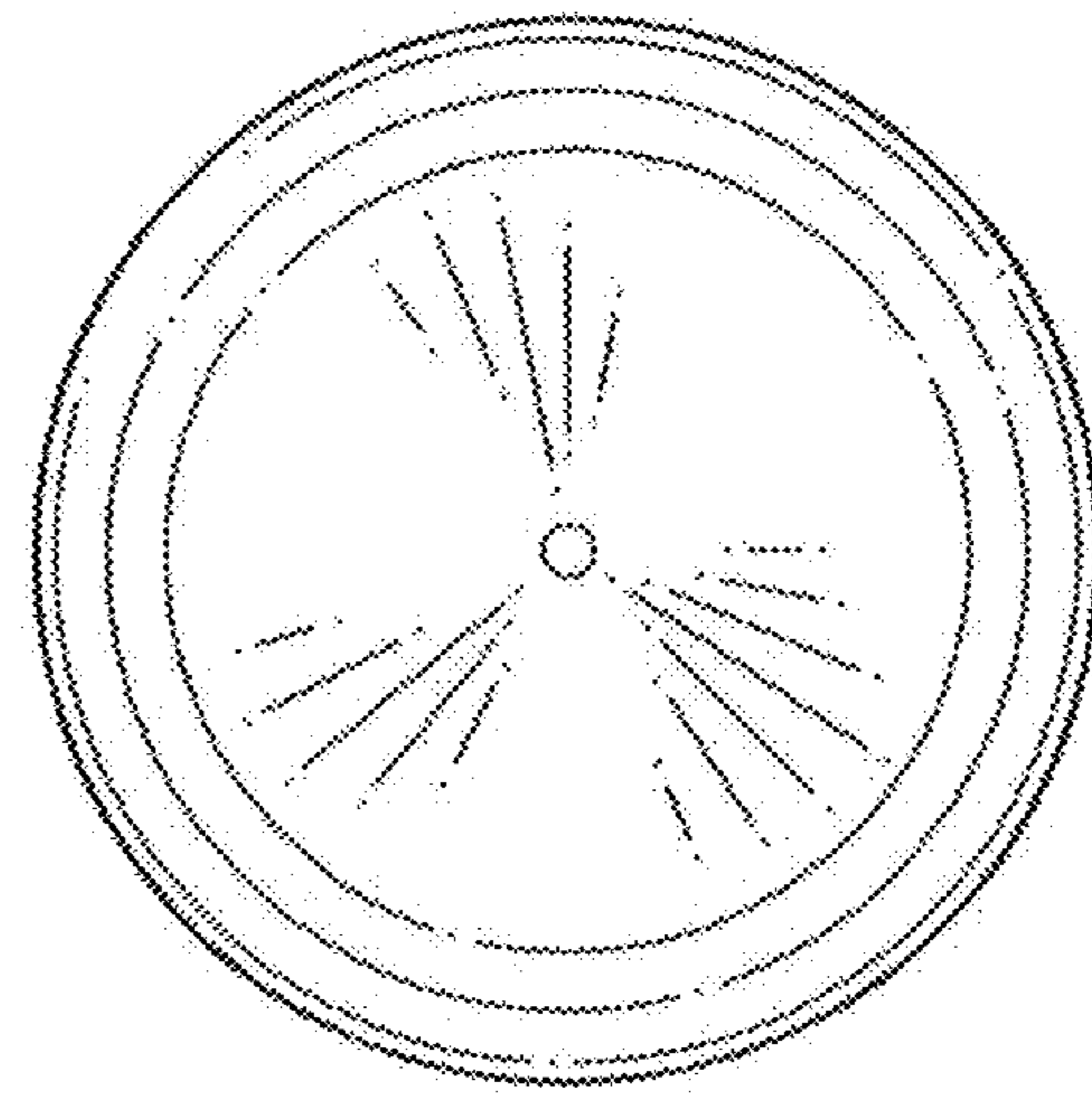


FIG. 4