



US00D779766S

(12) **United States Design Patent**
Dahlheimer

(10) **Patent No.:** **US D779,766 S**

(45) **Date of Patent:** **** Feb. 21, 2017**

(54) **CARRIER FOR EXTRUSION AND
PELLETIZING EQUIPMENT**

(71) Applicant: **AUTOMATIK PLASTICS
MACHINERY GMBH**, Grossostheim
(DE)

(72) Inventor: **Stefan Dahlheimer**, Kleinostheim (DE)

(73) Assignee: **MAAG AUTOMATIK GMBH**,
Grossostheim (DE)

(**) Term: **14 Years**

(21) Appl. No.: **29/513,019**

(22) Filed: **Dec. 24, 2014**

(51) **LOC (10) Cl.** **12-05**

(52) **U.S. Cl.**
USPC **D34/28**

(58) **Field of Classification Search**
USPC . D34/28, 31, 33; 254/8 R, 88, 11, 84, 93 H,
254/89 R
CPC B66F 5/04; B66F 5/00; B66F 7/0641;
B66F 7/0625; B66F 7/08; B66C 23/48
See application file for complete search history.

(56) **References Cited**

U.S. PATENT DOCUMENTS

3,854,550	A *	12/1974	Shingler	E04G 5/00 182/118
4,074,789	A *	2/1978	Warren	E04G 3/34 182/14
D274,945	S *	7/1984	Fitch	D25/68
5,341,898	A *	8/1994	Baziuk	E04G 3/34 182/142

D595,471	S *	6/2009	Novis	D34/28
D596,823	S *	7/2009	Thurm	D34/28
D662,273	S *	6/2012	Bayley	D34/28
D688,021	S *	8/2013	Gann	D34/28
D703,413	S *	4/2014	Gann	D34/28
D752,838	S *	3/2016	Ziaylek	D34/28

* cited by examiner

Primary Examiner — Cynthia Ramirez

(74) *Attorney, Agent, or Firm* — Buskop Law Group, PC;
Wendy Buskop

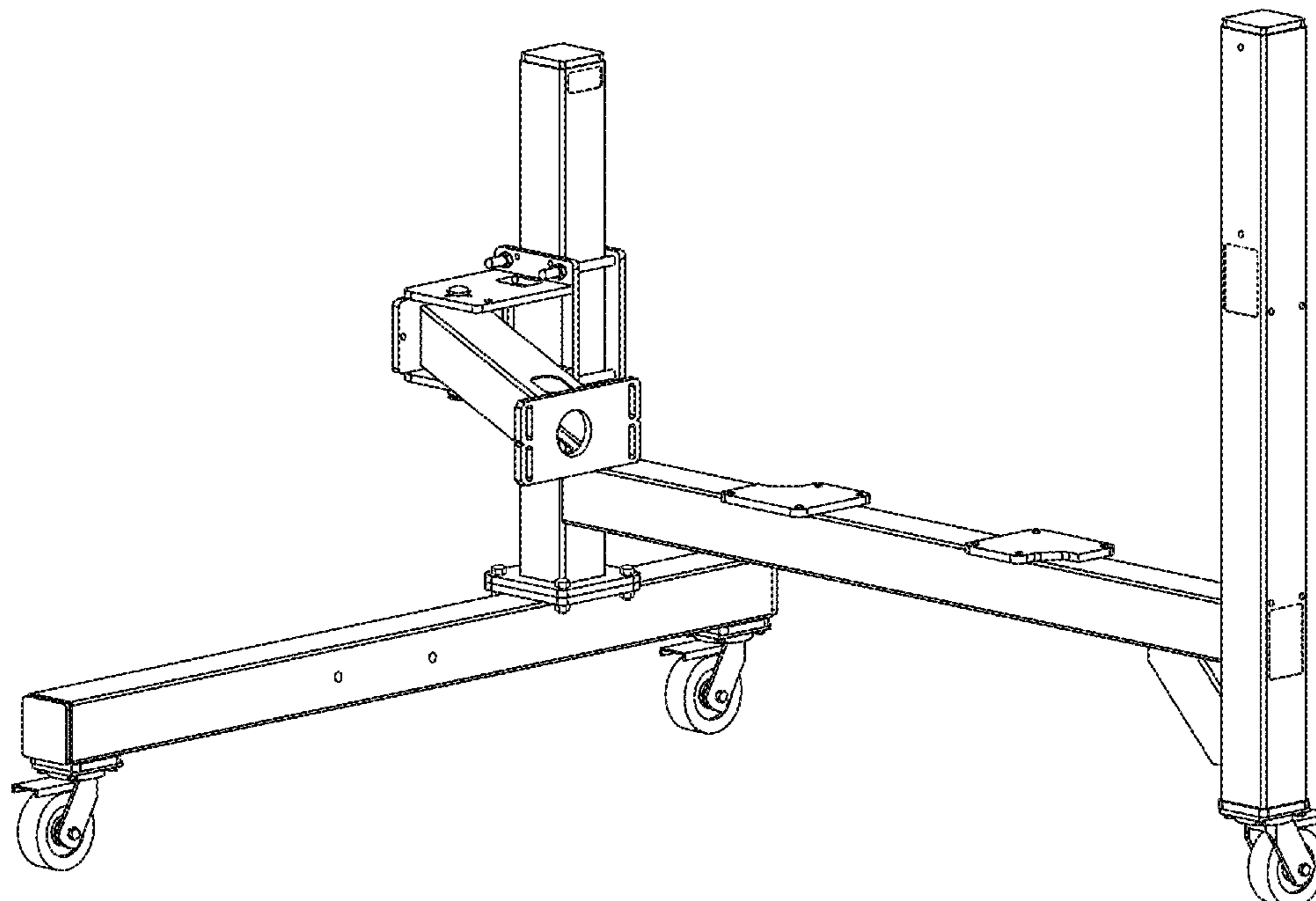
(57) **CLAIM**

The ornamental design for a carrier for extrusion and pelletizing equipment, as shown and described.

DESCRIPTION

FIG. 1 is a perspective view of a carrier for extrusion and palletizing equipment showing my new design;
 FIG. 2 is a top view thereof;
 FIG. 3 is a bottom view thereof;
 FIG. 4 is a front view thereof;
 FIG. 5 is a rear view thereof;
 FIG. 6 is a left side thereof;
 FIG. 7 is a right side view thereof;
 FIG. 8 is a perspective view of a second embodiment of a carrier for extrusion and palletizing equipment;
 FIG. 9 is a top view thereof;
 FIG. 10 is a bottom view thereof;
 FIG. 11 is a front view thereof; and
 FIG. 12 is a rear view thereof.
 FIG. 13 is a left side view of a modified form for a carrier for extrusion and pelletizing equipment; and,
 FIG. 14 is a right side view of a modified form for a carrier for extrusion and pelletizing equipment.

1 Claim, 14 Drawing Sheets



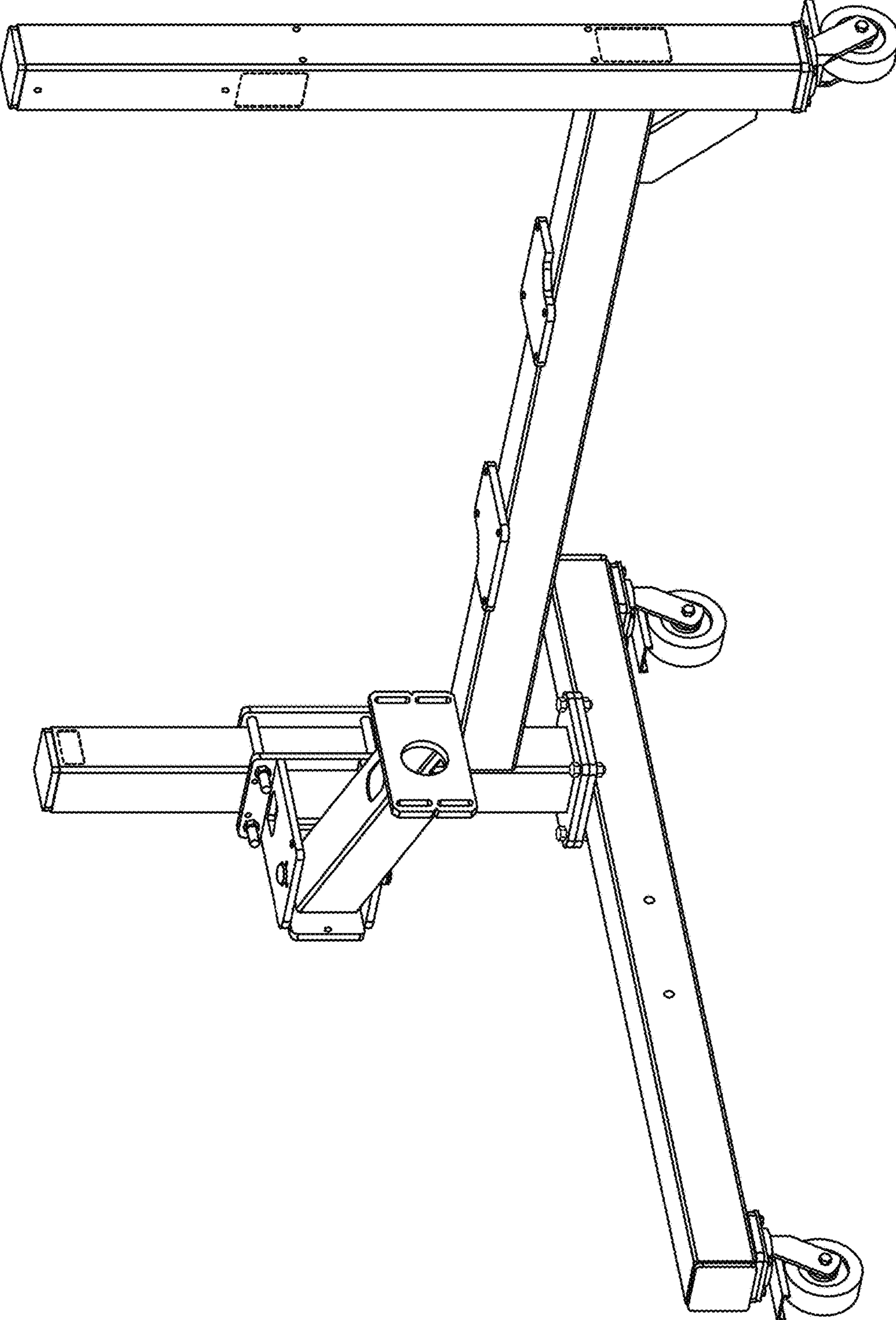


FIGURE 1

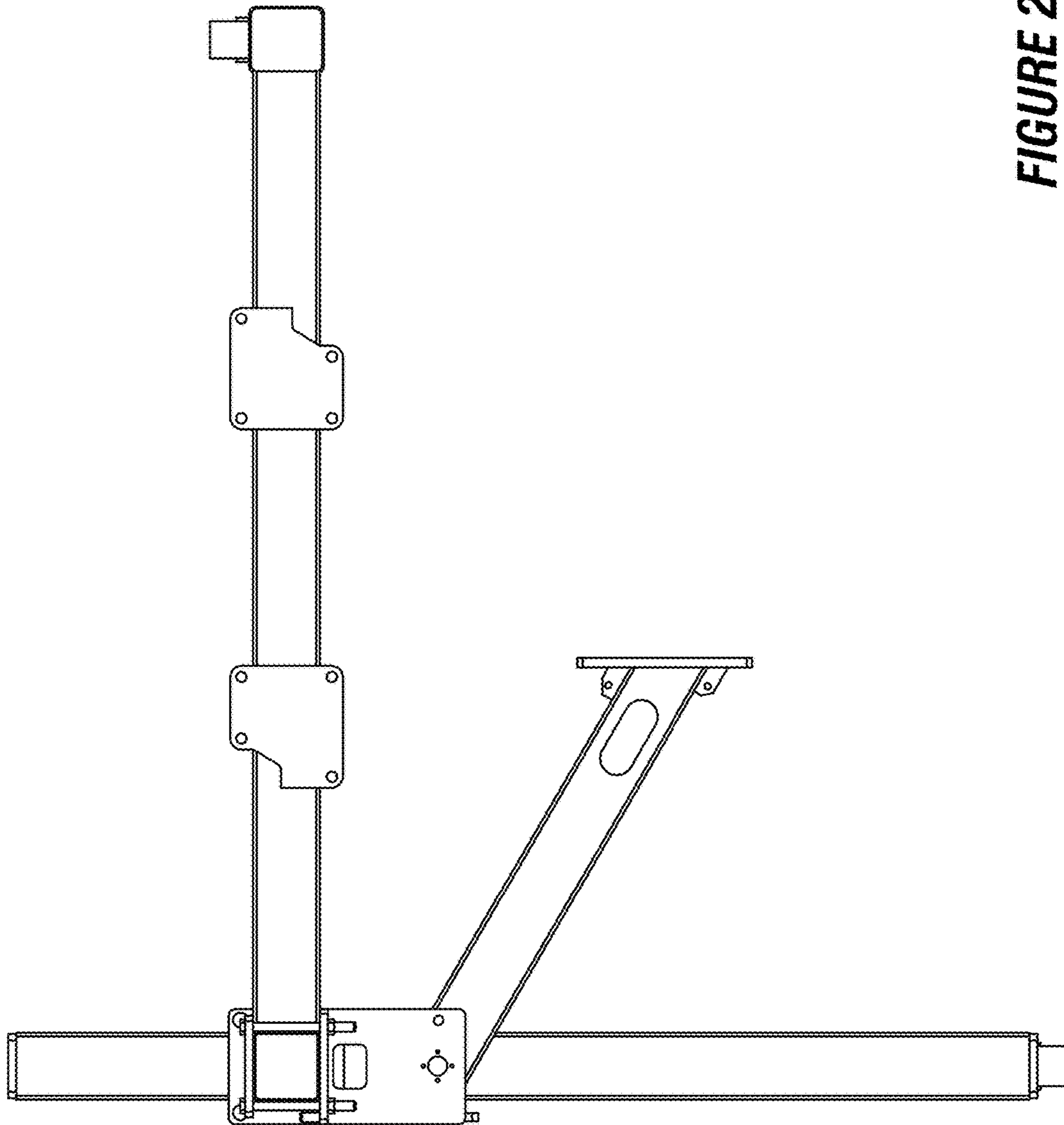


FIGURE 2

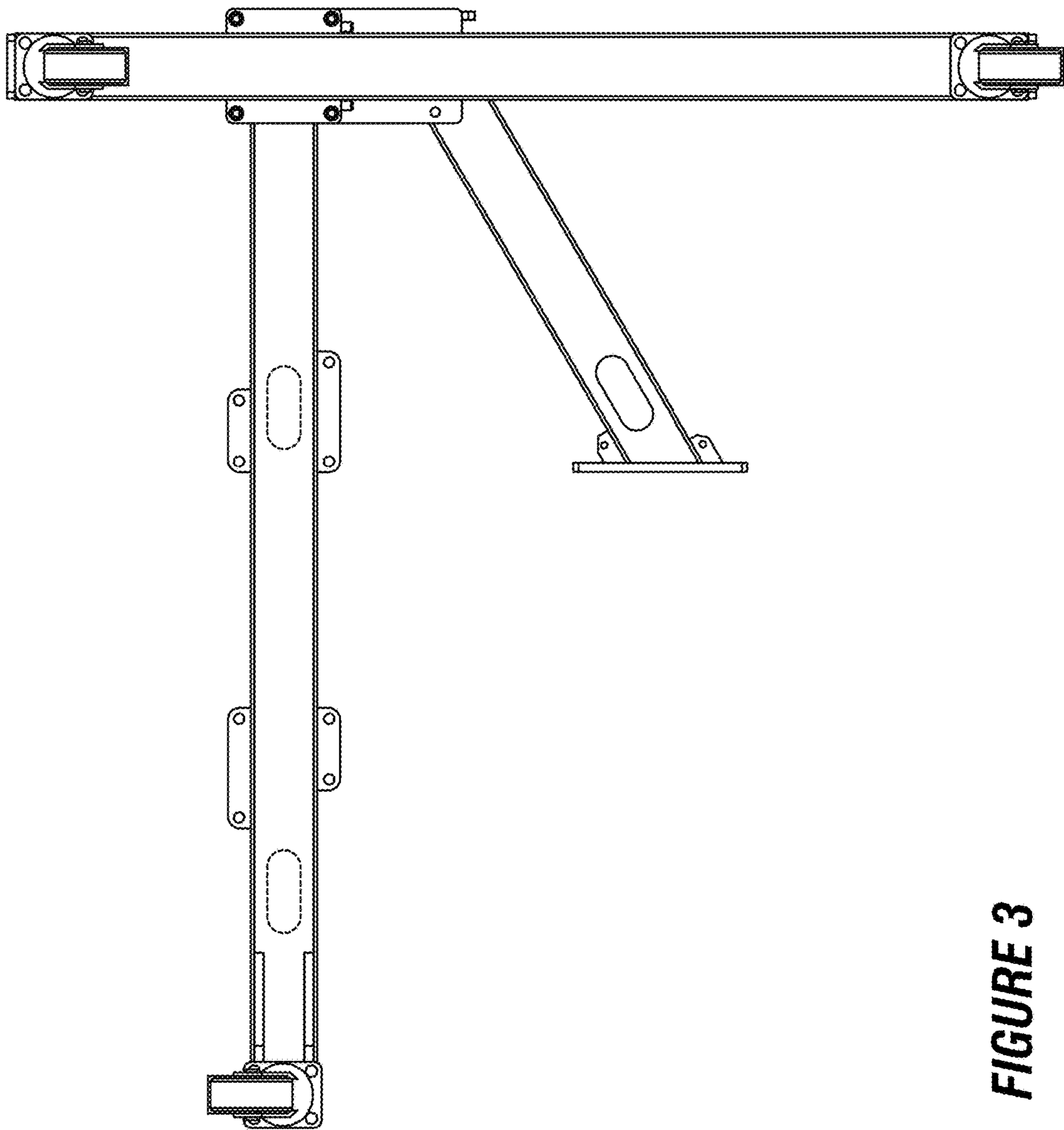


FIGURE 3

FIGURE 4

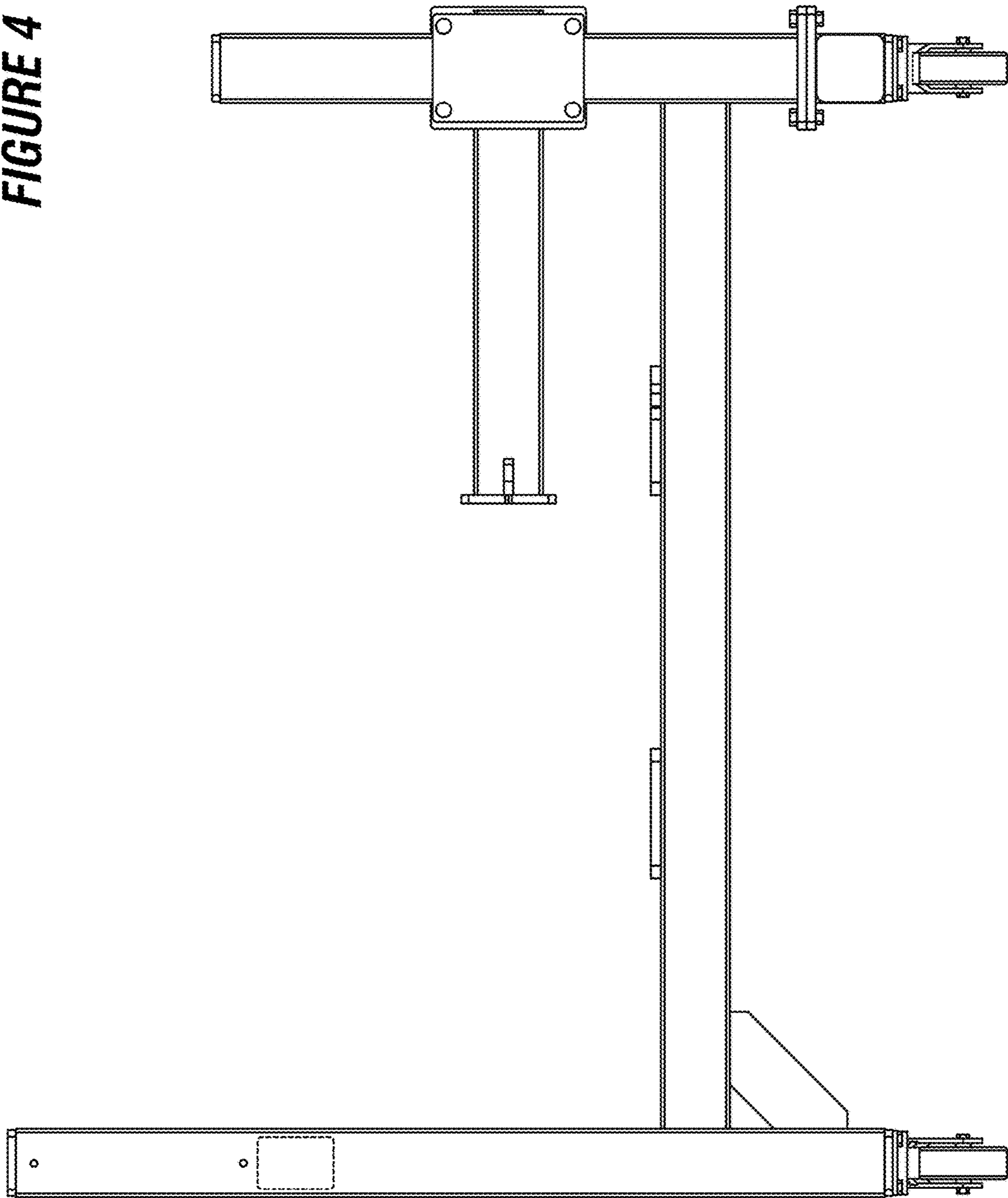
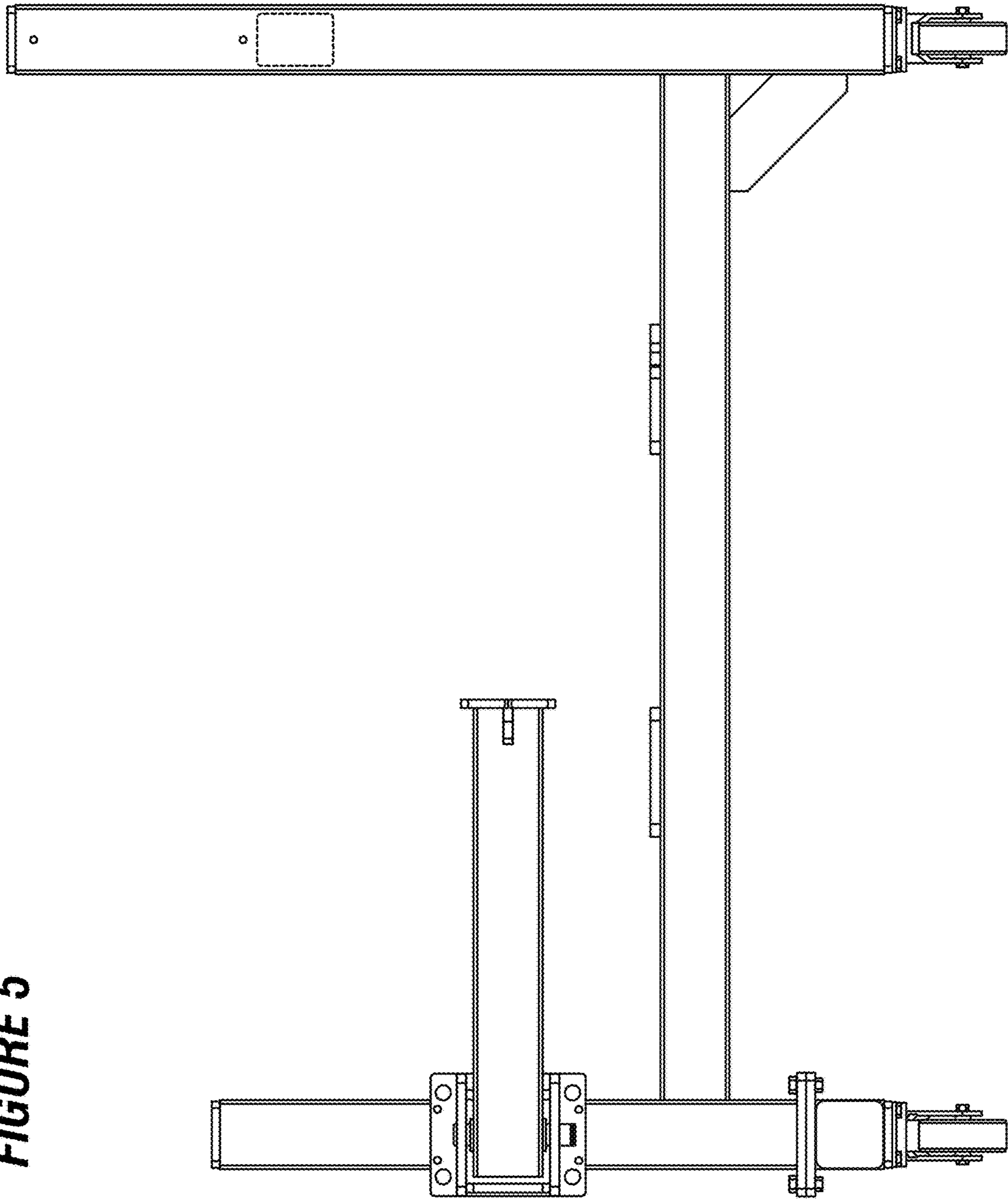


FIGURE 5



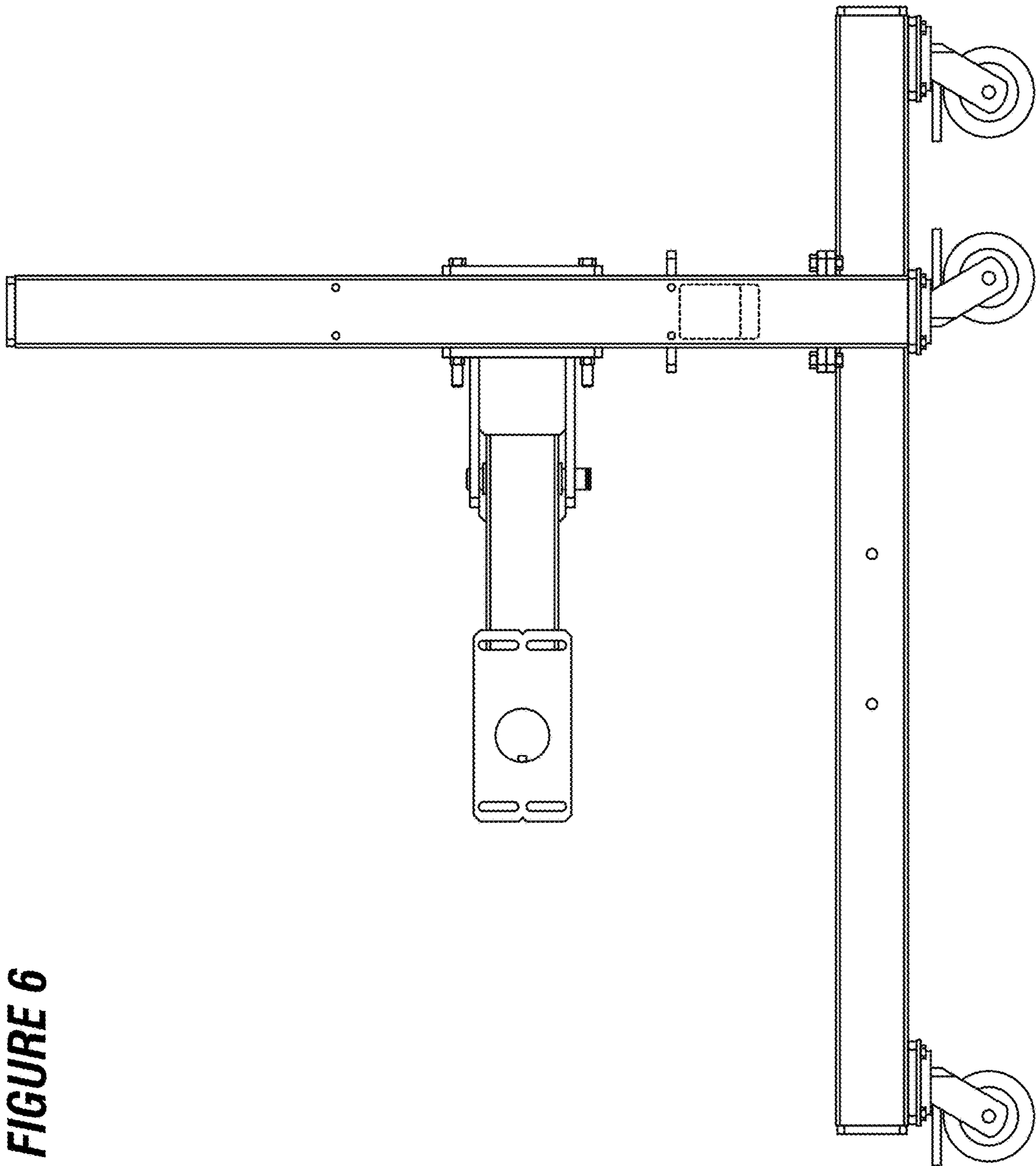


FIGURE 6

FIGURE 7

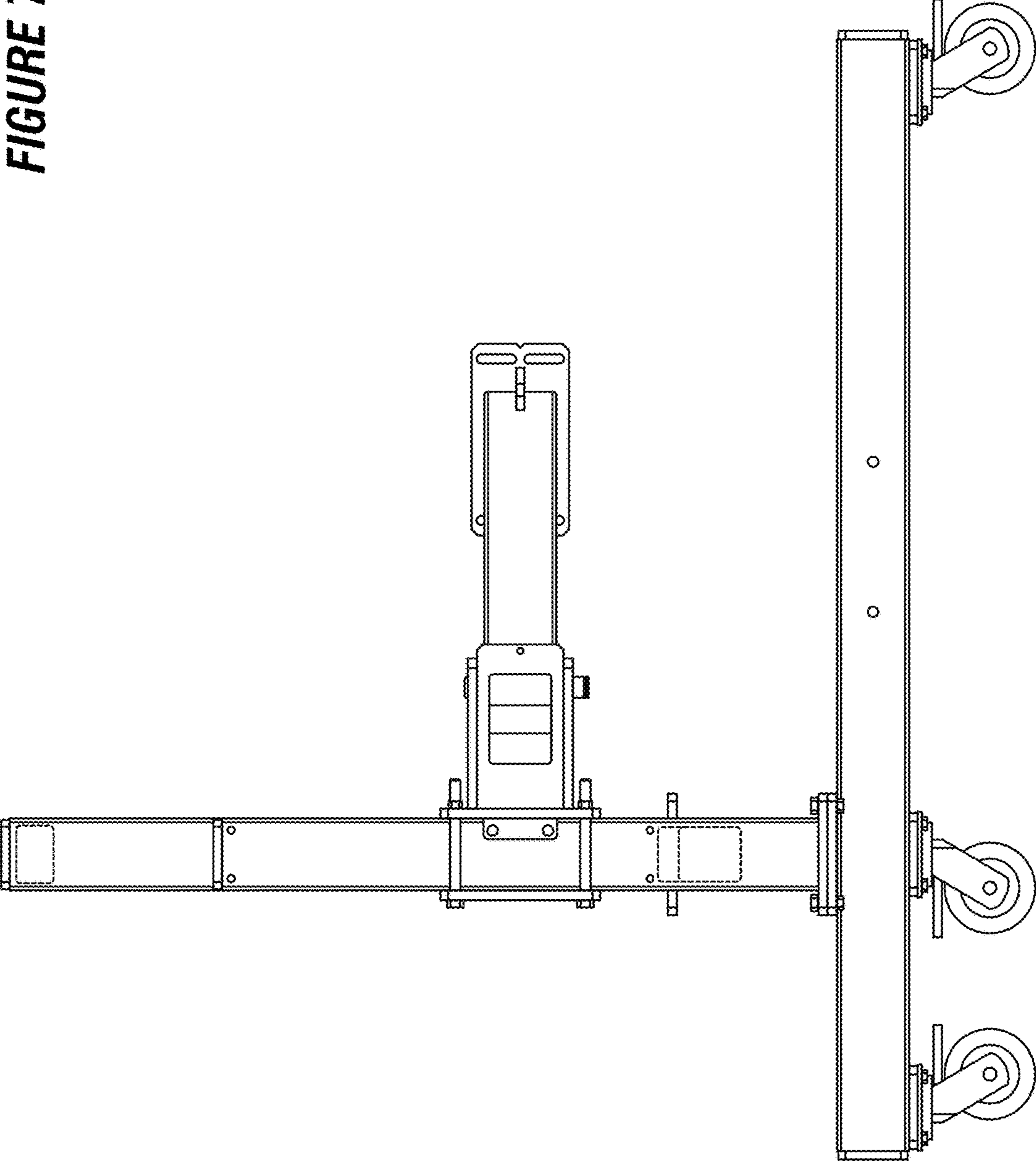
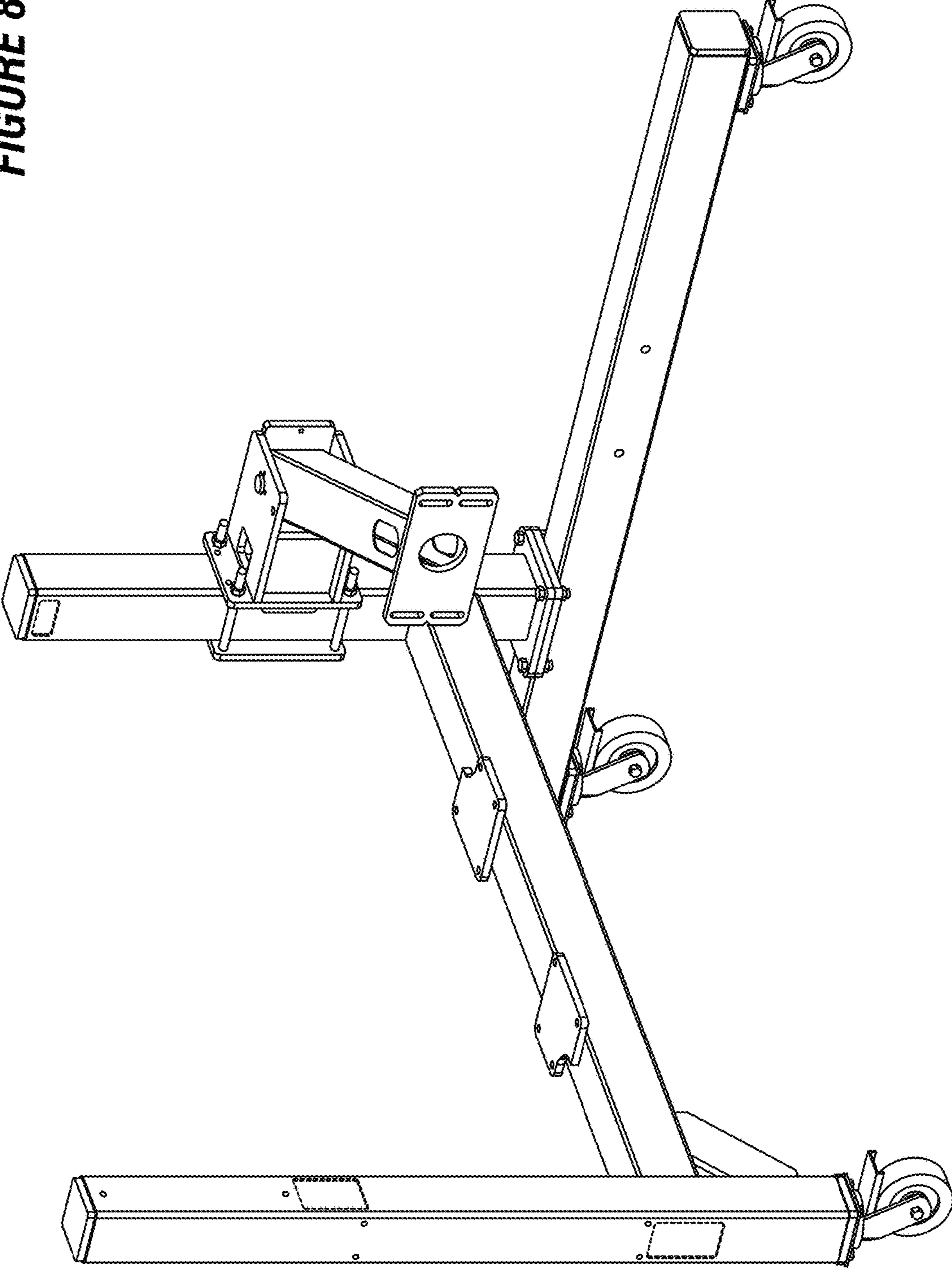


FIGURE 8



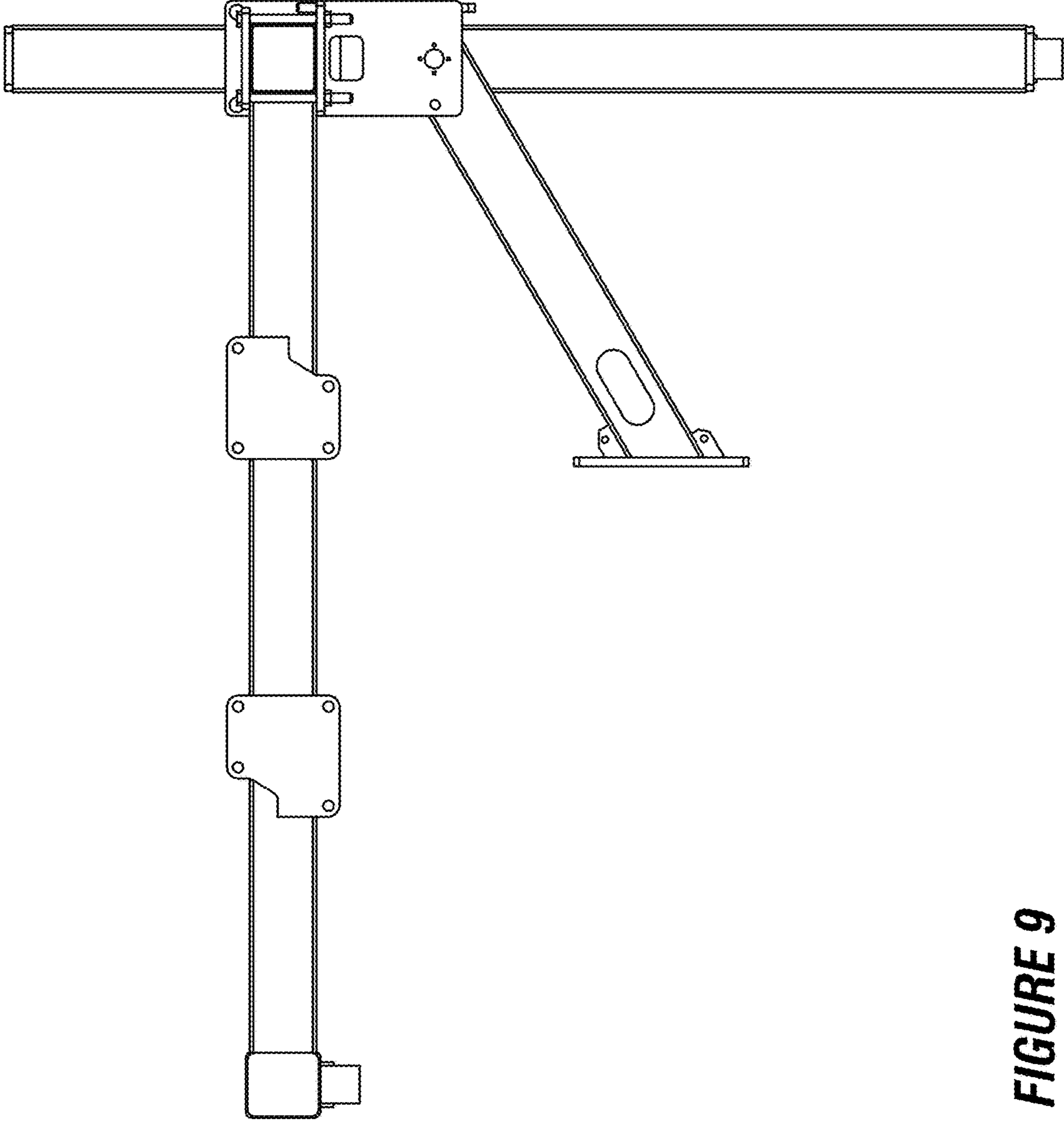


FIGURE 9

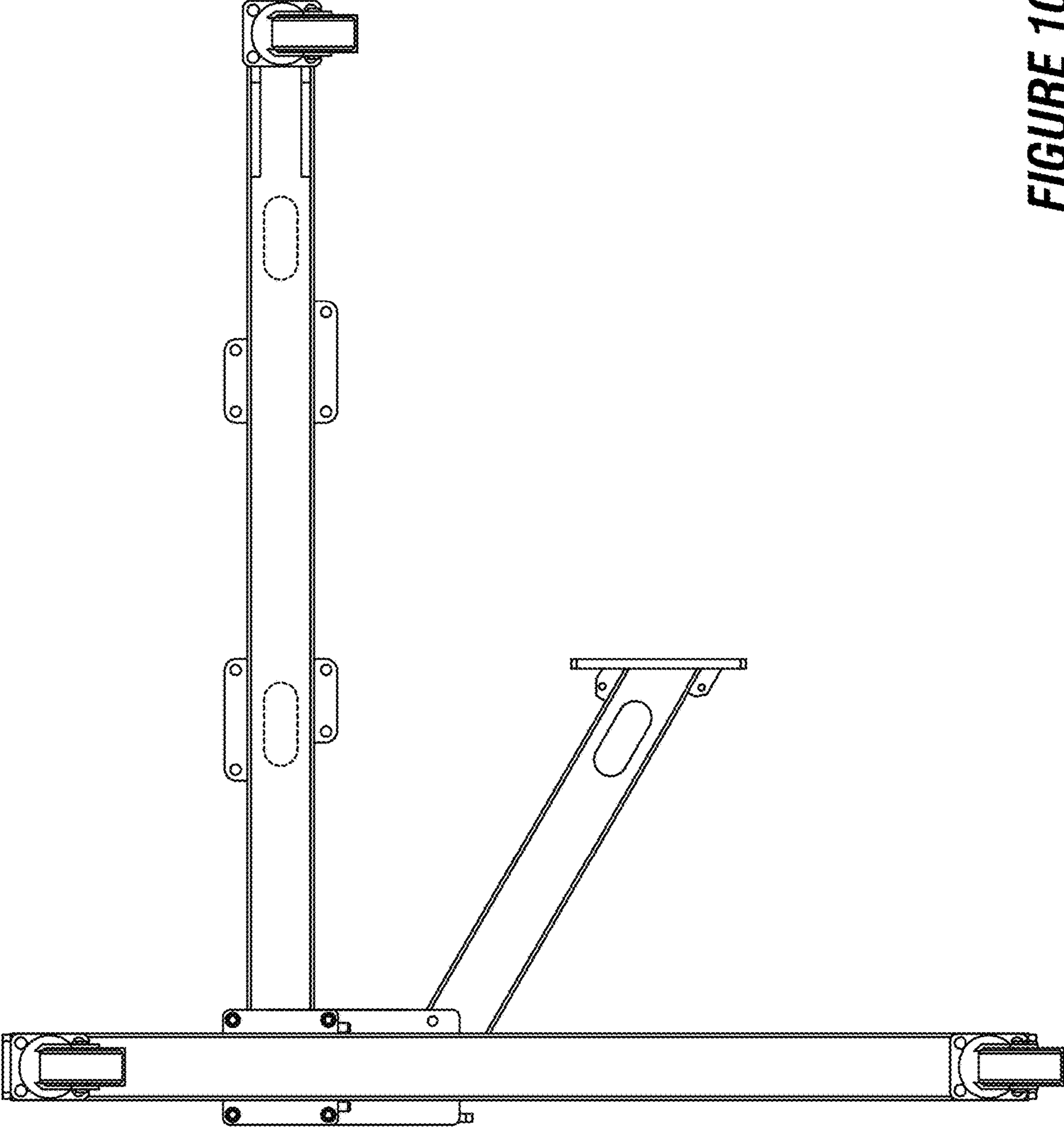


FIGURE 10

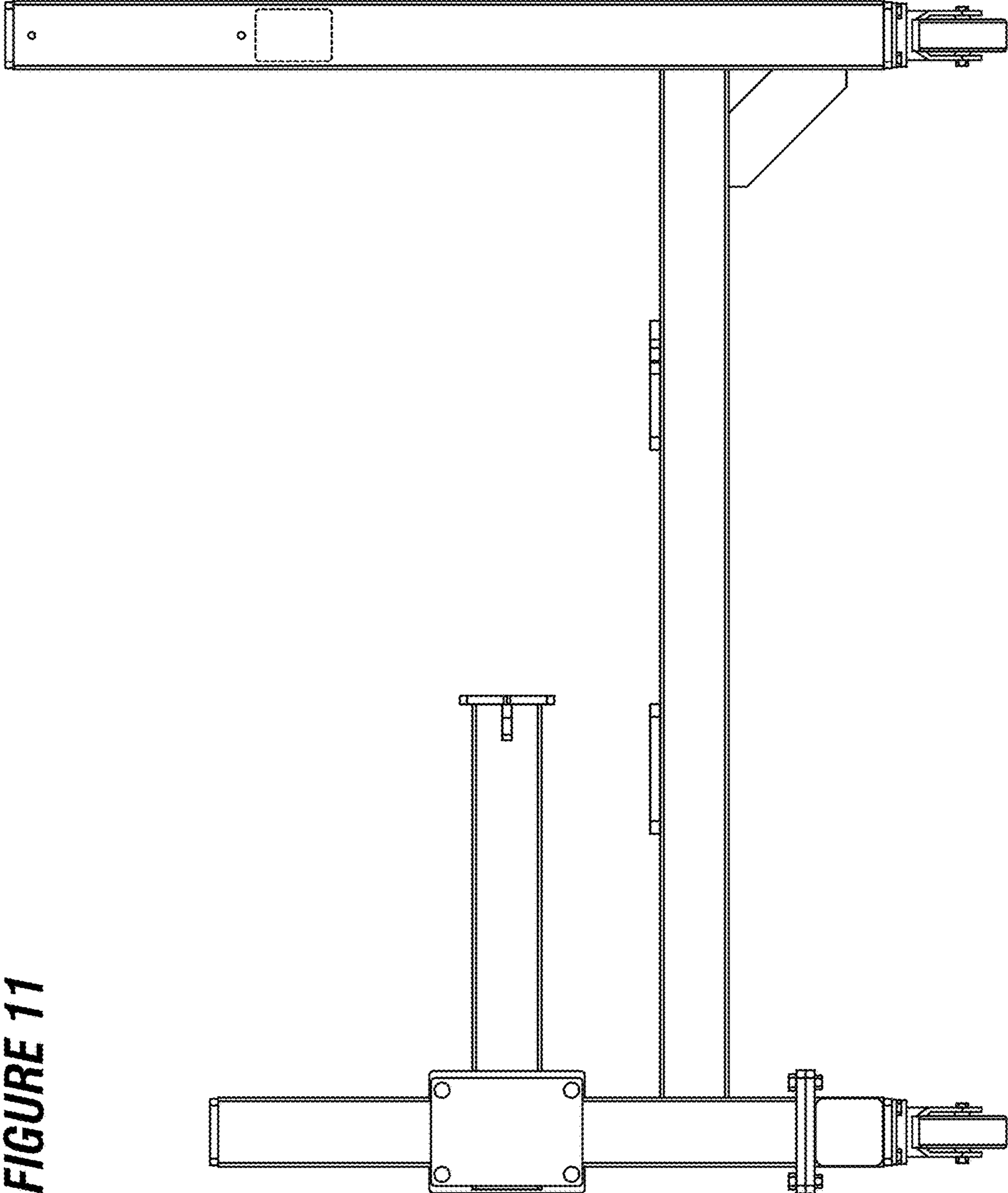
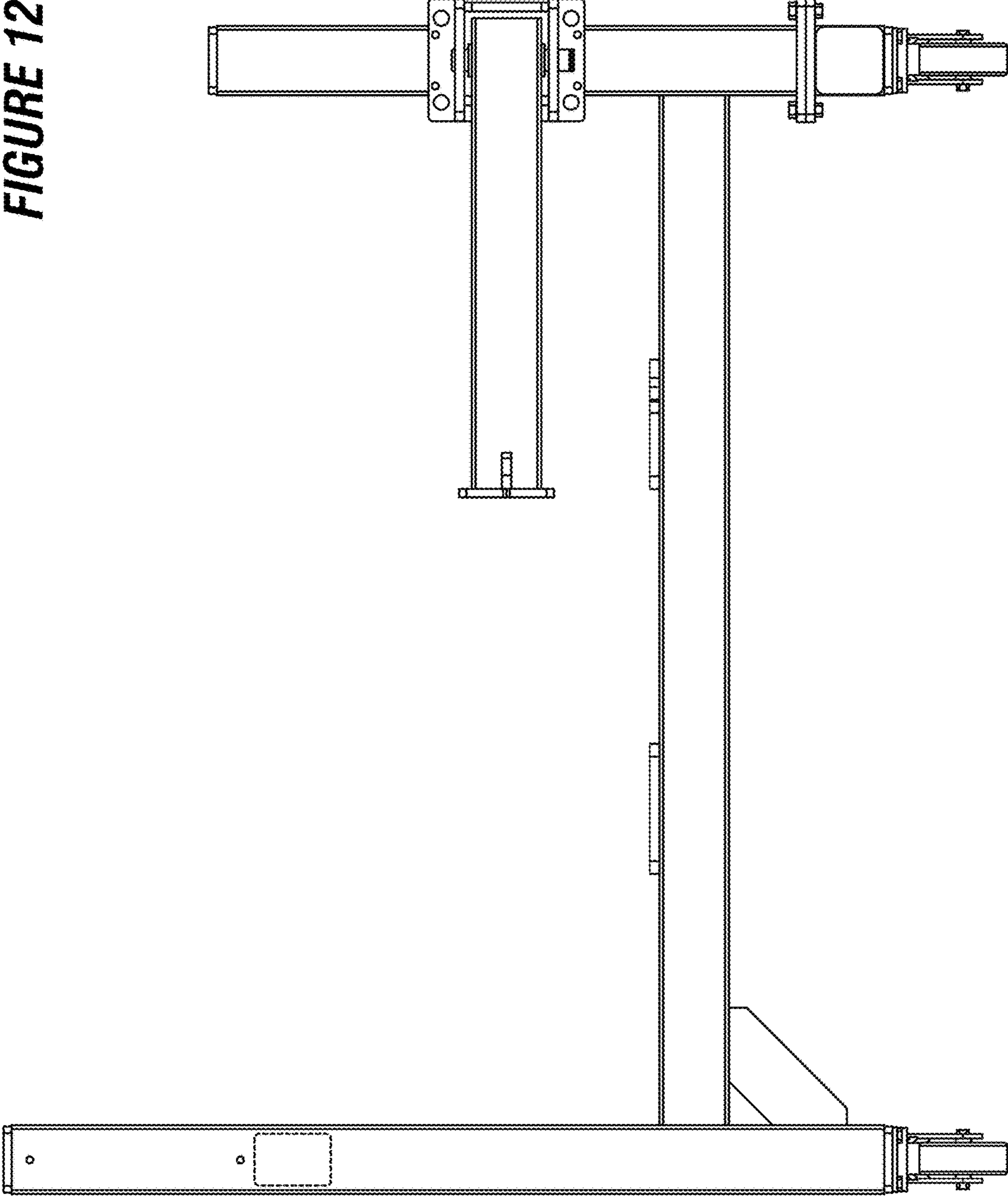


FIGURE 11

FIGURE 12



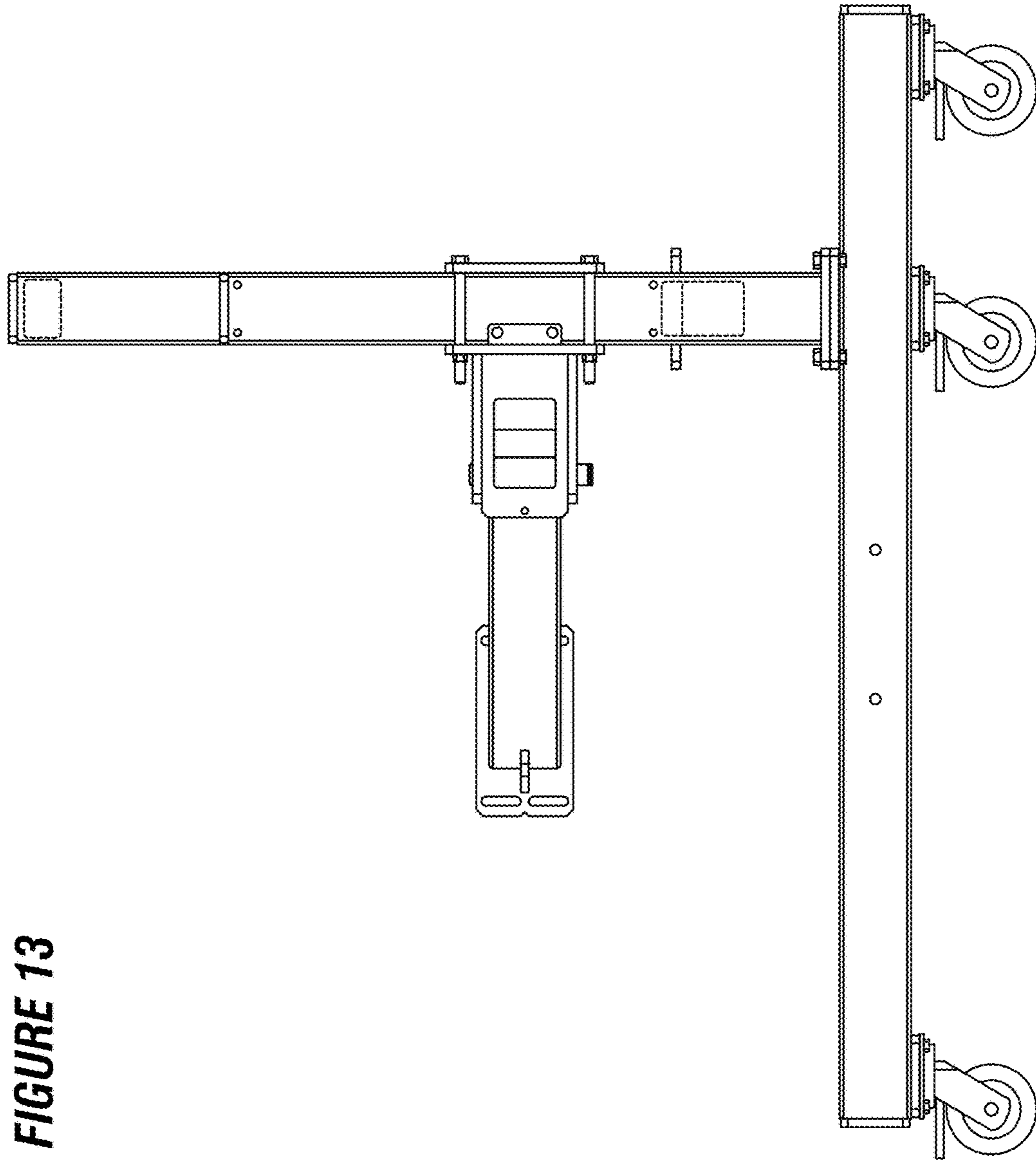


FIGURE 13

FIGURE 14

