



US00D779762S

(12) **United States Design Patent**
Wyse et al.

(10) **Patent No.: US D779,762 S**
(45) **Date of Patent: ** Feb. 21, 2017**

(54) **POWERED WHEELBARROW WITH
ARTICULATING CHASSIS**

(71) Applicant: **Granite Industries, Inc.**, Archbold, OH
(US)

(72) Inventors: **Steven J. Wyse**, Archbold, OH (US);
Brent A. Johnston, West Unity, OH
(US)

(73) Assignee: **Granite Industries, Inc.**, Archbold, OH
(US)

(**) Term: **15 Years**

(21) Appl. No.: **29/556,368**

(22) Filed: **Feb. 29, 2016**

Related U.S. Application Data

(63) Continuation of application No. 29/510,189, filed on
Nov. 25, 2014, now Pat. No. Des. 752,837.

(51) **LOC (10) Cl.** **12-02**

(52) **U.S. Cl.**
USPC **D34/16**

(58) **Field of Classification Search**

USPC D34/12-27; 280/651, 47.34, 47.24,
280/47.26, 47.17, 654, 79.3, 653, 659,
280/47.31, 47.131, 47.15, 47.12, 47.33,
280/17, 41, 47.32, 18, 47.27, 62; 298/2,
298/1 C, 17.5; 180/79.1, 212, 54.2, 65.6,
180/65.1, 208, 19.3, 214, 907, 908, 216
CPC B62B 1/12; B62B 1/18; B62B 1/24;
B62B 2203/70; B62B 3/02; B62B 5/0438;
B62B 5/0026; B62B 5/0033

See application file for complete search history.

(56) **References Cited**

U.S. PATENT DOCUMENTS

D261,125 S * 10/1981 Gordon D34/24
4,353,596 A * 10/1982 Gibson B62B 1/12
206/223
4,589,508 A * 5/1986 Hoover B62B 1/24
180/13
6,129,166 A * 10/2000 Sueshige B62B 5/0026
180/65.6
D487,325 S * 3/2004 Vieira D34/16
D527,157 S * 8/2006 Boon D34/16
D535,451 S * 1/2007 Lim D34/16

(Continued)

Primary Examiner — Cynthia Ramirez

(74) *Attorney, Agent, or Firm* — Hovey Williams LLP

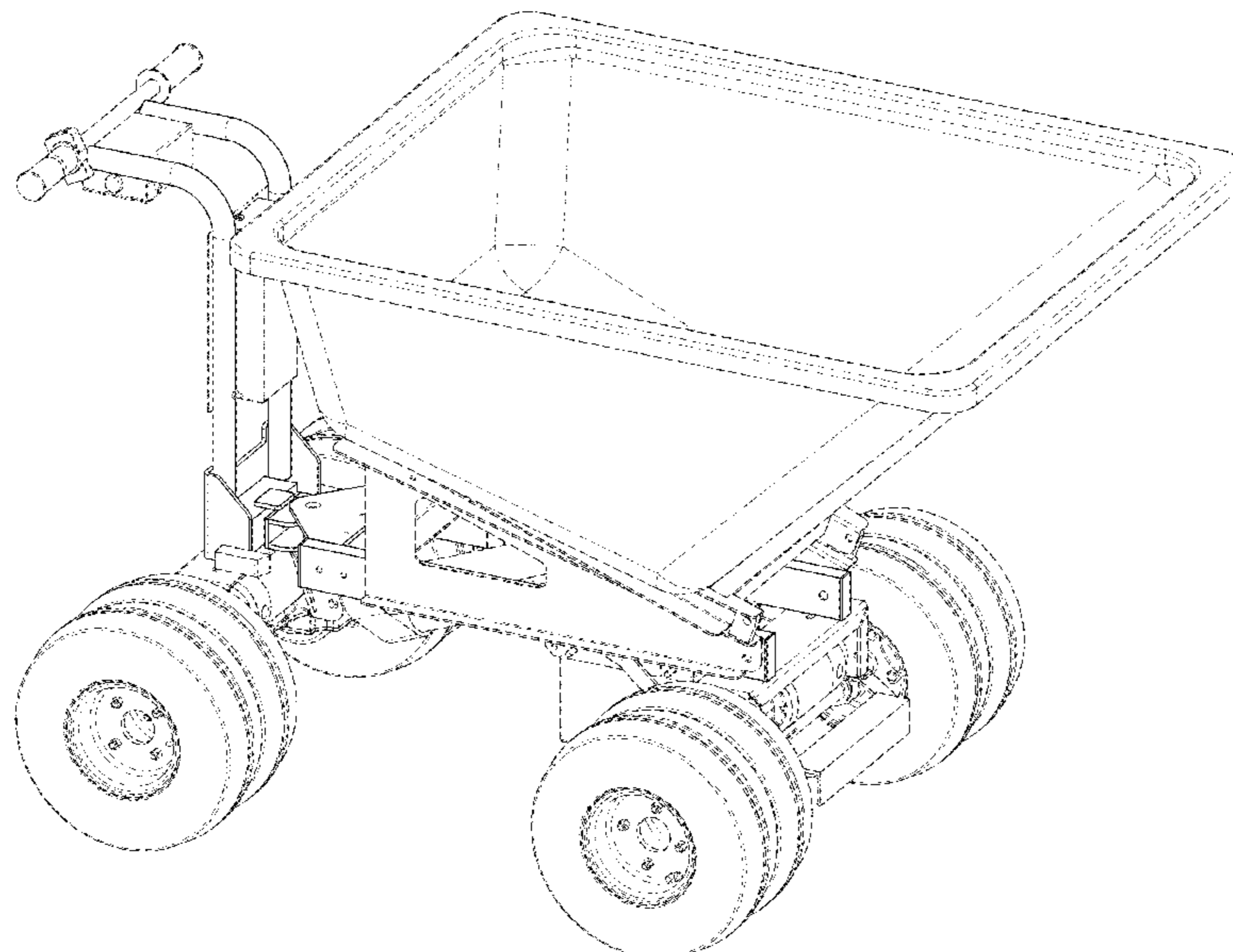
(57) **CLAIM**

The ornamental design for a powered wheelbarrow with
articulating chassis, as shown and described.

DESCRIPTION

FIG. 1 is a front perspective view of a powered wheelbarrow
with articulating chassis embodying our design;
FIG. 2 is a rear perspective view of the powered wheelbarrow
with articulating chassis shown in FIG. 1;
FIG. 3 is a front elevational view of the powered wheelbarrow
with articulating chassis shown in FIGS. 1 and 2;
FIG. 4 is a left side elevational view of the powered
wheelbarrow with articulating chassis depicted in FIGS. 1-3;
FIG. 5 is a rear elevational view of the powered wheelbarrow
with articulating chassis depicted in FIGS. 1-4;
FIG. 6 is a right side elevational view of the powered
wheelbarrow with articulating chassis depicted in FIGS. 1-5;
and,
FIG. 7 is a top elevational view of the powered wheelbarrow
with articulating chassis shown in FIGS. 1-6.
The broken lines shown in the figures are included for the
purpose of illustrating environment and form no part of the
claimed design.

1 Claim, 7 Drawing Sheets



(56)

References Cited

U.S. PATENT DOCUMENTS

D535,802 S * 1/2007 Wittkowski D34/12
7,210,545 B1 * 5/2007 Waid B60K 7/0007
180/19.1
D574,121 S * 7/2008 Song D34/16
7,775,306 B1 * 8/2010 Adkins B62B 1/18
180/19.3
8,444,166 B1 * 5/2013 Jarvis B62B 3/00
280/415.1
8,985,619 B2 * 3/2015 Celli B62B 1/002
280/47.31
D752,307 S * 3/2016 Wyse D34/12
D752,308 S * 3/2016 Wyse D34/16
D752,835 S * 3/2016 Wyse D34/16
D752,836 S * 3/2016 Wyse D34/16
D752,837 S * 3/2016 Wyse D34/16
D754,414 S * 4/2016 Lear D34/16

* cited by examiner

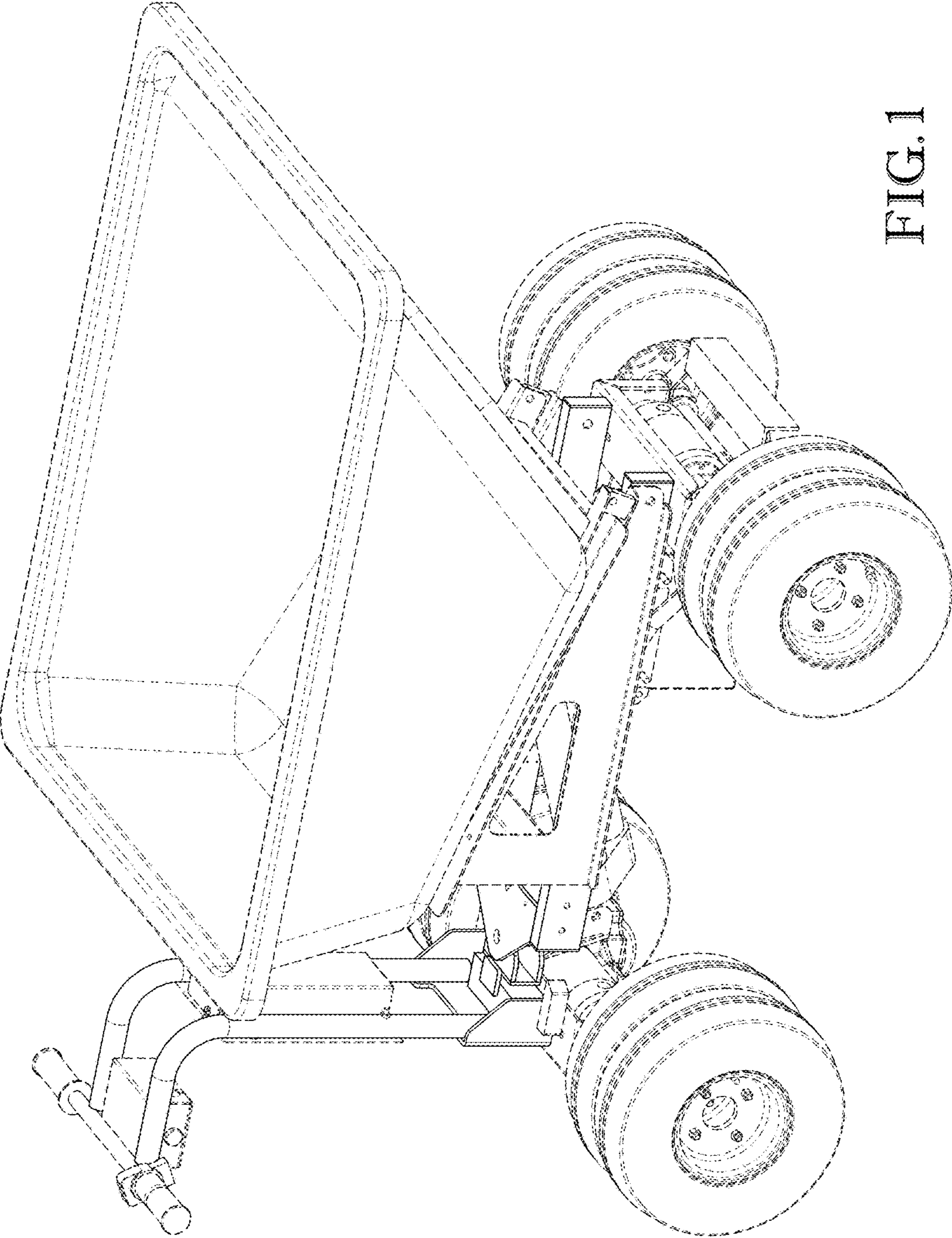


FIG. 1

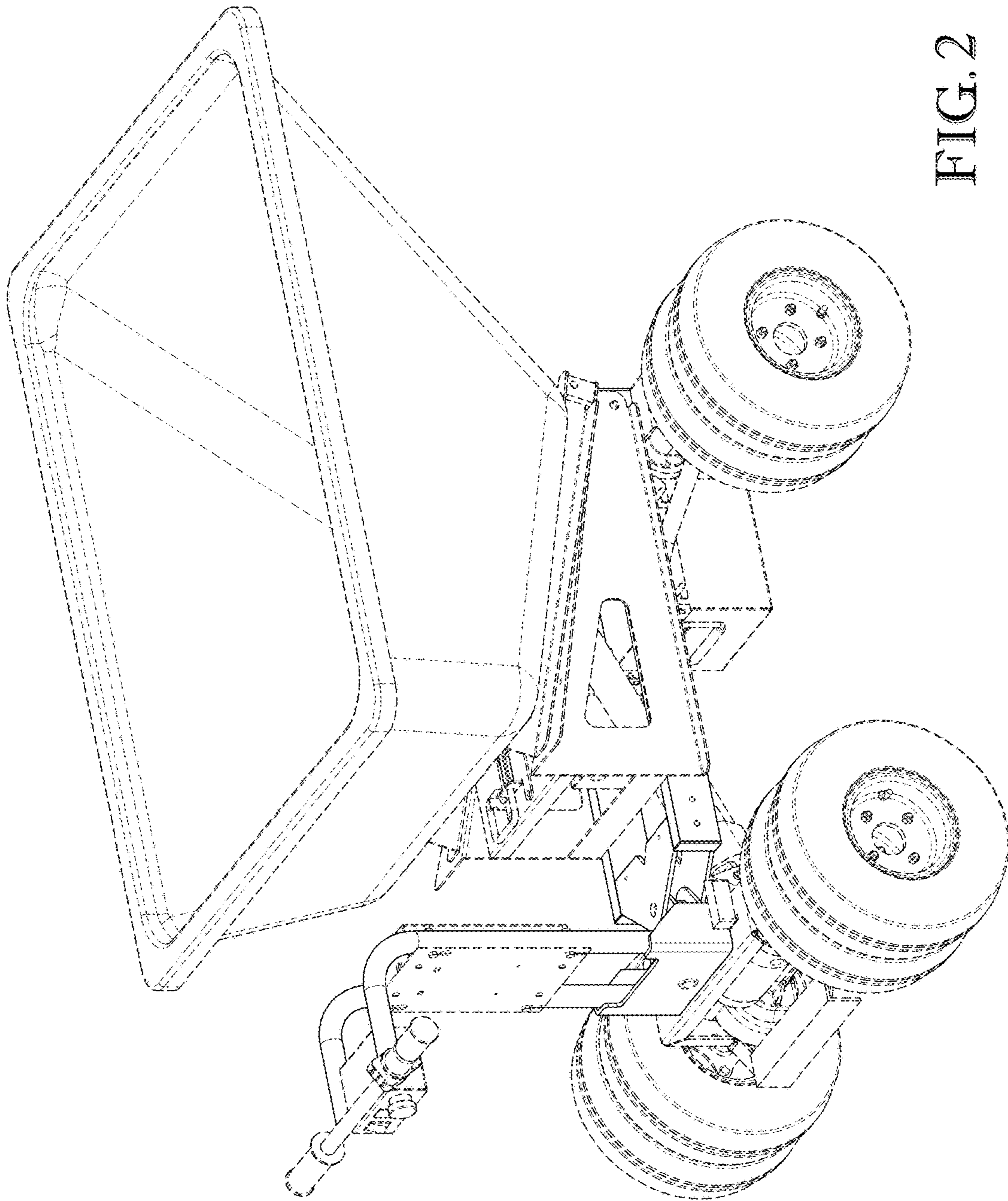


FIG. 2

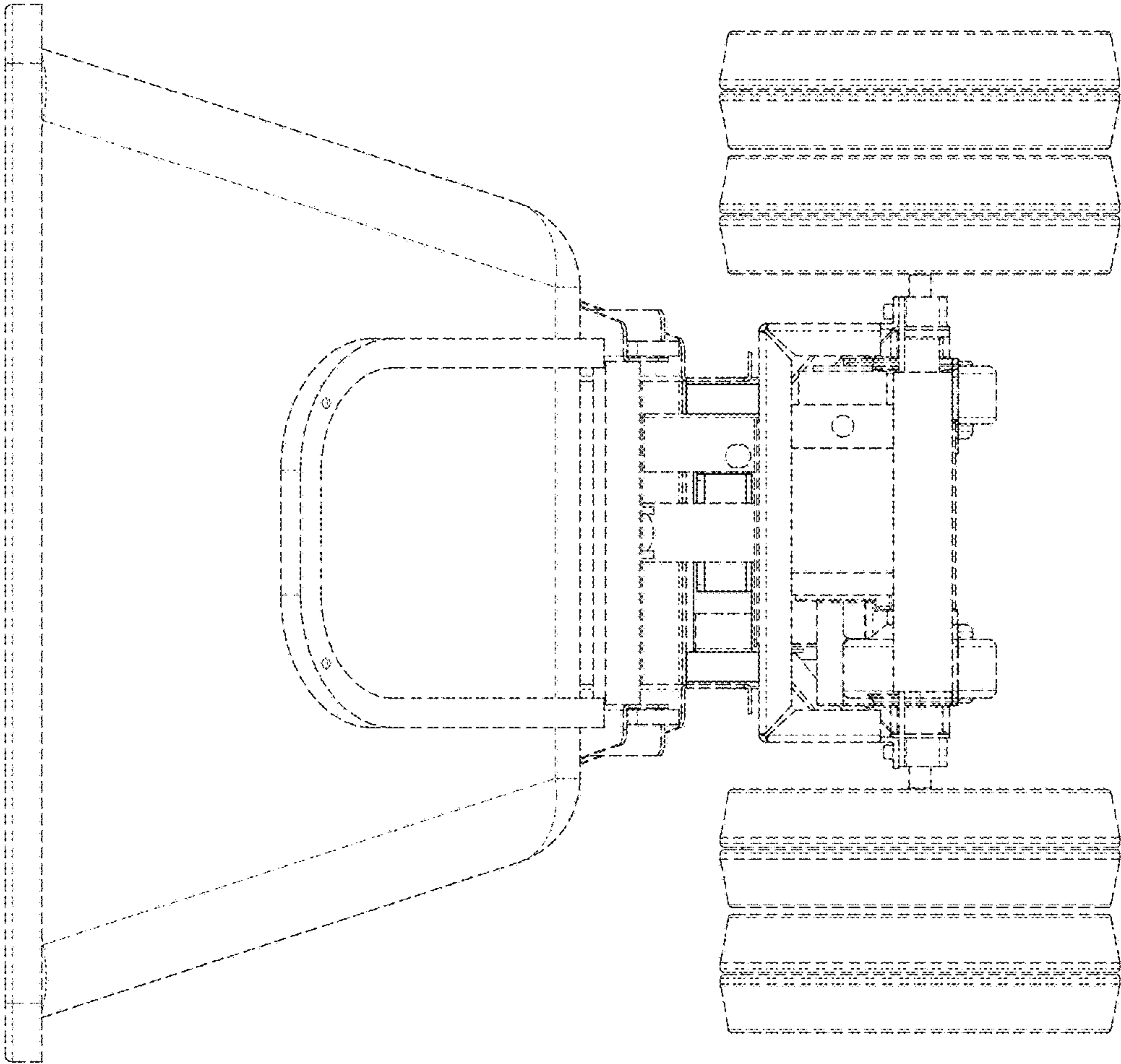


FIG. 3

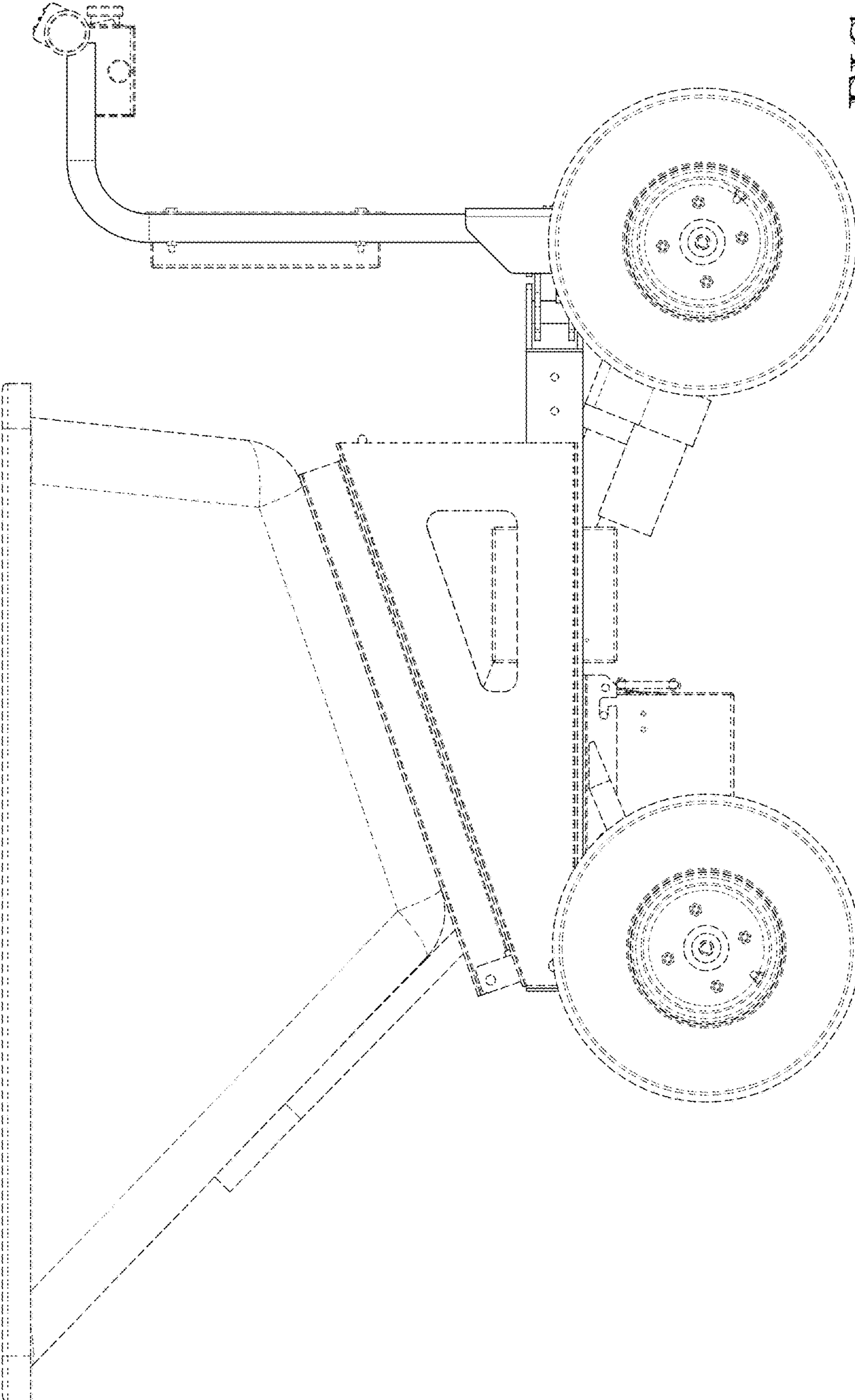


FIG. 4

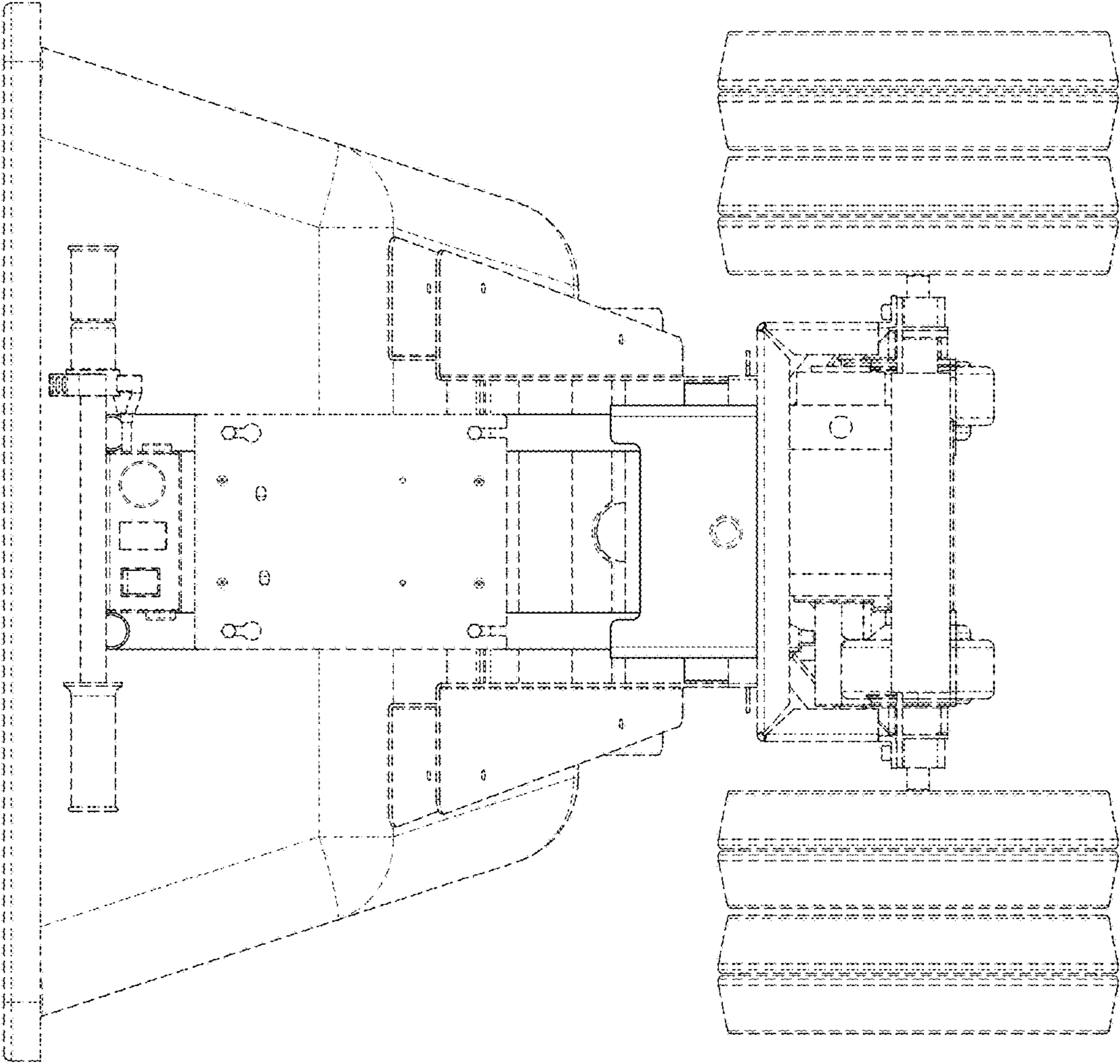


FIG. 5

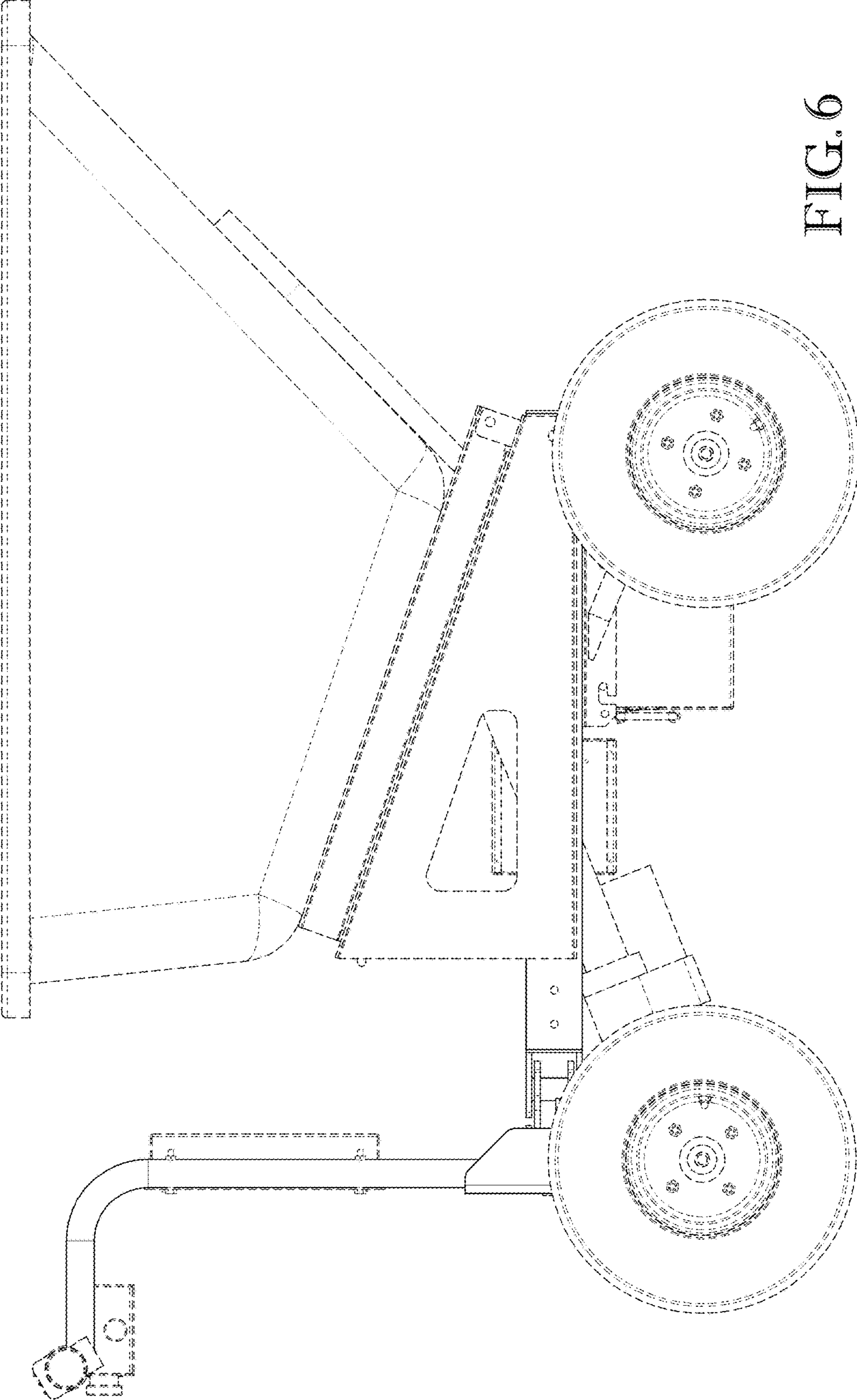


FIG. 6

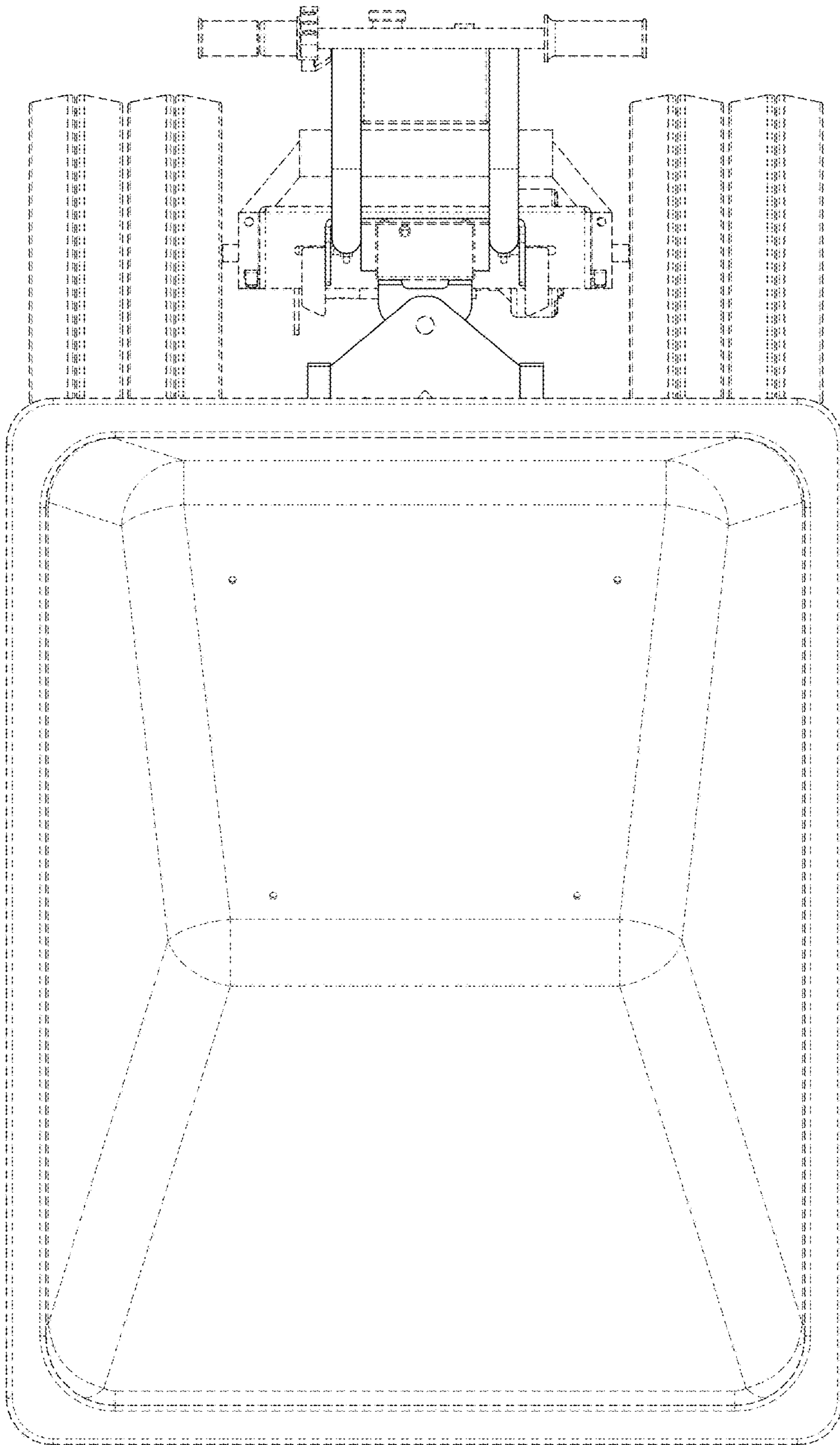


FIG. 7