



US00D779760S

(12) **United States Design Patent** (10) **Patent No.:** **US D779,760 S**
Bersch et al. (45) **Date of Patent:** **** Feb. 21, 2017**

(54) **RECEPTACLE**

(71) Applicant: **The Prestwick Group, Inc.**, Sussex,
WI (US)
(72) Inventors: **Patrick William Bersch**, Lannon, WI
(US); **Paul Francis Karalewitz, Jr.**,
Richfield, WI (US); **Tyler John Morse**,
Oconomowoc, WI (US)

D326,341 S 5/1992 Frauhiger
5,174,468 A 12/1992 Holderman
D332,332 S 1/1993 Markey
D333,542 S 2/1993 McKenzie
D334,852 S 4/1993 Beirise
D335,012 S 4/1993 Broussard
D335,730 S 5/1993 Tessner et al.
D339,438 S 9/1993 Moran
D344,381 S 2/1994 Martin et al.
D356,419 S 3/1995 Kamm
D423,167 S 4/2000 Welch

(Continued)

(73) Assignee: **The Prestwick Group, Inc.**, Sussex,
WI (US)

(**) Term: **15 Years**

(21) Appl. No.: **29/552,342**

(22) Filed: **Jan. 21, 2016**

(51) **LOC (10) Cl.** **09-09**

(52) **U.S. Cl.**
USPC **D34/1**

(58) **Field of Classification Search**
USPC D34/1, 7, 2, 3, 4, 5, 6, 8, 9, 10, 11, 12,
D34/13, 14, 17, 19, 20, 21, 25; 220/23,
220/495, 500-575, 255, 262-264, 908,
220/908.1, 909, 910, 911; 232/43.1-43.5
CPC B65F 1/004; B65F 1/06; B65F 1/067;
B65F 1/006; B65F 1/0046; B65F 1/068;
B65F 1/16; B65F 1/1468; B65F 1/0073;
B65F 1/085; B65F 1/141; B65F
2210/1125; B65F 2210/1126; B65F
2210/1128; B65F 1/04; B65F 1/08; B65F
1/10; B65F 1/14; B65F 1/1405; B65F
1/1415; B65F 1/1436; B65F 1/163
See application file for complete search history.

(56) **References Cited**

U.S. PATENT DOCUMENTS

3,893,615 A 7/1975 Johnson
D292,037 S 9/1987 Hanifl
5,085,342 A 2/1992 Strawder

OTHER PUBLICATIONS

U.S. Appl. No. 29/535,458, filed Aug. 6, 2015, Bergemann et al.
(Continued)

Primary Examiner — Cynthia Ramirez
Assistant Examiner — Michael Maharajh
(74) *Attorney, Agent, or Firm* — Reinhart Boerner Van
Deuren s.c.

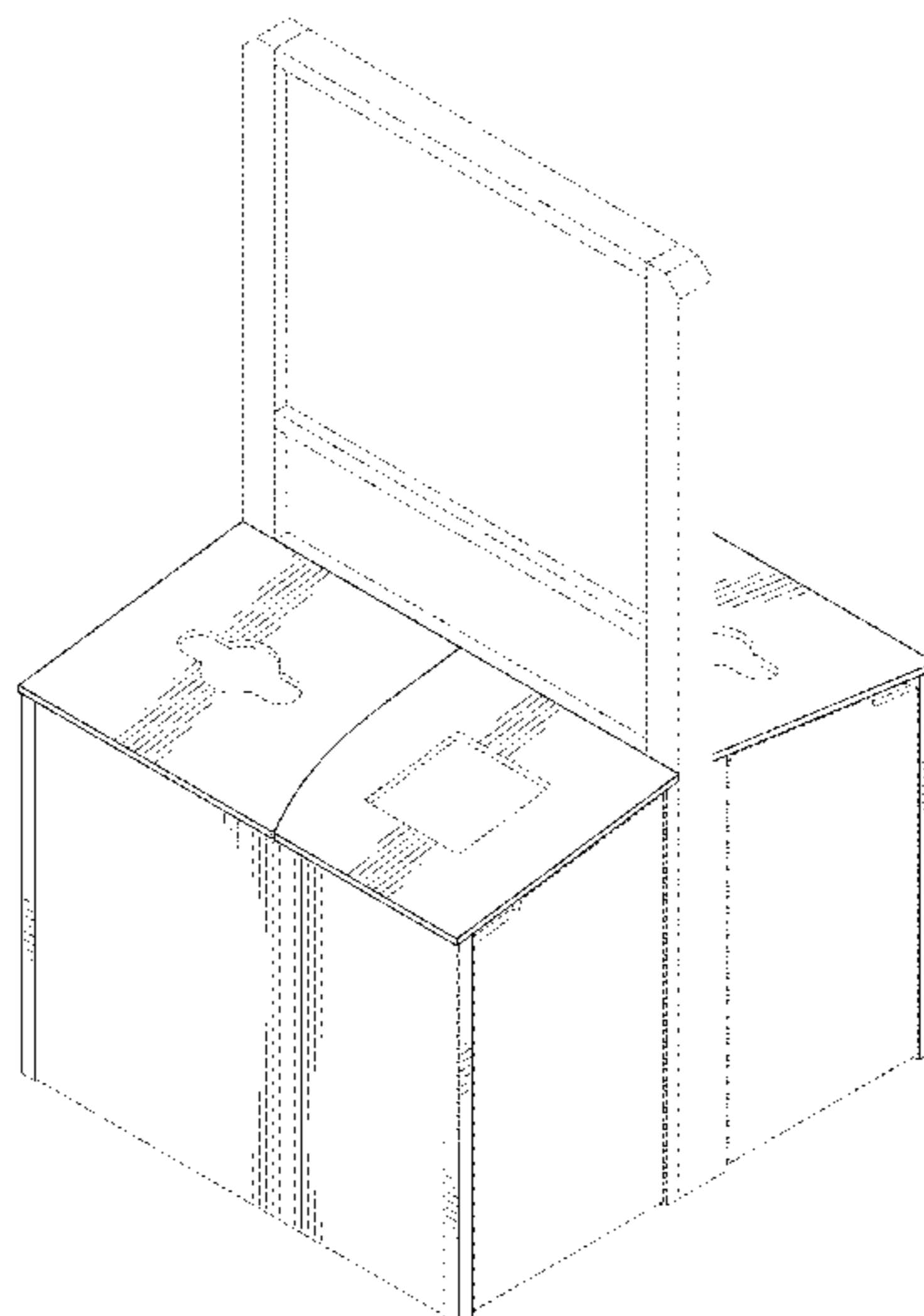
(57) **CLAIM**

We claim the ornamental design for a receptacle, as shown
and described.

DESCRIPTION

FIG. 1 is a front perspective view of the receptacle showing
our new design;
FIG. 2 is a rear perspective view thereof;
FIG. 3 is a front elevational view thereof;
FIG. 4 is a rear elevational view thereof;
FIG. 5 is a top plan view thereof;
FIG. 6 is a bottom plan view thereof;
FIG. 7 is a right side elevational view thereof;
FIG. 8 is a left side elevational view thereof; and,
FIG. 9 is a bottom perspective view thereof.
The broken lines in the drawings are included for the
purpose of illustrating portions of the receptacle and form no
part of the claimed design.

1 Claim, 9 Drawing Sheets



(56)

References Cited

U.S. PATENT DOCUMENTS

D431,733	S	10/2000	Zimmerman	
D477,474	S	7/2003	Milligan	
D535,447	S	1/2007	Olivetti	
D545,590	S	7/2007	Good	
D584,467	S *	1/2009	Tuncel	D34/7
D584,468	S *	1/2009	Liao	D34/9
D586,521	S	2/2009	Pho et al.	
D587,420	S *	2/2009	Lin	D34/7
D587,452	S *	3/2009	Bisson	D3/272
D588,772	S *	3/2009	Lin	D34/7
D591,470	S	4/2009	Tuncel	
D596,819	S	7/2009	Mancini	
D605,822	S	12/2009	Cantrell et al.	
D606,272	S	12/2009	Cantrell et al.	
D608,516	S *	1/2010	Cantrell	D34/1
D617,519	S *	6/2010	Malczewski	D34/1
D617,968	S *	6/2010	Andresen	D34/1
D618,417	S *	6/2010	Presnell	D34/7
D638,598	S *	5/2011	Ziech	D34/1
D639,518	S	6/2011	Zeulner	
D668,414	S *	10/2012	McNay	D34/7
D681,301	S	4/2013	Bennie et al.	
D738,588	S	9/2015	Bergemann et al.	
D757,385	S *	5/2016	Peake-Atkins	D34/7
D763,531	S *	8/2016	Mattern	D34/7
2014/0291328	A1	10/2014	Jarrett et al.	
2015/0375937	A1 *	12/2015	McIntosh	B65F 1/1607 220/523

OTHER PUBLICATIONS

Max-R website material, Busser Stations, available at <http://www.max-r.net/store/busser-stations.asp>, illustrating products publicly available prior to Dec. 5, 2013, accessed on Jan. 27, 2014, 1 page.

Max-R website material, Restaurants, available at http://www.max-r.net/cafeteria_restuarants.asp, illustrating products publicly available prior to Dec. 5, 2013, accessed on Jan. 27, 2014, 2 pages.

Max-R website material, Max-R's Halston Collection—Recycling Bins, Waste Bins, available at http://www.max-r.net/store/halston_collection.asp, illustrating products publicly available prior to Dec. 5, 2013, accessed on Jan. 27, 2014, 2 pages.

Max-R website material, Lamboo® Material, available at <http://www.max-r.net/lamboo.asp>, illustrating products publicly available prior to Dec. 5, 2013, accessed on Jan. 27, 2014, 2 pages.

Max-R website material, Oxford Collection—Recycling Bins, Waste Bins, available at http://www.max-r.net/store/oxford_collection.asp, illustrating products publicly available prior to Dec. 5, 2013, accessed on Jan. 27, 2014, 2 pages.

Max-R website material, Max-R's Terra Collection—Recycling Bins, Waste Bins, available at http://www.max-r.net/store/terra_collection.asp, illustrating products publicly available prior to Dec. 5, 2013, accessed on Jan. 27, 2014, 2 pages.

Max-R website material, Towel Stations, available at <http://www.max-r.net/store/towel-stations.asp>, illustrating products publicly available prior to Dec. 5, 2013, accessed on Jan. 27, 2014, 1 page.

Max-R website material, Tuscany Collection—Waste Recycling Bins, available at http://www.max-r.net/store/tuscany_collection.asp, illustrating products publicly available prior to Dec. 5, 2013, accessed on Jan. 27, 2014, 2 pages.

Max-R website material, Max-R's Verde Collection—Recycling Bins, Waste Bins, available at http://www.max-r.net/store/verde_collection.asp, illustrating products publicly available prior to Dec. 5, 2013, accessed on Jan. 27, 2014, 2 pages.

Max-R website material, Waste and Recycling Bins p. 1, available at <http://www.max-r.net/store/waste-and-recycling-bins.asp>, illustrating products publicly available prior to Dec. 5, 2013, accessed on Jan. 27, 2014, 2 pages.

Max-R website material, Waste and Recycling Bins p. 2, available at <http://www.max-r.net/store/waste-and-recycling-bins.asp>, illustrating products publicly available prior to Dec. 5, 2013, accessed on Jan. 27, 2014, 2 pages.

Max-R website material, Waste and Recycling Bins p. 3, available at <http://www.max-r.net/store/waste-and-recycling-bins.asp>, illustrating products publicly available prior to Dec. 5, 2013, accessed on Jan. 27, 2014, 2 pages.

Max-R website material, Waste and Recycling Bins p. 4, available at <http://www.max-r.net/store/waste-and-recycling-bins.asp>, illustrating products publicly available prior to Dec. 5, 2013, accessed on Jan. 27, 2014, 2 pages.

Max-R website material, Waste and Recycling Bins p. 5, available at <http://www.max-r.net/store/waste-and-recycling-bins.asp>, illustrating products publicly available prior to Dec. 5, 2013, accessed on Jan. 27, 2014, 2 pages.

Max-R website material, Waste and Recycling Bins p. 6, available at <http://www.max-r.net/store/waste-and-recycling-bins.asp>, illustrating products publicly available prior to Dec. 5, 2013, accessed on Jan. 27, 2014, 2 pages.

Max-R website material, Waste and Recycling Bins p. 7, available at <http://www.max-r.net/store/waste-and-recycling-bins.asp>, illustrating products publicly available prior to Dec. 5, 2013, accessed on Jan. 27, 2014, 2 pages.

Max-R website material, Waste and Recycling Bins p. 8, available at <http://www.max-r.net/store/waste-and-recycling-bins.asp>, illustrating products publicly available prior to Dec. 5, 2013, accessed on Jan. 27, 2014, 2 pages.

Max-R website material, Verde Split Double Topload Recycling Stations, available at <http://www.max-r.net/store/viewProduct.asp?idProduct=4990>, illustrating products publicly available at least by Jan. 20, 2016, accessed on Jan. 22, 2016, 1 page.

Max-R website material, Oxford 22 Gallon Quad Recycling Station, available at <http://www.max-r.net/store/viewProduct.asp?idProduct=6798>, illustrating products publicly available at least by Jan. 20, 2016, accessed on Jan. 22, 2016, 1 page.

Max-R website material, Double-Sided Standard Message Centers, available at <http://www.max-r.net/store/viewProduct.asp?idProduct=3494>, illustrating products publicly available at least by Jan. 20, 2016, accessed on Jan. 22, 2016, 1 page.

Max-R website material, Double-Sided Vertical Message Centers, available at <http://www.max-r.net/store/viewProduct.asp?idProduct=3502>, illustrating products publicly available at least by Jan. 20, 2016, accessed on Jan. 22, 2016, 1 page.

Max-R website material, Albany Triple Stream Top Load, available at <http://www.max-r.net/product/albany-triple-topload-recycling-bin>, illustrating products publicly available at least by Jan. 20, 2016, accessed on Feb. 23, 2016, 4 pages.

Max-R website material, Albany Double Stream Top Load, available at <http://www.max-r.net/product/albany-double-top-load-recycling-bin>, illustrating products publicly available at least by Jan. 20, 2016, accessed on Feb. 23, 2016, 4 pages.

* cited by examiner

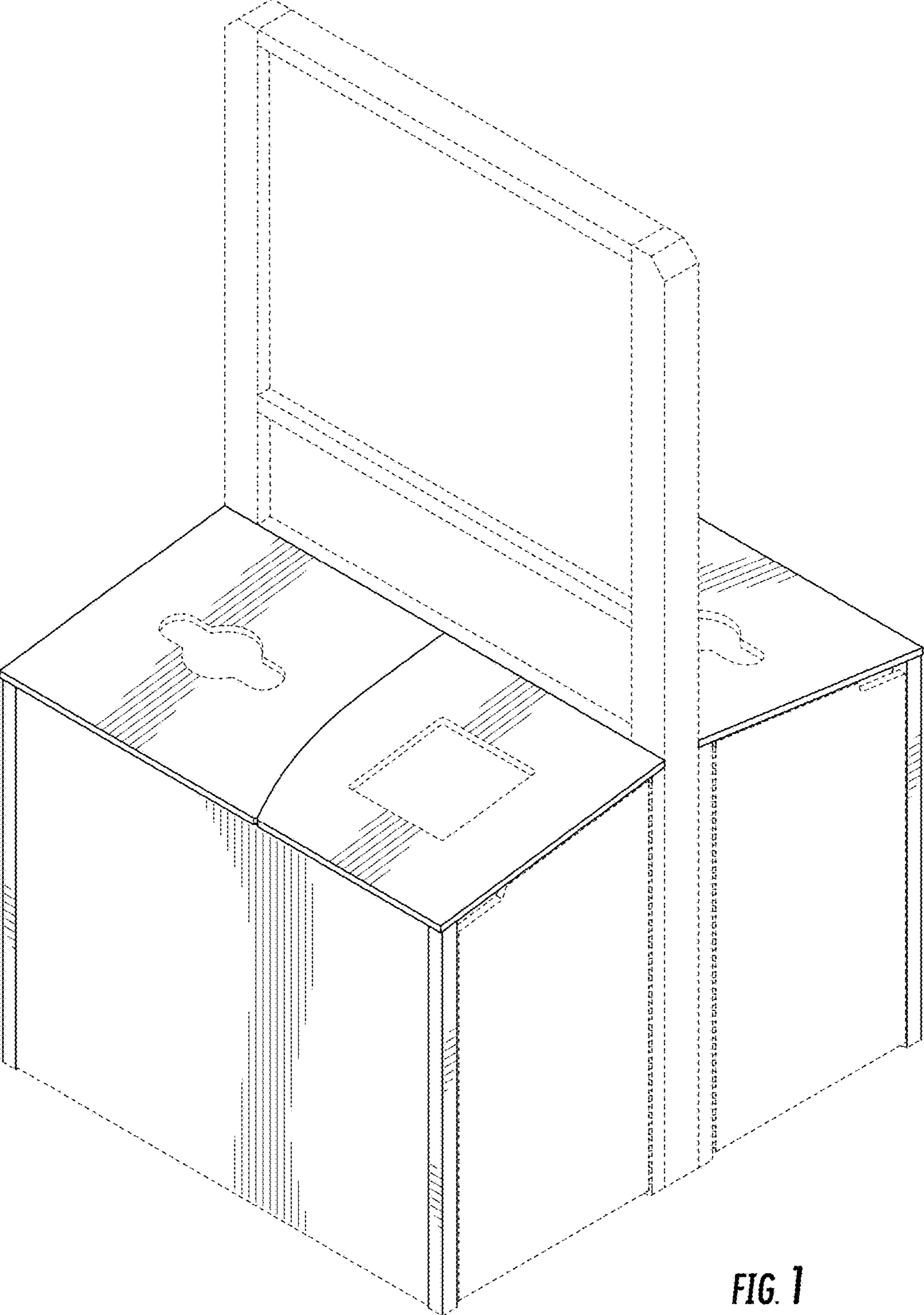


FIG. 1

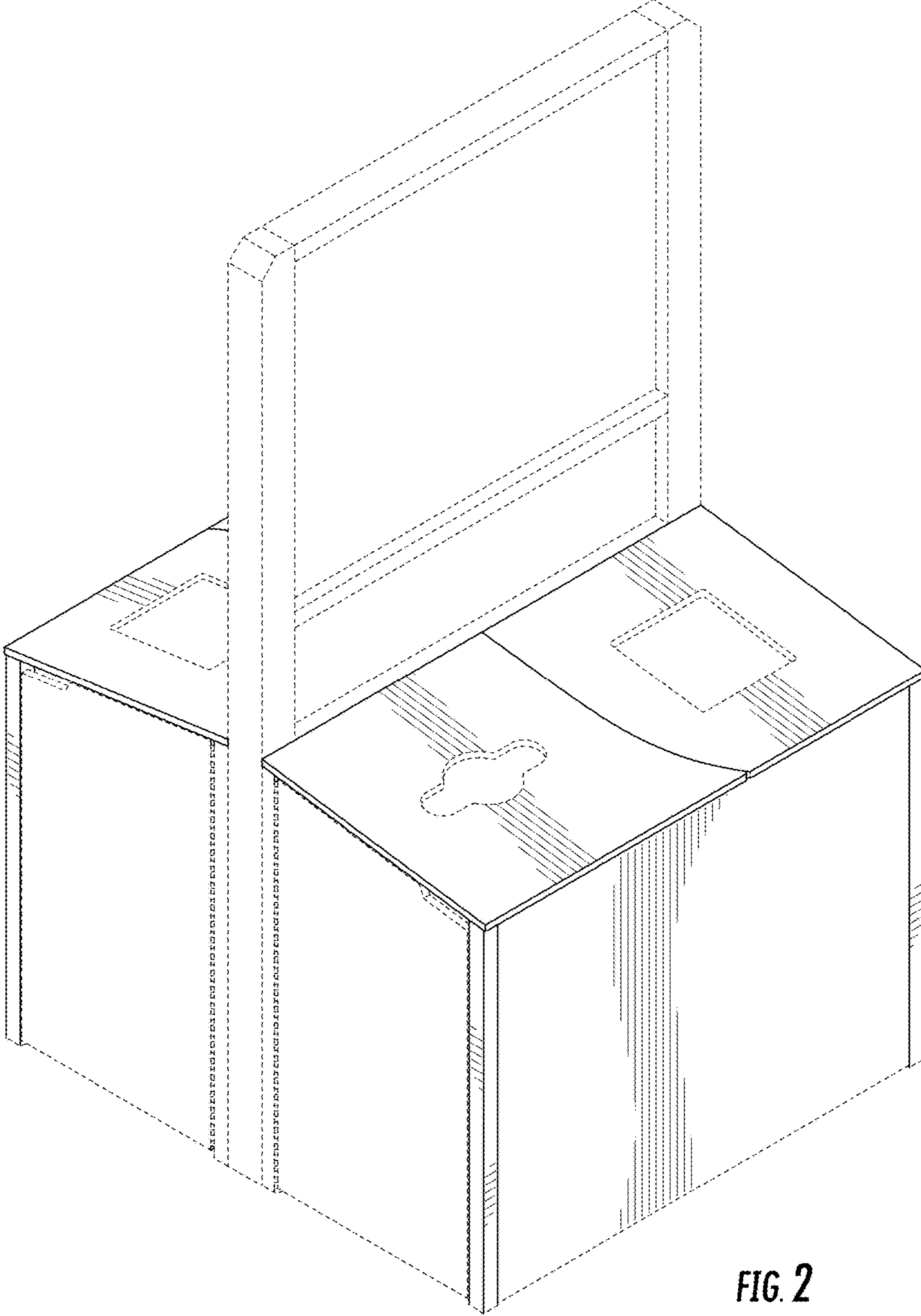


FIG. 2

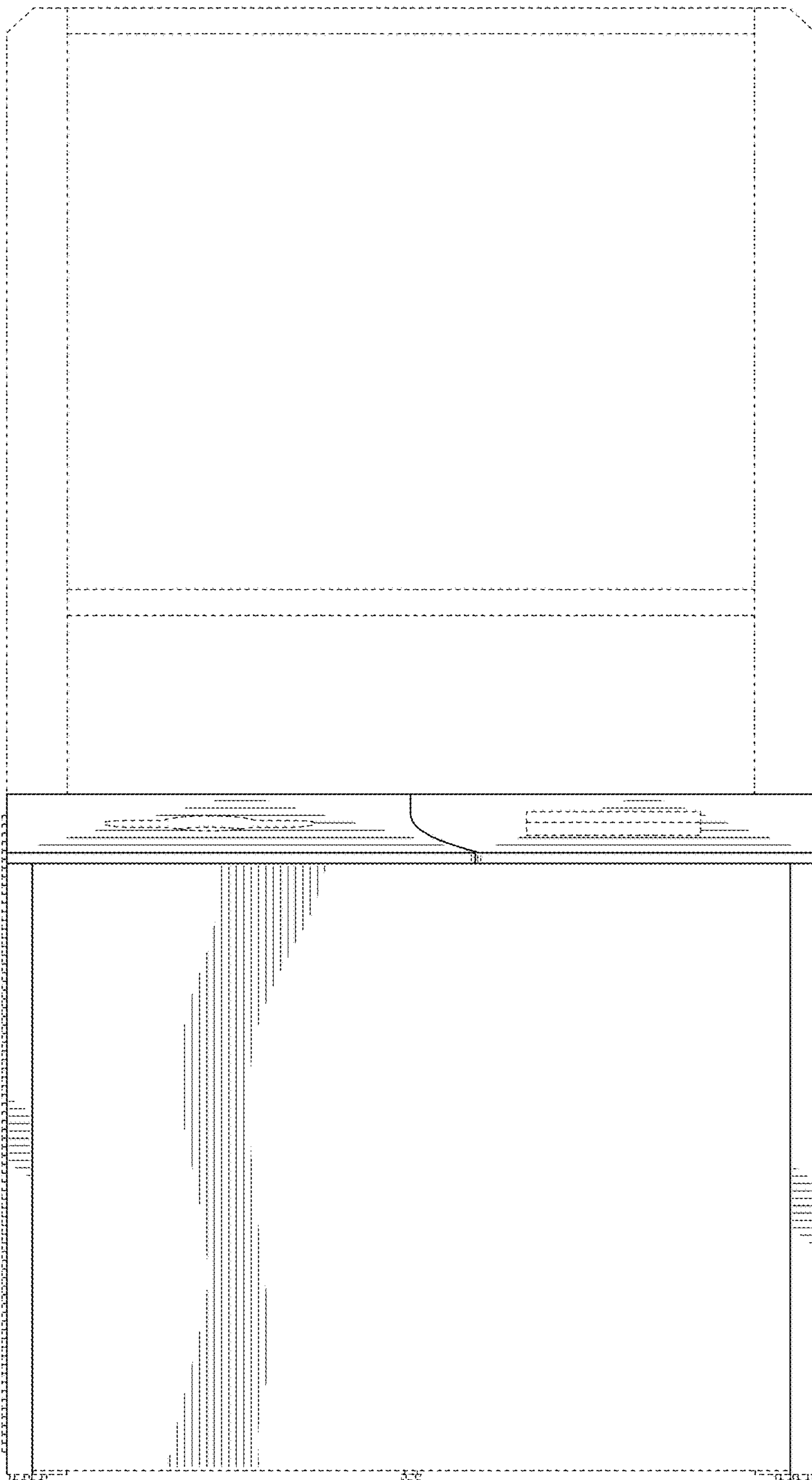


FIG. 3

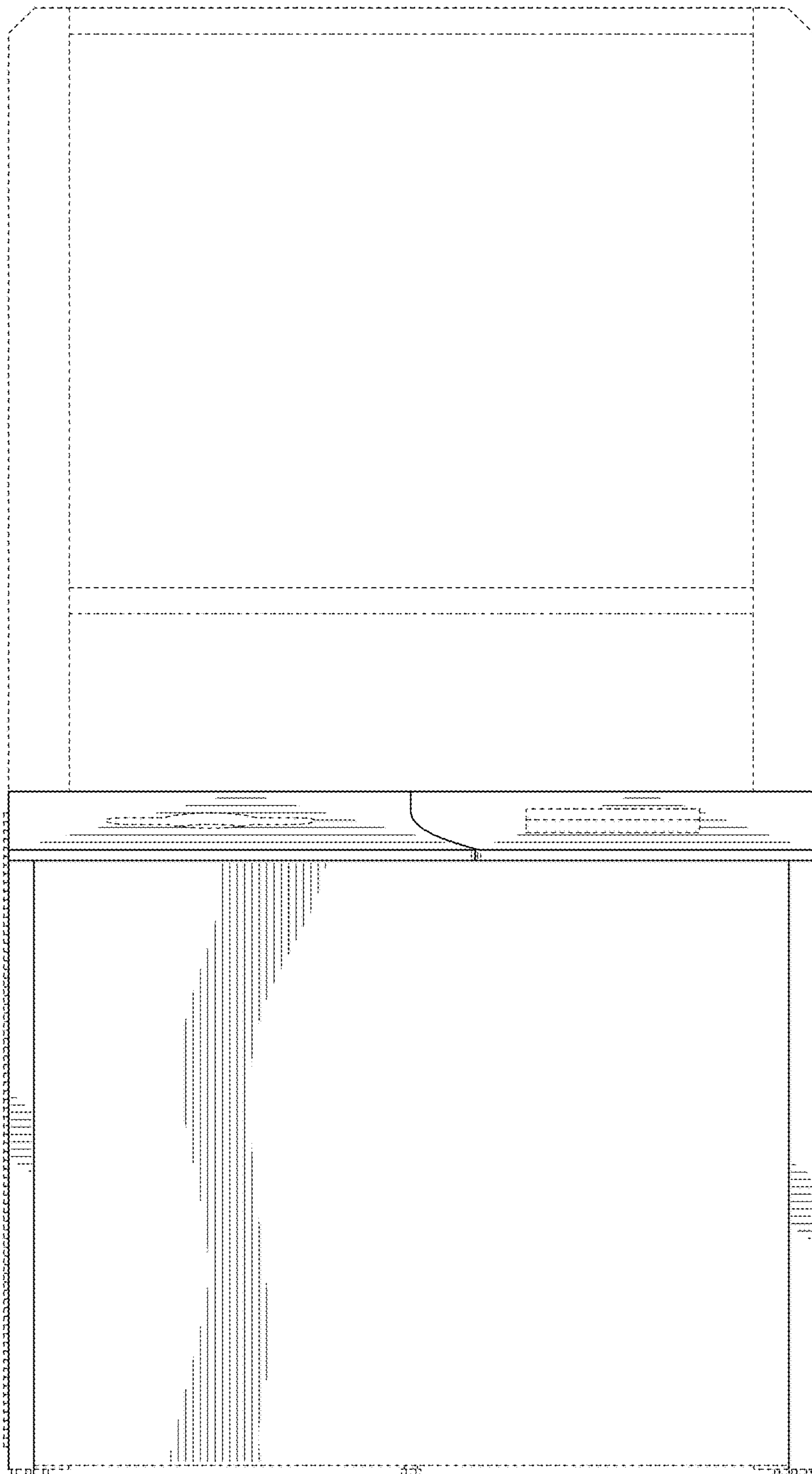


FIG. 4

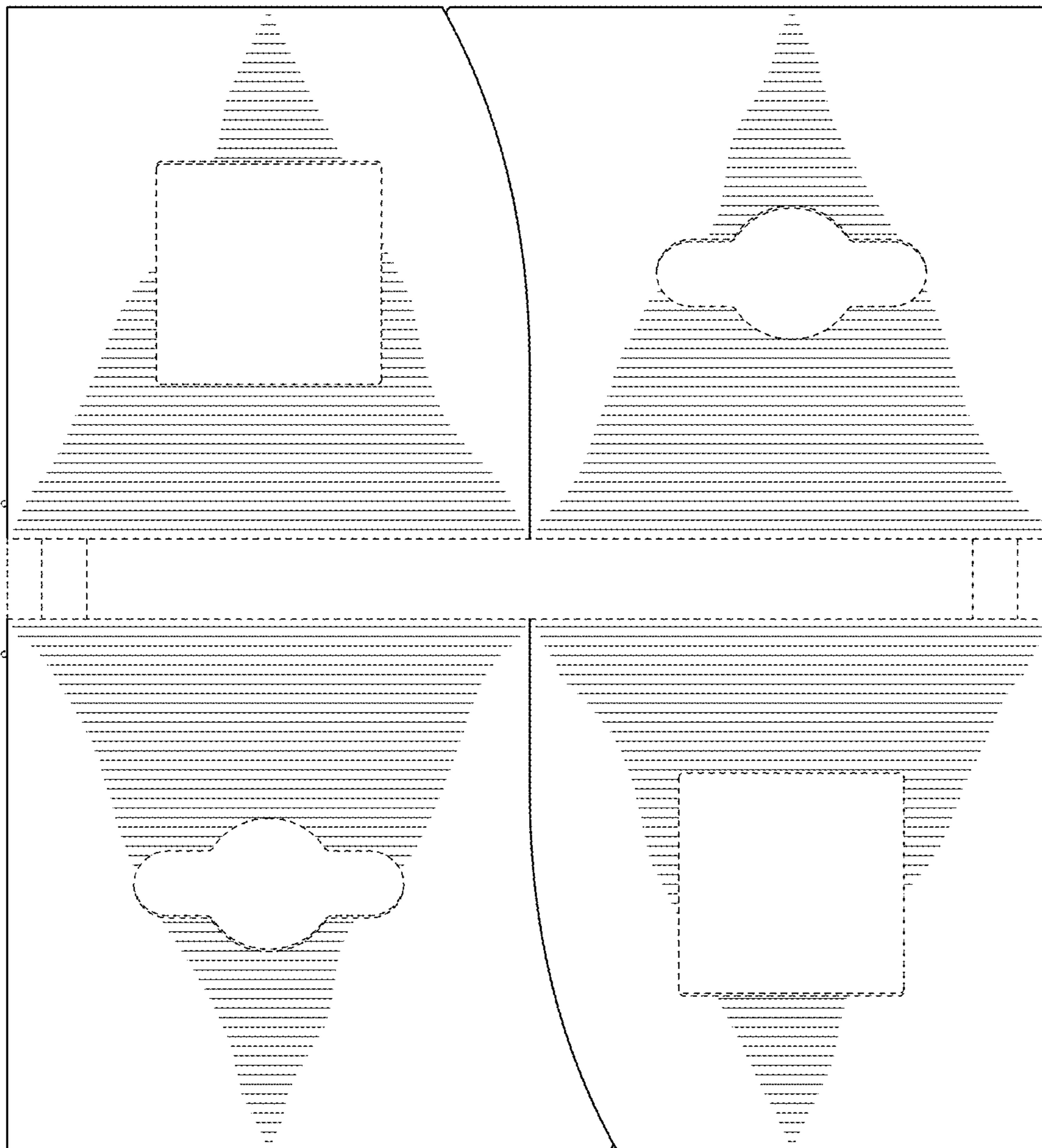


FIG. 5

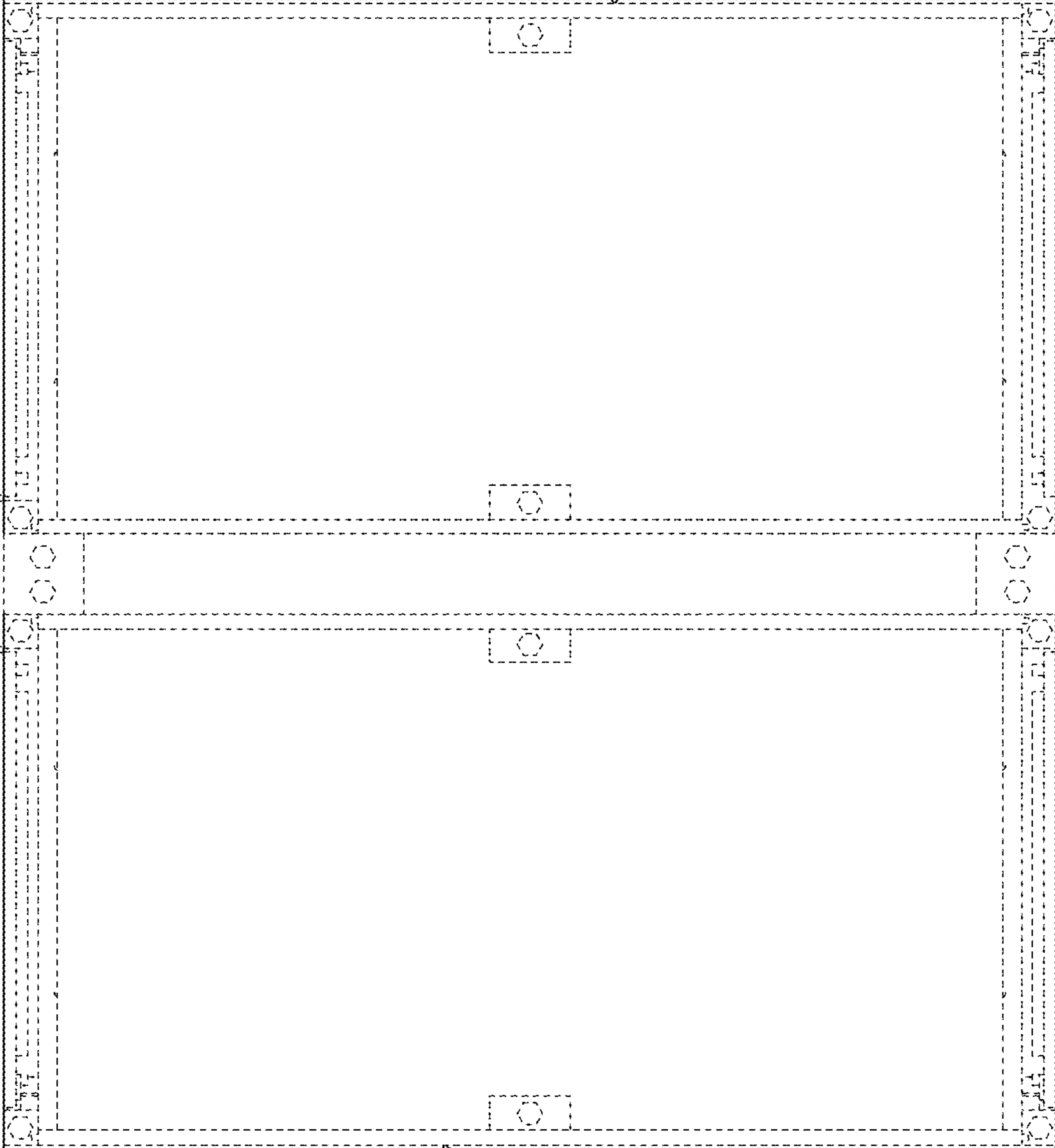


FIG. 6

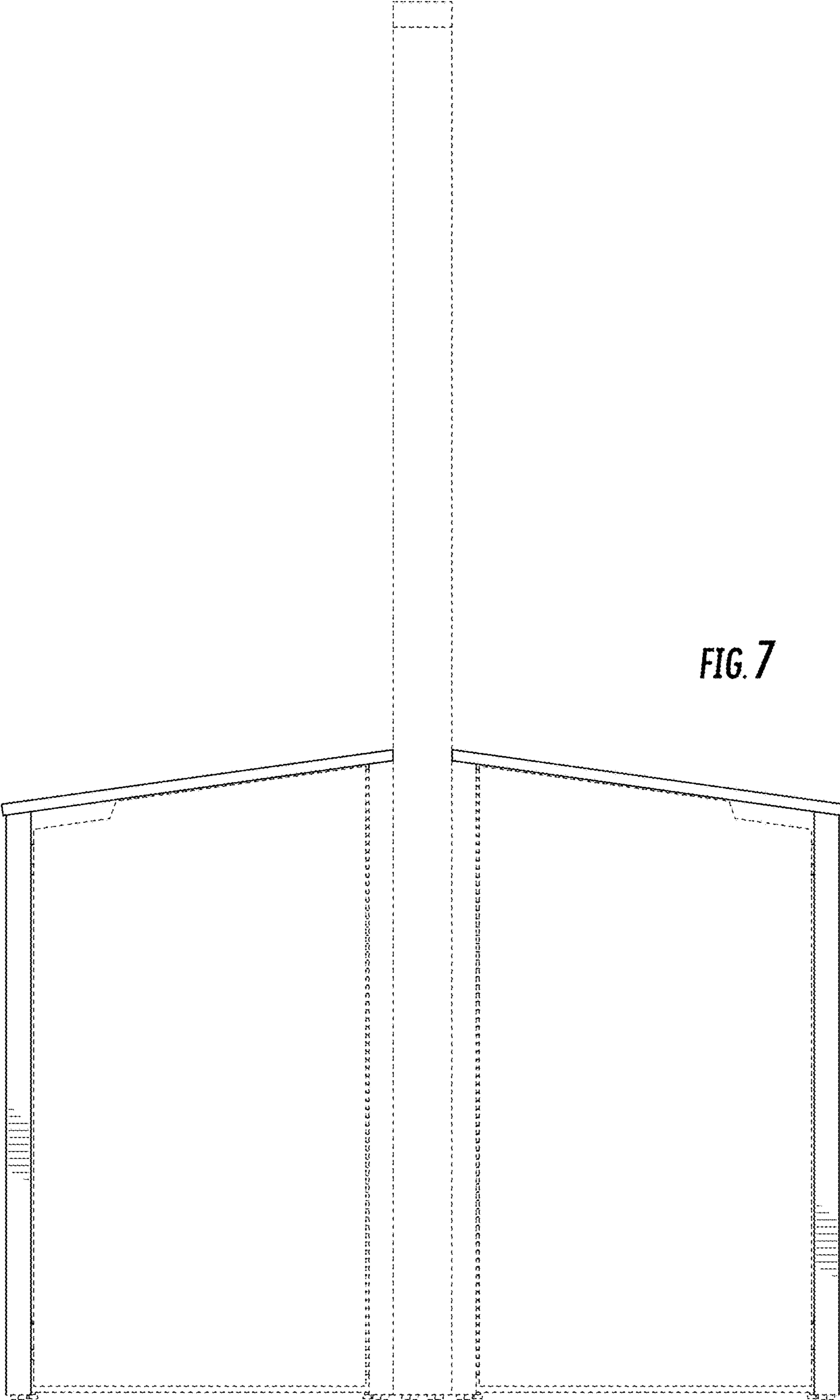


FIG. 7

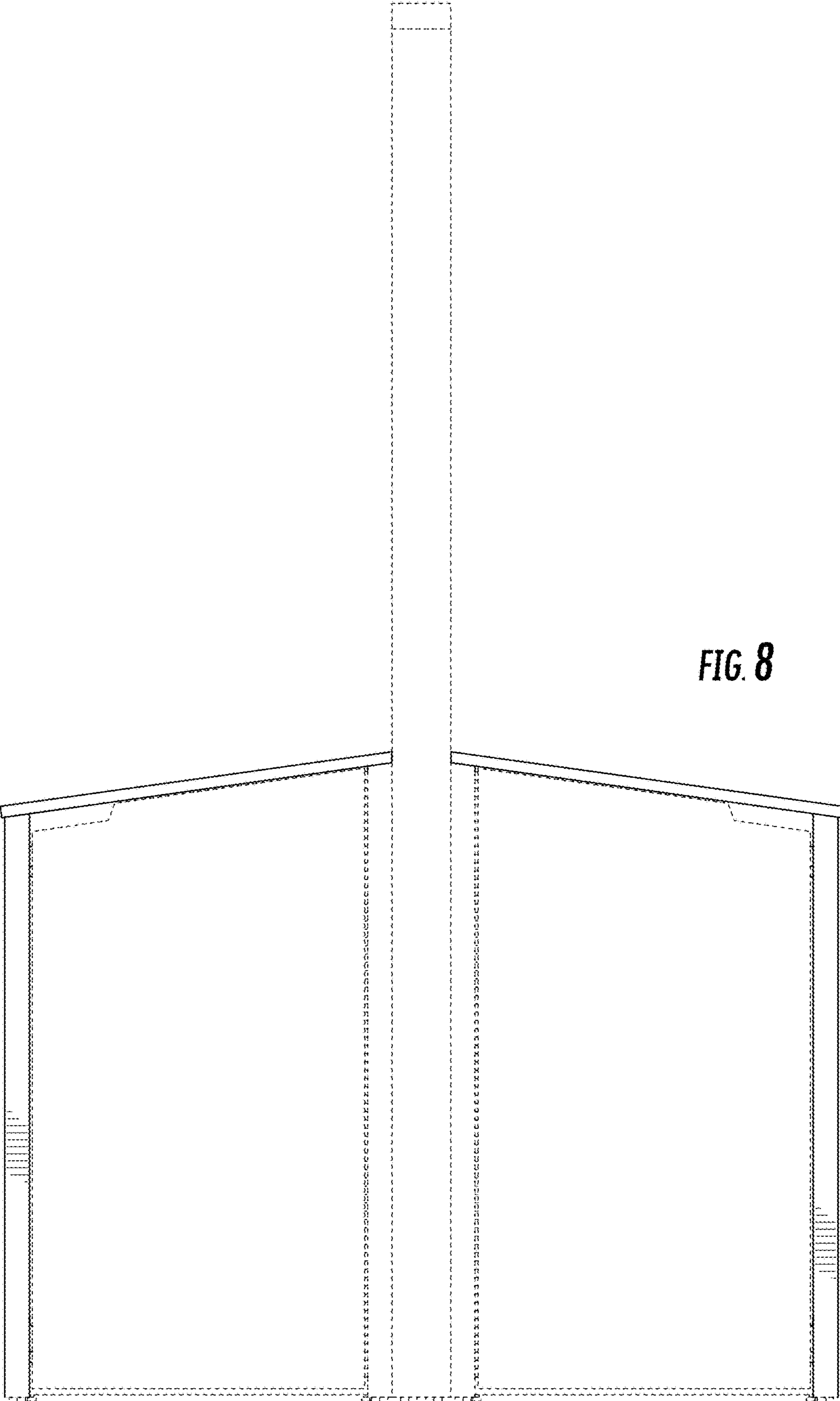


FIG. 8

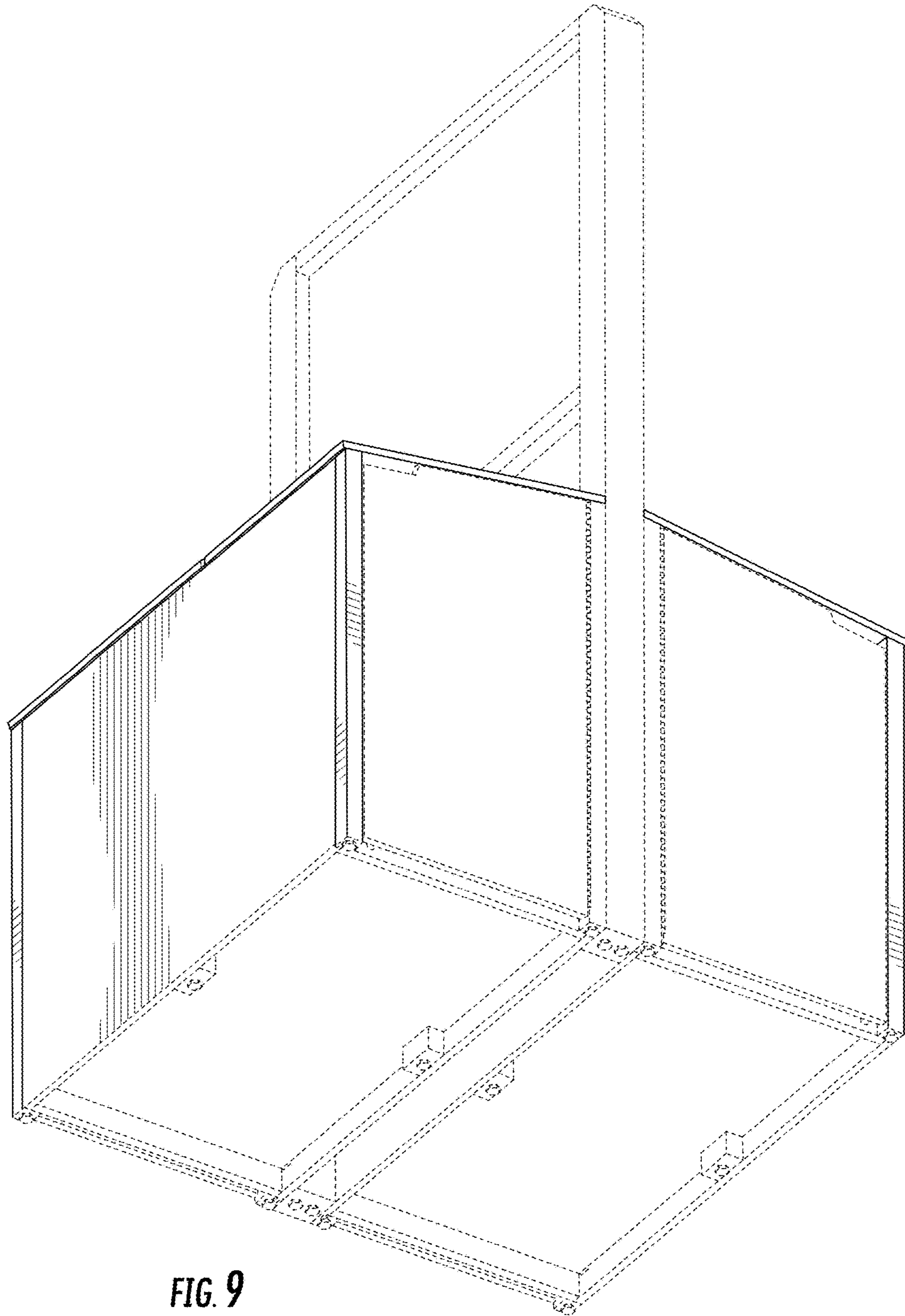


FIG. 9