



US00D779759S

(12) **United States Design Patent** (10) **Patent No.:** **US D779,759 S**
Martin (45) **Date of Patent:** **** Feb. 21, 2017**

(54) **WASTE BASKET**

(71) Applicant: **Dale M. Martin**, Cambria Heights, NY
(US)

(72) Inventor: **Dale M. Martin**, Cambria Heights, NY
(US)

(**) Term: **15 Years**

(21) Appl. No.: **29/550,554**

(22) Filed: **Jan. 5, 2016**

(51) **LOC (10) Cl.** **09-09**

(52) **U.S. Cl.**
USPC **D34/1**

(58) **Field of Classification Search**
USPC D34/1-11; D7/301, 507, 522, 533, 612,
D7/619.1; 220/62, 62.18, 569, 4.04, 703,
220/737, 908; D19/77, 81, 84; D6/556,
D6/557, 558, 403, 405; D11/143
CPC B65F 1/062; B65F 1/02; B65F 1/16;
B65F 2230/134; B65F 1/002; B65F 1/04;
B65F 1/0013
See application file for complete search history.

(56) **References Cited**

U.S. PATENT DOCUMENTS

D352,480 S * 11/1994 Carlson 47/79
D409,372 S * 5/1999 Wang D19/75

D485,405 S * 1/2004 Vize D34/7
D553,321 S * 10/2007 Wilkinson D34/6
D670,884 S * 11/2012 Tuncel D34/7
D709,660 S * 7/2014 Deen D34/1
D766,533 S * 9/2016 Valderas D34/5

* cited by examiner

Primary Examiner — Cynthia Ramirez
Assistant Examiner — Michael Maharajh
(74) *Attorney, Agent, or Firm* — Dunlap Bennett &
Ludwig PLLC

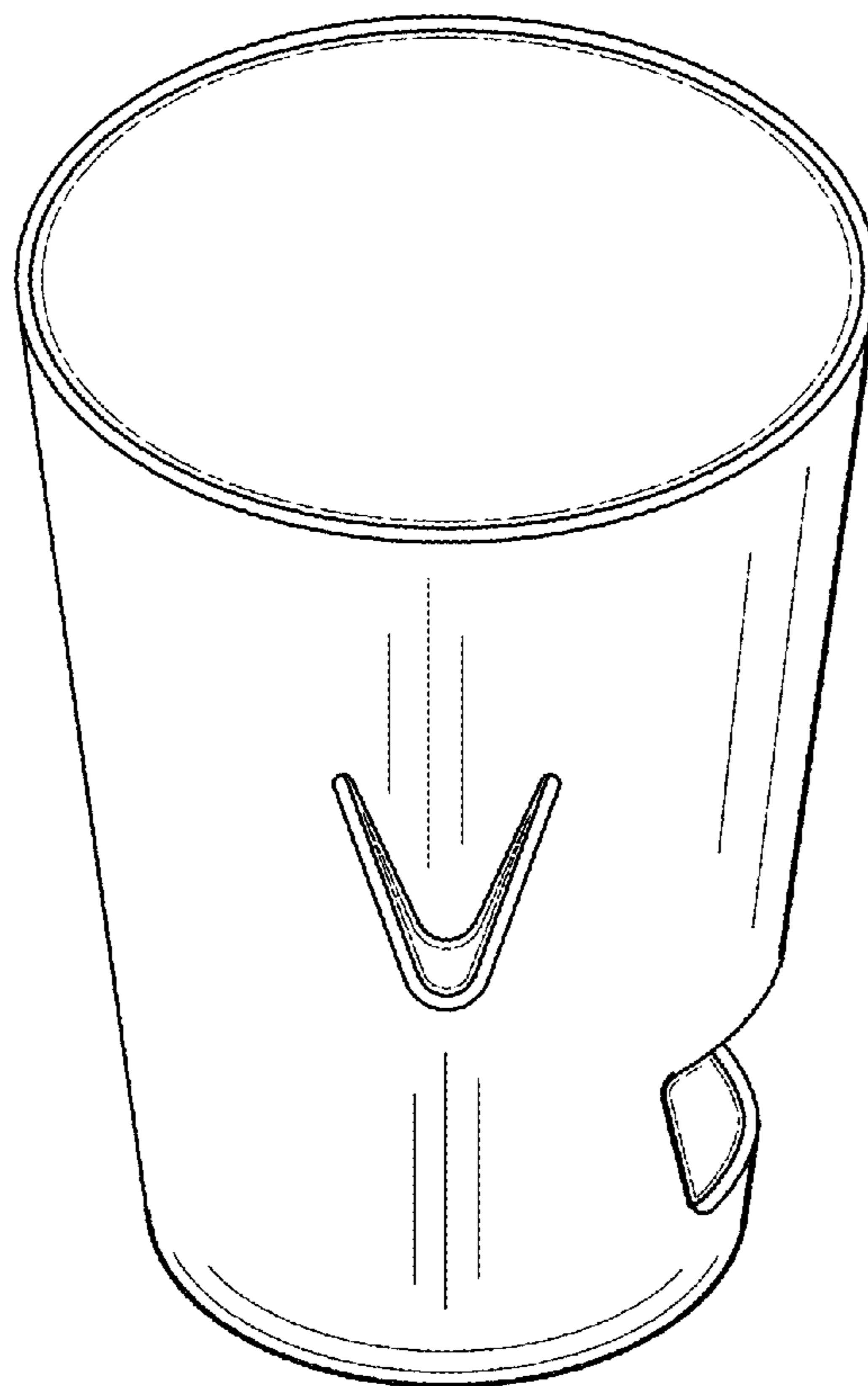
(57) **CLAIM**

The ornamental design for a waste basket, as shown and described.

DESCRIPTION

FIG. 1 is a top perspective view of a waste basket;
FIG. 2 is a bottom perspective view thereof;
FIG. 3 is a front elevation view thereof;
FIG. 4 is a left side elevation view thereof, a right side
elevation view being a mirror image thereof;
FIG. 5 is a rear elevation view thereof;
FIG. 6 is a top plan view thereof; and,
FIG. 7 is a bottom plan view thereof.
The line-dash broken lines represent the bounds of the
claimed design and form no part thereof.

1 Claim, 4 Drawing Sheets



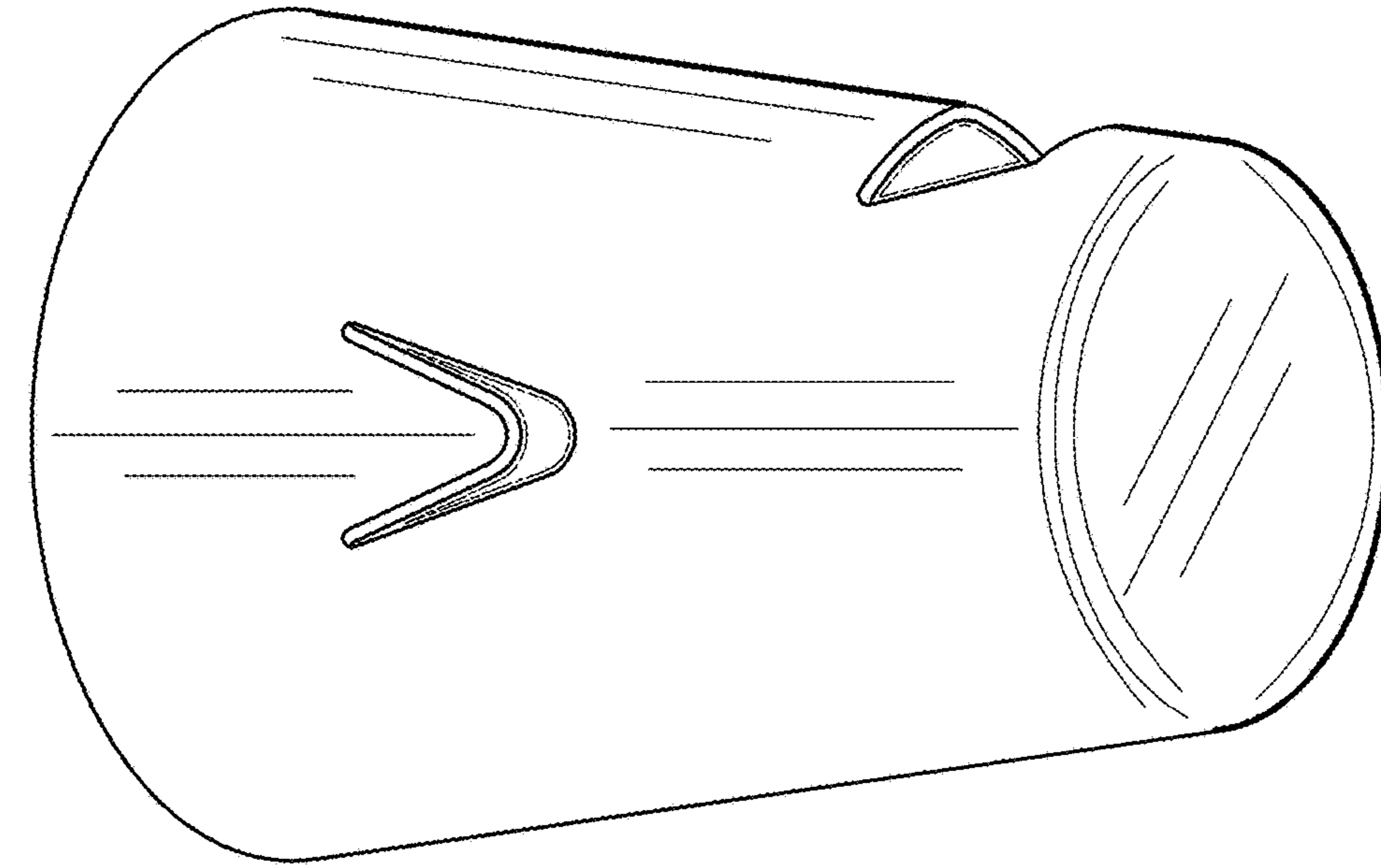


Fig. 1

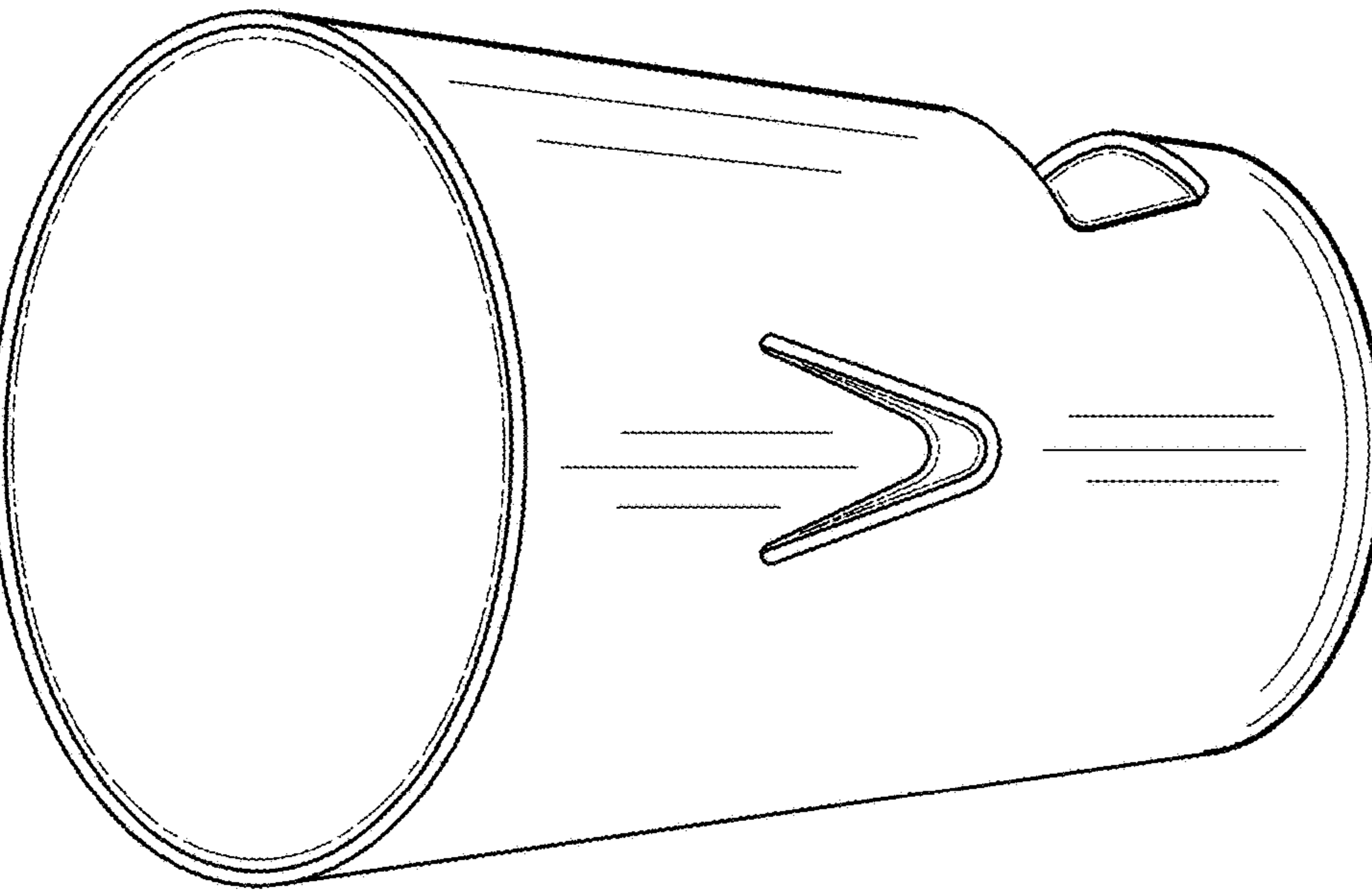


Fig. 2

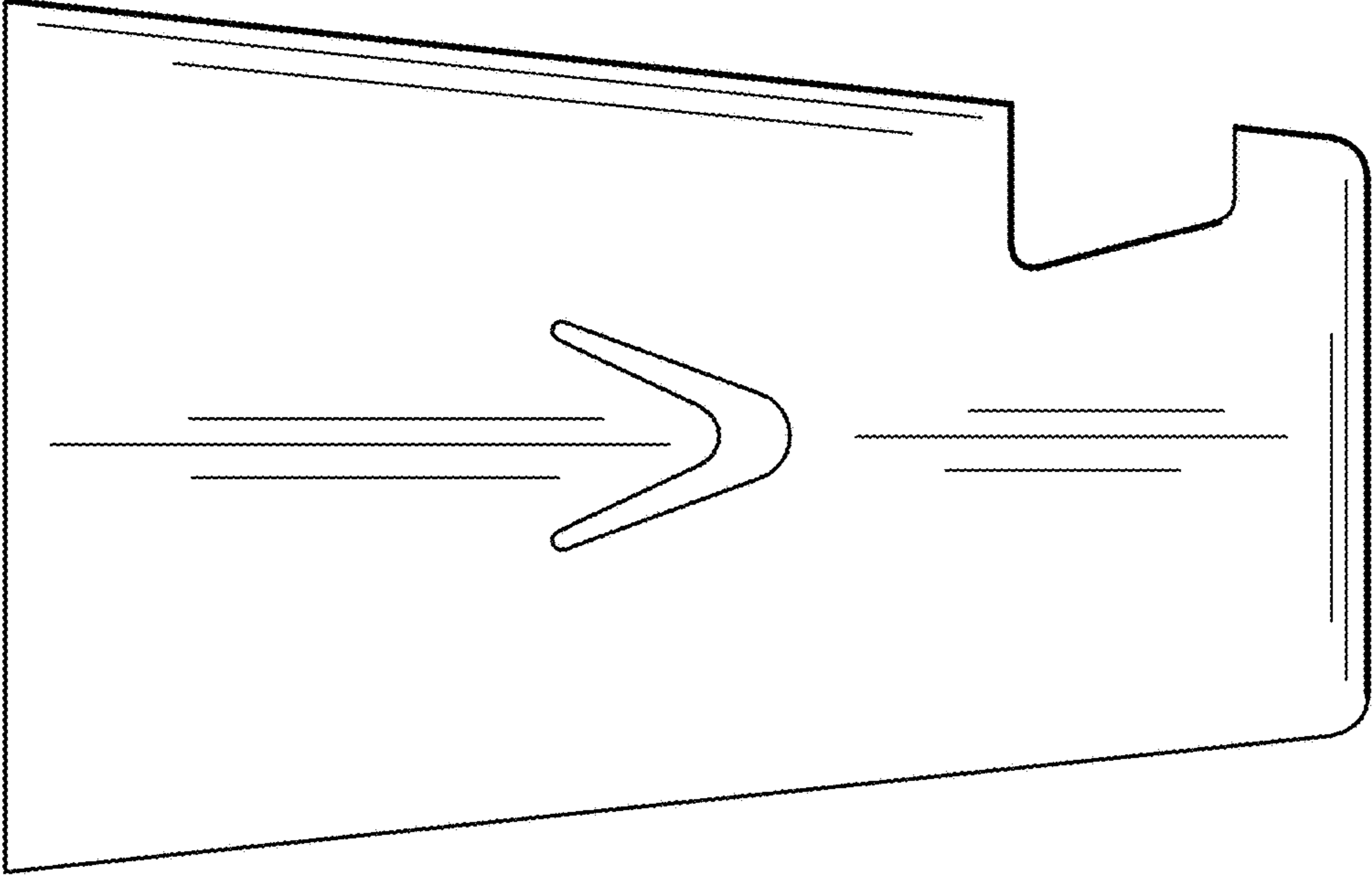


Fig. 3

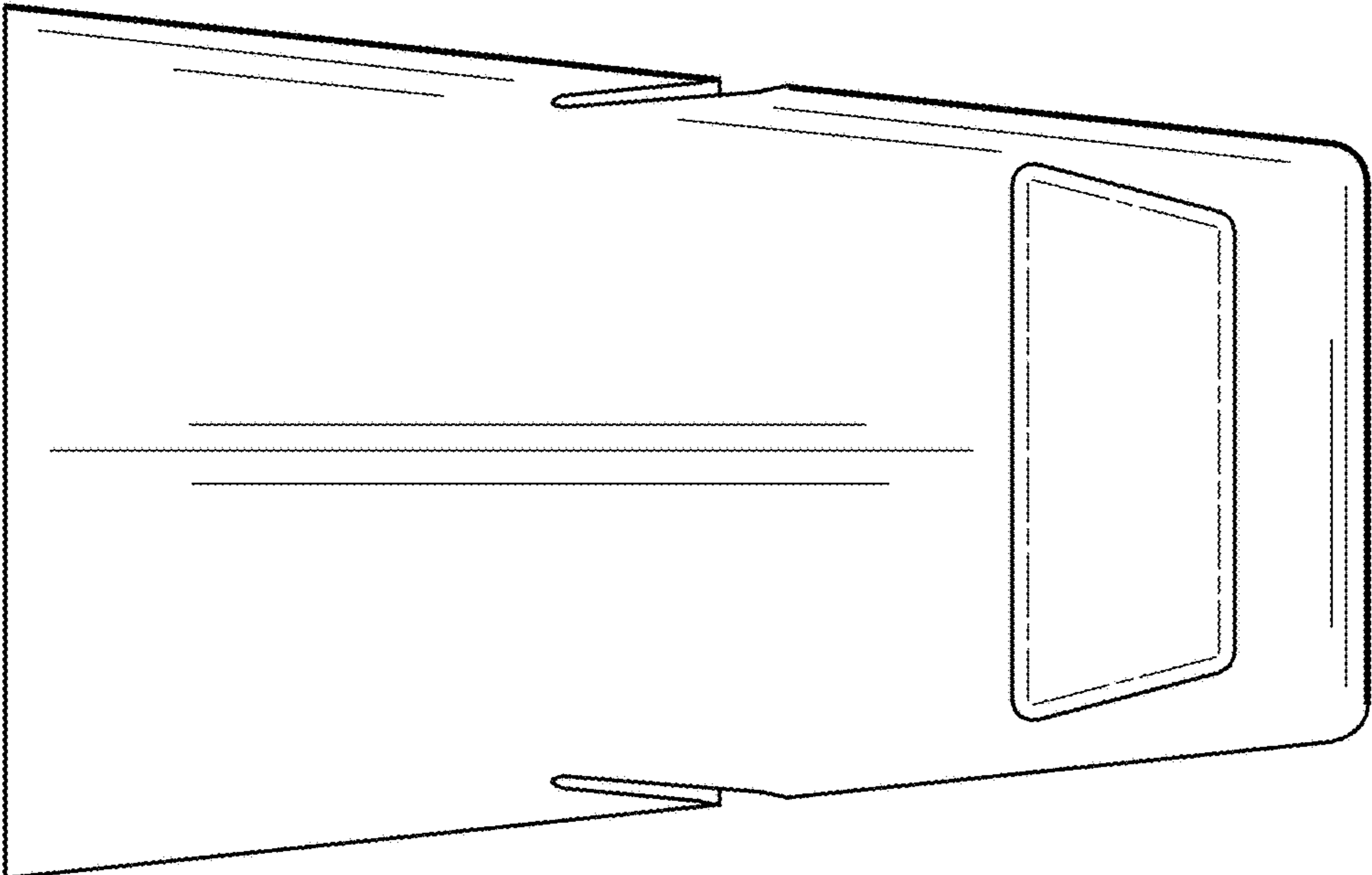


Fig. 4

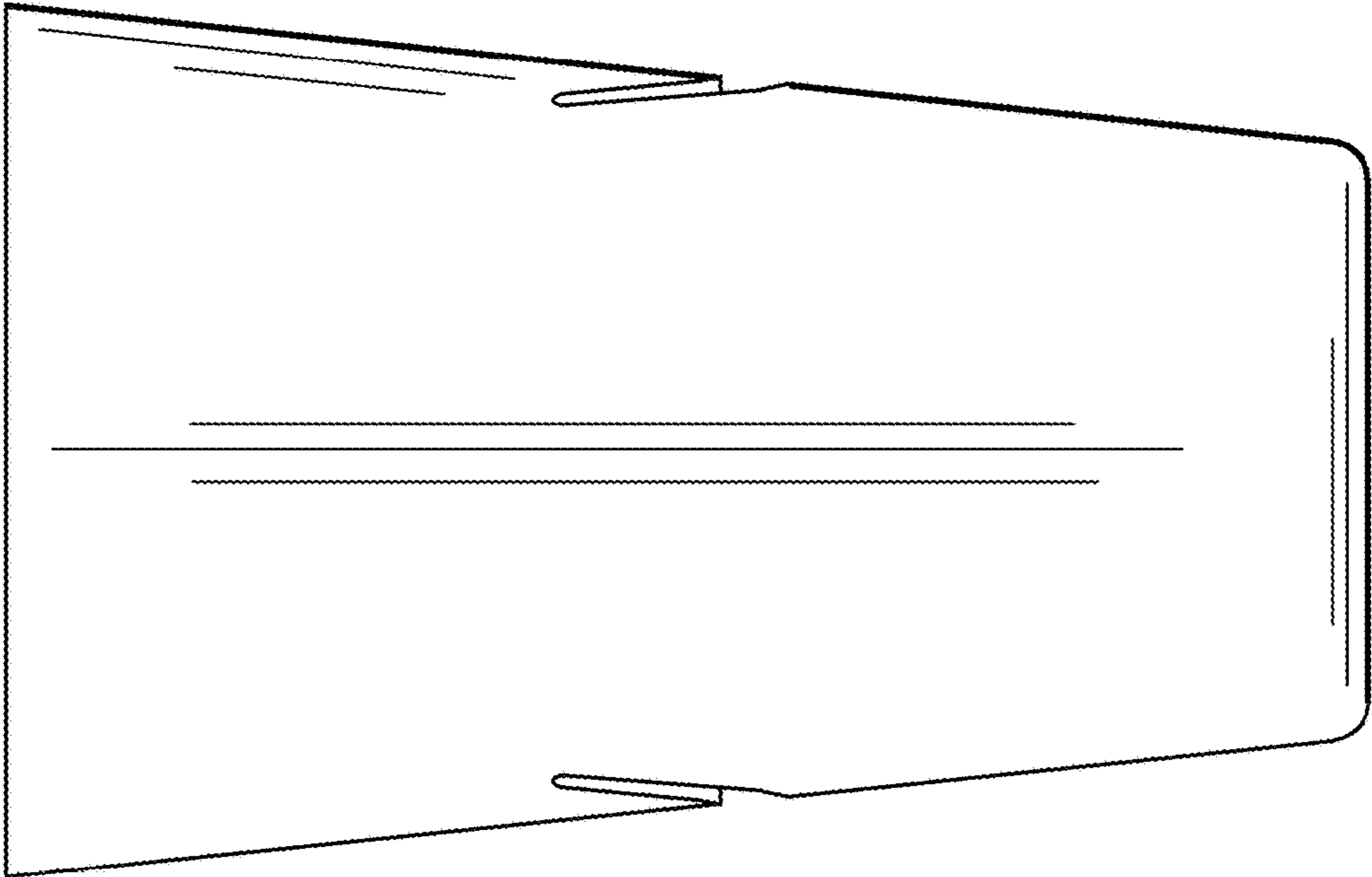


Fig. 5

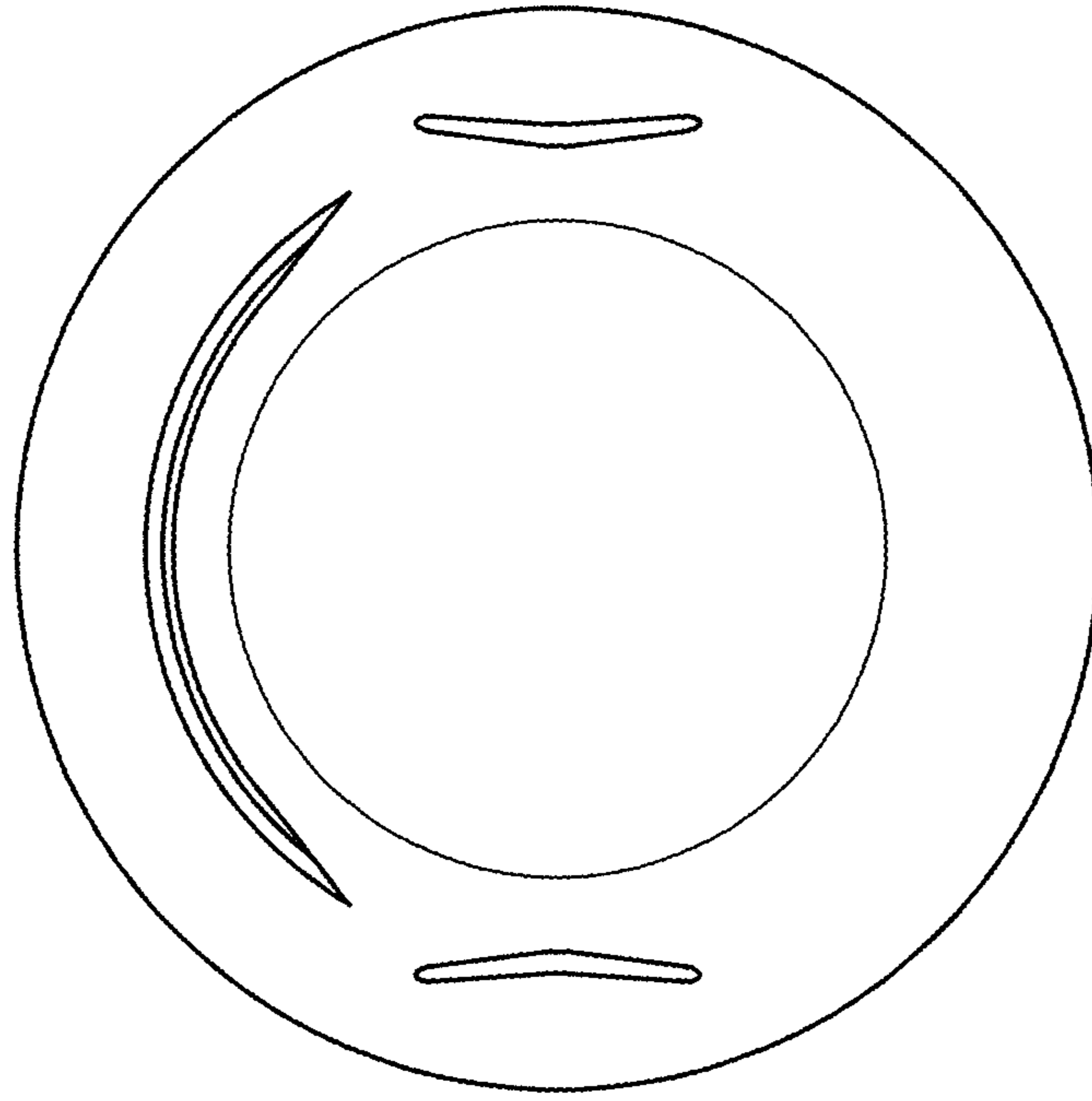


Fig. 7

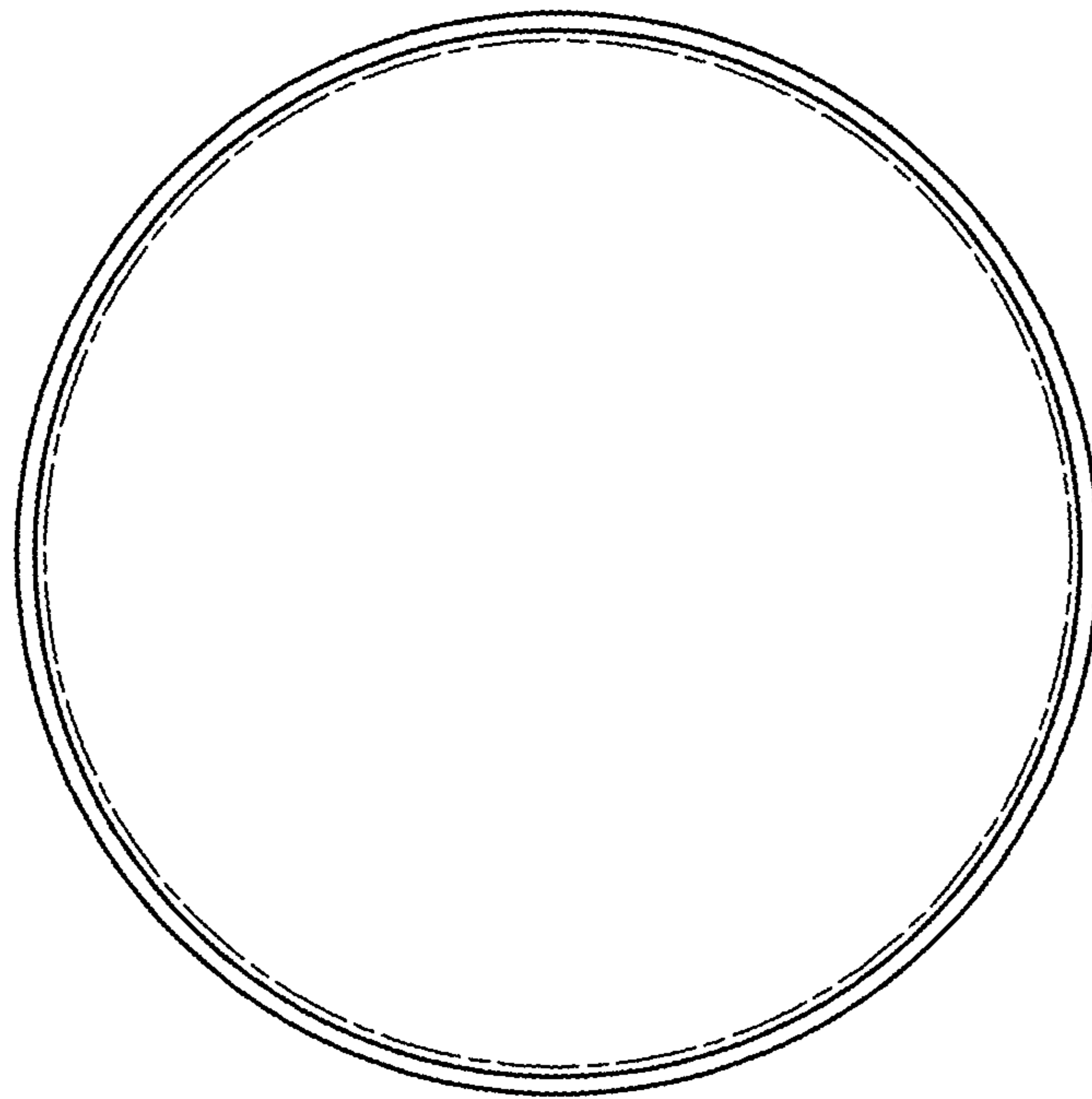


Fig. 6