



US00D779758S

(12) **United States Design Patent** (10) **Patent No.:** **US D779,758 S**  
**McGlew** (45) **Date of Patent:** **\*\* Feb. 21, 2017**

(54) **DUST PAN**  
(71) Applicant: **John Perry McGlew**, Briarcliff Manor, NY (US)  
(72) Inventor: **John Perry McGlew**, Briarcliff Manor, NY (US)  
(\*\*) Term: **14 Years**  
(21) Appl. No.: **29/493,582**  
(22) Filed: **Jun. 11, 2014**

5,588,174 A \* 12/1996 Godfrey ..... A47L 13/52  
15/159.1  
D381,155 S \* 7/1997 Powers ..... D32/74  
D398,115 S \* 9/1998 Footer ..... D32/74  
6,233,780 B1 \* 5/2001 Mead ..... A47L 13/52  
15/257.3  
D475,828 S \* 6/2003 Libman ..... D32/74  
6,643,892 B1 \* 11/2003 Murphy ..... A47L 13/52  
15/257.3  
D510,165 S \* 9/2005 Berti ..... D32/74  
D525,004 S \* 7/2006 Berti ..... D32/74  
D546,519 S \* 7/2007 McCollam ..... D32/74  
D586,970 S \* 2/2009 Berti ..... D32/74  
D594,618 S \* 6/2009 ekercio lu ..... D32/74  
D643,985 S \* 8/2011 Dedrick ..... D32/74  
D711,609 S \* 8/2014 Libman ..... D32/74  
D720,909 S \* 1/2015 Vasilakes ..... D32/74  
D720,910 S \* 1/2015 Seifts ..... D32/74  
D721,463 S \* 1/2015 Kandasamy ..... D32/74  
D730,006 S \* 5/2015 Dobson, III ..... D32/74

**Related U.S. Application Data**

(62) Division of application No. 13/750,147, filed on Jan. 25, 2013, now abandoned.  
(51) **LOC (10) Cl.** ..... **07-05**  
(52) **U.S. Cl.**  
USPC ..... **D32/74**  
(58) **Field of Classification Search**  
USPC ..... D32/74, 41; D30/162; D7/691, 688;  
D4/116; 15/257.5, 257.3, 257.2, 257.1;  
134/6  
CPC ..... A47L 13/52; A46B 15/0055; B65F  
2210/136; B65F 1/1415; B65F 2220/12  
See application file for complete search history.

\* cited by examiner

*Primary Examiner* — Austin Murphy  
(74) *Attorney, Agent, or Firm* — McGlew and Tuttle, P.C.

(57) **CLAIM**

The ornamental design for a dust pan, as shown and described.

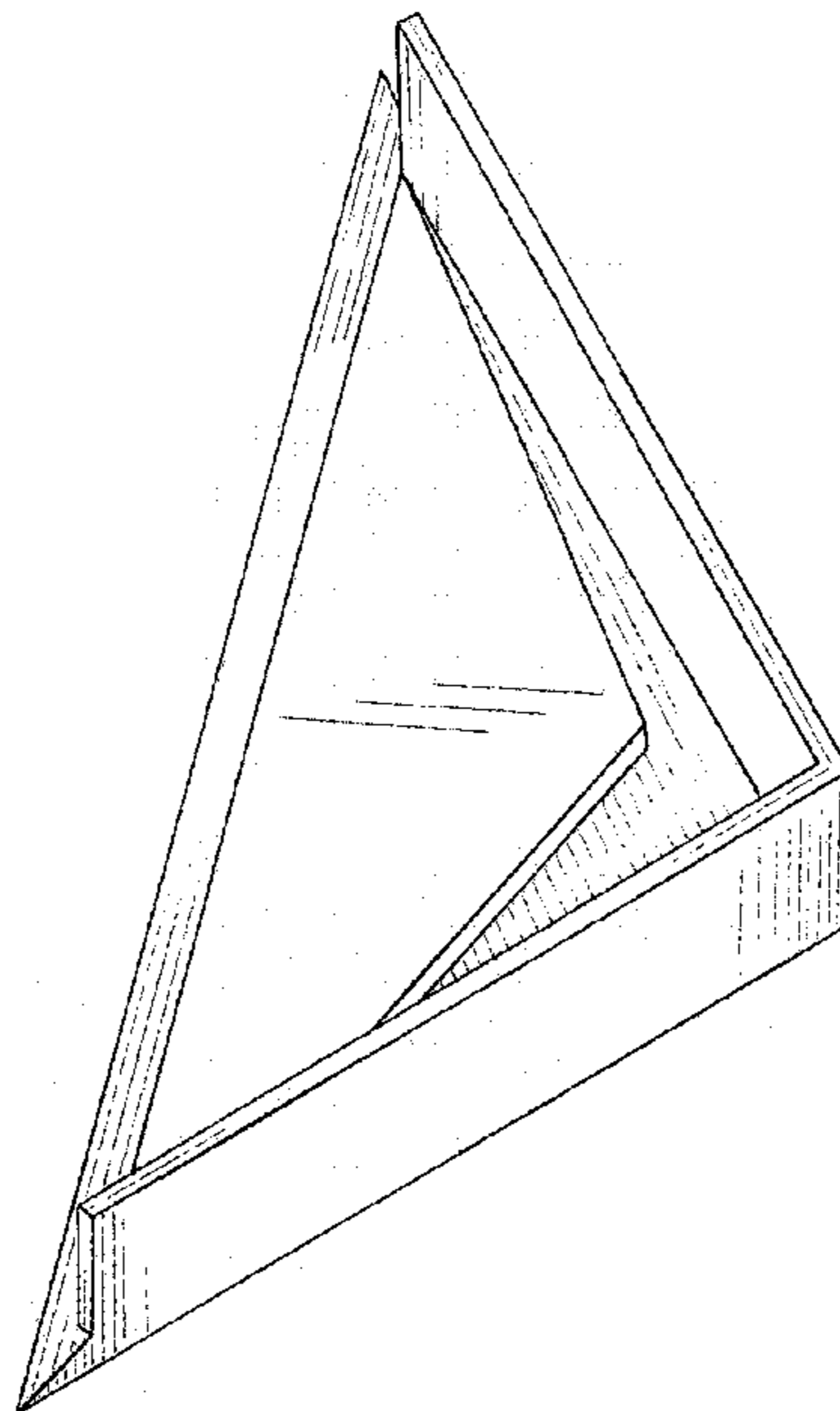
**DESCRIPTION**

FIG. 1 is a top view of my dust pan design;  
FIG. 2 is a right side view thereof, the left side view being a mirror image thereof;  
FIG. 3 is front view thereof;  
FIG. 4 is a rear view thereof;  
FIG. 5 is a bottom view thereof; and,  
FIG. 6 is a top left perspective view thereof.

**1 Claim, 6 Drawing Sheets**

(56) **References Cited**  
U.S. PATENT DOCUMENTS

2,812,784 A \* 11/1957 Palmer ..... A47L 13/52  
118/504  
3,056,992 A \* 10/1962 Clough ..... A47L 13/52  
15/257.3  
D194,327 S \* 1/1963 Evanča ..... 15/257.2  
3,085,278 A \* 4/1963 Hemphill, Jr. .... A47L 13/52  
15/257.1



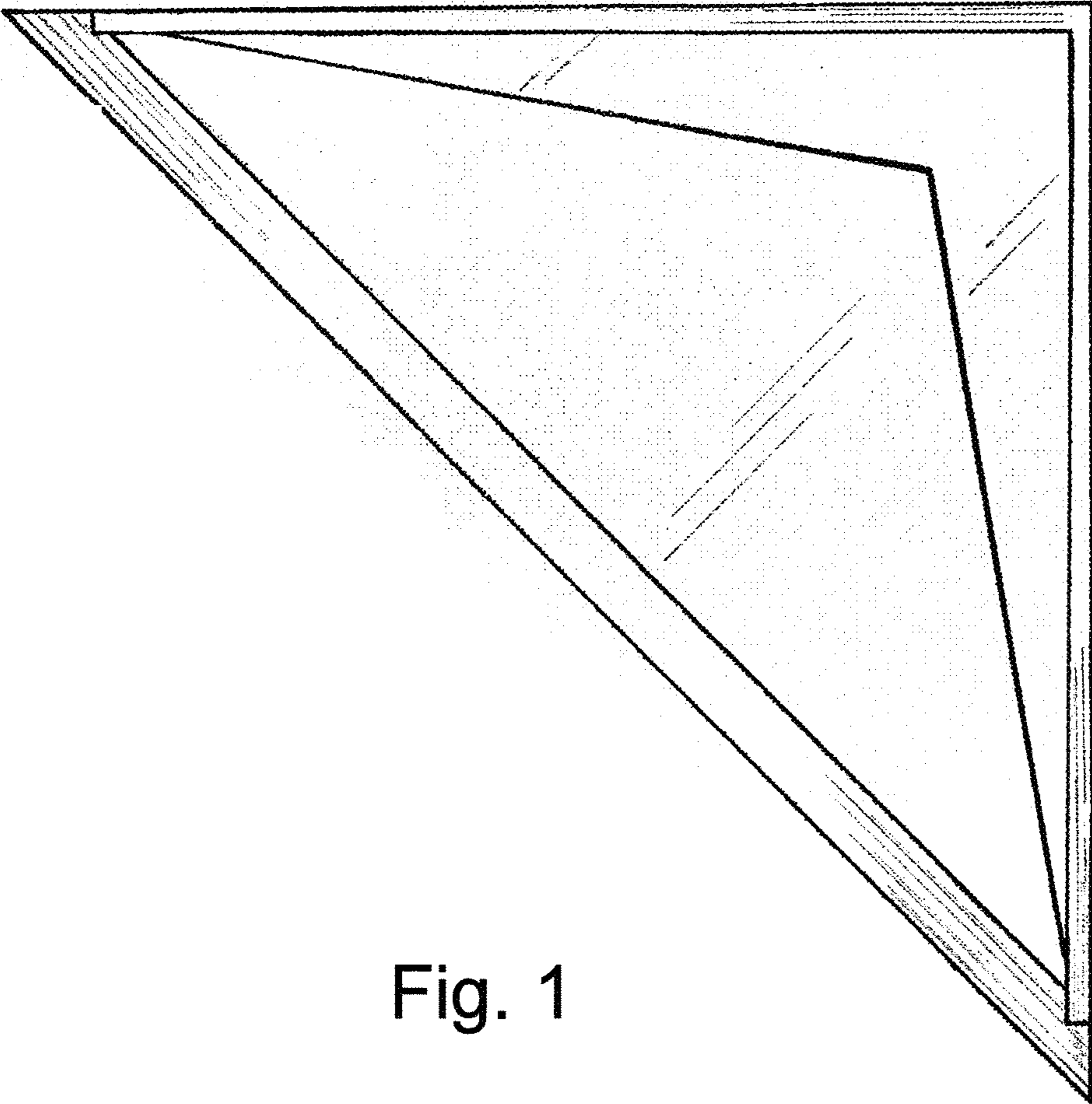


Fig. 1

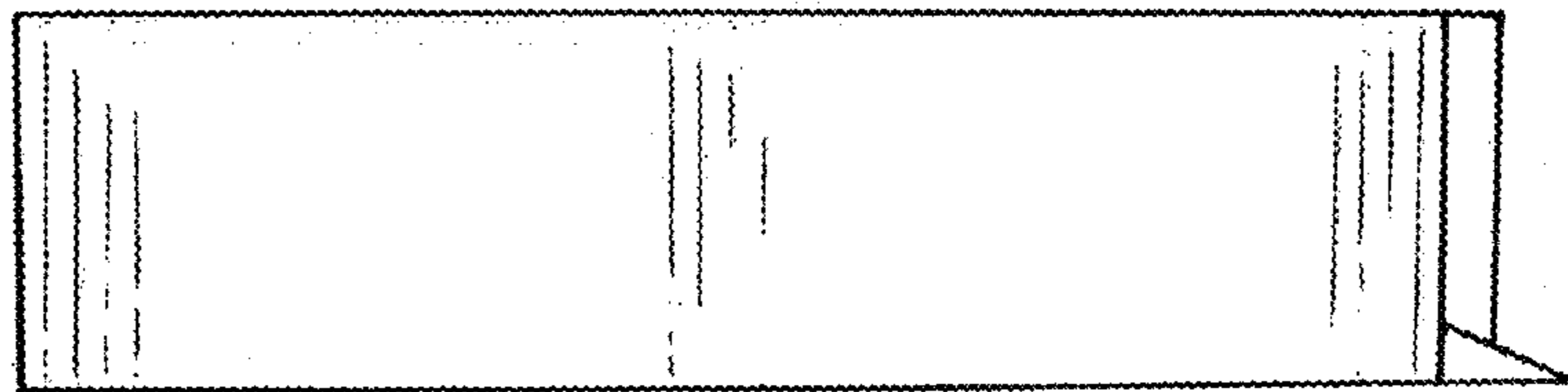


Fig. 2

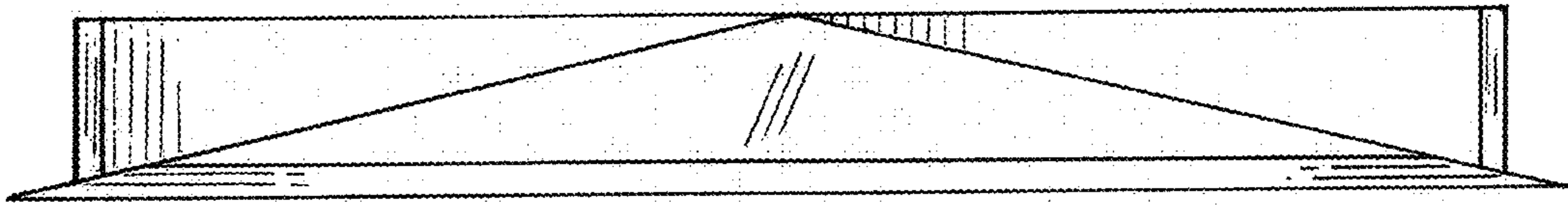


Fig. 3

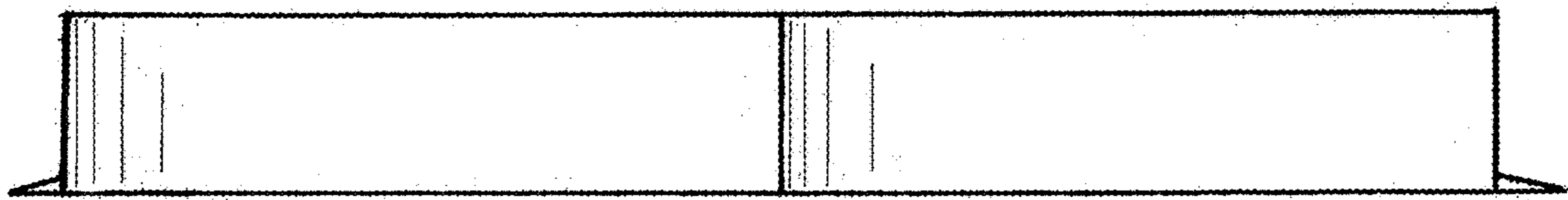


Fig. 4

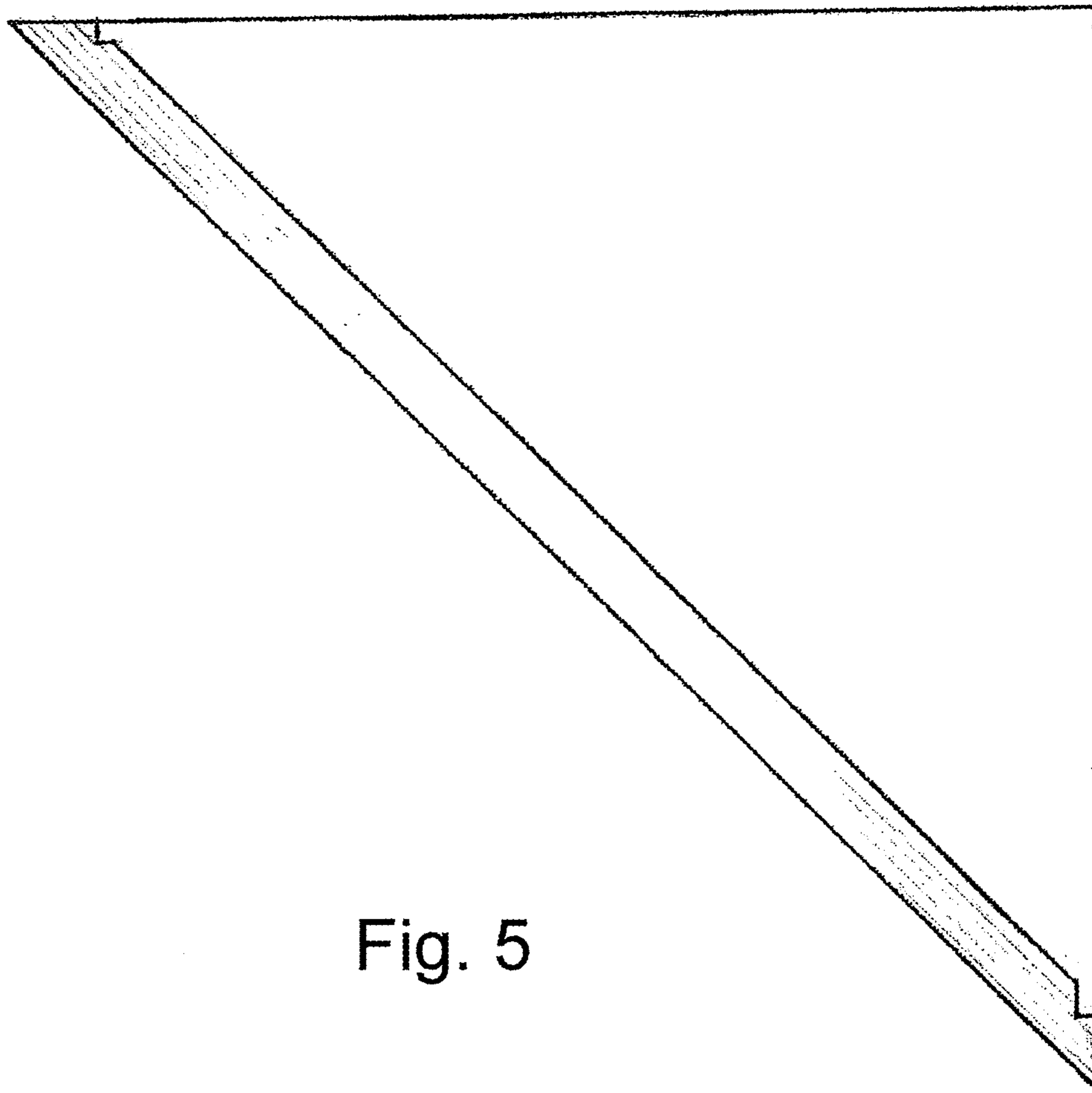


Fig. 5

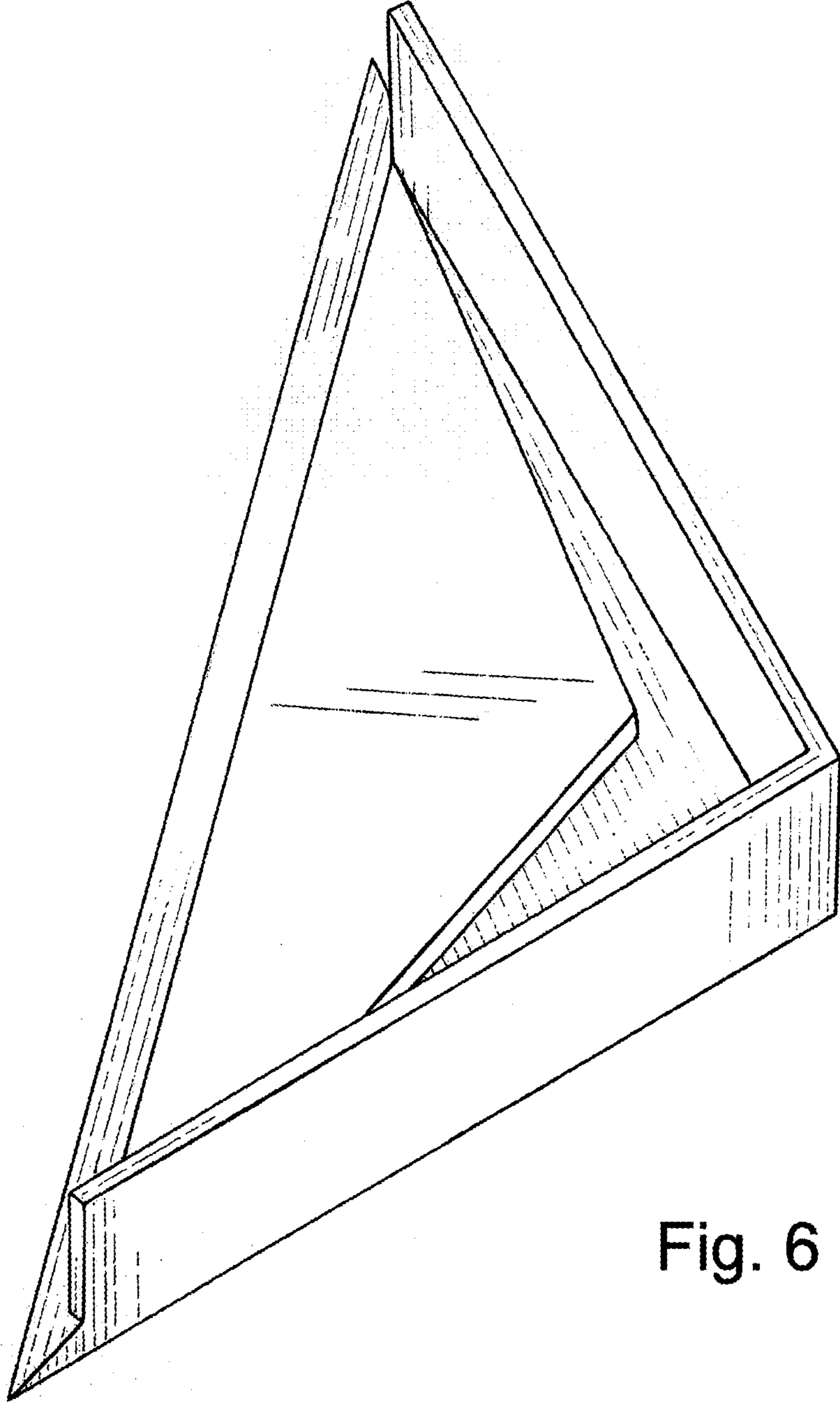


Fig. 6