



US00D779757S

(12) **United States Design Patent** (10) **Patent No.:** **US D779,757 S**
Vasilakes et al. (45) **Date of Patent:** **** Feb. 21, 2017**

(54) **CLEANING TOOL**

FOREIGN PATENT DOCUMENTS

(71) Applicant: **3M INNOVATIVE PROPERTIES COMPANY**, St. Paul, MN (US)

CN 201453184 5/2010
CN 301480024 * 3/2011

(Continued)

(72) Inventors: **Lloyd S. Vasilakes**, Stillwater, MN (US); **Mark W. Baldwin**, Woodbury, MN (US)

OTHER PUBLICATIONS

(73) Assignee: **3M INNOVATIVE PROPERTIES COMPANY**, St. Paul, MN (US)

Home Hardware—Easy Squeeze Sponge Mop, website copyright 2016, https://www.homehardware.ca/...rec/index.htm/Indoor-Living/Home-Commercial-Cleaning/Floor-Care/Mops/Sponges/Easy-Squeeze-Sponge-Mop/_/N-ntkgcZ1z141dr/R-I4541801, [site visited Jun. 21, 2016 10:17:17 PM].*

(**) Term: **14 Years**

(Continued)

(21) Appl. No.: **29/525,558**

(22) Filed: **Apr. 30, 2015**

Primary Examiner — John Windmuller

(51) **LOC (10) Cl.** **04-01**

Assistant Examiner — John R Yeh

(52) **U.S. Cl.**

(74) *Attorney, Agent, or Firm* — Irina Hass

USPC **D32/50**

(58) **Field of Classification Search**

USPC D32/34, 38–52, 69, 71–74; D3/7, 9–10, D3/12, 17

(57) **CLAIM**

CPC A47L 13/12; A47L 13/16; A47L 13/20; A47L 13/24; A47L 13/144; A47L 13/146; B24D 13/045; B25B 23/16

The ornamental design for a cleaning tool, as shown and described.

See application file for complete search history.

(56) **References Cited**

DESCRIPTION

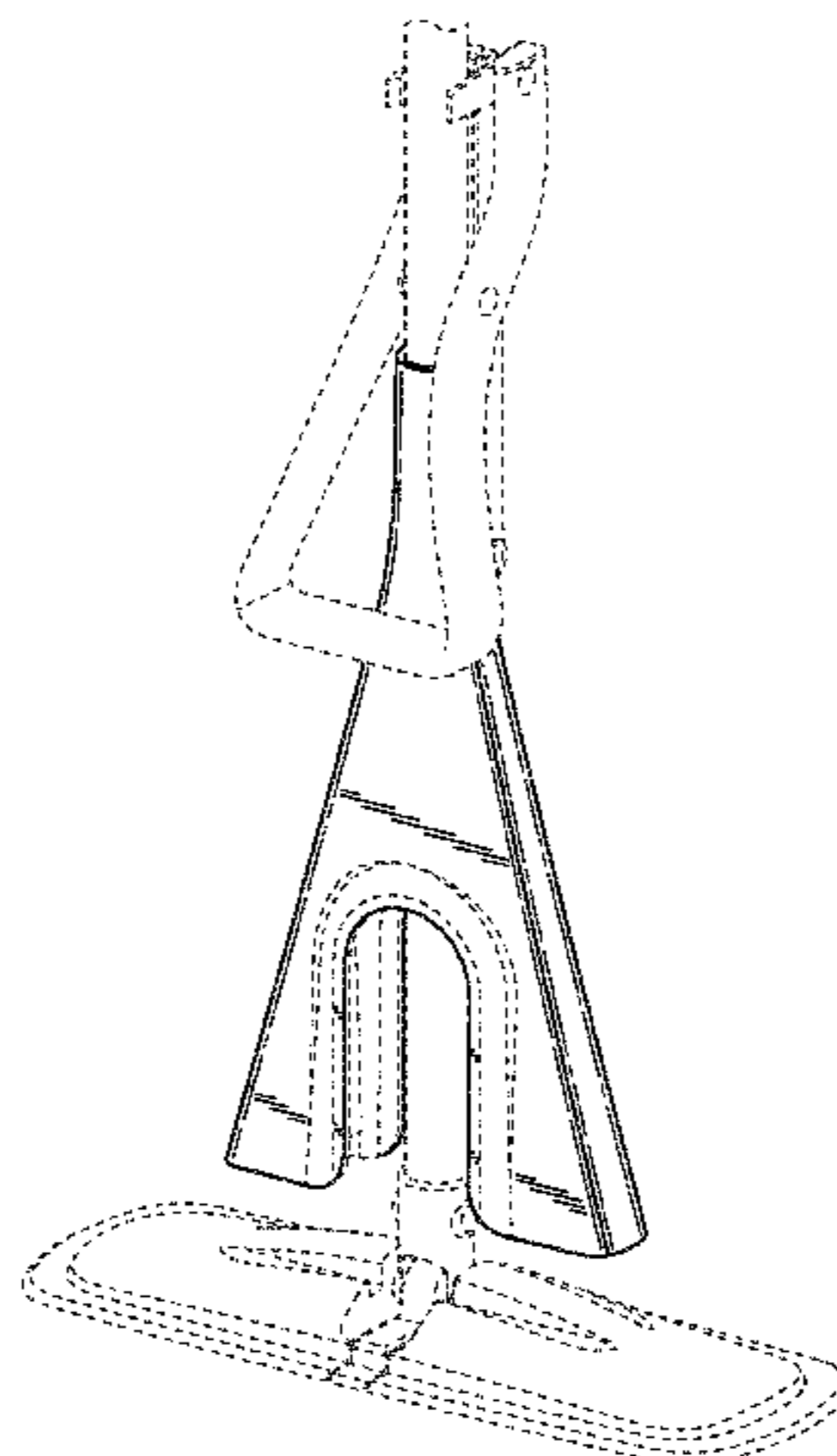
U.S. PATENT DOCUMENTS

1,352,837	A *	9/1920	Sanguinet	A47L 13/144
					15/119.1
1,357,913	A *	11/1920	Taylor	A46B 3/08
					15/178
1,709,622	A *	4/1929	Justis	A47L 13/14
					15/120.2
2,028,025	A *	1/1936	Smith	A47L 13/144
					15/119.1
3,860,115	A *	1/1975	Laske	A46B 17/04
					15/247
5,060,338	A *	10/1991	Yates	A47L 13/14
					15/105
5,131,111	A	7/1992	Richardson		
D384,506	S *	10/1997	Canni Ferrari	D32/51

(Continued)

FIG. 1 is a perspective view showing a new design for a cleaning tool;
FIG. 2 is a front view thereof;
FIG. 3 is a rear view thereof;
FIG. 4 is a left side view thereof, a right side view being a mirror image thereof;
FIG. 5 is a top view thereof;
FIG. 6 is a bottom view thereof; and,
FIG. 7 is a perspective view thereof showing the cleaning tool with a handle.
The portions of the cleaning tool in FIGS. 1-7 shown in broken lines are included to show features that form no part of the claimed design.

1 Claim, 6 Drawing Sheets



(56)

References Cited

U.S. PATENT DOCUMENTS

5,675,857 A * 10/1997 Hirse A47L 13/14
15/119.1
5,839,158 A * 11/1998 Schupp A47L 5/24
15/144.4
6,675,426 B2 * 1/2004 Ohm A47L 13/146
15/119.2
6,854,150 B2 * 2/2005 Hirse A47L 13/146
15/119.2
7,065,823 B2 * 6/2006 Llanes A47L 13/58
15/119.1
7,257,853 B2 8/2007 Boyer
D575,468 S * 8/2008 Berti D32/50
D583,520 S * 12/2008 White D32/50
D588,319 S * 3/2009 Berti D32/50
D597,718 S * 8/2009 McNeil D32/45
D613,013 S * 3/2010 Renner D32/44
8,225,452 B2 * 7/2012 Fischer A47L 13/146
15/119.2
D680,290 S * 4/2013 Hsiao D32/44
D716,010 S * 10/2014 Howard D32/51

2002/0056167 A1* 5/2002 Ohm A47L 13/146
15/119.2
2002/0092105 A1* 7/2002 Laux A47L 13/142
15/120.1
2006/0137121 A1* 6/2006 Niccolai A47L 13/146
15/119.2
2013/0031737 A1 2/2013 Cavalcanti

FOREIGN PATENT DOCUMENTS

EM 001067060 * 2/2009
WO D041613-002 * 12/1997

OTHER PUBLICATIONS

Vileda Super Squeeze Mop—Public Bank e-Mall, website copy-right 2016, <https://www.pbbemall.com/s/Product/vileda-super-squeeze-mop/10003>, site visited Jun. 21, 2016.*
Scotch-Brite™ Floor Care Products Mops and Dusters, Seller List, 2002, 3M Home Care Division, 2 pgs.

* cited by examiner

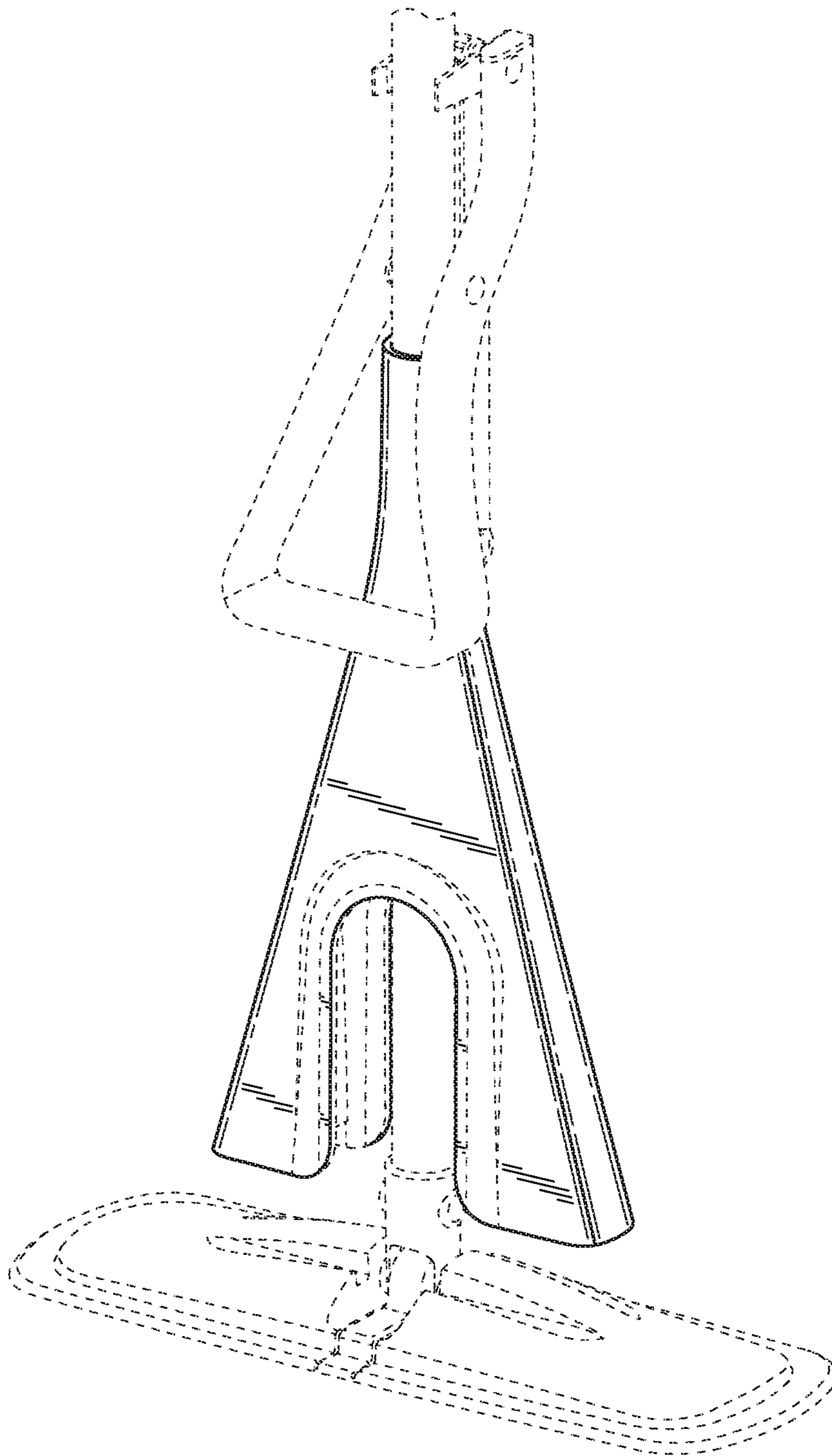


Fig. 1

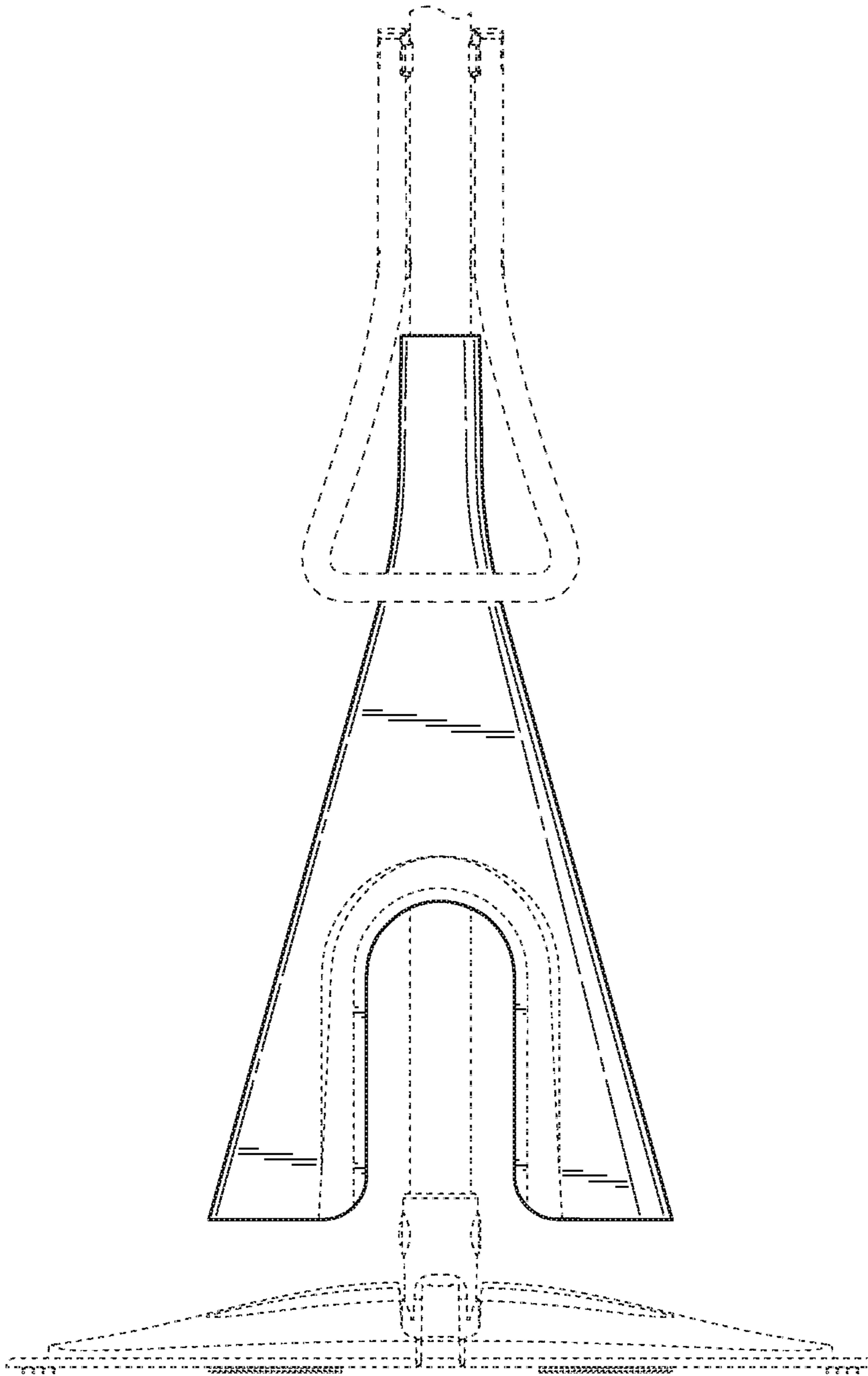


Fig. 2

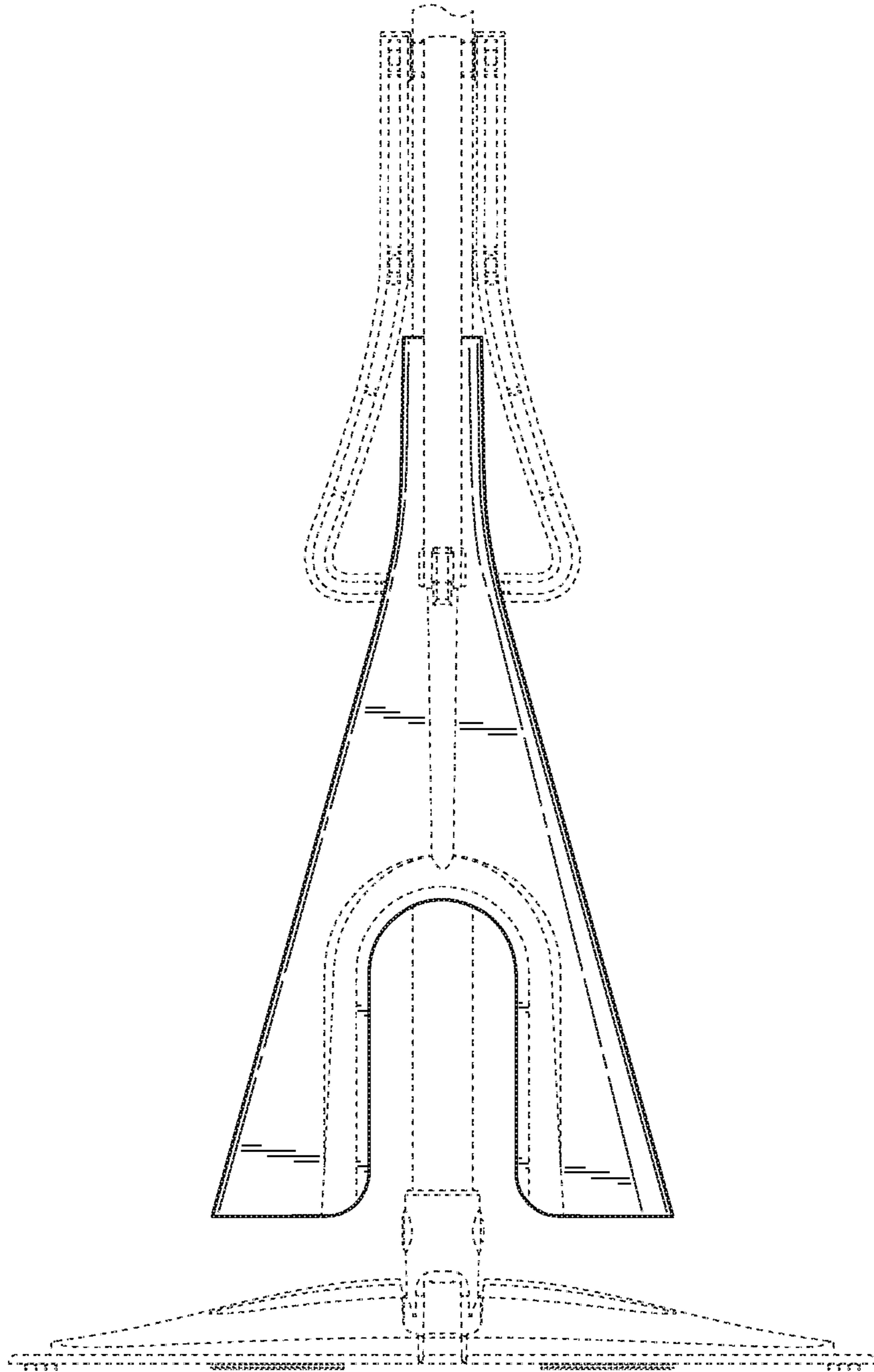


Fig. 3

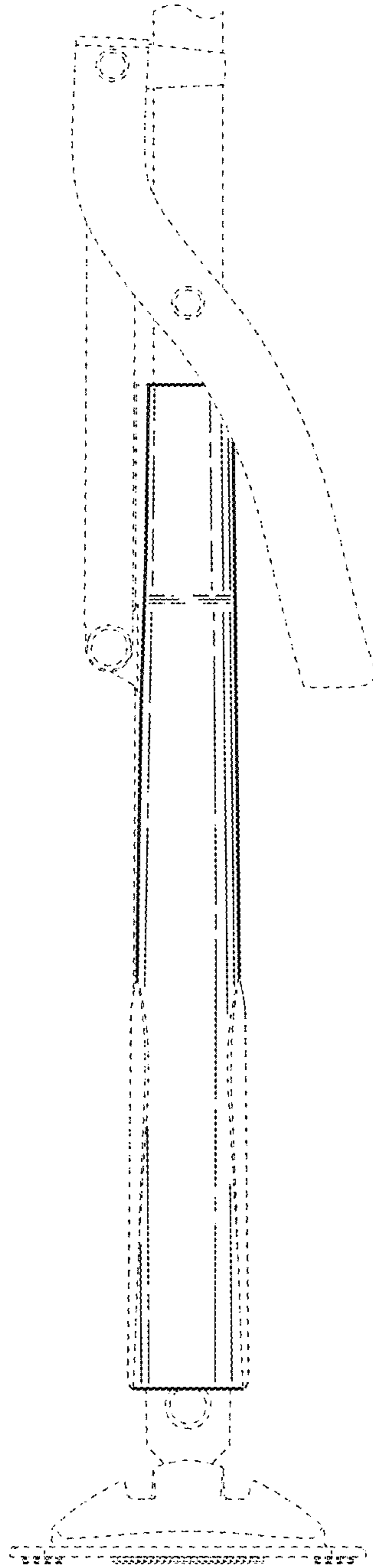


Fig. 4

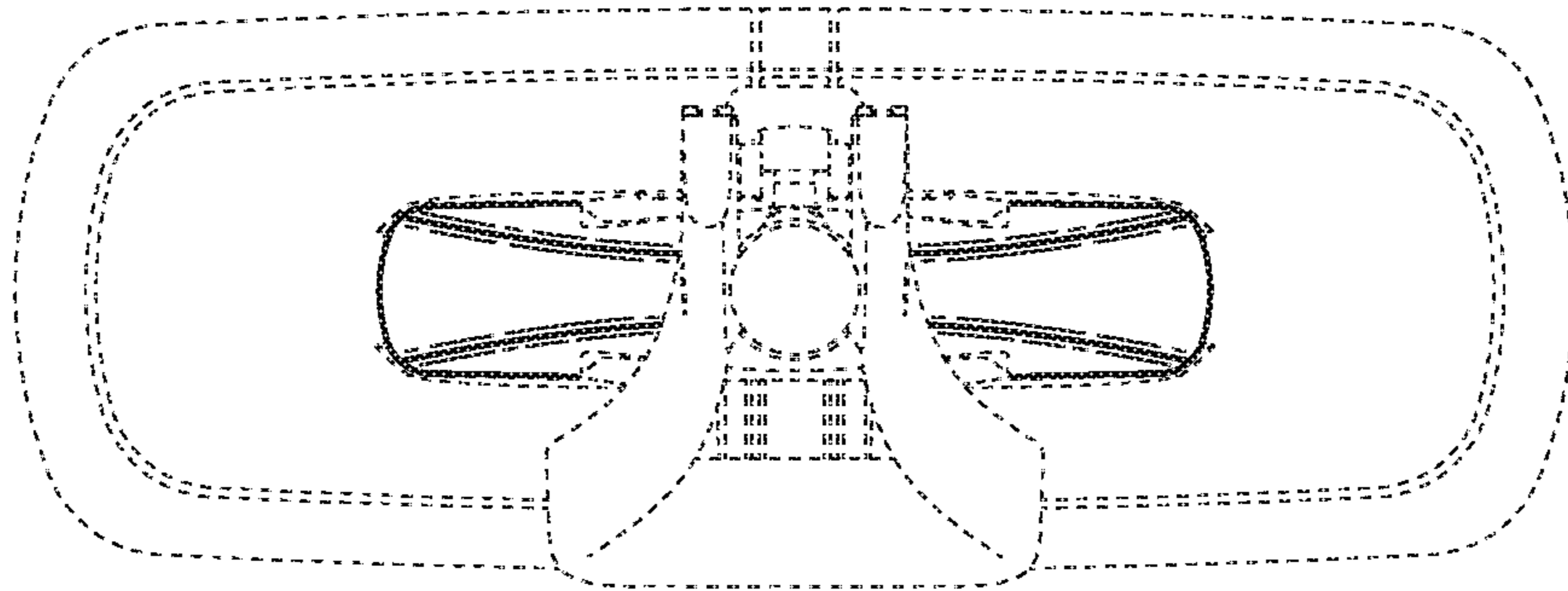


Fig. 5

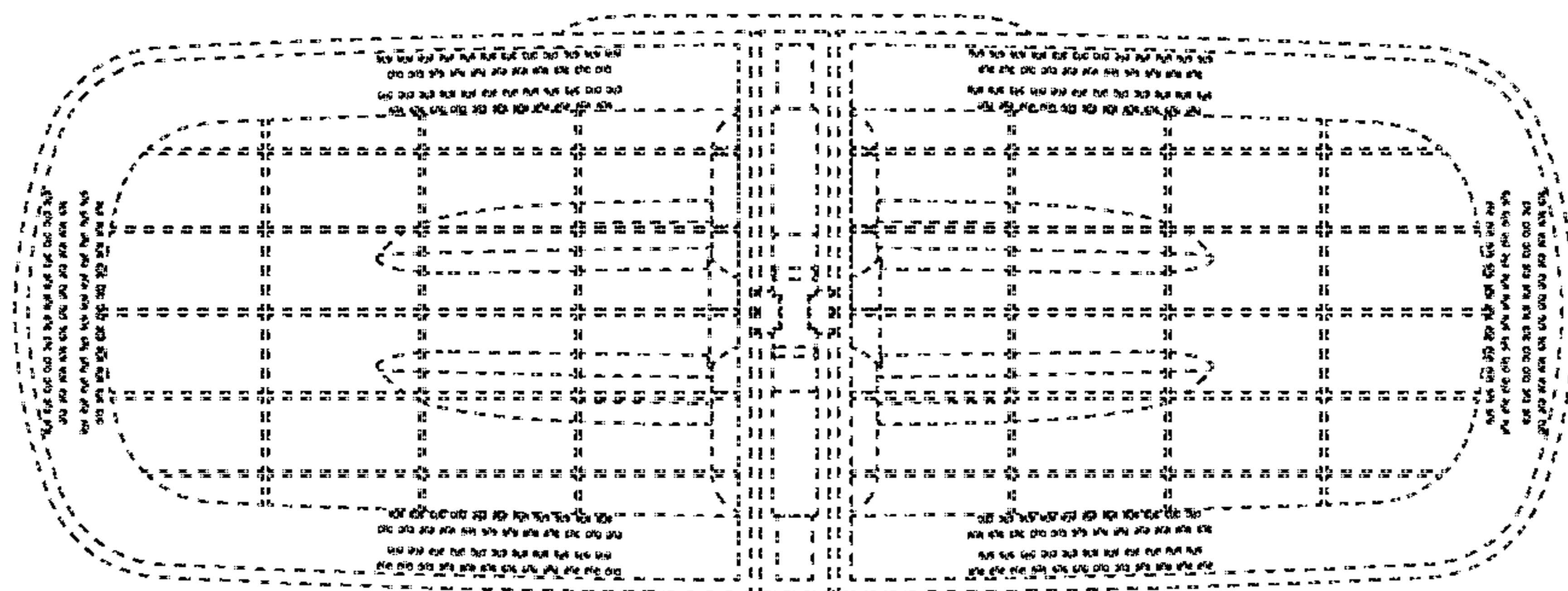


Fig. 6

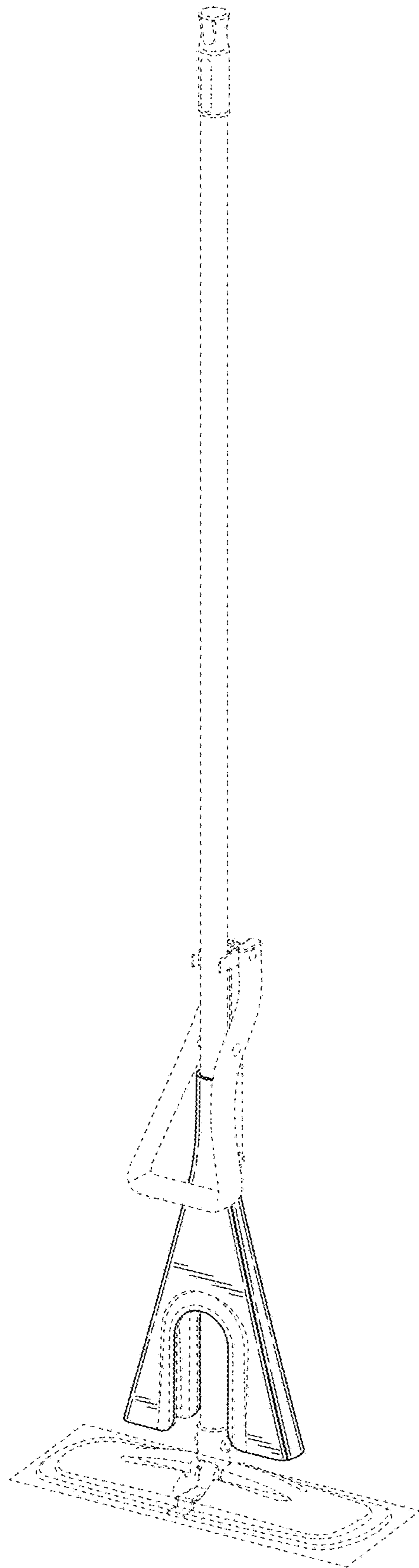


Fig. 7