



US00D779755S

(12) **United States Design Patent**  
**Balz et al.**

(10) **Patent No.:** **US D779,755 S**

(45) **Date of Patent:** **\*\* Feb. 21, 2017**

- (54) **FLOOR CARE TOOL HANDLE**
- (71) Applicant: **Ecolab USA Inc.**, St. Paul, MN (US)
- (72) Inventors: **Eric R. Balz**, Stillwater, MN (US);  
**Eric Gingras**, Herber City, UT (US);  
**Scott Latimer**, Flower Mound, TX (US)
- (73) Assignee: **Ecolab USA Inc.**, St. Paul, MN (US)
- (\*\*) Term: **14 Years**
- (21) Appl. No.: **29/514,782**
- (22) Filed: **Jan. 16, 2015**
- (51) **LOC (10) Cl.** ..... **08-99**
- (52) **U.S. Cl.**  
USPC ..... **D32/35**
- (58) **Field of Classification Search**  
USPC ..... D32/34, 35, 21, 22, 24, 25, 31, 38, 40,  
D32/46, 49, 50, 51, 52; D8/300, 306,  
D8/307, 310; 15/144.2, 144.4, 144.1;  
43/121; 248/516  
CPC .. Y10T 403/29; Y10T 403/291; Y10T 403/32;  
A46B 5/02  
See application file for complete search history.

- 4,676,022 A \* 6/1987 Wraight ..... A01M 3/022  
43/121
- D312,339 S \* 11/1990 Nero, III ..... D32/40
- 5,435,040 A \* 7/1995 McClure ..... A47L 13/46  
15/144.4
- 7,640,617 B2 \* 1/2010 Kennedy ..... A47L 13/20  
15/144.1
- D611,667 S \* 3/2010 Libman ..... D32/50
- D667,598 S \* 9/2012 Menius ..... D32/51

\* cited by examiner

*Primary Examiner* — Susan Bennett Hattan

*Assistant Examiner* — Rebecca Tsehaye

(74) *Attorney, Agent, or Firm* — McKee, Voorhees & Sease, PLC

(57) **CLAIM**

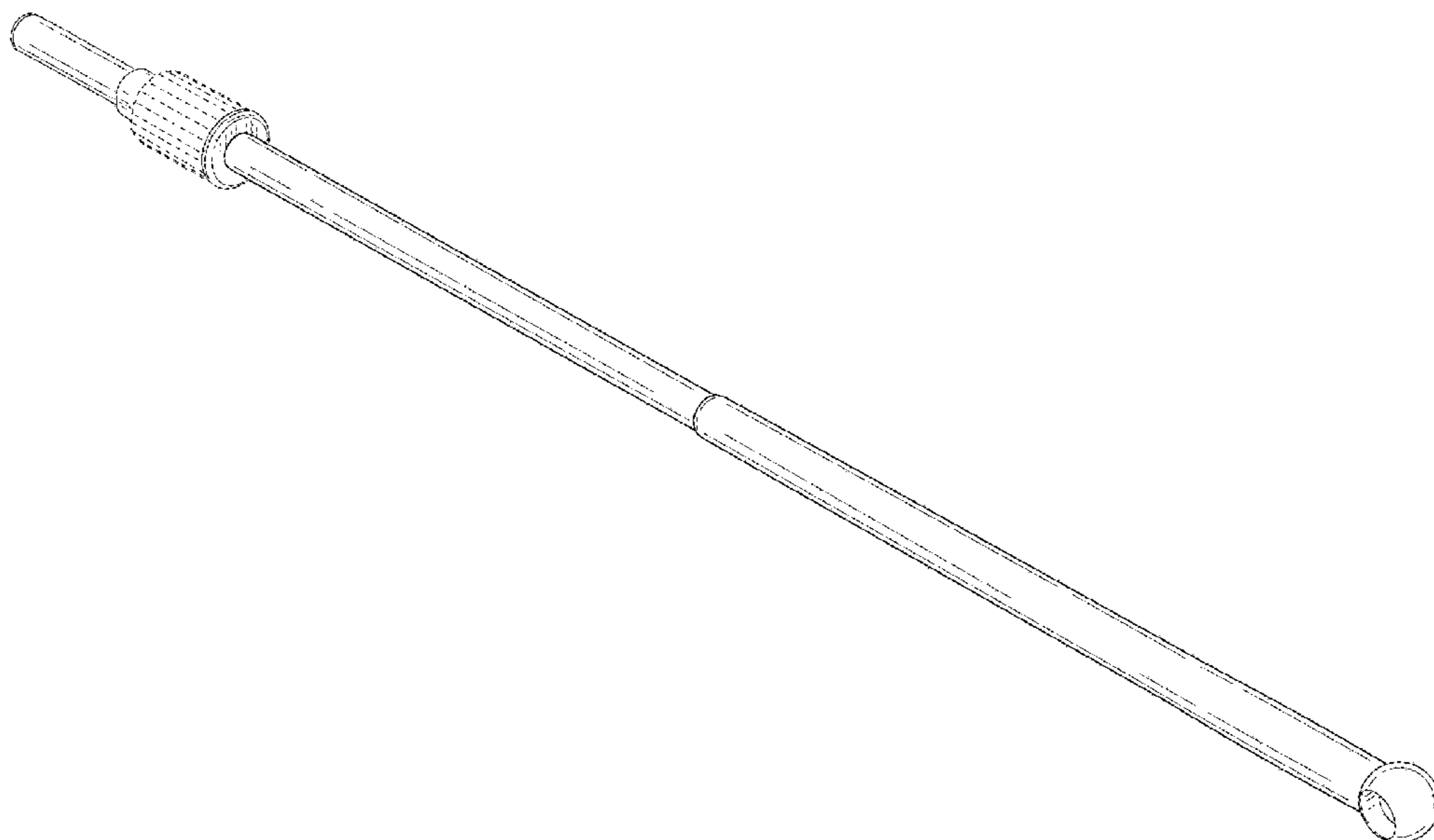
The ornamental design for an floor care tool handle, substantially as shown and described.

**DESCRIPTION**

FIG. 1 is a front perspective view of the claimed design;  
 FIG. 2 is another front perspective view of the claimed design;  
 FIG. 3 is a rear perspective view of FIG. 2;  
 FIG. 4 is a top plan view of FIG. 2;  
 FIG. 5 is a bottom plan view of FIG. 2;  
 FIG. 6 is a front elevation view of FIG. 2;  
 FIG. 7 is a right side elevation view of FIG. 2;  
 FIG. 8 is a rear elevation view of FIG. 2; and,  
 FIG. 9 is a left side elevation view of FIG. 2.  
 The broken lines shown in the drawings illustrating unclaimed portions of the floor care tool handle form no part of the claimed design.

**1 Claim, 4 Drawing Sheets**

- (56) **References Cited**  
U.S. PATENT DOCUMENTS  
2,746,700 A \* 5/1956 Barbera ..... A47G 33/1213  
248/516  
2,854,683 A \* 10/1958 Warden ..... A47L 13/146  
15/144.2  
3,016,556 A \* 1/1962 Greenleaf ..... B25G 3/38  
15/144.2



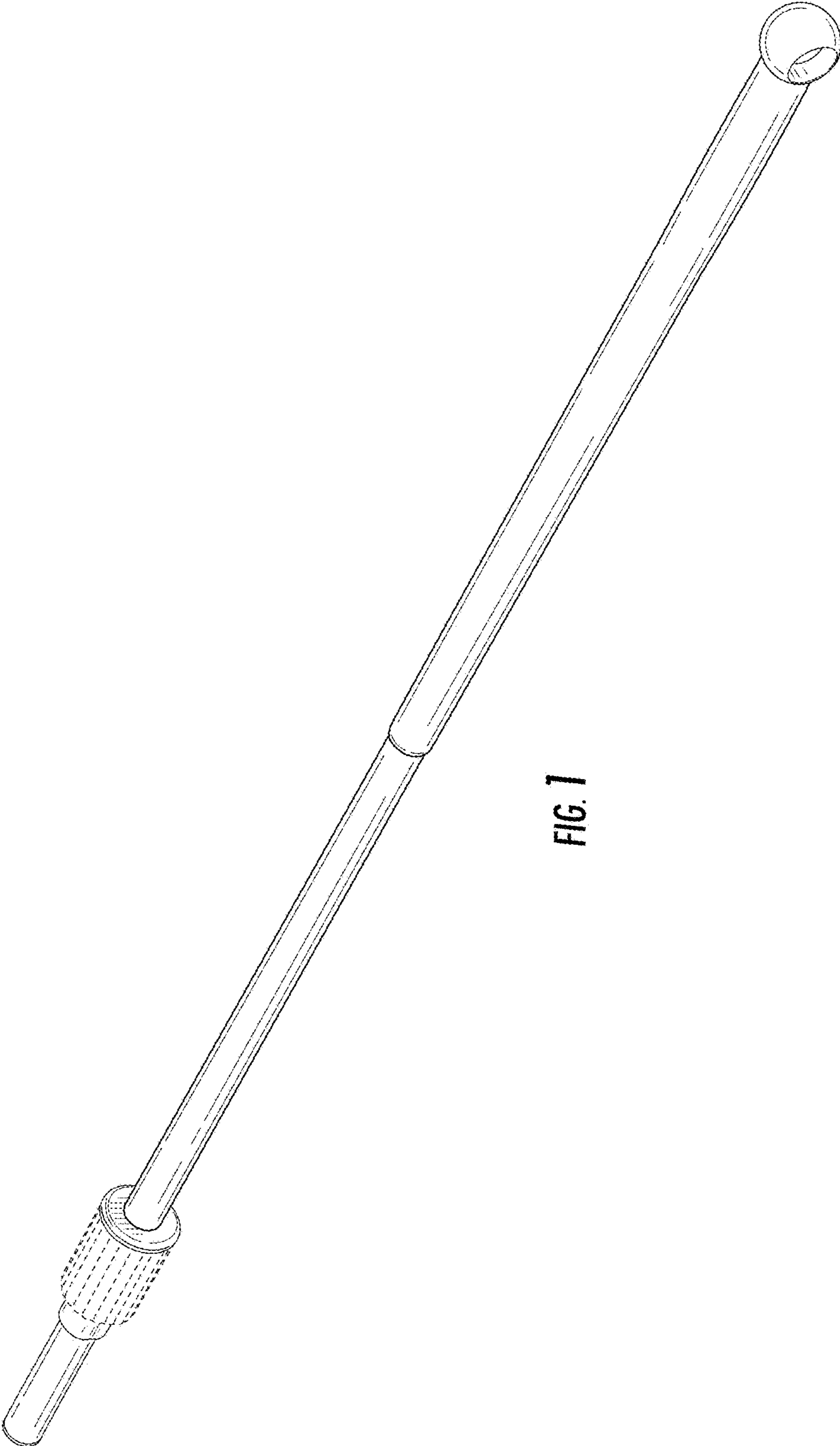


FIG. 1

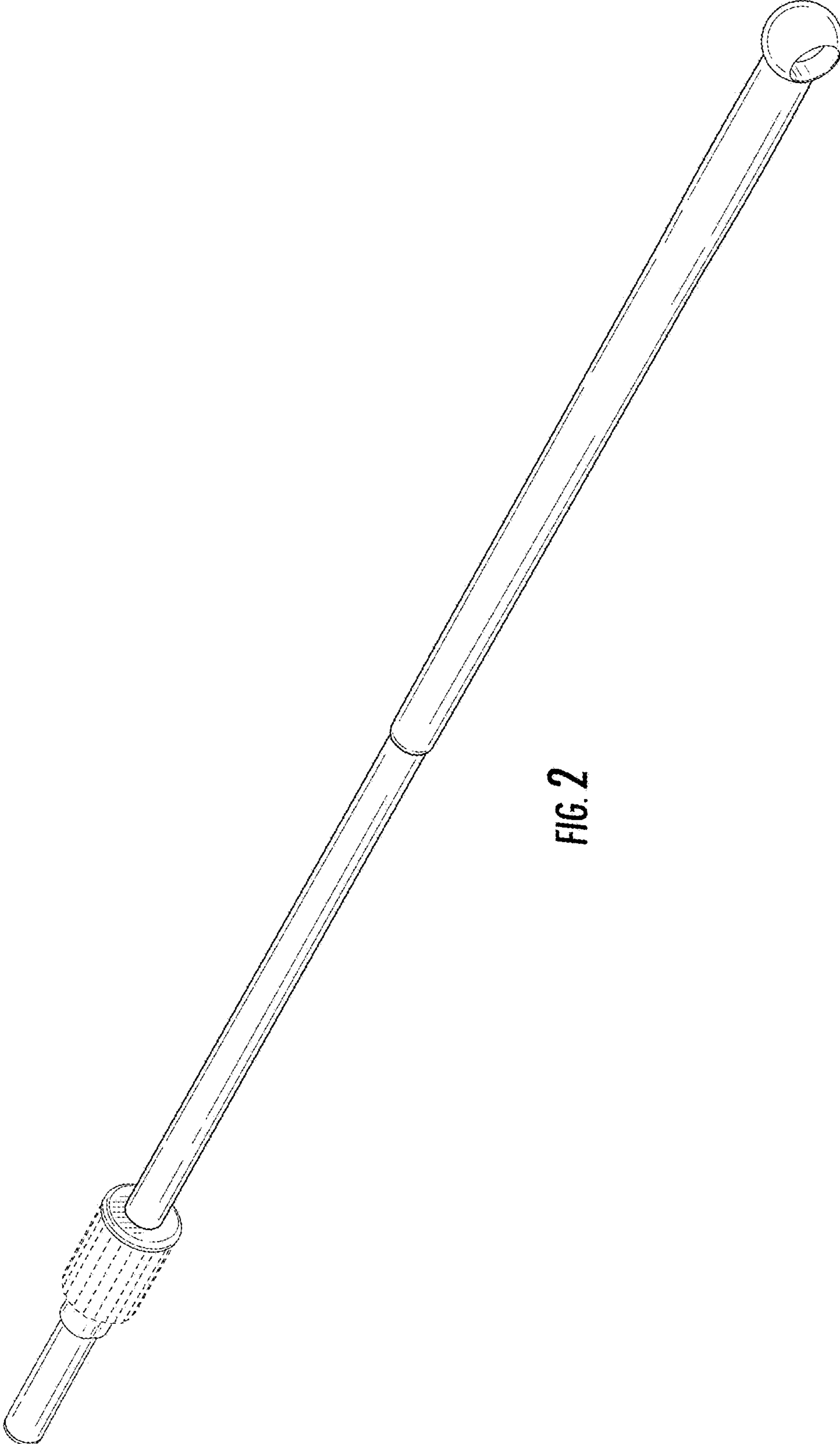


FIG. 2

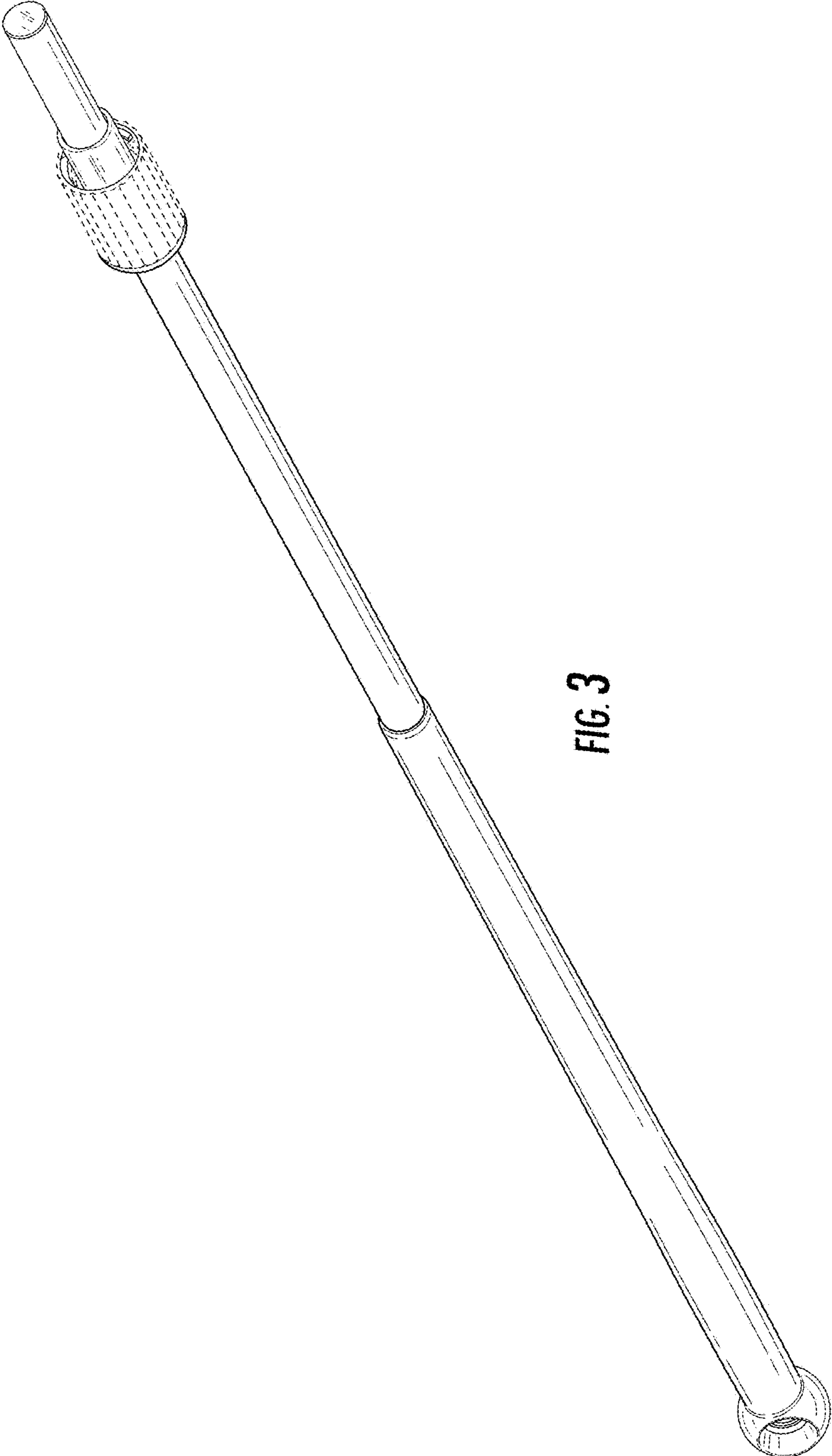


FIG. 3

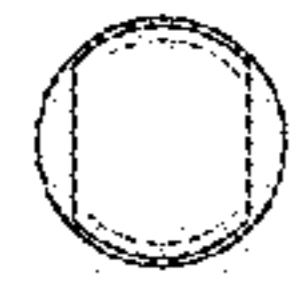


FIG. 4



FIG. 5

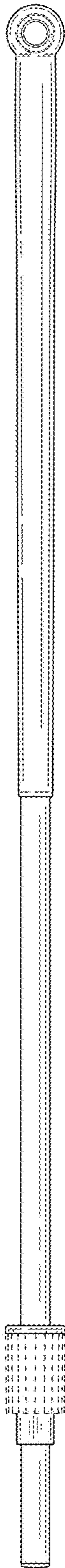


FIG. 6

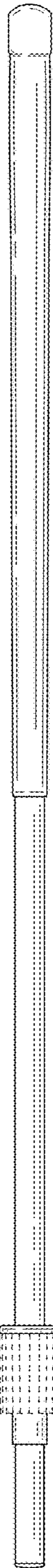


FIG. 7

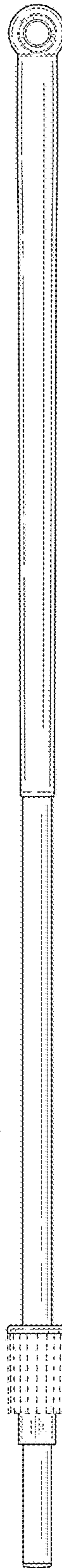


FIG. 8

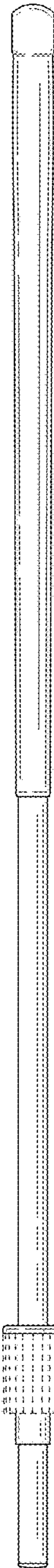


FIG. 9