



US00D779754S

(12) **United States Design Patent** (10) **Patent No.:** **US D779,754 S**
Miyazaki et al. (45) **Date of Patent:** **** Feb. 21, 2017**

(54) **HANDLE FOR A VACUUM CLEANER**

(71) Applicant: **Samsung Electronics Co., Ltd.**,
Suwon-si, Gyeonggi-do (KR)

(72) Inventors: **Hirohisa Miyazaki**, Tokyo (JP); **Norio Okada**, Yokohama Kanagawa (JP);
Atsuhiko Yoneda, Warabi Saitama (JP);
Mitsuhiko Shigeri, Yokohama Kanagawa (JP); **Masato Suzuki**, Saitama (JP)

(73) Assignee: **SAMSUNG ELECTRONICS CO., LTD.**, Suwon-si, Gyeonggi-Do (KR)

(**) Term: **15 Years**

(21) Appl. No.: **29/529,662**

(22) Filed: **Jun. 9, 2015**

(30) **Foreign Application Priority Data**

Dec. 11, 2014 (KR) 30-2014-0060502

(51) **LOC (10) Cl.** **15-05**

(52) **U.S. Cl.**
USPC **D32/34**

(58) **Field of Classification Search**
USPC D32/34, 31, 22
CPC A47L 9/325; A47L 9/327; A47L 9/32;
A47L 9/322
See application file for complete search history.

(56) **References Cited**

U.S. PATENT DOCUMENTS

D315,043 S * 2/1991 Hayden D32/34
D333,023 S * 2/1993 Herron, Jr. D32/34
D334,447 S * 3/1993 Rohn D32/34
D431,335 S * 9/2000 Mehaffey D32/34
D565,266 S * 3/2008 Crevling, Jr. D32/34
D641,114 S * 7/2011 Choi D32/34
D642,755 S * 8/2011 Fjellman D32/34
D644,385 S * 8/2011 Hare D32/34

D670,056 S * 10/2012 Ventress D32/34
D725,857 S * 3/2015 Bennett D32/34
D731,725 S * 6/2015 Jang D32/34
D739,622 S * 9/2015 Johnson D32/34
2006/0026791 A1* 2/2006 Fischer A47L 5/32
15/414

FOREIGN PATENT DOCUMENTS

DE M 9400605-0001 6/2014

OTHER PUBLICATIONS

[http://shop.electrolux.co.uk/product/2193710155/
Vacuum+Cleaner+Complete+Loop+Handle.](http://shop.electrolux.co.uk/product/2193710155/Vacuum+Cleaner+Complete+Loop+Handle)
[http://shop.electrolux.co.uk/product/2193711617/
Vacuum+Cleaner+Handle.](http://shop.electrolux.co.uk/product/2193711617/Vacuum+Cleaner+Handle)

* cited by examiner

Primary Examiner — Ruth McInroy

(74) *Attorney, Agent, or Firm* — Ladas & Parry LLP

(57) **CLAIM**

We claim the ornamental design for a handle for a vacuum cleaner, as shown and described.

DESCRIPTION

FIG. 1 is a front perspective view of a handle for a vacuum cleaner showing our new design;
FIG. 2 is a front elevational view thereof;
FIG. 3 is a rear elevational view thereof;
FIG. 4 is a left-side elevational view thereof;
FIG. 5 is a right-side elevational view thereof;
FIG. 6 is a top plan view thereof;
FIG. 7 is a bottom plan view thereof; and,
FIG. 8 is a front perspective view thereof showing the handle in an expanded position.
The broken lines in the figures show portions of the handle for a vacuum cleaner which form no part of the claimed design.

1 Claim, 4 Drawing Sheets

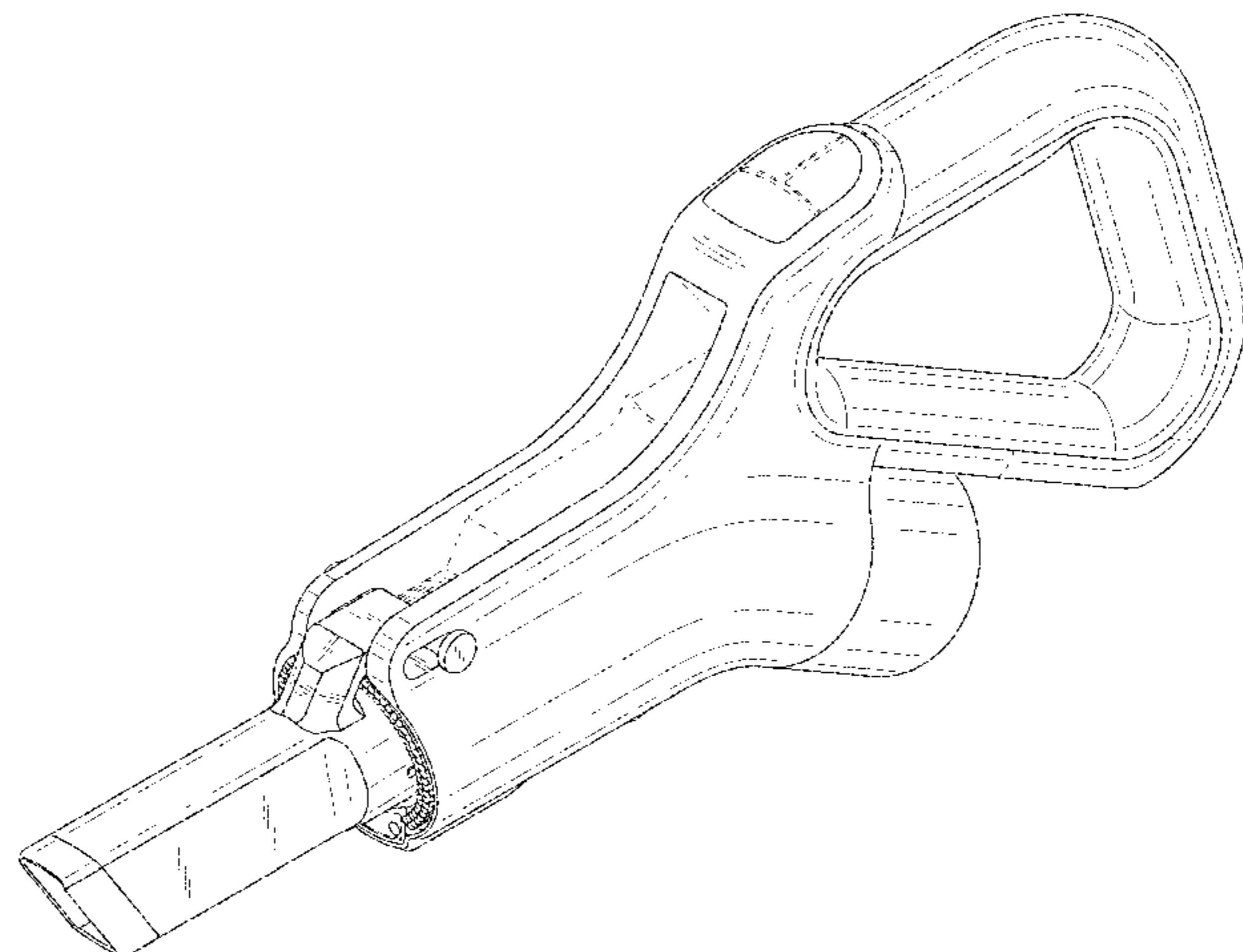
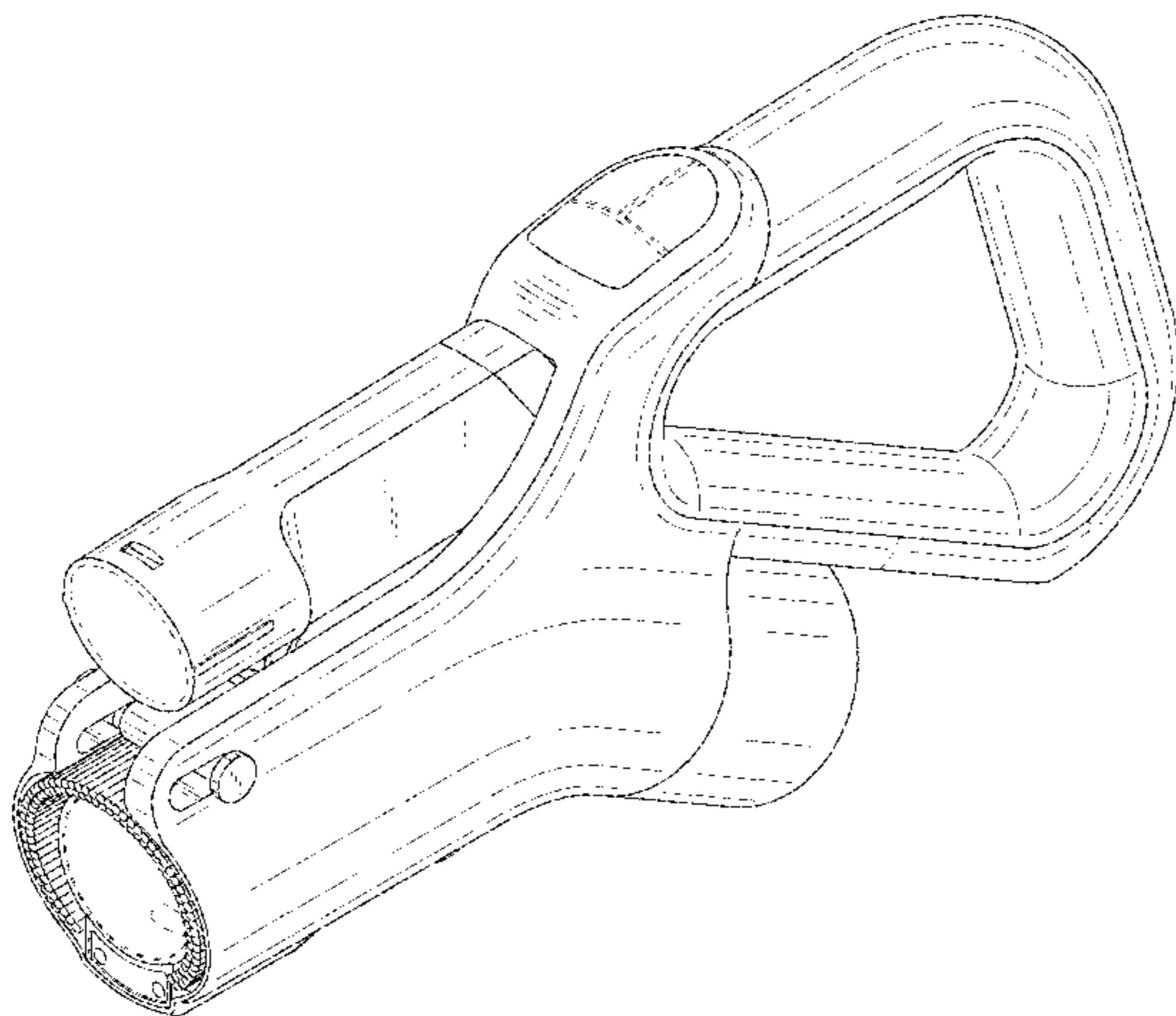


FIG.1

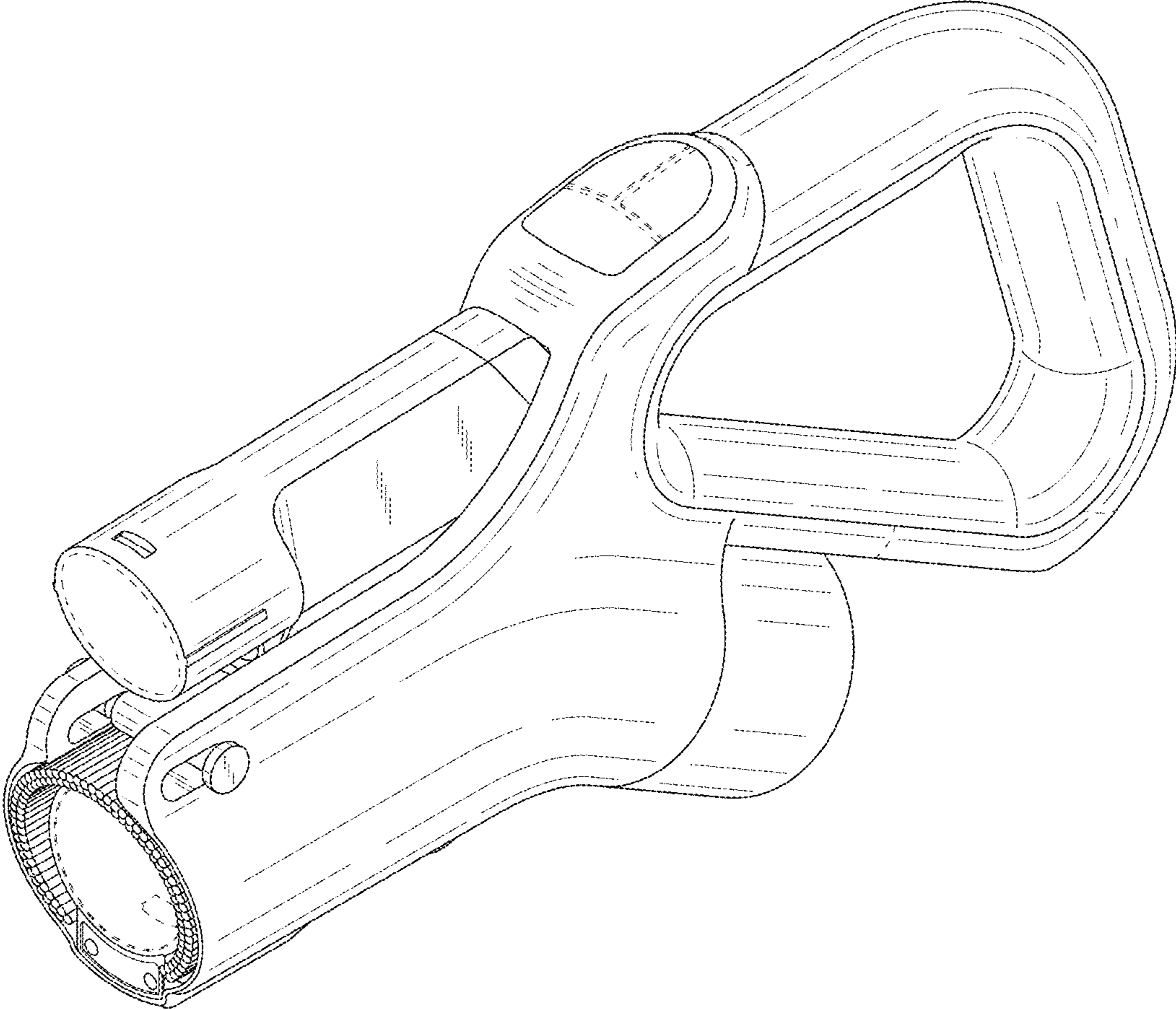


FIG.2

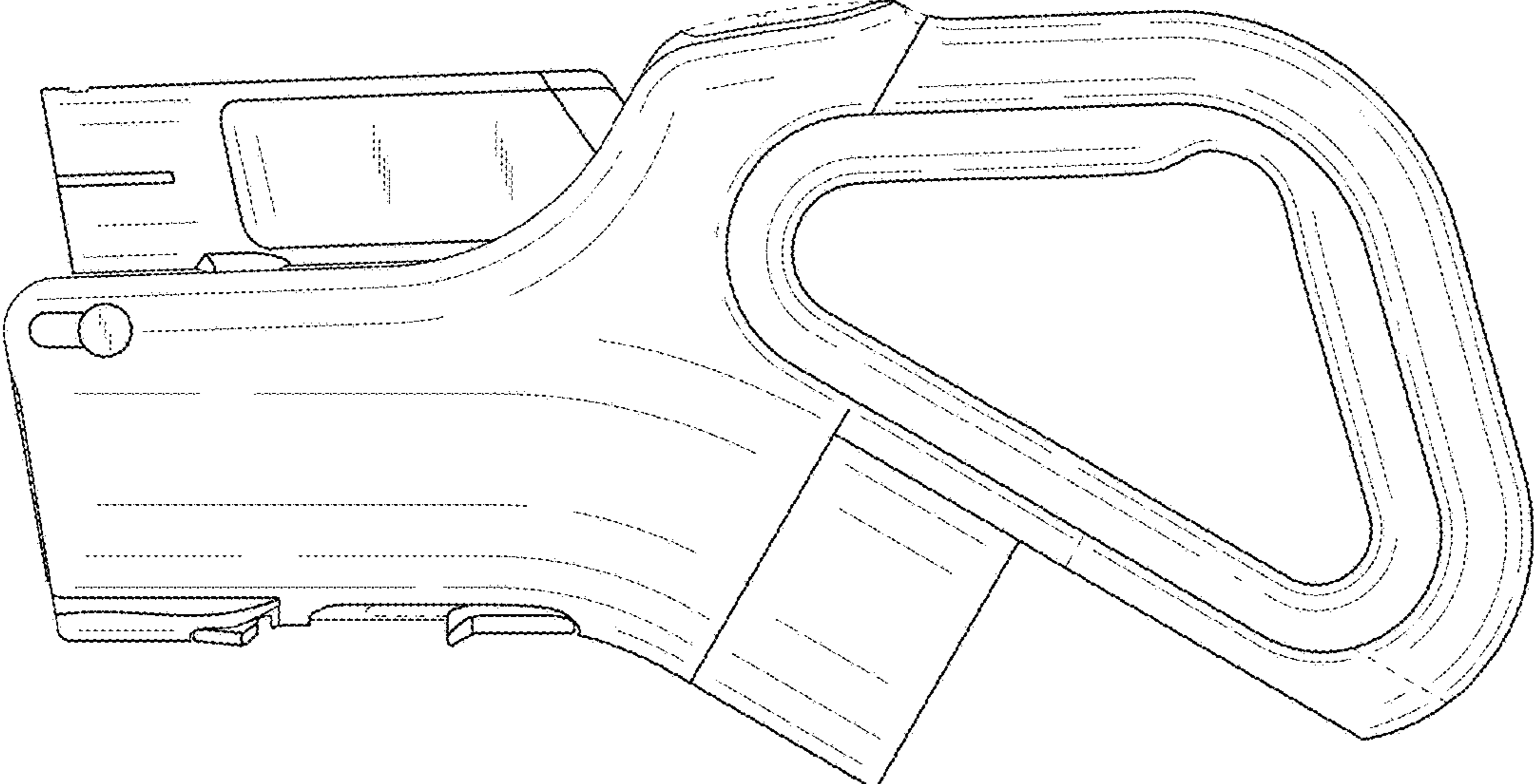


FIG.3

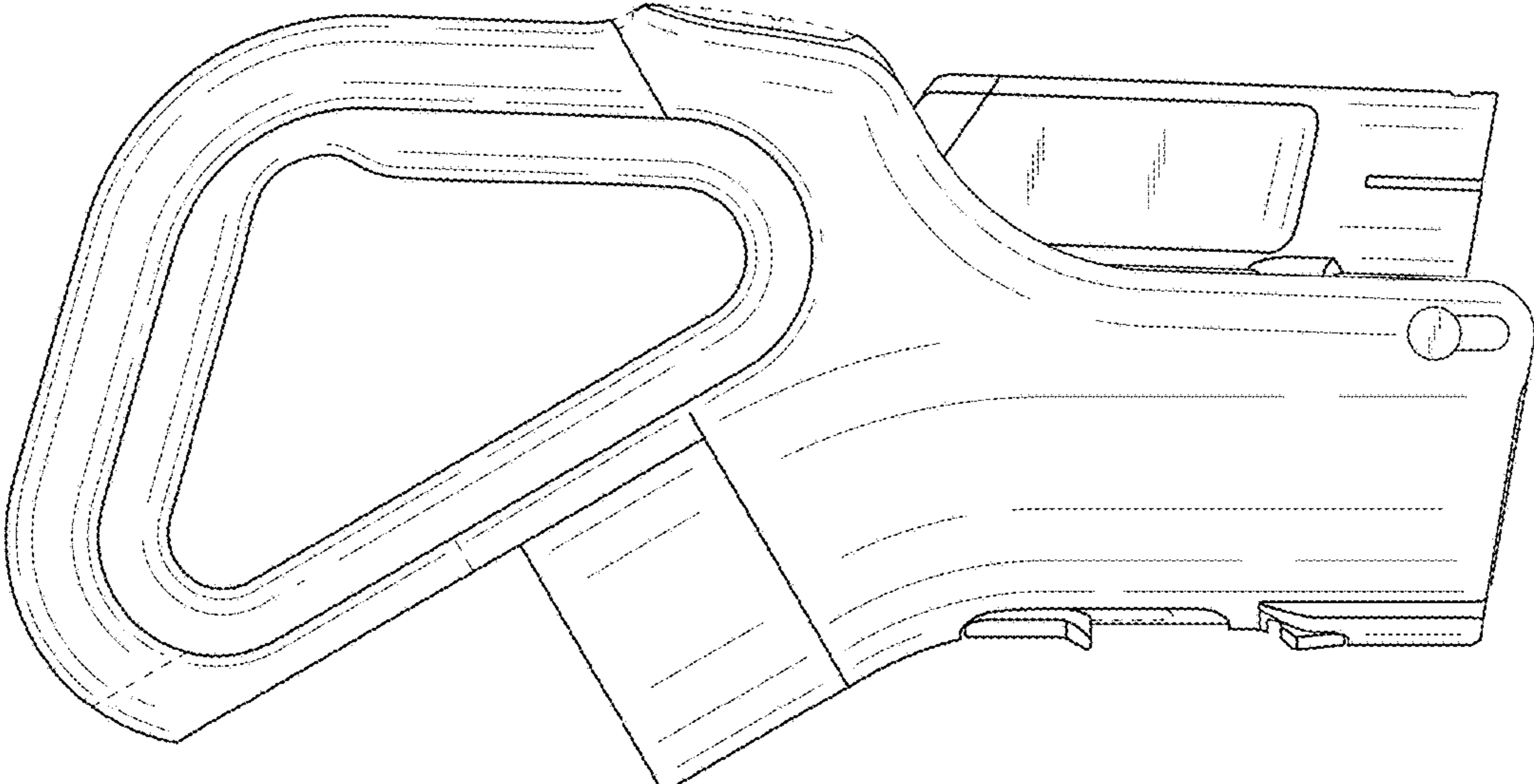


FIG.4

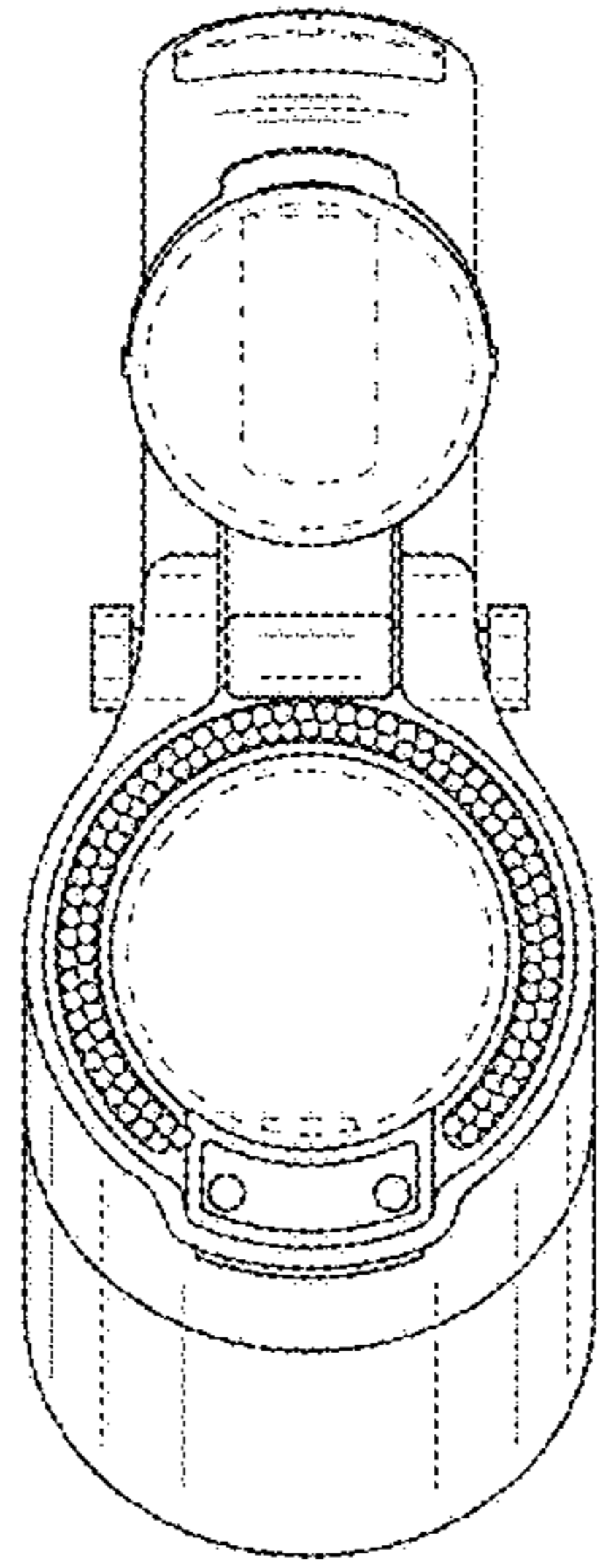


FIG.5

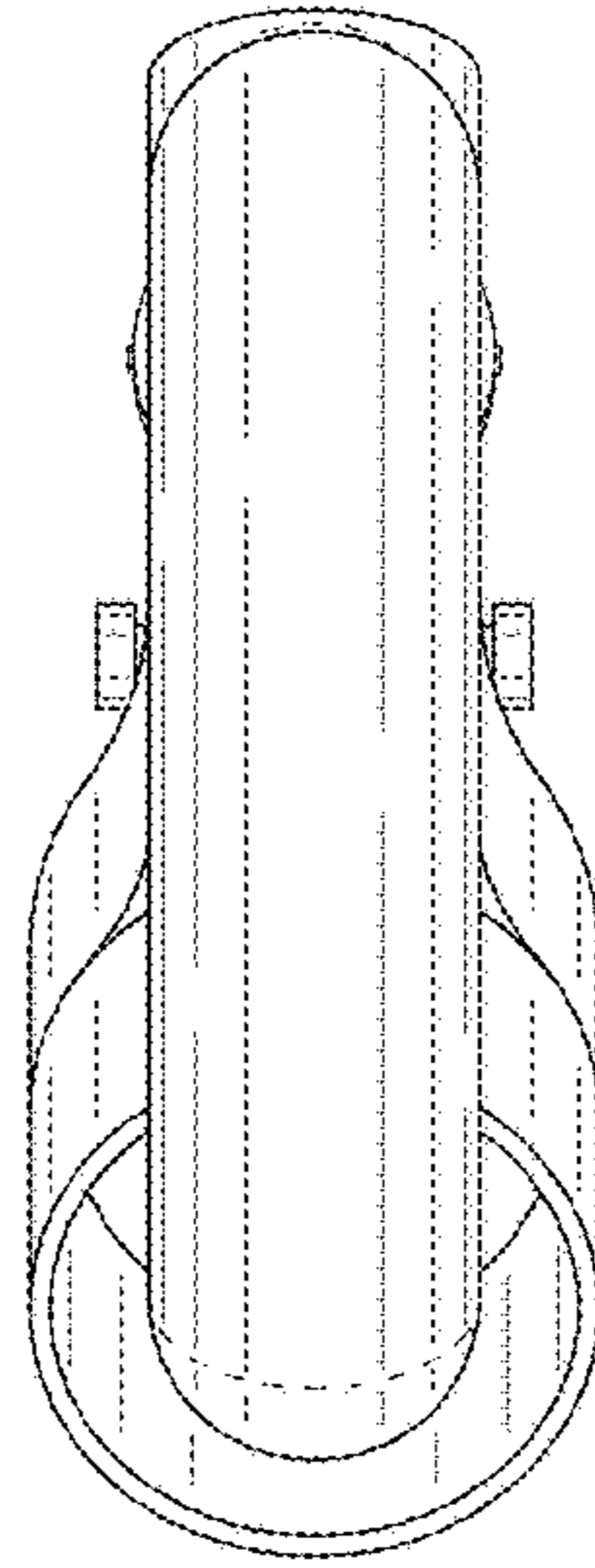


FIG.6

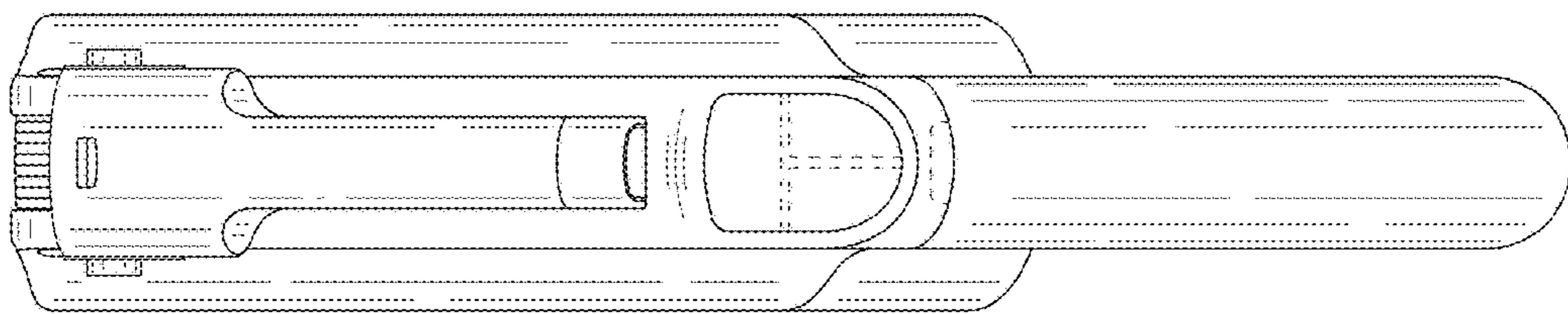


FIG.7

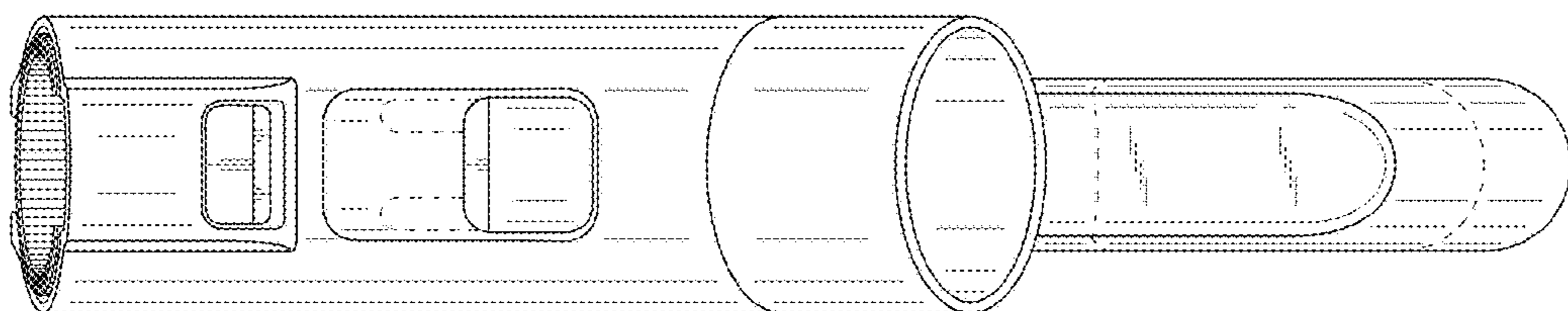


FIG.8

