



US00D779752S

(12) **United States Design Patent**
Johnson

(10) **Patent No.:** **US D779,752 S**

(45) **Date of Patent:** **** Feb. 21, 2017**

(54) **VACUUM CLEANER HEAD**

(71) Applicant: **Owen R. Johnson**, Needham, MA (US)

(72) Inventor: **Owen R. Johnson**, Needham, MA (US)

(73) Assignee: **SharkNinja Operating LLC**, Newton, MA (US)

(**) Term: **15 Years**

(21) Appl. No.: **29/527,004**

(22) Filed: **May 14, 2015**

(51) **LOC (10) Cl.** **15-05**

(52) **U.S. Cl.**
USPC **D32/32**

(58) **Field of Classification Search**
USPC D32/25, 31-33
CPC A47L 9/02; A47L 9/06; A47L 5/28;
A47L 5/24; A47L 11/4044; E04H 4/1654;
E04H 4/34
See application file for complete search history.

(56) **References Cited**

U.S. PATENT DOCUMENTS

D381,780 S *	7/1997	Summers	D32/33
D418,267 S *	12/1999	Lin	D32/32
6,012,200 A	1/2000	Murphy et al.		
6,226,832 B1	5/2001	McCormick		
D473,687 S *	4/2003	Kaffenberger	D32/33
D524,002 S *	6/2006	Worwag	D32/32
7,200,893 B2	4/2007	Gerber et al.		
7,329,294 B2	2/2008	Conrad		
7,690,079 B2	4/2010	Boddy et al.		
D619,315 S *	7/2010	Ayers	D32/32
D655,468 S *	3/2012	Karsan	D32/33
8,402,601 B2	3/2013	Fahlstrom		
8,631,541 B2	1/2014	Tran		

8,776,311 B2	7/2014	Genn et al.		
D720,104 S *	12/2014	Santiago	D32/32
D728,180 S *	4/2015	Thome	D32/33
D741,559 S *	10/2015	Marsden	D32/32
2011/0296648 A1	12/2011	Kah, Jr.		

(Continued)

FOREIGN PATENT DOCUMENTS

JP	H10201682 A	8/1998
WO	2014131106 A1	9/2014

Primary Examiner — Ruth McInroy

(74) *Attorney, Agent, or Firm* — Grossman Tucker Perreault & Pflieger, PLLC

(57) **CLAIM**

The ornamental design for a vacuum cleaner head, as shown and described.

DESCRIPTION

FIG. 1 is a perspective view of a vacuum cleaner head showing my new design;

FIG. 2 is a front elevational view of FIG. 1;

FIG. 3 is a rear elevational view of FIG. 1;

FIG. 4 is a left side elevational view of FIG. 1;

FIG. 5 is a right side elevational view of FIG. 1;

FIG. 6 is a top plan view of FIG. 1;

FIG. 7 is a perspective view thereof, showing the vacuum cleaner head in use with broken line environmental structure.

FIG. 8 is a front elevational view of FIG. 7;

FIG. 9 is a rear elevational view of FIG. 7;

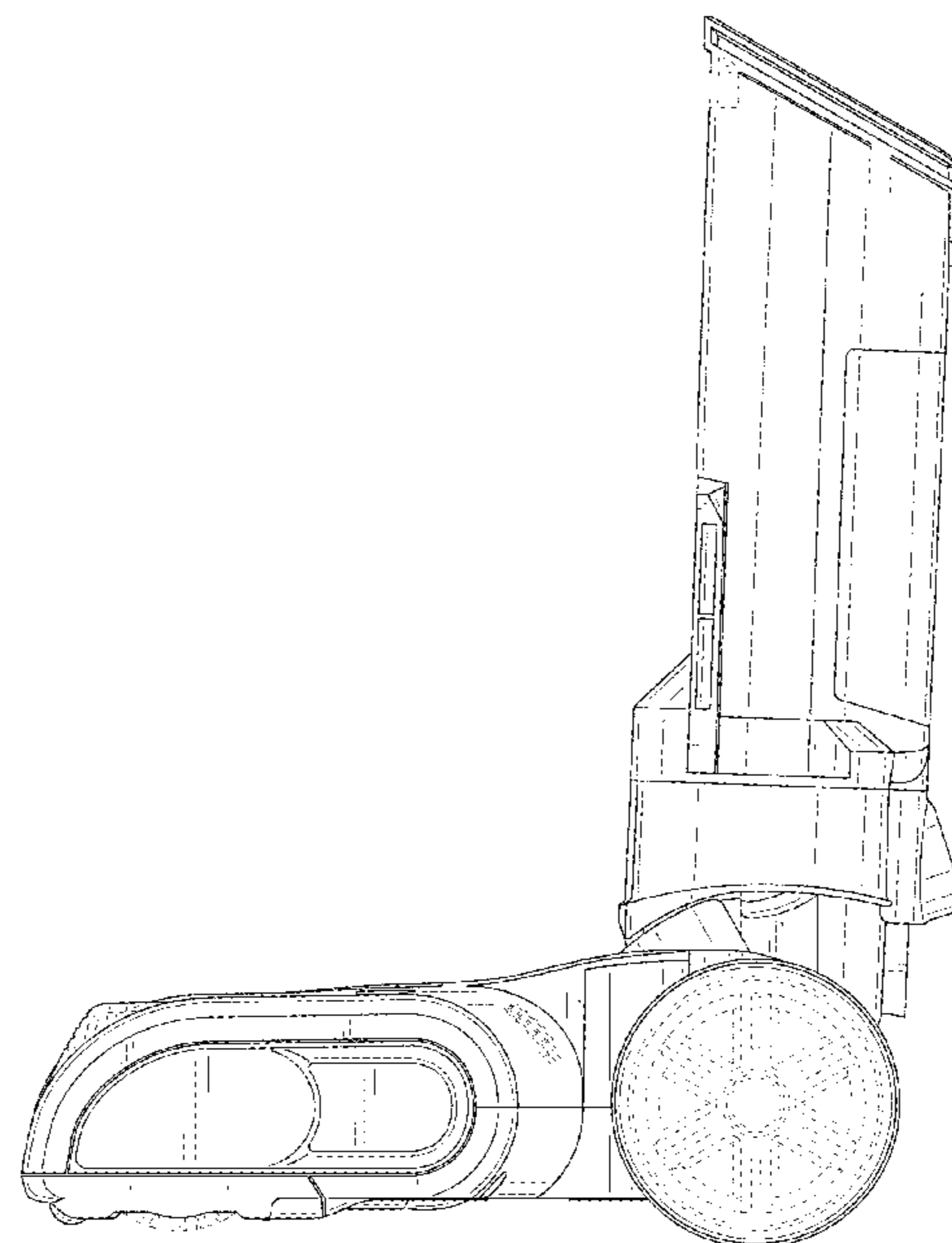
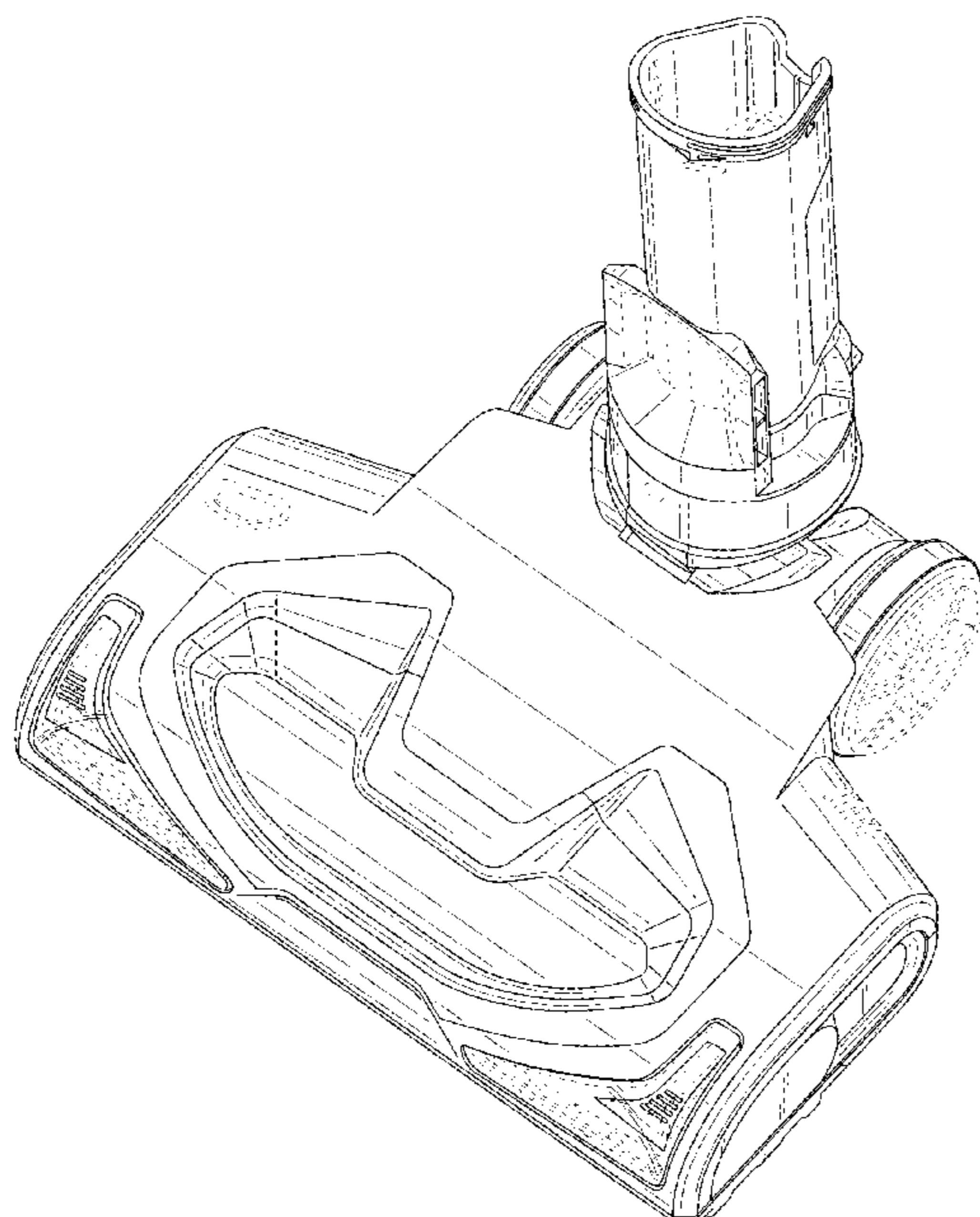
FIG. 10 is a left side elevational view of FIG. 7;

FIG. 11 is a right side elevational view of FIG. 7; and,

FIG. 12 is a top plan view of FIG. 7.

The broken lines in the drawings are for illustrative purposes only and form no part of the claimed design.

1 Claim, 12 Drawing Sheets



(56)

References Cited

U.S. PATENT DOCUMENTS

2014/0237754 A1* 8/2014 Conrad A47L 5/225
15/328

* cited by examiner

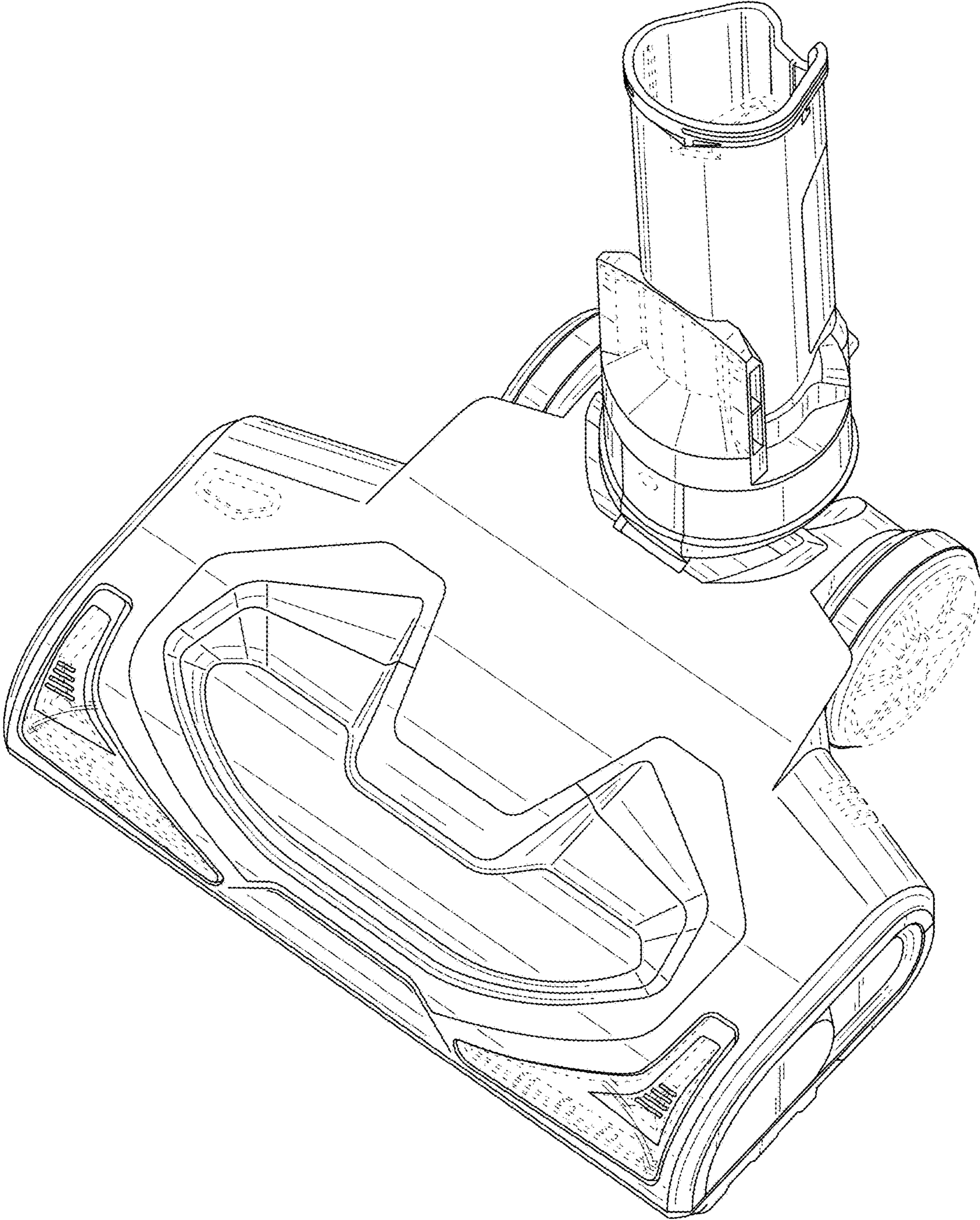


FIG. 1

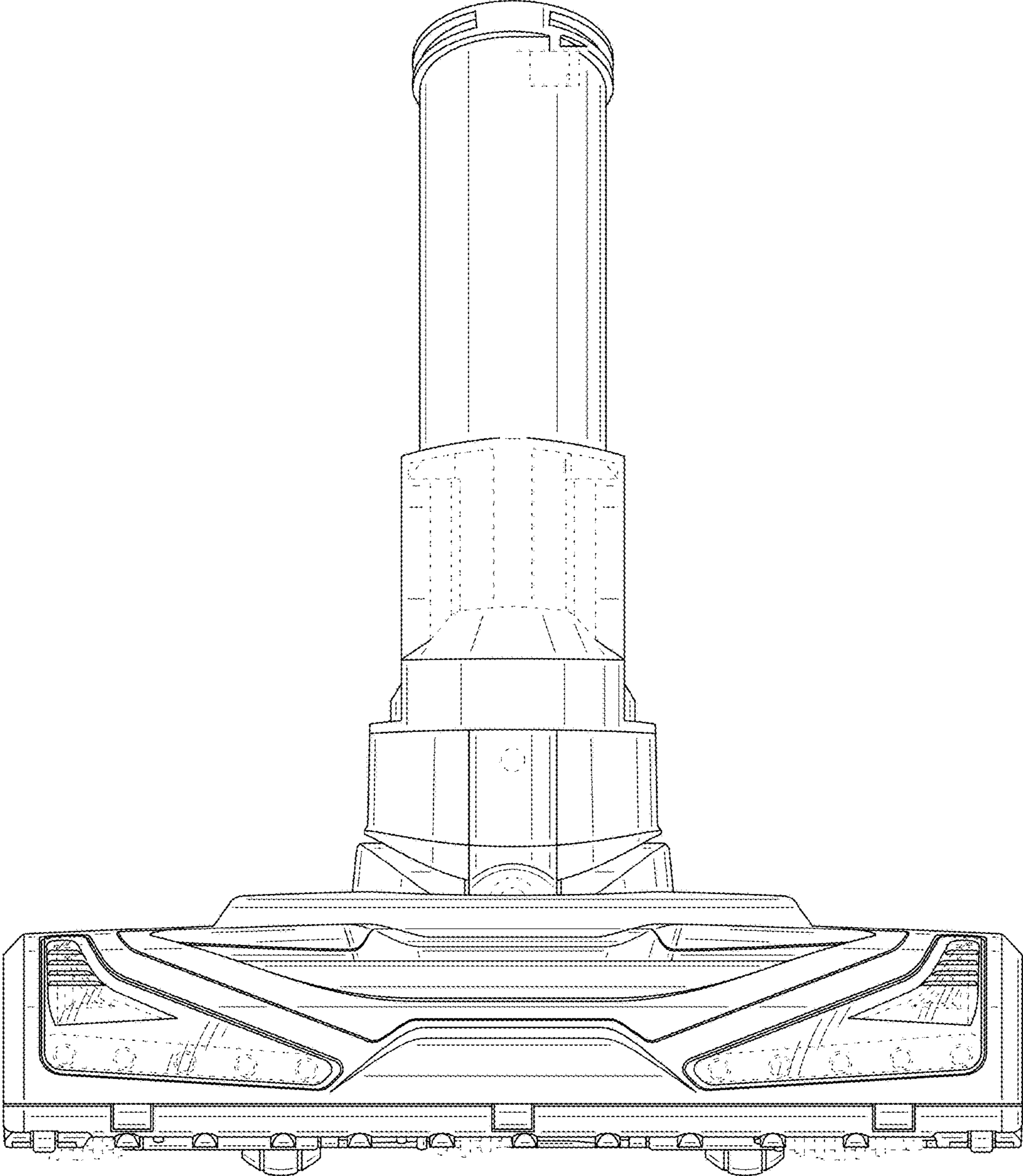


FIG. 2

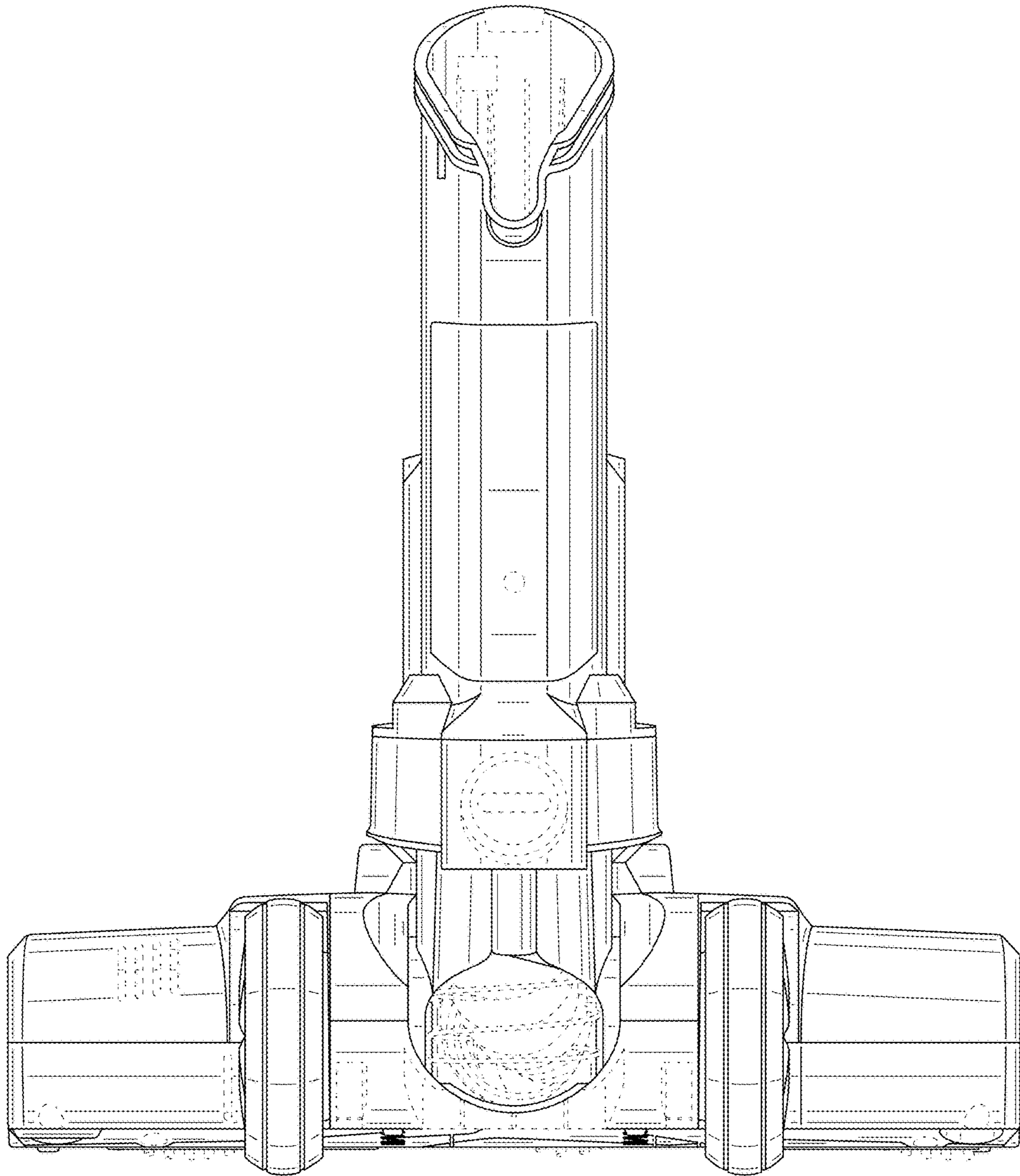


FIG. 3

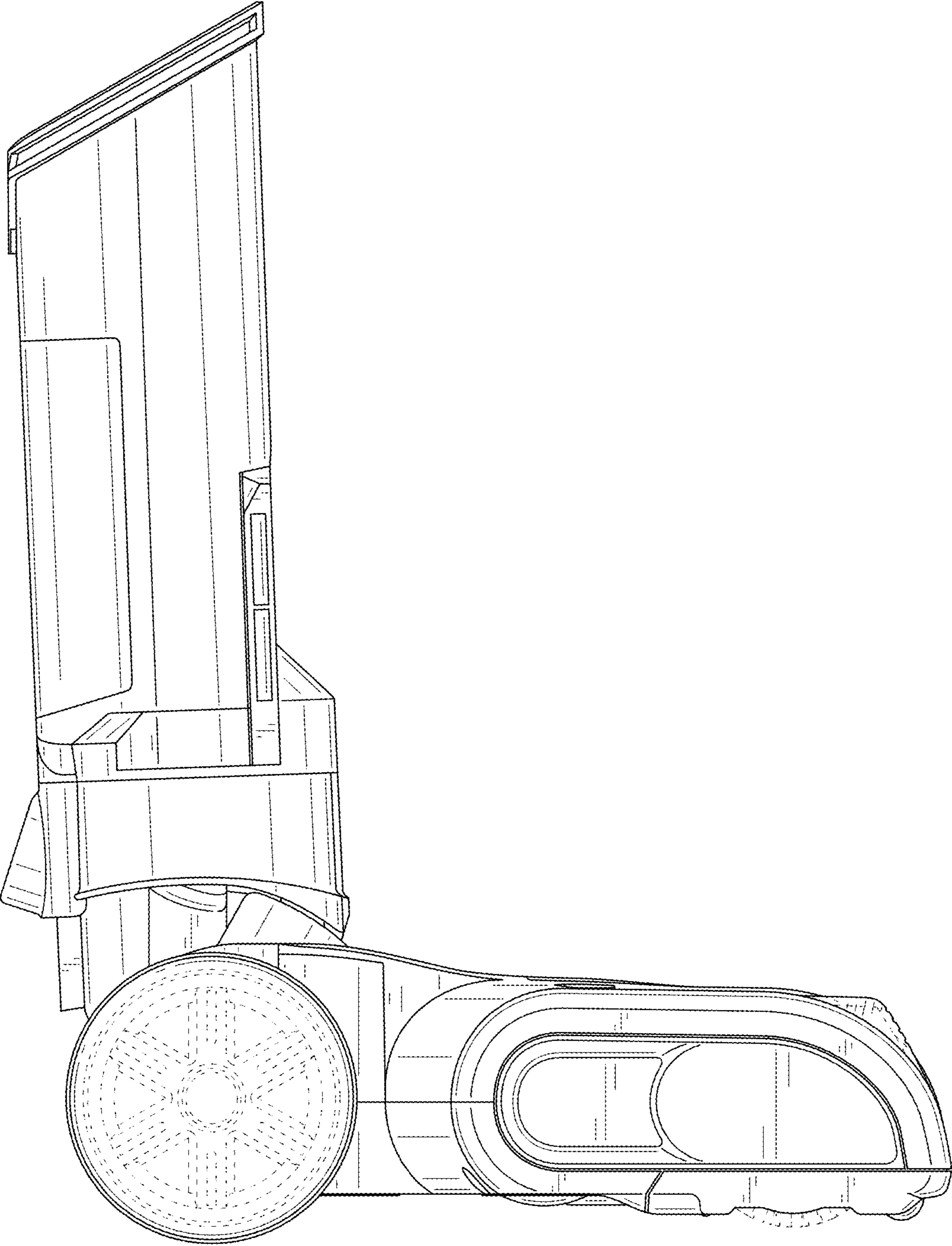


FIG. 4

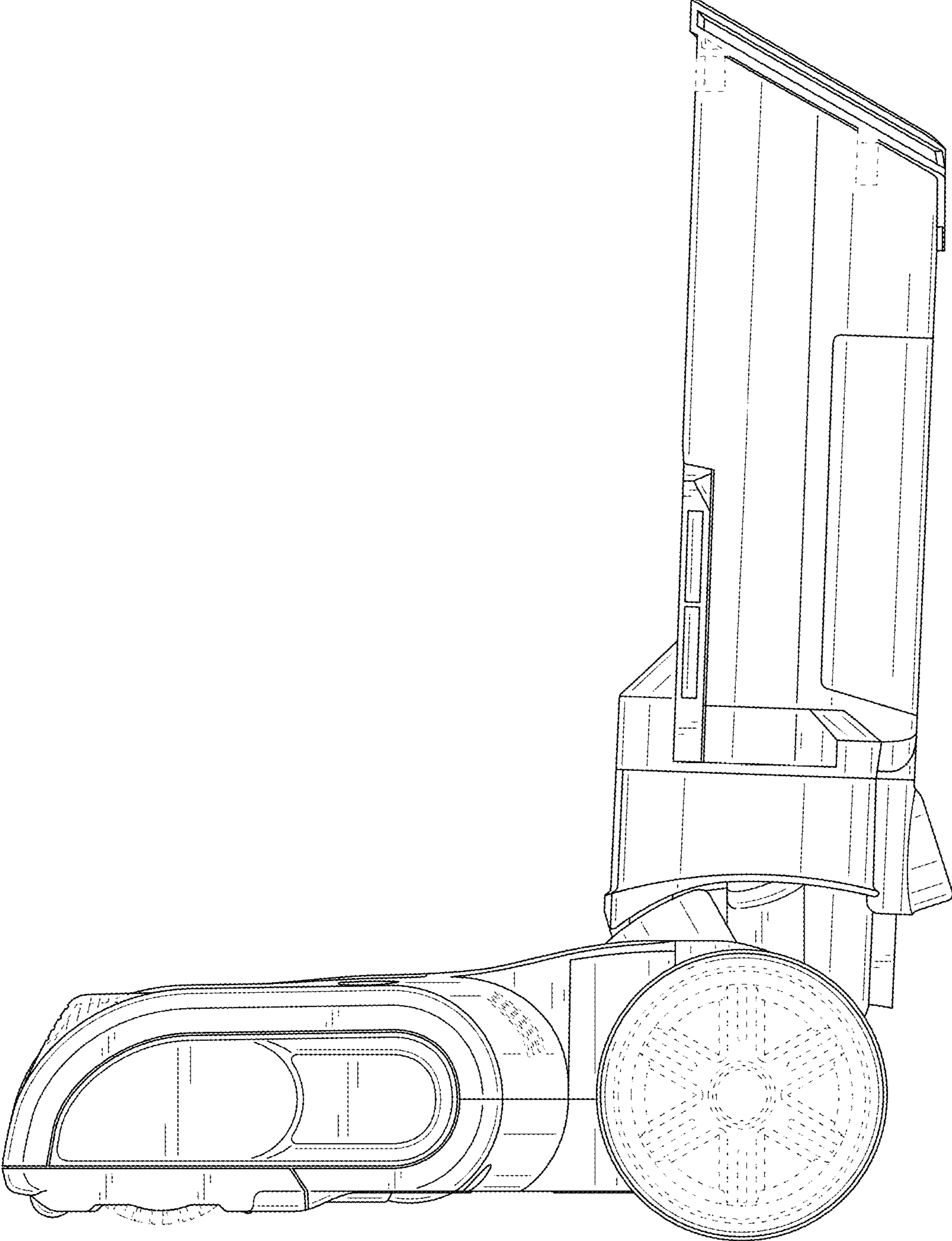


FIG. 5

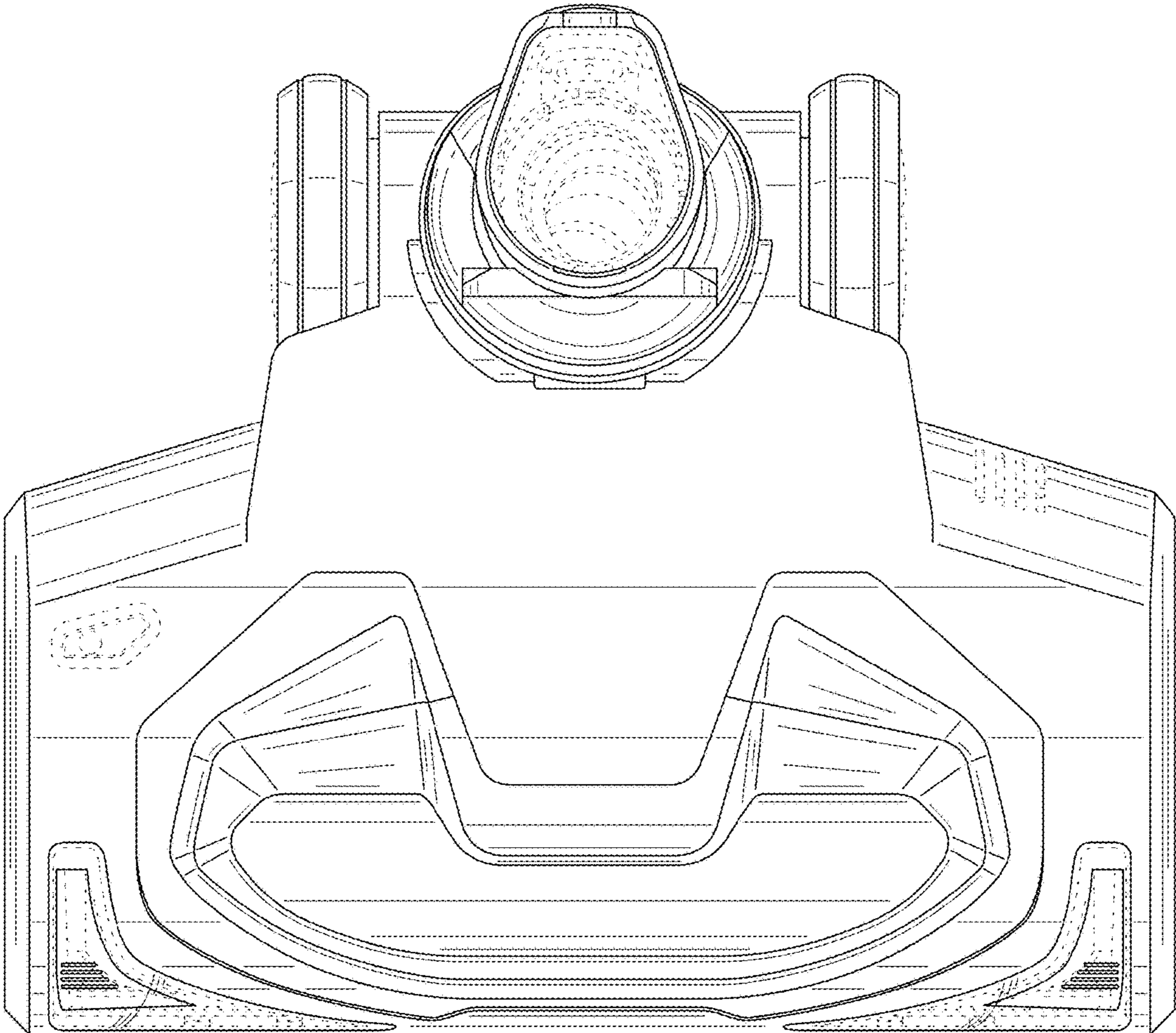


FIG. 6

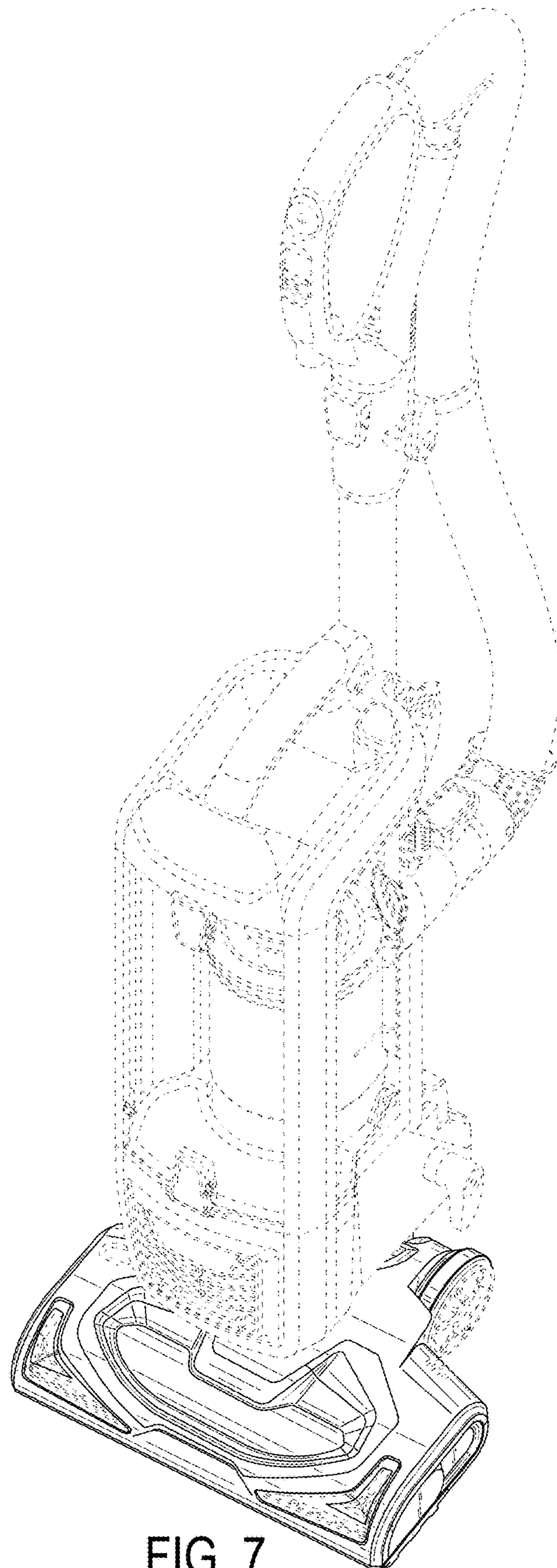


FIG. 7

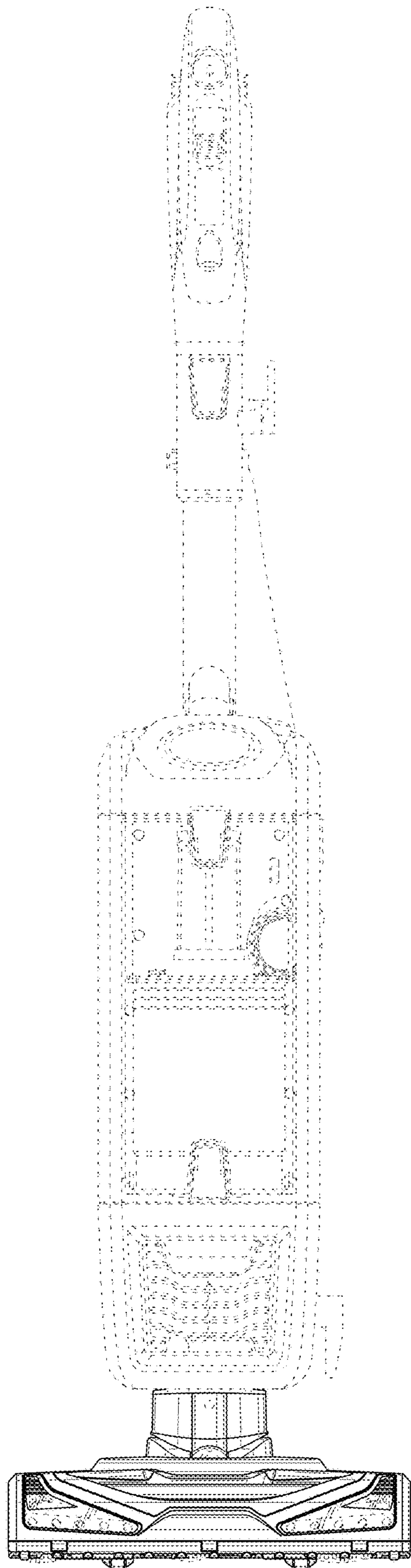


FIG. 8

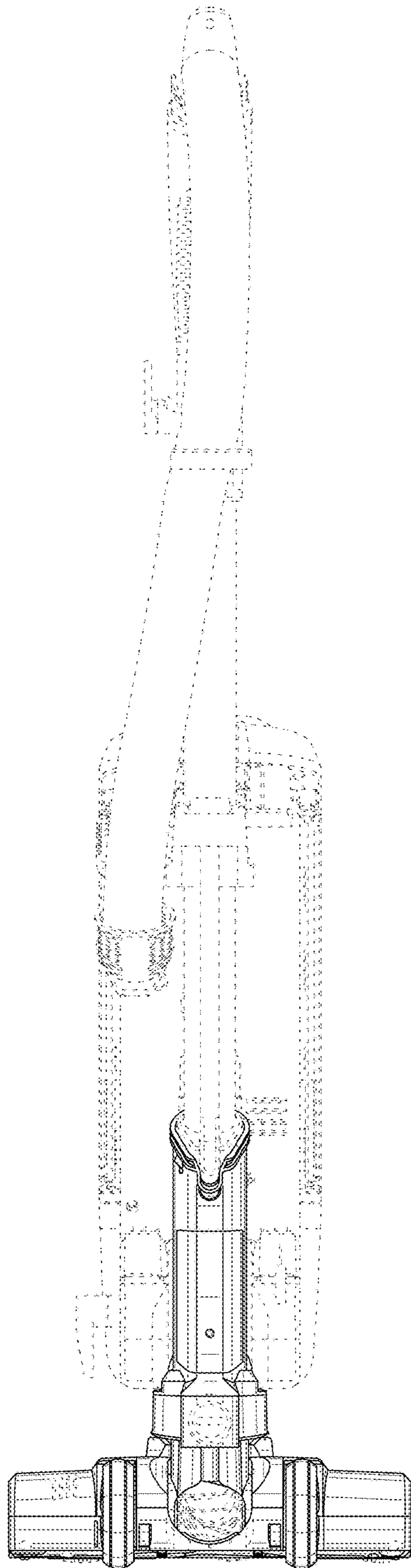


FIG. 9

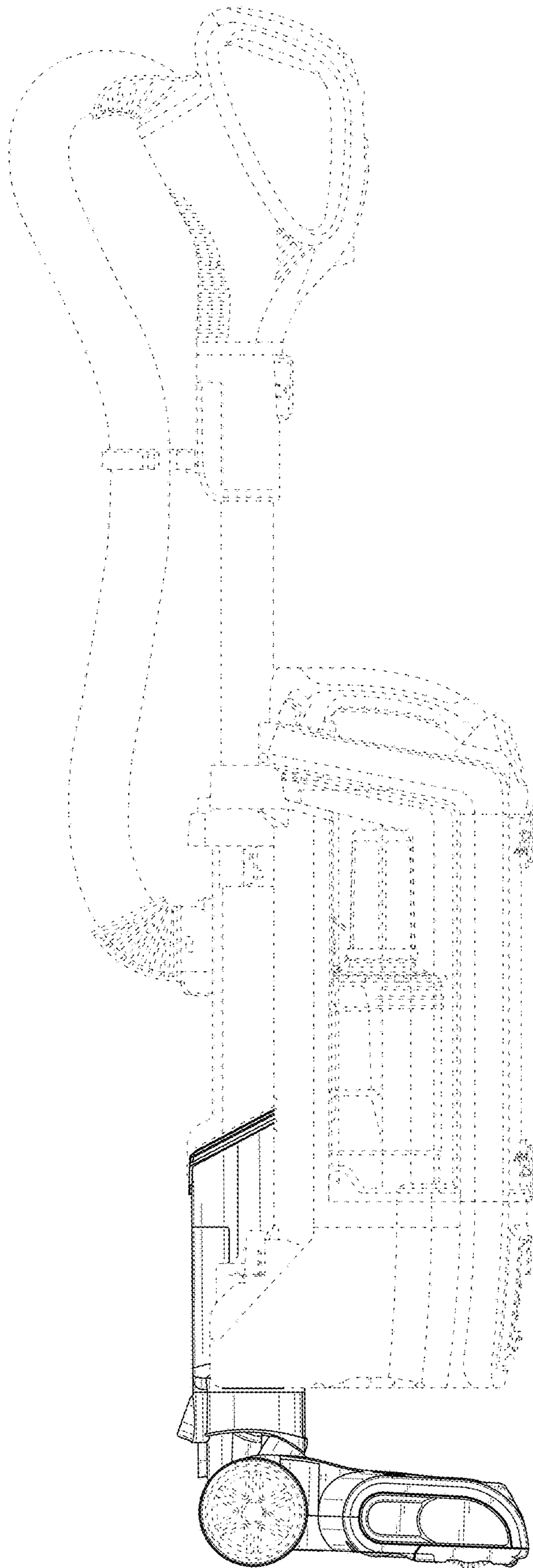


FIG. 10

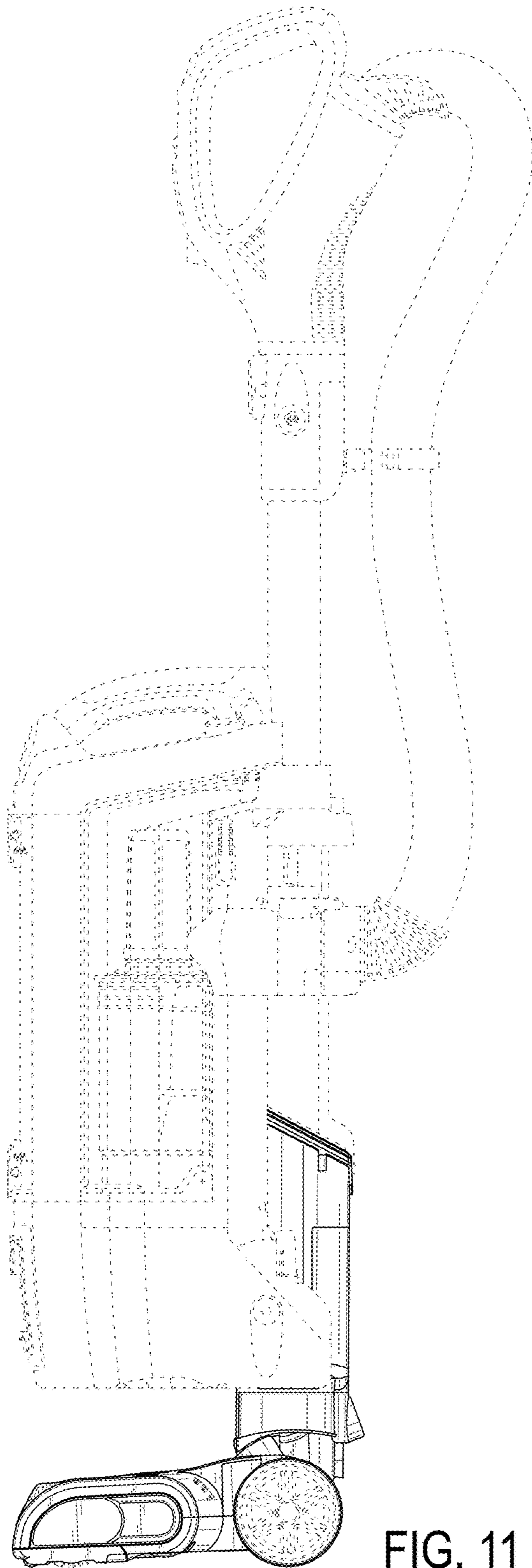


FIG. 11

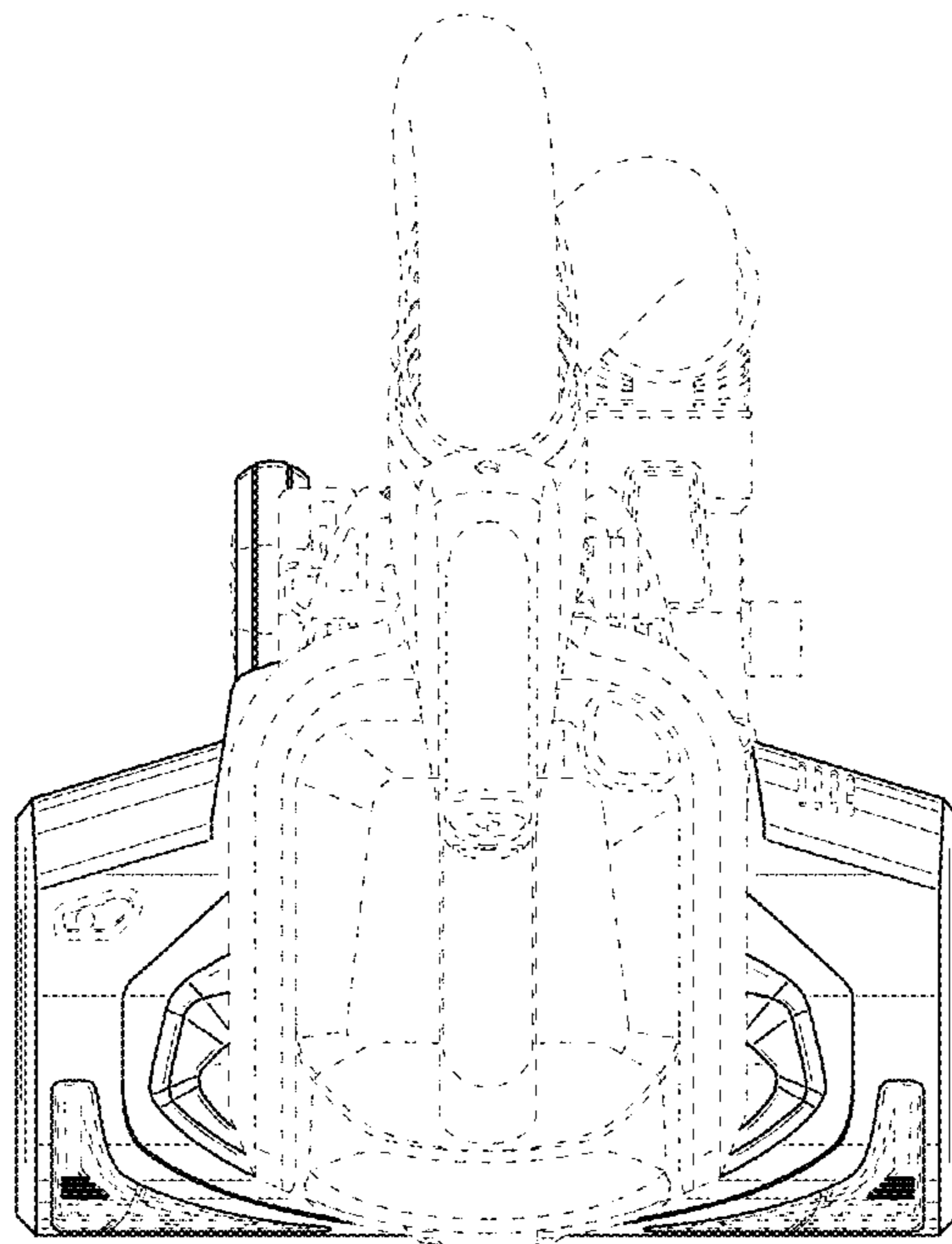


FIG. 12