



US00D779751S

(12) **United States Design Patent**
Chu

(10) **Patent No.:** **US D779,751 S**

(45) **Date of Patent:** **** Feb. 21, 2017**

- (54) **VACUUM CLEANER BASE**
- (71) Applicant: **BISSELL Homecare, Inc.**, Grand Rapids, MI (US)
- (72) Inventor: **Lawrence Chun-Hei Chu**, Shenzhen (CN)
- (73) Assignee: **BISSELL Homecare, Inc.**, Grand Rapids, MI (US)
- (**) Term: **14 Years**
- (21) Appl. No.: **29/518,715**
- (22) Filed: **Feb. 26, 2015**
- (51) **LOC (10) Cl.** **15-05**
- (52) **U.S. Cl.**
USPC **D32/32**
- (58) **Field of Classification Search**
USPC D32/25, 31-33
CPC A47L 9/02; A47L 9/06; A47L 5/28;
A47L 5/24; A47L 11/4044; E04H 4/1654;
E04H 4/34
See application file for complete search history.

- D524,002 S * 6/2006 Worwag D32/32
- D594,612 S * 6/2009 Umeda D32/32
- D597,267 S * 7/2009 Santiago D32/32
- D655,468 S * 3/2012 Karsan D32/33
- D667,184 S * 9/2012 Chu D32/33
- D720,104 S * 12/2014 Santiago D32/32
- D741,559 S * 10/2015 Marsden D32/32

* cited by examiner

Primary Examiner — Ruth McInroy

(74) *Attorney, Agent, or Firm* — McGarry Bair PC

(57) **CLAIM**

The ornamental design for a vacuum cleaner base, as shown and described.

DESCRIPTION

FIG. 1 is a front, right perspective view of a vacuum cleaner base showing my new design;
FIG. 2 is a front view thereof;
FIG. 3 is a rear view thereof;
FIG. 4 is a left side view thereof;
FIG. 5 is a right side view thereof; and,
FIG. 6 is a top view thereof.

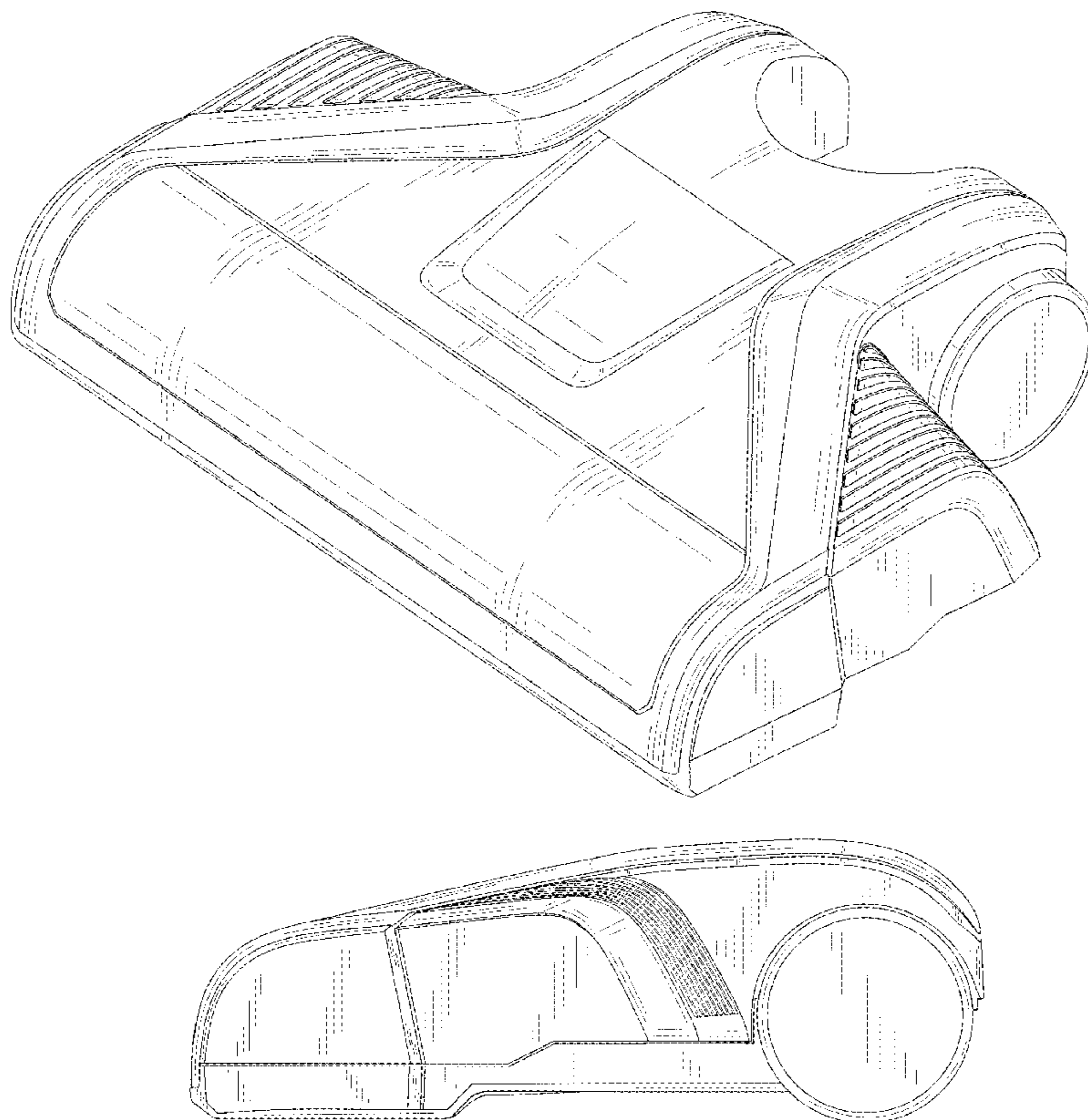
The broken lines in the figures illustrates the boundaries of the claim, and form no part of the claimed design.

(56) **References Cited**

U.S. PATENT DOCUMENTS

- D381,780 S * 7/1997 Summers D32/33
- D507,854 S * 7/2005 Kim D32/32

1 Claim, 4 Drawing Sheets



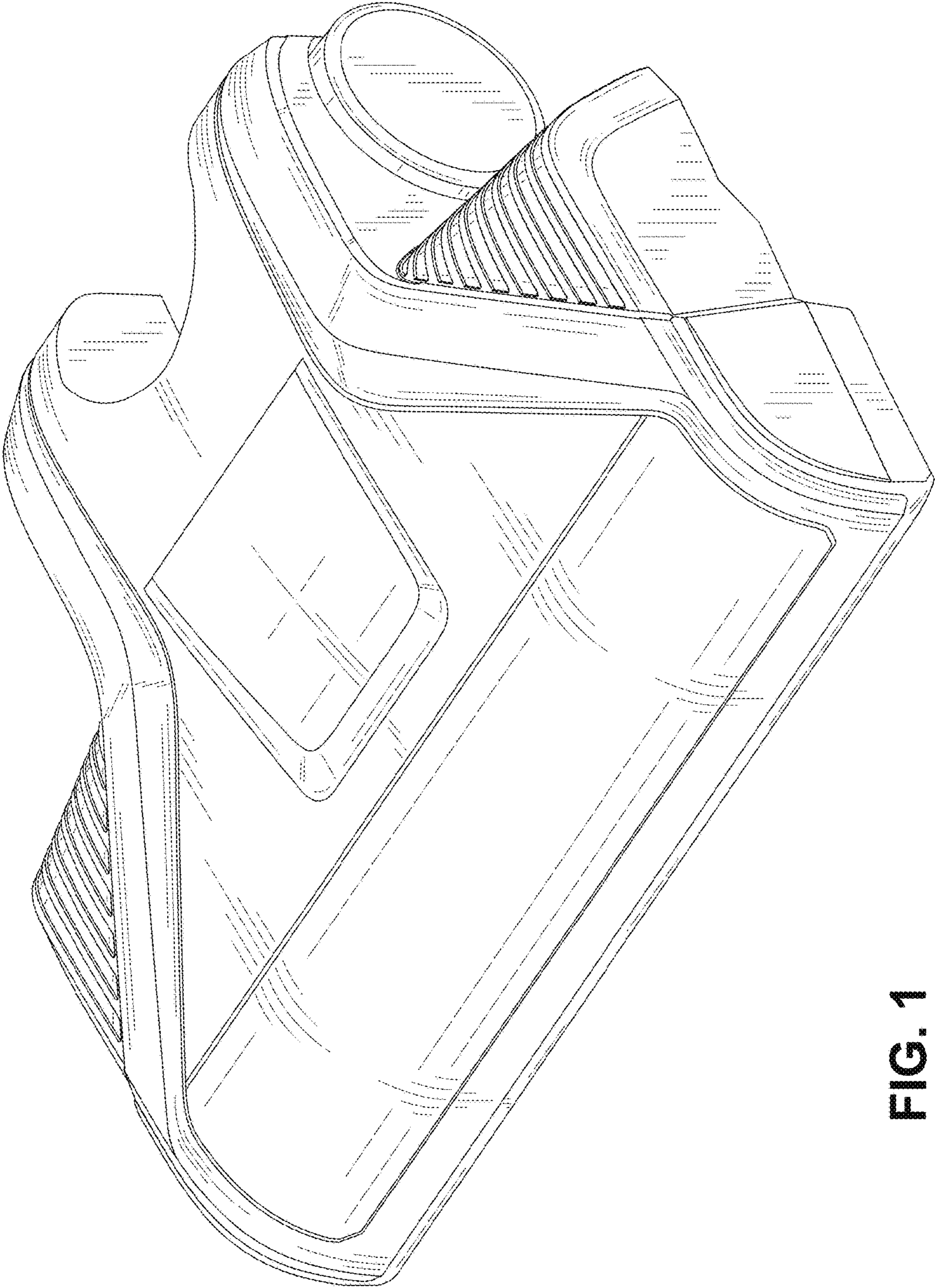


FIG. 1

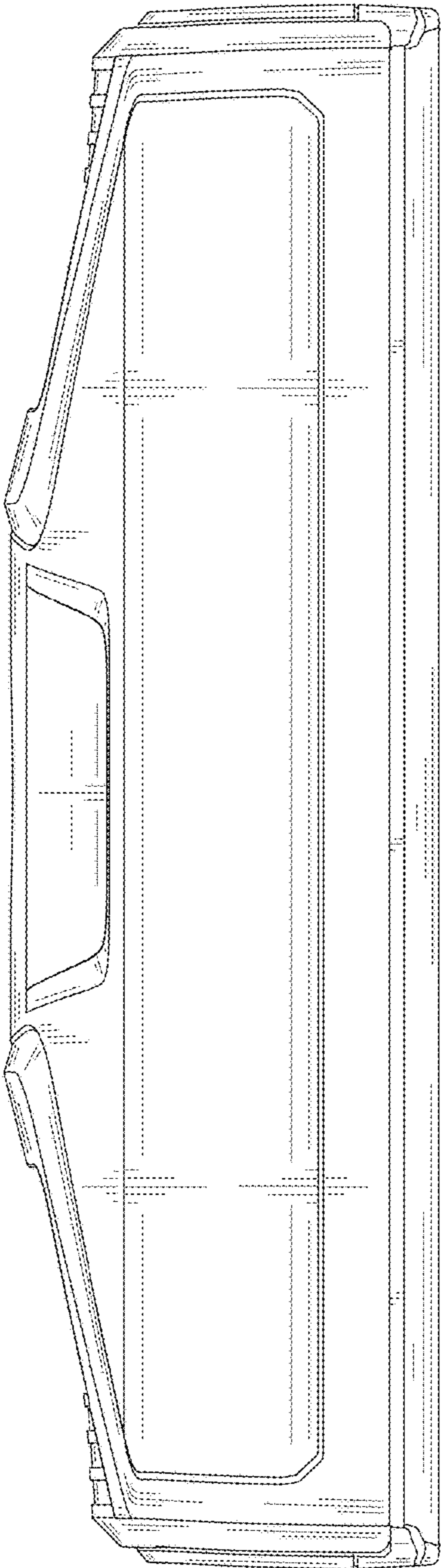


FIG. 2

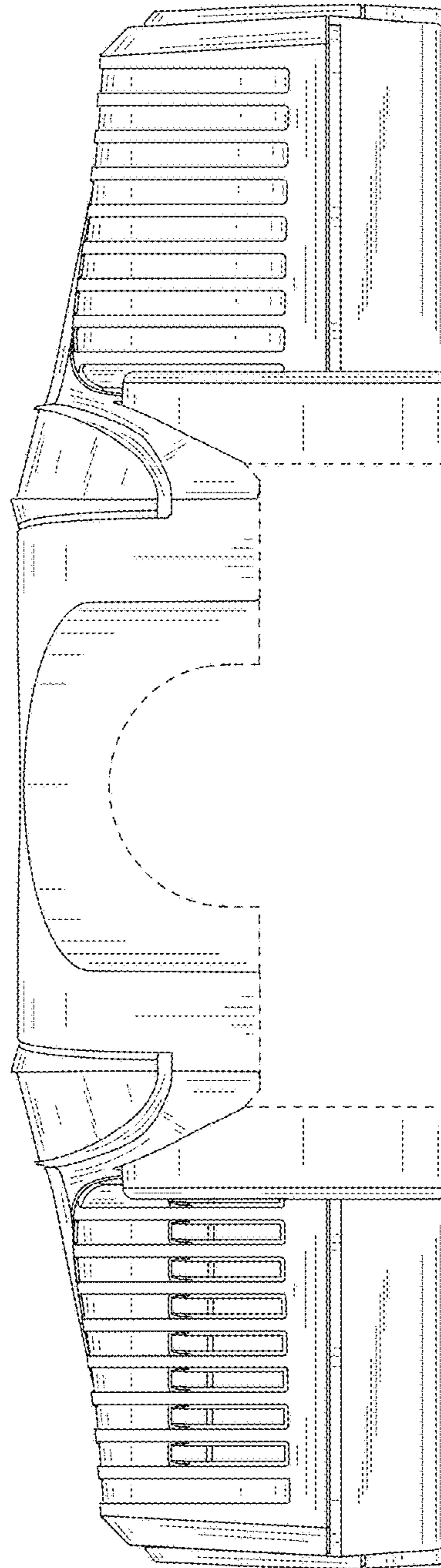


FIG. 3

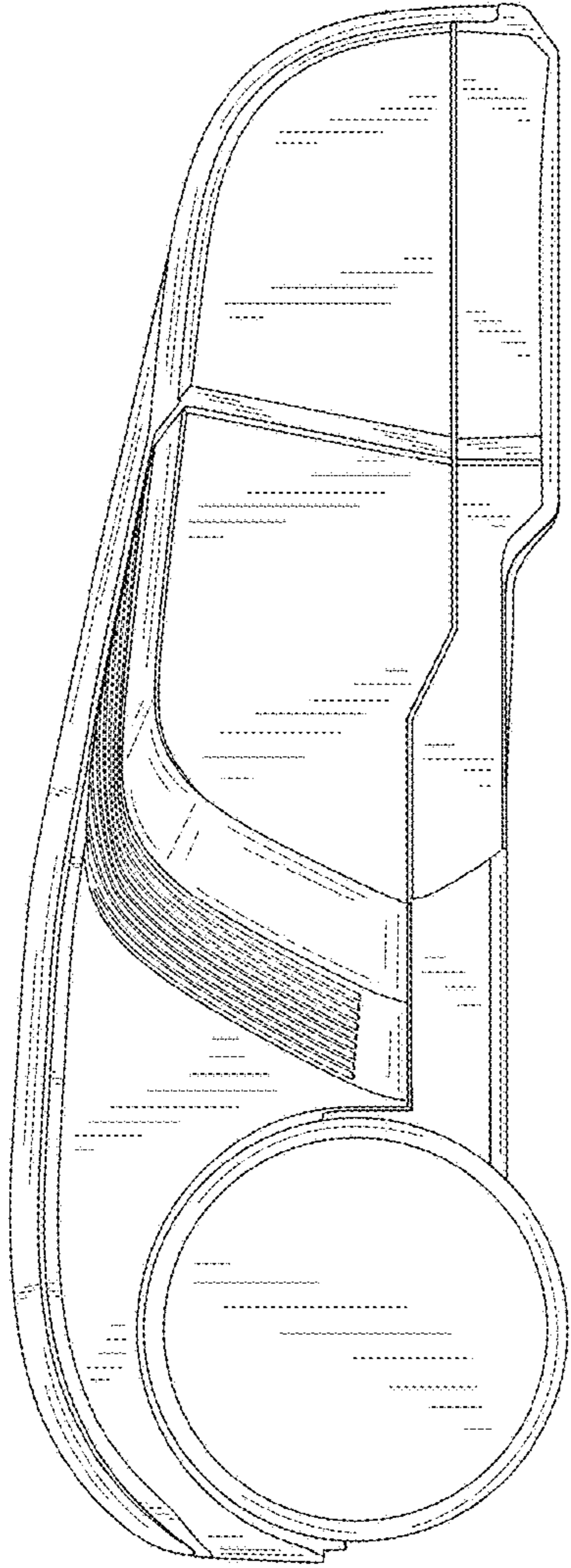


FIG. 4

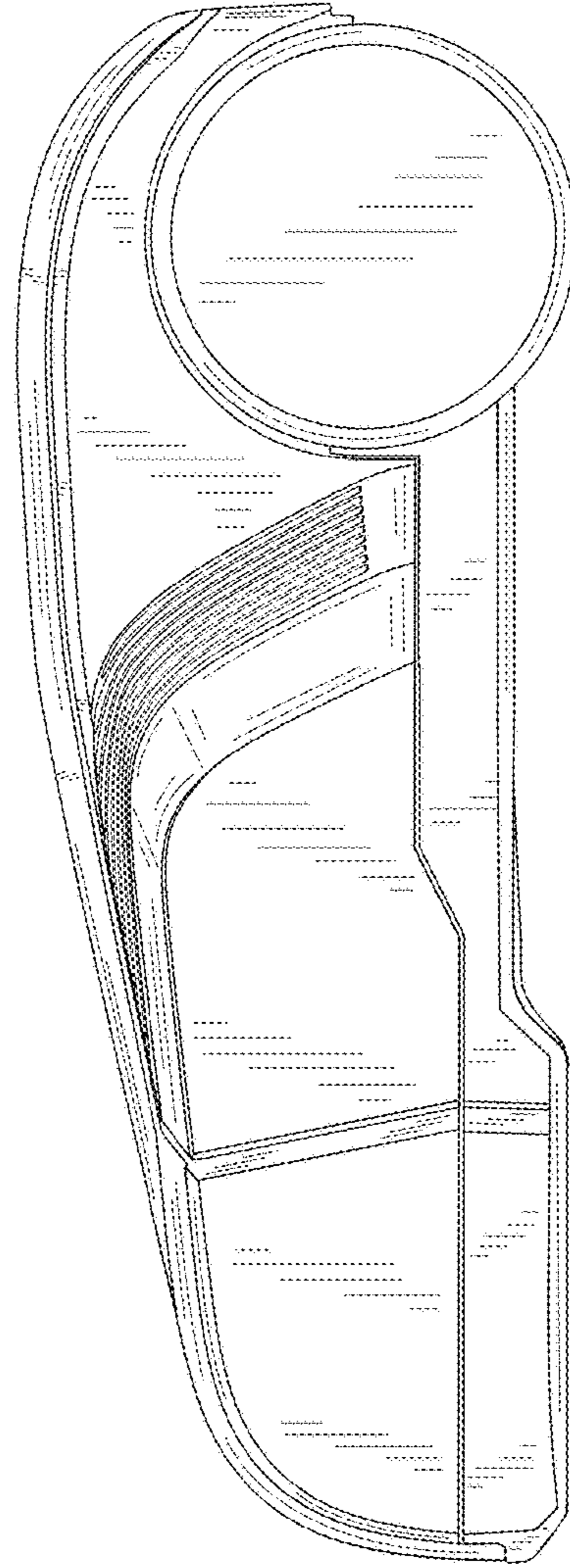


FIG. 5

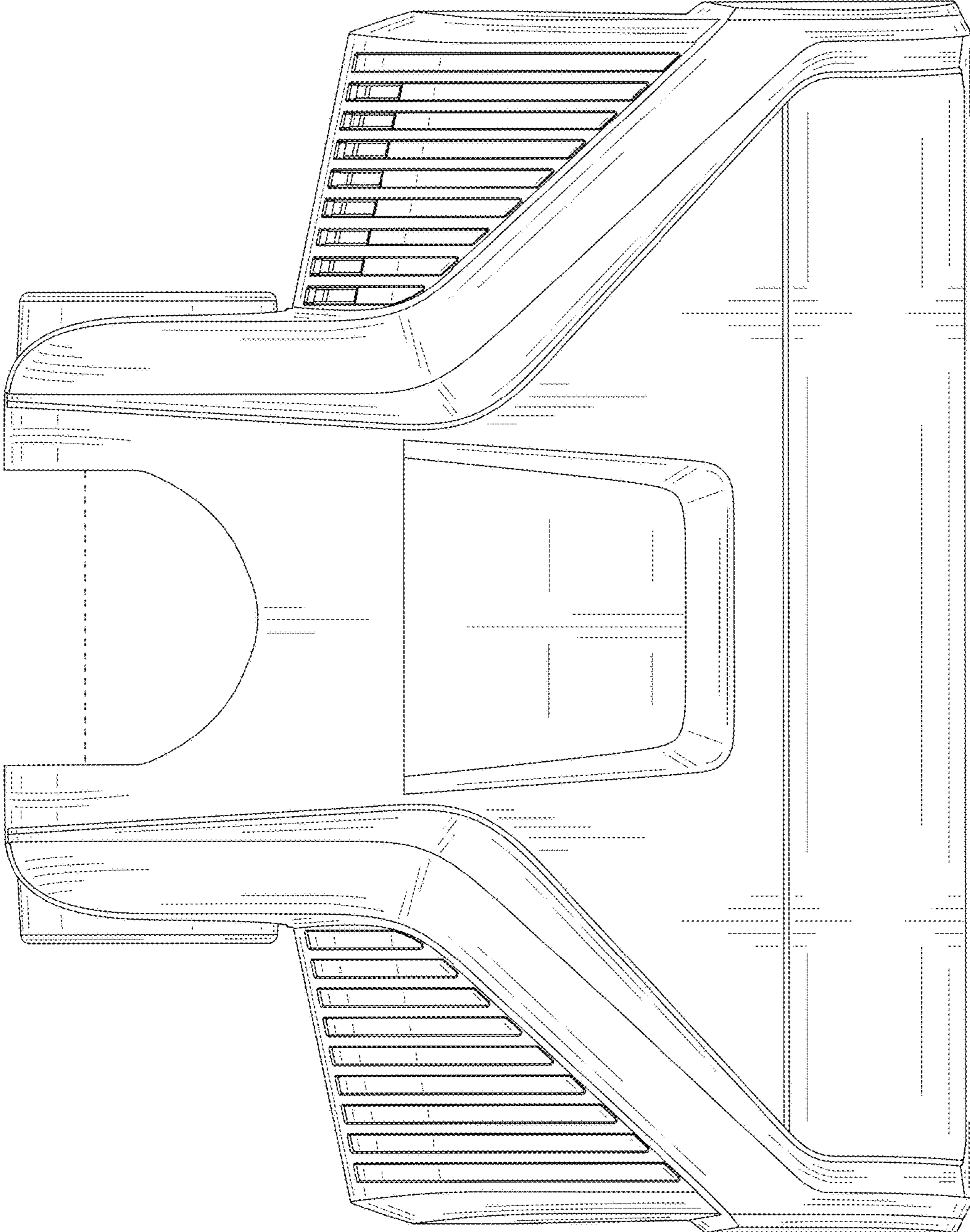


FIG. 6