



US00D779750S

(12) **United States Design Patent**
Choi et al.

(10) **Patent No.:** **US D779,750 S**
(45) **Date of Patent:** **** Feb. 21, 2017**

(54) **ROBOT CLEANER**

(71) Applicant: **Samsung Electronics Co., Ltd.**,
Suwon-si, Gyeonggi-do (KR)

(72) Inventors: **Hyoungsub Choi**, Goyang-si (KR);
Euiju Lee, Guri-si (JP)

(73) Assignee: **SAMSUNG ELECTRONICS CO., LTD.**,
Suwon-si, Gyeonggi-do (KR)

(**) Term: **15 Years**

(21) Appl. No.: **29/543,369**

(22) Filed: **Oct. 23, 2015**

(30) **Foreign Application Priority Data**

Apr. 23, 2015 (KR) 30-2015-0020795

(51) **LOC (10) Cl.** **15-05**

(52) **U.S. Cl.**
USPC **D32/31**

(58) **Field of Classification Search**

USPC D32/18, 21-24, 31
CPC A47L 9/16; A47L 9/20; A47L 9/1683;
A47L 9/1666; A47L 9/1608; A47L
9/2857; A47L 9/2842; A47L
9/2836; A47L 9/2847; A47L
9/2852; A47L 5/28; A47L 7/0038; G06N
3/008; E04H 4/1654

See application file for complete search history.

(56) **References Cited**

U.S. PATENT DOCUMENTS

D653,824 S * 2/2012 Kim D32/21
D690,887 S * 10/2013 Lee D32/21

D691,337 S * 10/2013 Kim D32/21
D703,397 S * 4/2014 Sungkyung D32/21
D704,400 S * 5/2014 Shin D32/21
D715,504 S * 10/2014 Deoksang D32/21
2014/0130290 A1* 5/2014 Jang A47L 9/108
15/319
2014/0182627 A1* 7/2014 Williams A47L 11/30
134/21

OTHER PUBLICATIONS

Korean Design Registration No. 30-0659436 English Translation.
Korean Design Registration No. 30-2012-0054199 English Trans-
lation.

* cited by examiner

Primary Examiner — Ruth McInroy

(74) *Attorney, Agent, or Firm* — Ladas & Parry LLP

(57) **CLAIM**

We claim the ornamental design for a robot cleaner, as shown and described.

DESCRIPTION

FIG. 1 is a perspective view of a robot cleaner showing our new design.

FIG. 2 is a front view thereof;

FIG. 3 is a rear view thereof;

FIG. 4 is a left-side view thereof;

FIG. 5 is a right-side view thereof;

FIG. 6 is a top view thereof; and,

FIG. 7 is a bottom view thereof.

The broken lines illustrating portions of the robot cleaner are for environmental purposes only and form no part of the claimed design.

1 Claim, 6 Drawing Sheets

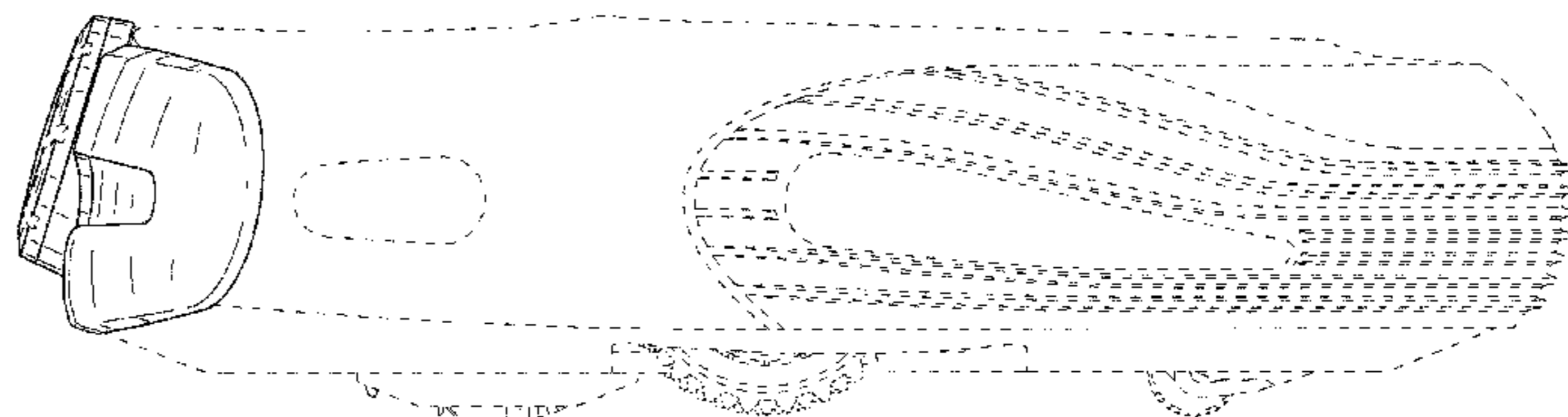
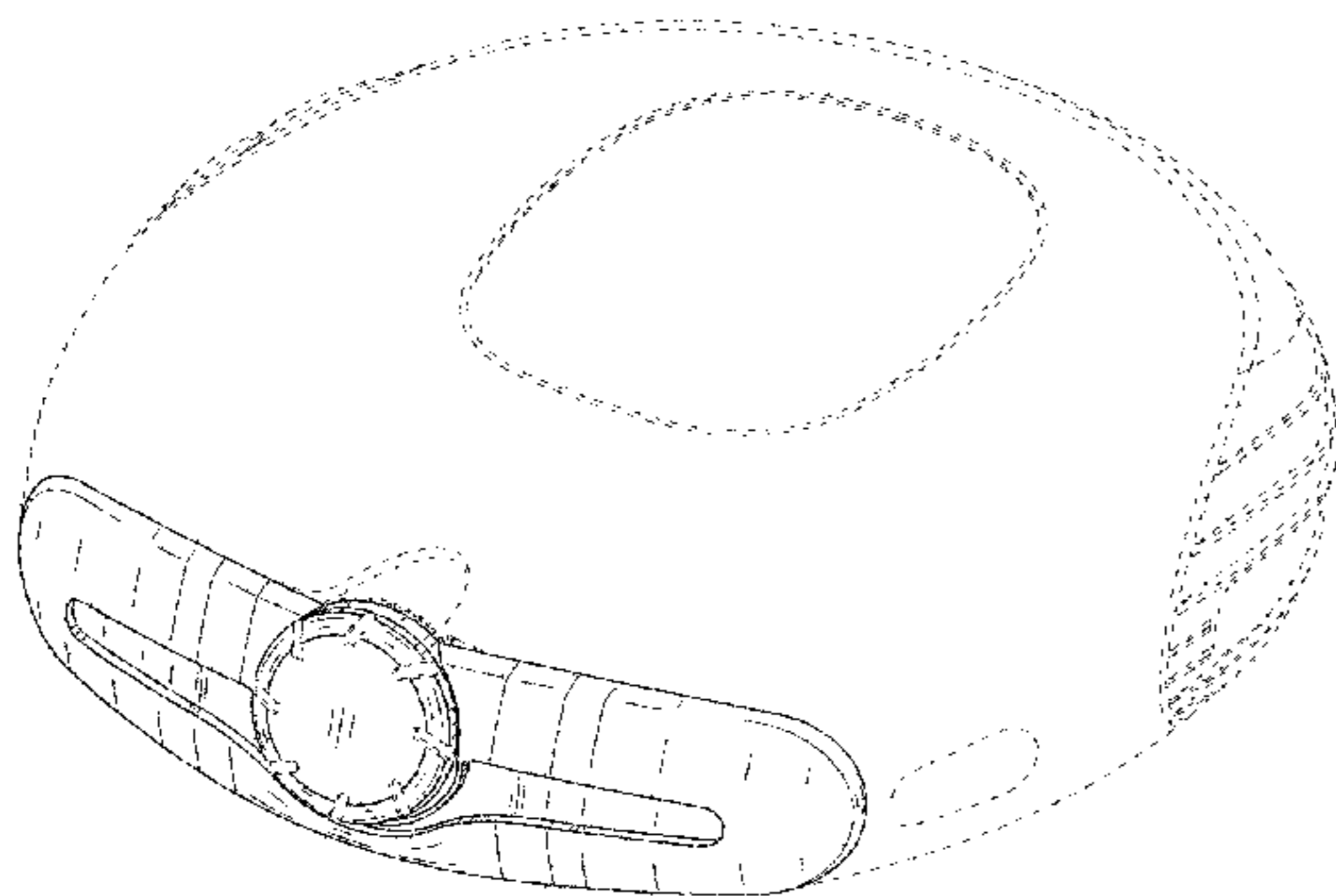


FIG. 1

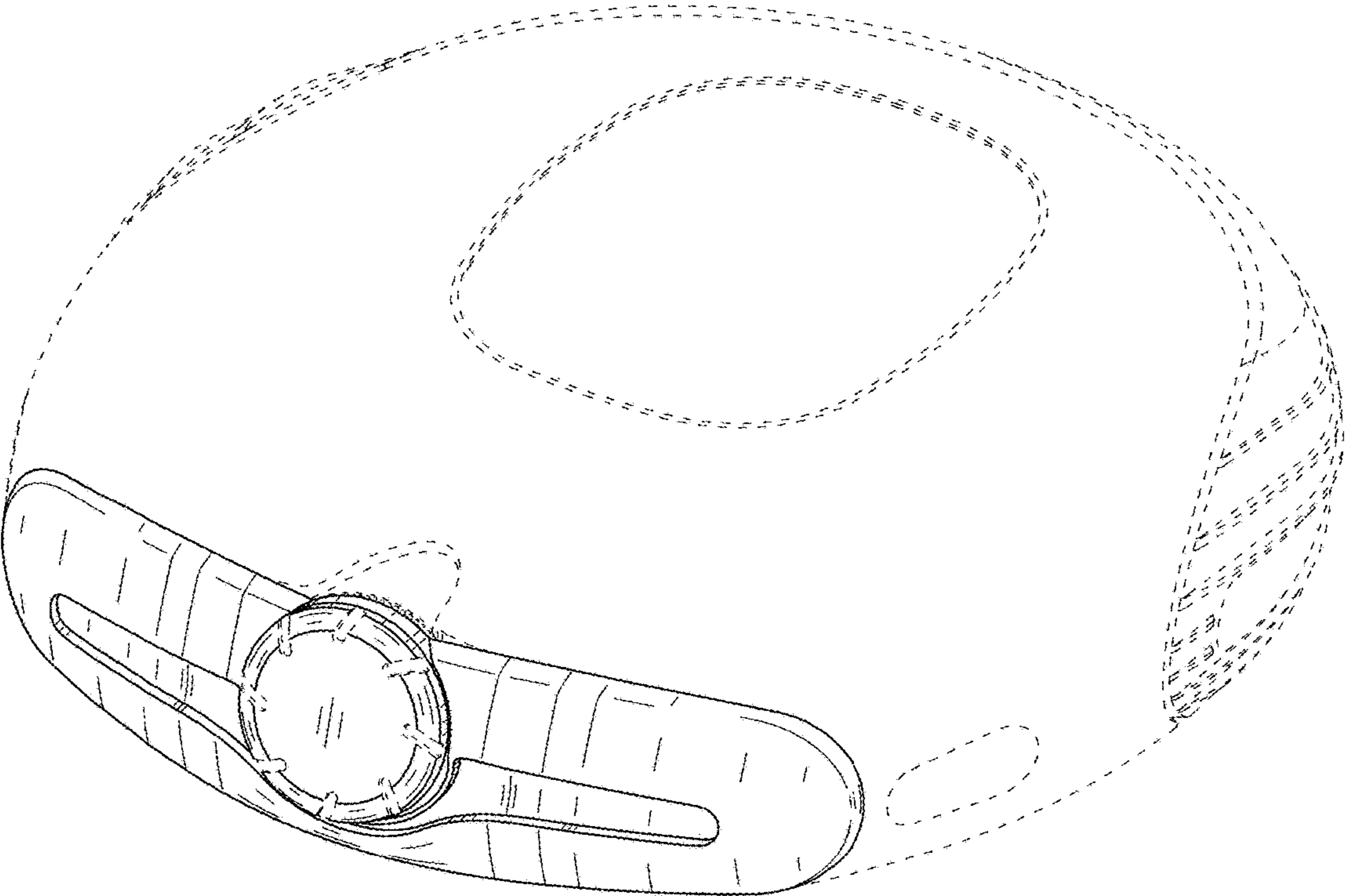


FIG. 2

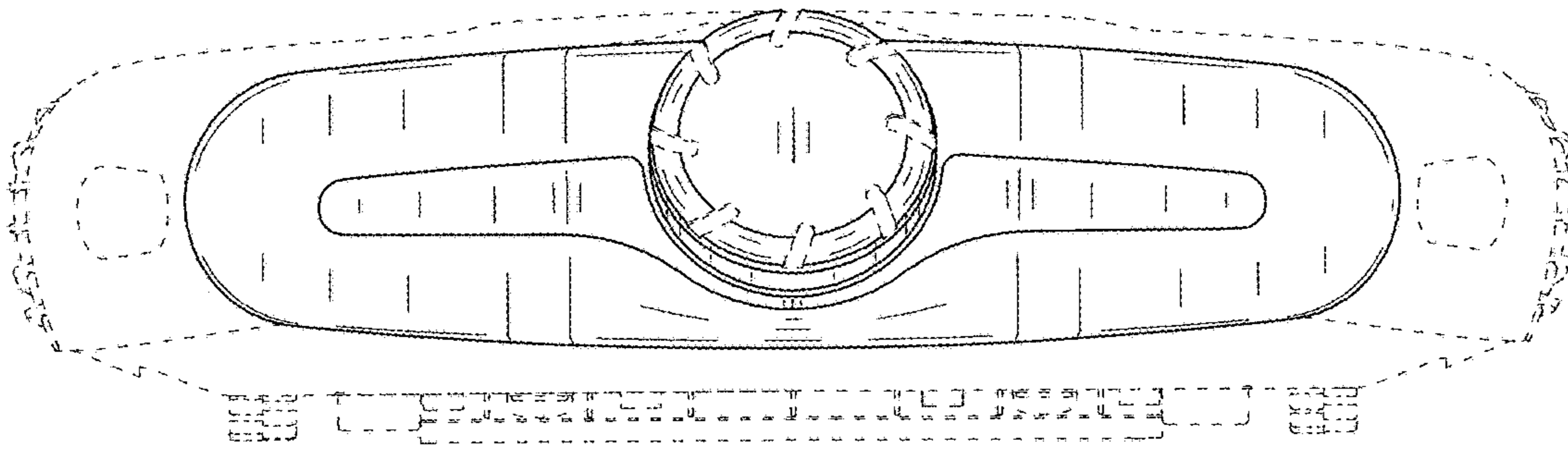


FIG. 3

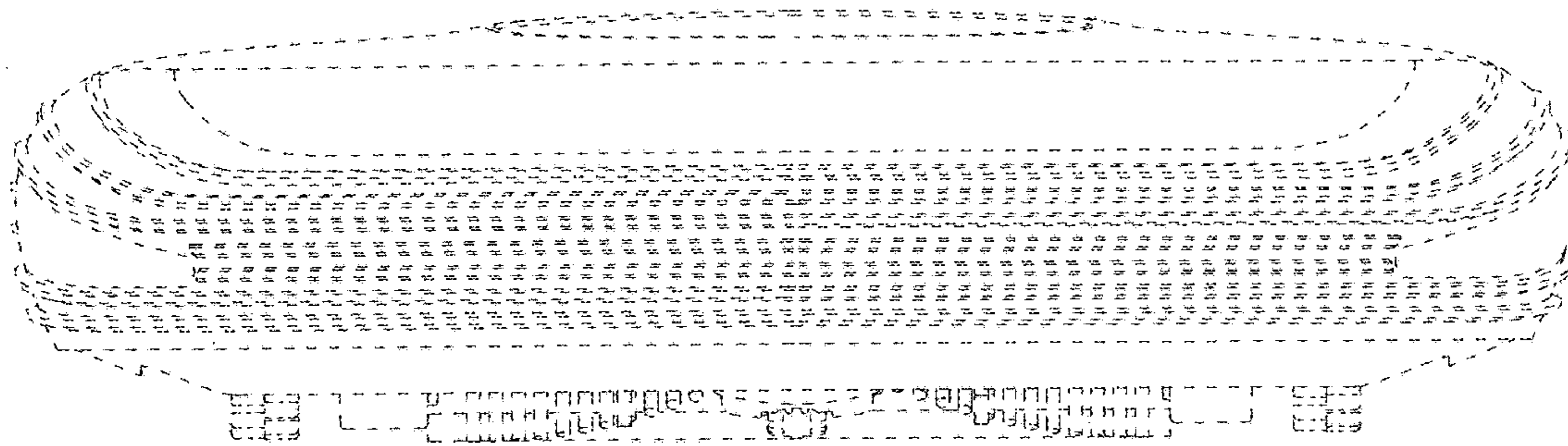


FIG. 4

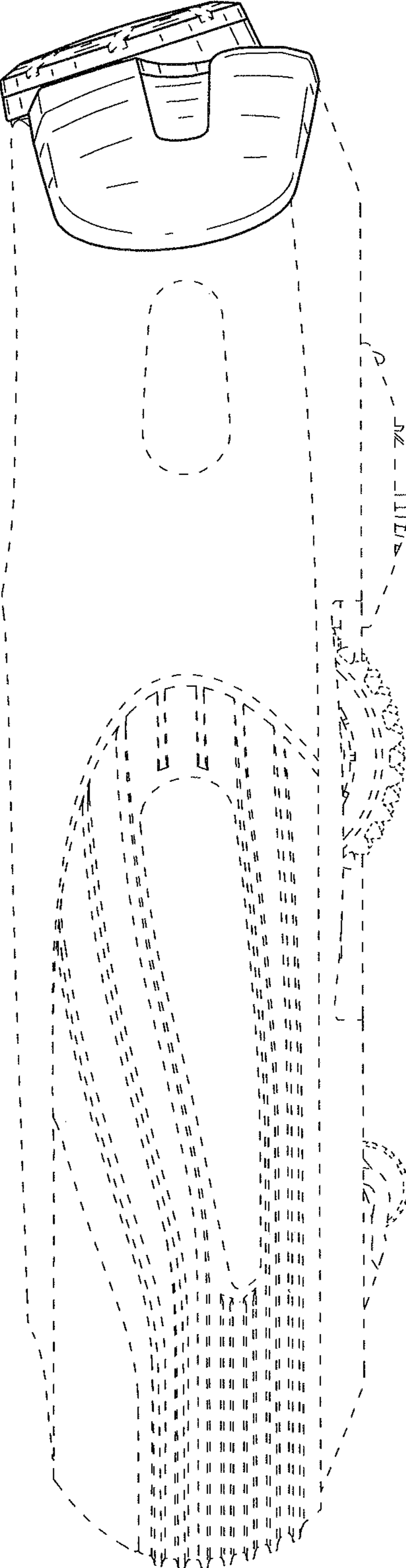


FIG. 5

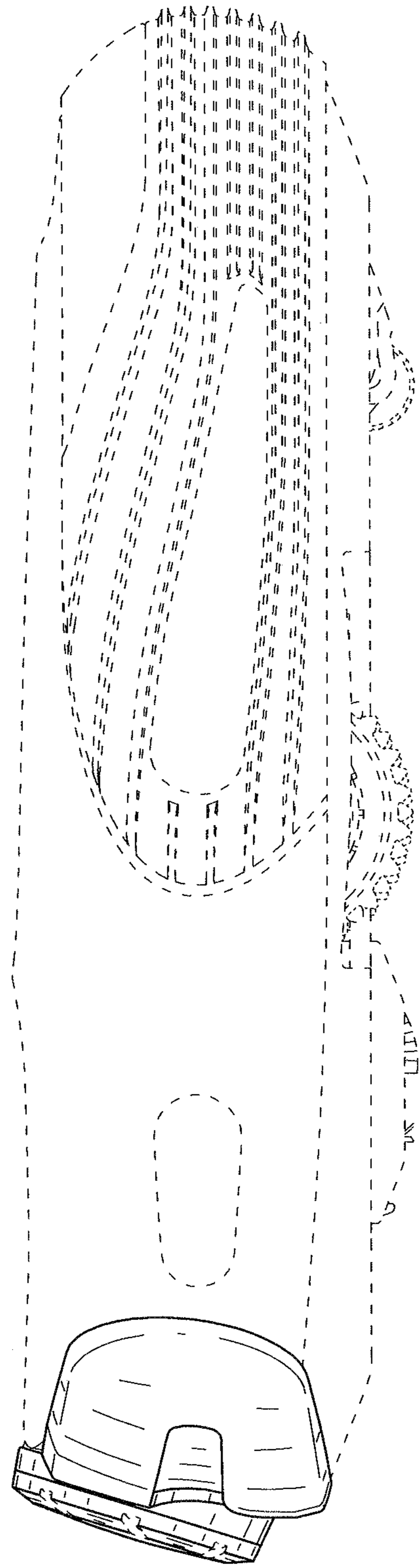


FIG. 6

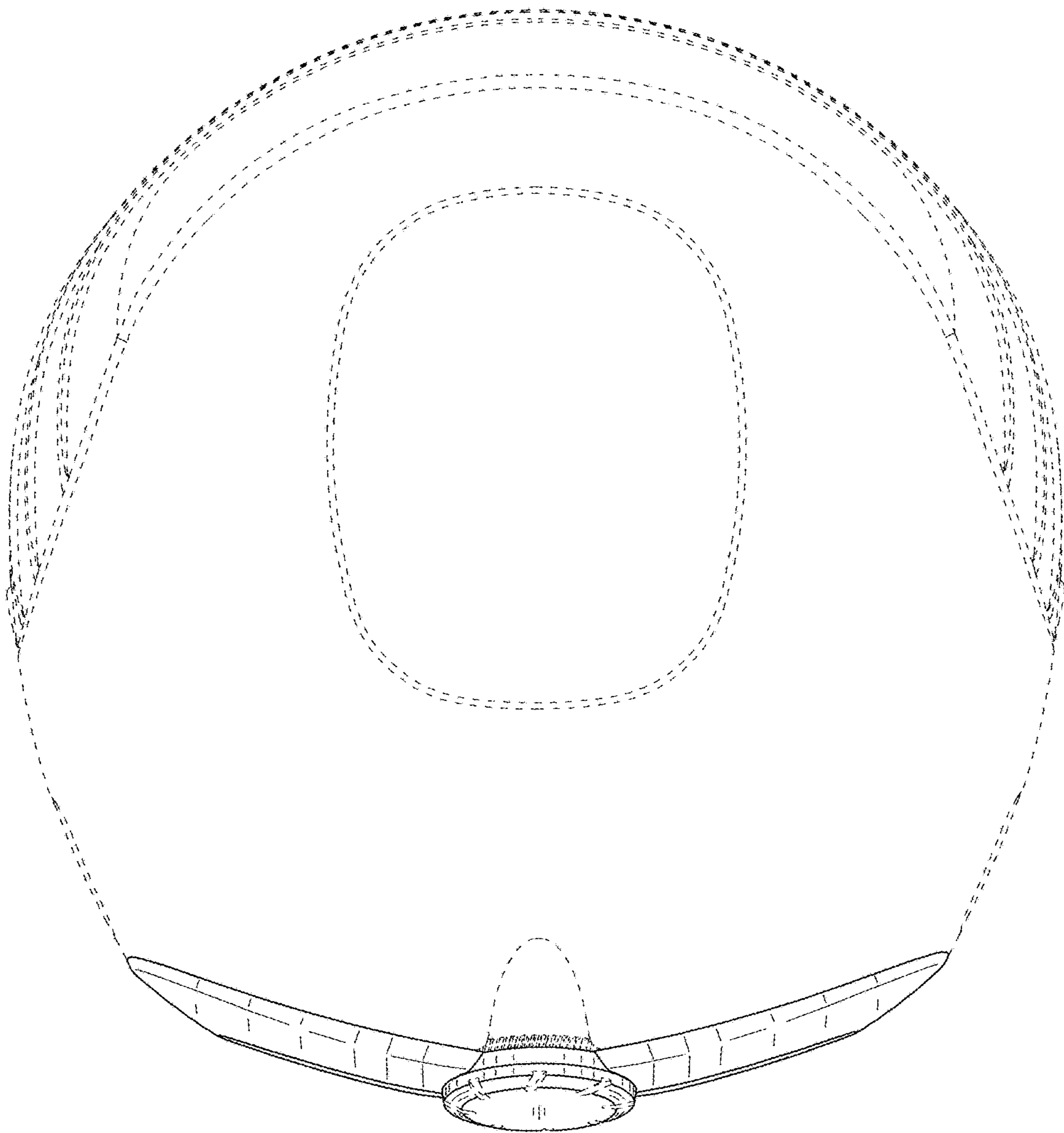


FIG. 7

