



US00D779748S

(12) **United States Design Patent**
Vanderstegen-Drake et al.

(10) **Patent No.:** **US D779,748 S**

(45) **Date of Patent:** **** Feb. 21, 2017**

(54) **VACUUM CLEANER**

(71) Applicant: **Dyson Technology Limited**, Wiltshire (GB)

(72) Inventors: **Mark Stamford Vanderstegen-Drake**, Gloucester (GB); **Peter David Gammack**, Swindon (GB); **Jonathan George Marsh**, Swindon (GB); **Adam James Bates**, Oxford (GB)

(73) Assignee: **Dyson Technology Limited**, Malmesbury, Wiltshire (GB)

(**) Term: **14 Years**

(21) Appl. No.: **29/519,097**

(22) Filed: **Mar. 2, 2015**

(30) **Foreign Application Priority Data**

Aug. 28, 2014 (EM) 001419931-0005

(51) **LOC (10) Cl.** **15-05**

(52) **U.S. Cl.**
USPC **D32/21**

(58) **Field of Classification Search**
USPC D32/18, 21-24, 31
CPC . A47L 9/16; A47L 9/20; A47L 9/1683; A47L 9/1666; A47L 9/1608; A47L 9/2857; A47L 9/2842; A47L 9/2836; A47L 9/2847; A47L 9/2852; A47L 5/28; A47L 7/0038; G06N 3/008; E04H 4/1654
See application file for complete search history.

(56) **References Cited**

U.S. PATENT DOCUMENTS

D527,854 S 9/2006 Marzynski
D548,411 S 8/2007 Schröter
D548,902 S 8/2007 Chun et al.

D556,961 S 12/2007 Swyst et al.
7,441,298 B2 10/2008 Svendsen et al.
D586,959 S 2/2009 Geringer et al.
D593,265 S 5/2009 Carr et al.
D596,815 S 7/2009 Baek
7,832,048 B2 11/2010 Harwig et al.
D658,341 S 4/2012 Nam et al.
D659,920 S 5/2012 Lee et al.
D661,032 S 5/2012 Lee et al.
D661,439 S 6/2012 Lee et al.
D661,440 S 6/2012 Lee et al.
D665,547 S 8/2012 Nam et al.
D669,235 S 10/2012 Bassett et al.
D670,877 S 11/2012 Geringer et al.

(Continued)

OTHER PUBLICATIONS

Vanderstegen-Drake et al., U.S. Office Action mailed Apr. 22, 2015, directed to U.S. Appl. No. 29/474,610; 6 pages.

(Continued)

Primary Examiner — Ruth McInroy

(74) *Attorney, Agent, or Firm* — Morrison & Foerster LLP

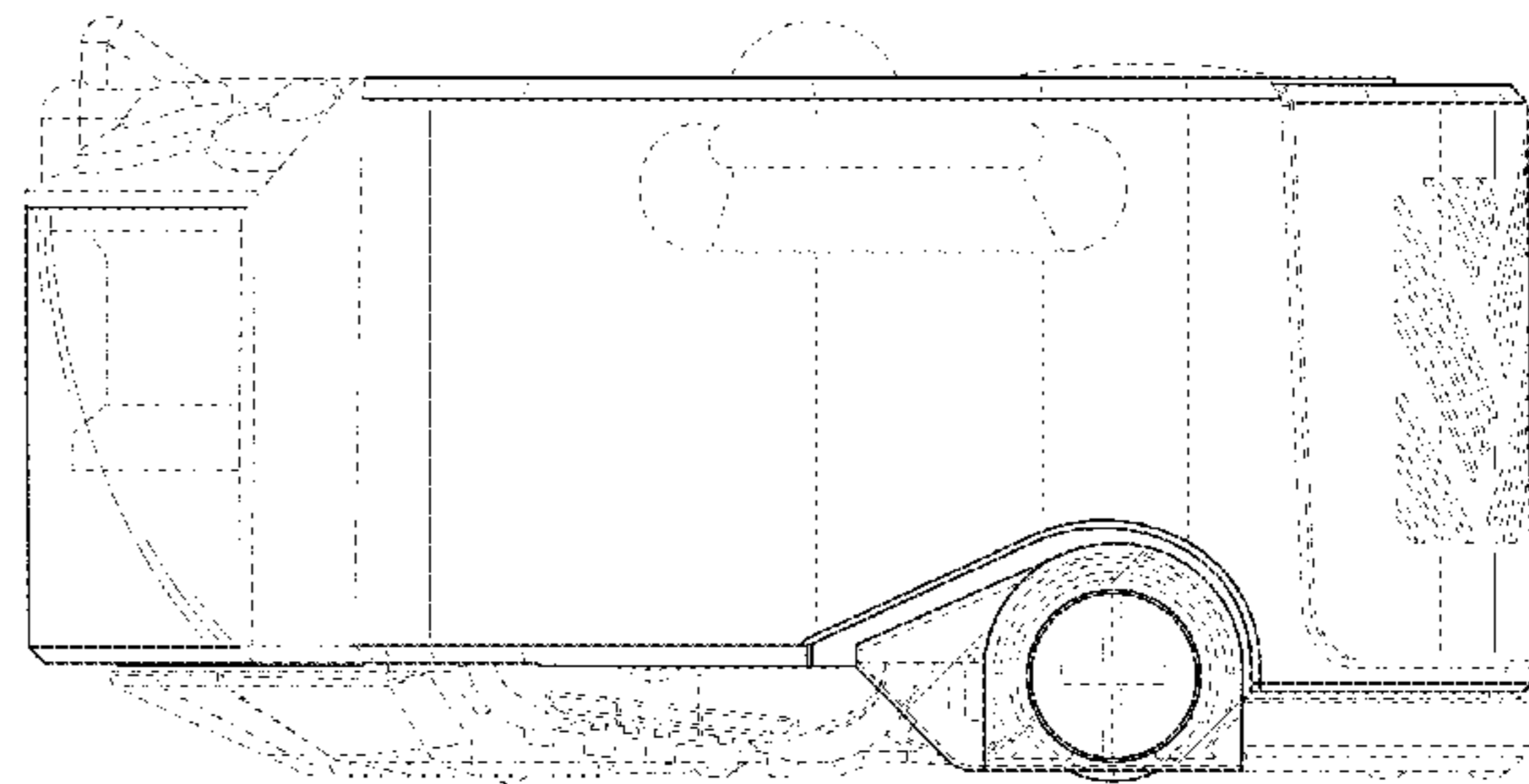
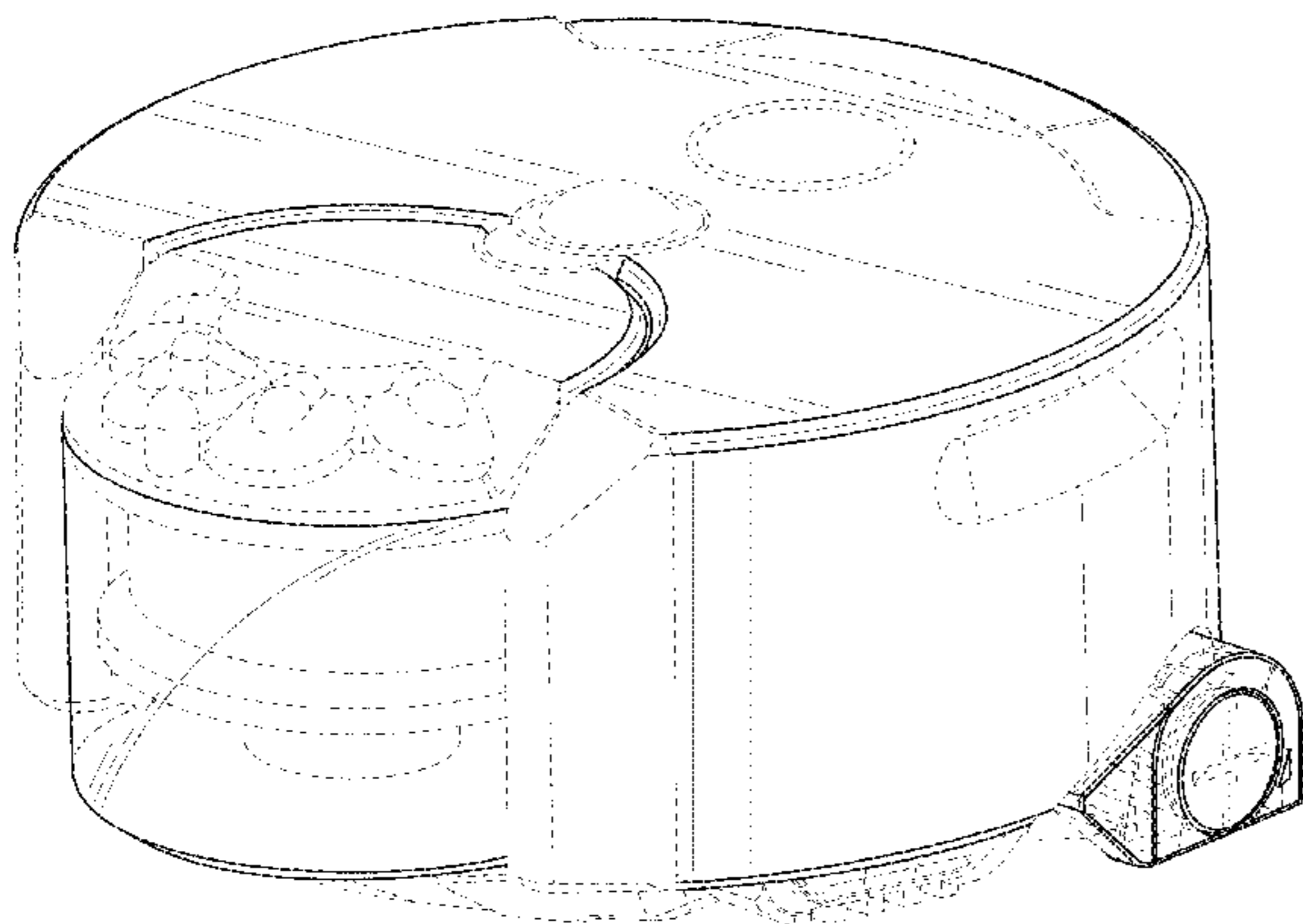
(57) **CLAIM**

We claim the ornamental design for a vacuum cleaner, as shown and described.

DESCRIPTION

FIG. 1 is a perspective view of a vacuum cleaner showing our new design;
FIG. 2 is a front view thereof;
FIG. 3 is a rear view thereof;
FIG. 4 is a side view thereof;
FIG. 5 is a side view of the opposite side of FIG. 4; and,
FIG. 6 is a top view thereof.
The details shown in broken lines form no part of the claimed design.

1 Claim, 6 Drawing Sheets



(56)

References Cited

OTHER PUBLICATIONS

U.S. PATENT DOCUMENTS

8,370,985 B2 2/2013 Schnittman et al.
 8,438,695 B2 5/2013 Gilbert, Jr. et al.
 D690,478 S 9/2013 Li et al.
 D691,337 S 10/2013 Kim et al.
 8,584,307 B2 11/2013 Won et al.
 8,627,542 B2 1/2014 Kim et al.
 D710,558 S * 8/2014 Mitchell D32/21
 D710,559 S * 8/2014 Mitchell D32/21
 D718,911 S * 12/2014 Vanderstegen-Drake D32/21
 D753,356 S * 4/2016 Vanderstegen-Drake D32/21
 2006/0288519 A1 12/2006 Jaworski et al.
 2007/0266508 A1 11/2007 Jones et al.
 2011/0191976 A1 8/2011 Yan
 2012/0023699 A1 2/2012 Shim et al.
 2012/0047676 A1 3/2012 Jung et al.
 2012/0084934 A1 4/2012 Li
 2012/0317744 A1 12/2012 Gilbert, Jr. et al.
 2012/0317745 A1 12/2012 Jung et al.
 2013/0025085 A1 1/2013 Kim et al.
 2013/0061417 A1 3/2013 Vanderstegen-Drake et al.
 2013/0086760 A1 4/2013 Han et al.
 2013/0152332 A1 6/2013 Jang
 2013/0305484 A1 * 11/2013 Dyson A47L 9/009
 15/353
 2013/0340201 A1 12/2013 Jang et al.
 2014/0312813 A1 10/2014 Murchie et al.
 2016/0058259 A1 * 3/2016 Mitchell A47L 9/1633
 15/353

Vanderstegen-Drake et al., U.S. Office Action mailed Aug. 12, 2015, directed to U.S. Appl. No. 29/474,610; 10 pages.
 Vanderstegen-Drake et al., U.S. Office Action mailed Jan. 27, 2014, directed to U.S. Appl. No. 29/450,789; 8 pages.
 Vanderstegen-Drake et al., U.S. Office Action mailed Jun. 27, 2014, directed to U.S. Appl. No. 29/450,789; 7 pages.
 Mitchell et al, U.S. Office Action mailed Jan. 27, 2014, directed to U.S. Appl. No. 29/450,791; 8 pages.
 Mitchell et al, U.S. Office Action mailed Jan. 24, 2014, directed to U.S. Appl. No. 29/450,792; 9 pages.
 Gammack et al., U.S. Office Action mailed May 3, 2016, directed to U.S. Appl. No. 29/519,102; 7 pages.
 Vanderstegen-Drake et al., U.S. Office Action mailed May 4, 2016, directed to U.S. Appl. No. 29/519,093; 7 pages.
 Mitchell et al., U.S. Office Action mailed May 20, 2016, directed to U.S. Appl. No. 29/519,094; 10 pages.
 Mitchell et al., U.S. Office Action mailed May 3, 2016, directed to U.S. Appl. No. 29/519,095; 6 pages.
 Vanderstegen-Drake et al., U.S. Office Action mailed May 20, 2016, directed to U.S. Appl. No. 29/519,116; 6 pages.
 Vanderstegen-Drake et al., U.S. Office Action mailed May 3, 2016, directed to U.S. Appl. No. 29/519,118; 5 pages.
 Vanderstegen-Drake et al., U.S. Office Action mailed May 31, 2016, directed to U.S. Appl. No. 29/555,300; 9 pages.

* cited by examiner

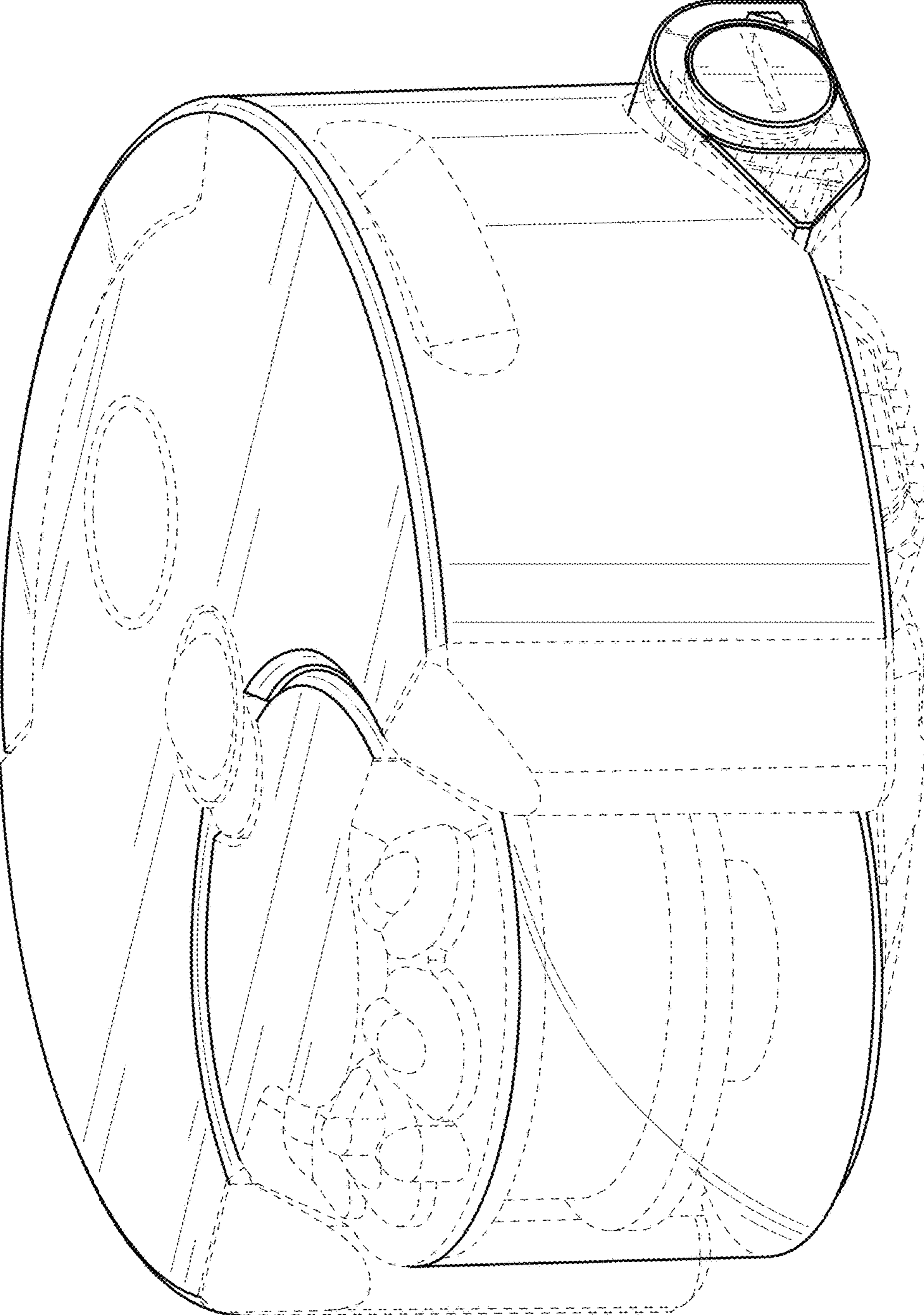


FIG. 1

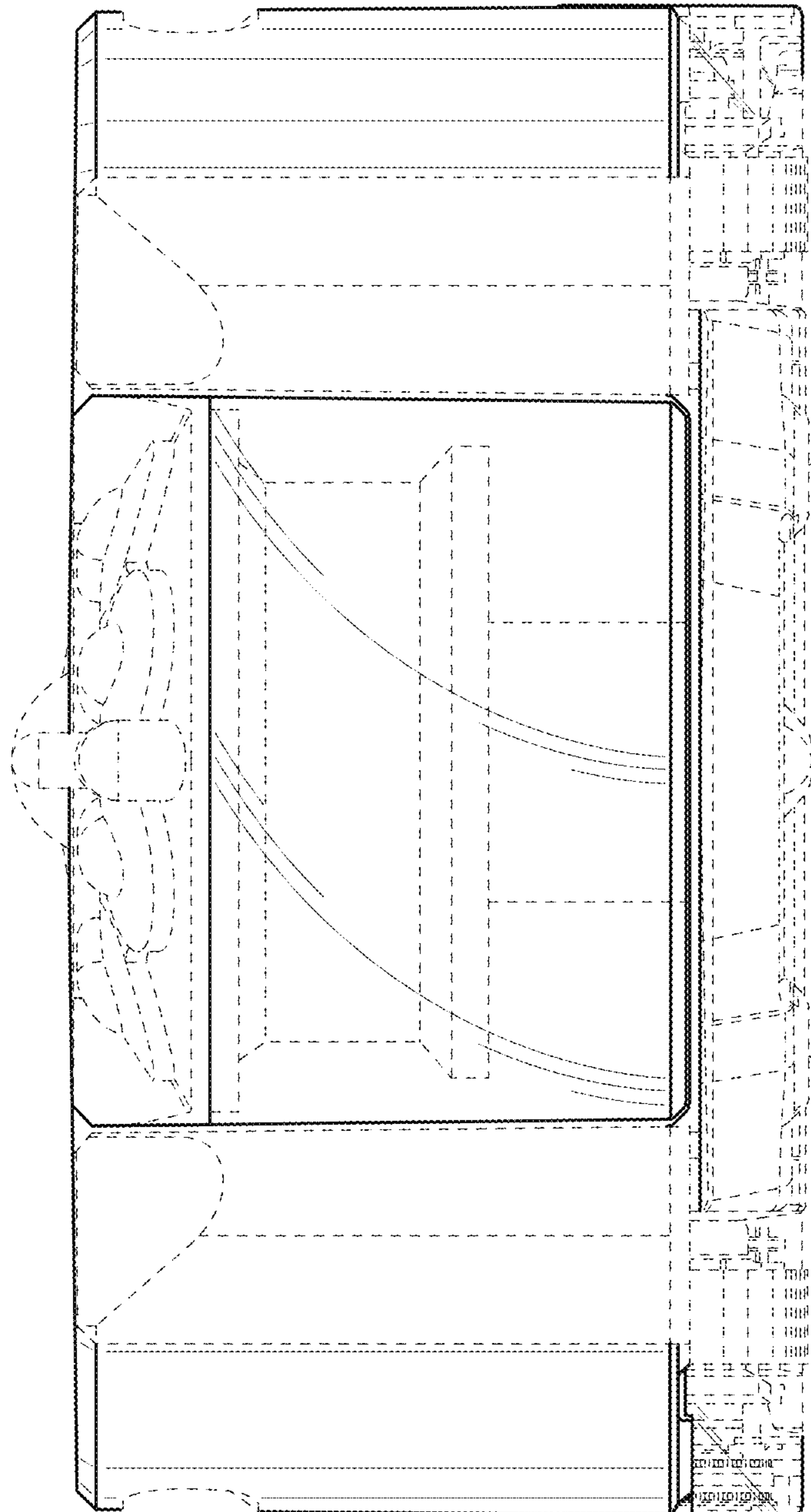


FIG. 2

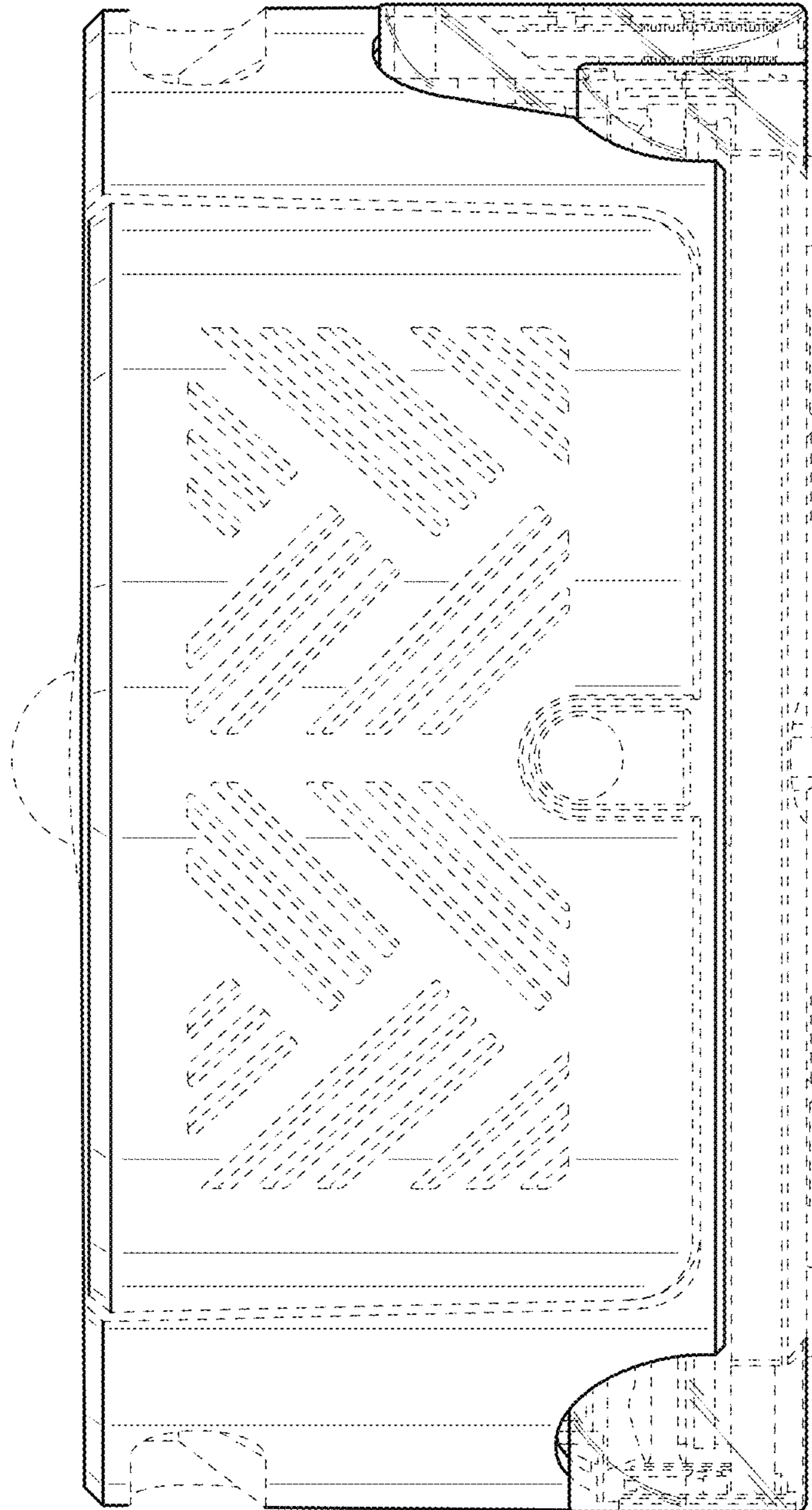


FIG. 3

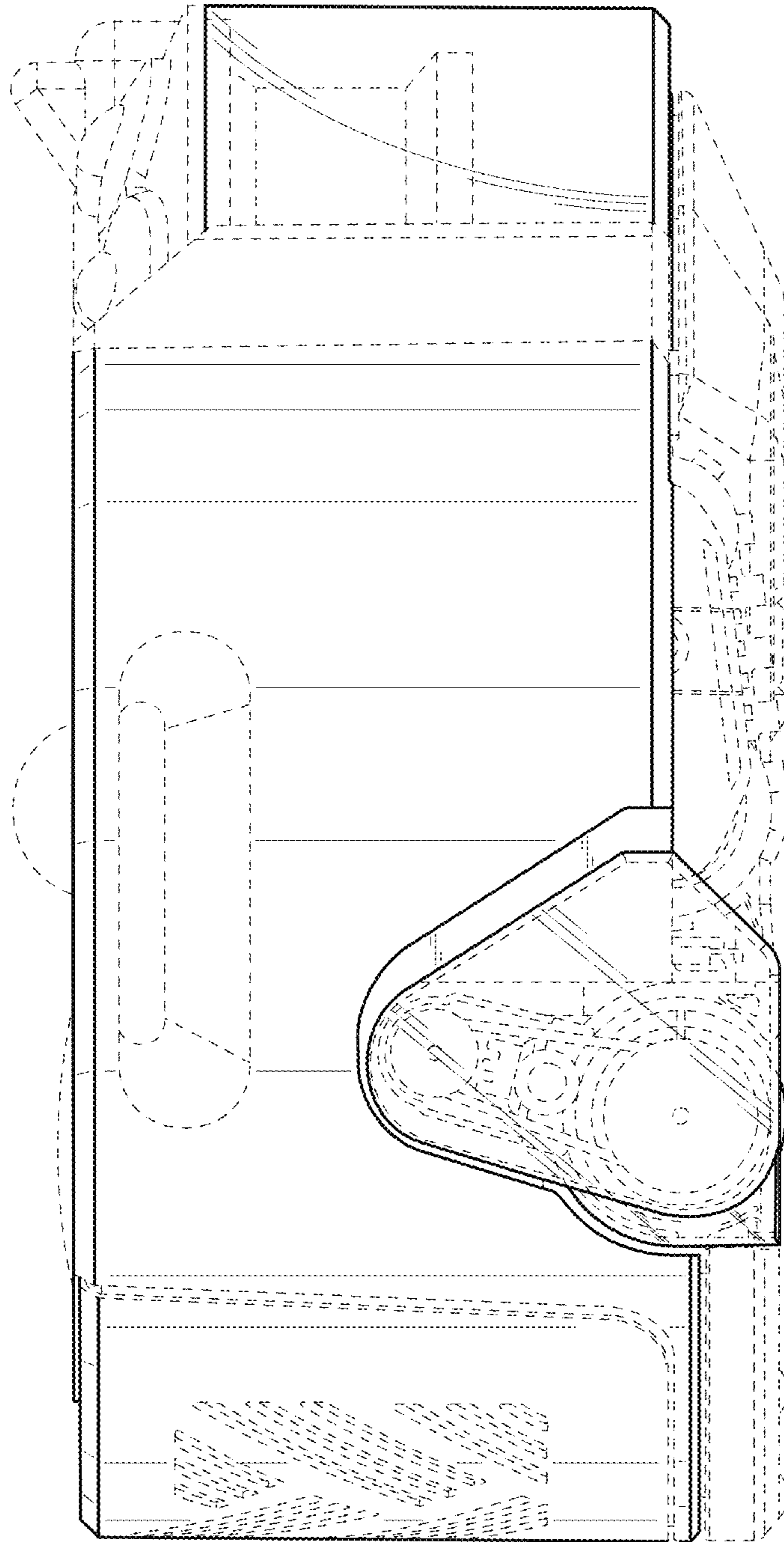


FIG. 4

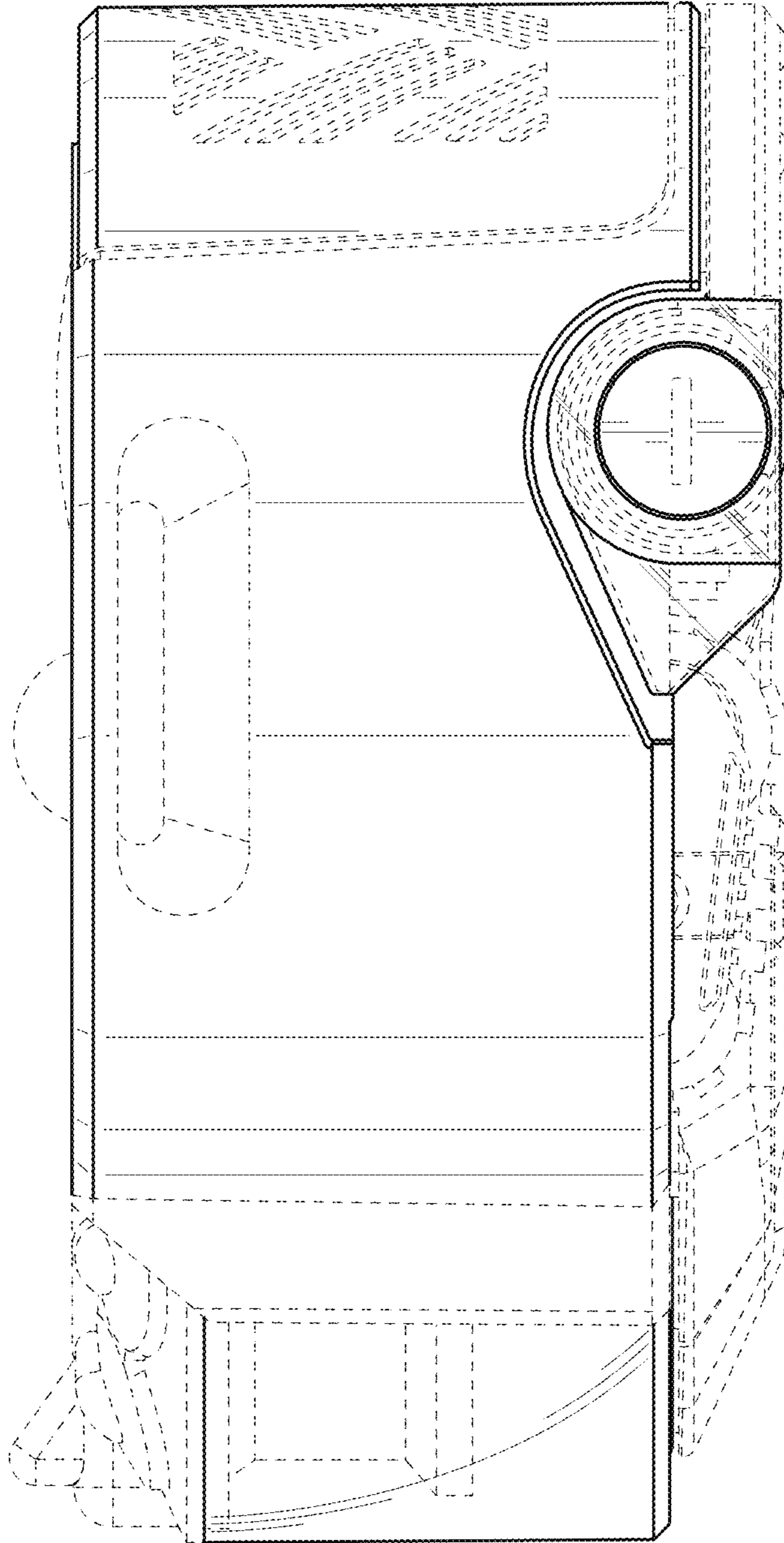


FIG. 5

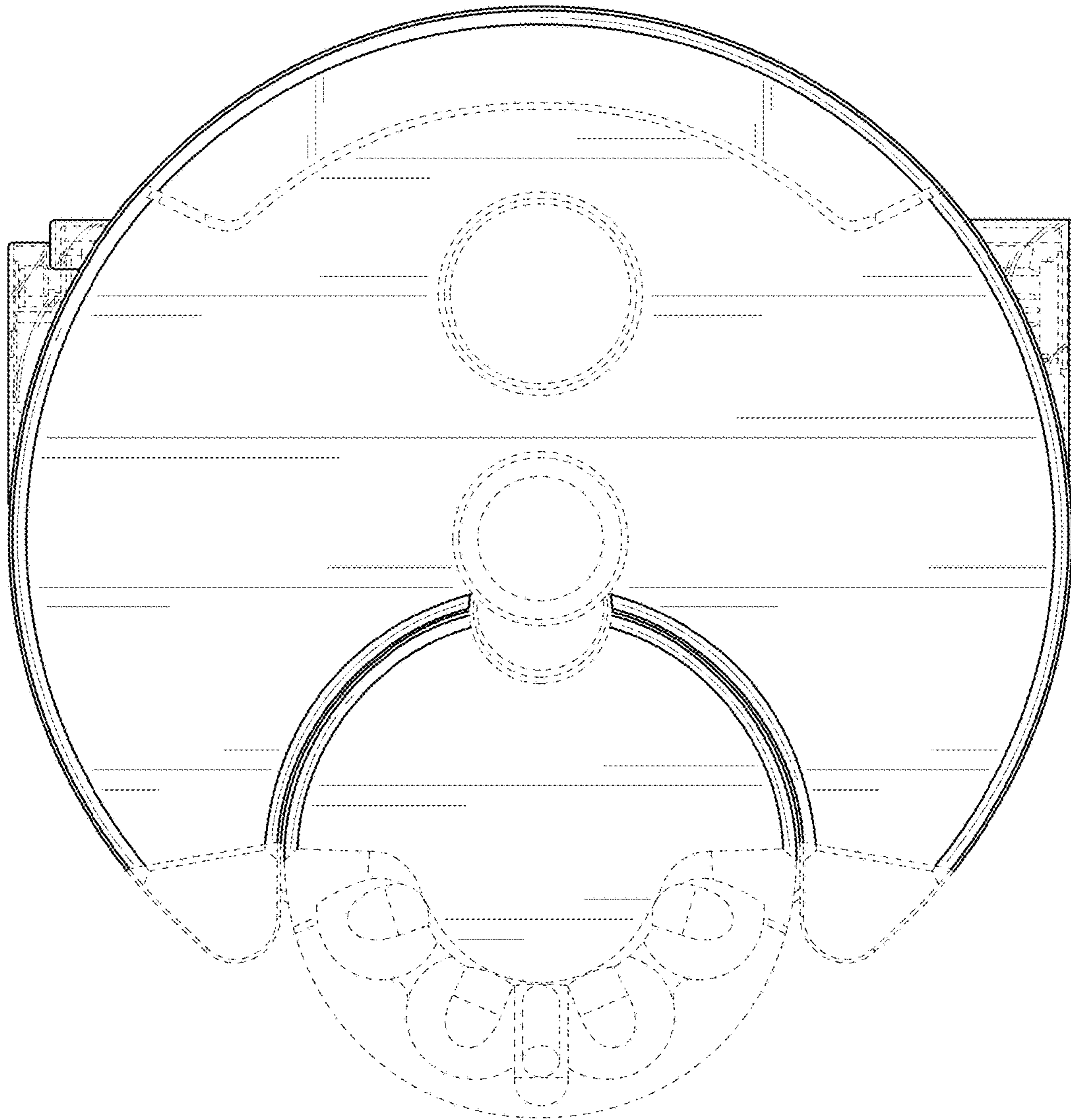


FIG. 6