



US00D779747S

(12) **United States Design Patent**  
**Vanderstegen-Drake et al.**

(10) **Patent No.:** **US D779,747 S**

(45) **Date of Patent:** **\*\* \*Feb. 21, 2017**

(54) **VACUUM CLEANER**

(71) Applicant: **Dyson Technology Limited**, Wiltshire (GB)

(72) Inventors: **Mark Stamford Vanderstegen-Drake**, Gloucester (GB); **Peter David Gammack**, Swindon (GB); **Jonathan George Marsh**, Swindon (GB); **Adam James Bates**, Oxford (GB)

(73) Assignee: **Dyson Technology Limited**, Malmesbury, Wiltshire (GB)

(\*) Notice: This patent is subject to a terminal disclaimer.

(\*\*) Term: **14 Years**

(21) Appl. No.: **29/519,093**

(22) Filed: **Mar. 2, 2015**

(30) **Foreign Application Priority Data**

Aug. 28, 2014 (EP) ..... 001419931-0002

(51) **LOC (10) Cl.** ..... **15-05**

(52) **U.S. Cl.**  
USPC ..... **D32/21**

(58) **Field of Classification Search**

USPC ..... D32/18, 21-24, 31

CPC ..... A47L 9/16; A47L 9/20; A47L 9/1683;

A47L 9/1666; A47L 9/1608; A47L

9/2857; A47L 9/2842; A47L

9/2836; A47L 9/2847; A47L

9/2852; A47L 5/28; A47L 7/0038; G06N

3/008; E04H 4/1654

See application file for complete search history.

(56) **References Cited**

**U.S. PATENT DOCUMENTS**

D527,854 S 9/2006 Marzynski

D548,411 S 8/2007 Schröter

D548,902 S 8/2007 Chun et al.  
D556,961 S 12/2007 Swyst et al.  
7,441,298 B2 10/2008 Svendsen et al.  
D586,959 S 2/2009 Geringer et al.  
D593,265 S 5/2009 Carr et al.  
D596,815 S 7/2009 Baek  
7,832,048 B2 11/2010 Harwig et al.  
D658,341 S 4/2012 Nam et al.  
D659,920 S 5/2012 Lee et al.  
D661,032 S 5/2012 Lee et al.  
D661,439 S 6/2012 Lee et al.  
D661,440 S 6/2012 Lee et al.

(Continued)

**OTHER PUBLICATIONS**

Vanderstegen-Drake et al., U.S. Office Action mailed Apr. 22, 2015, directed to U.S. Appl. No. 29/474,610; 6 pages.

(Continued)

*Primary Examiner* — Ruth McInroy

(74) *Attorney, Agent, or Firm* — Morrison & Foerster LLP

(57) **CLAIM**

We claim the ornamental design for a vacuum cleaner, as shown and described.

**DESCRIPTION**

FIG. 1 is a perspective view of a vacuum cleaner showing our new design;

FIG. 2 is a front view thereof;

FIG. 3 is a rear view thereof;

FIG. 4 is a side view thereof;

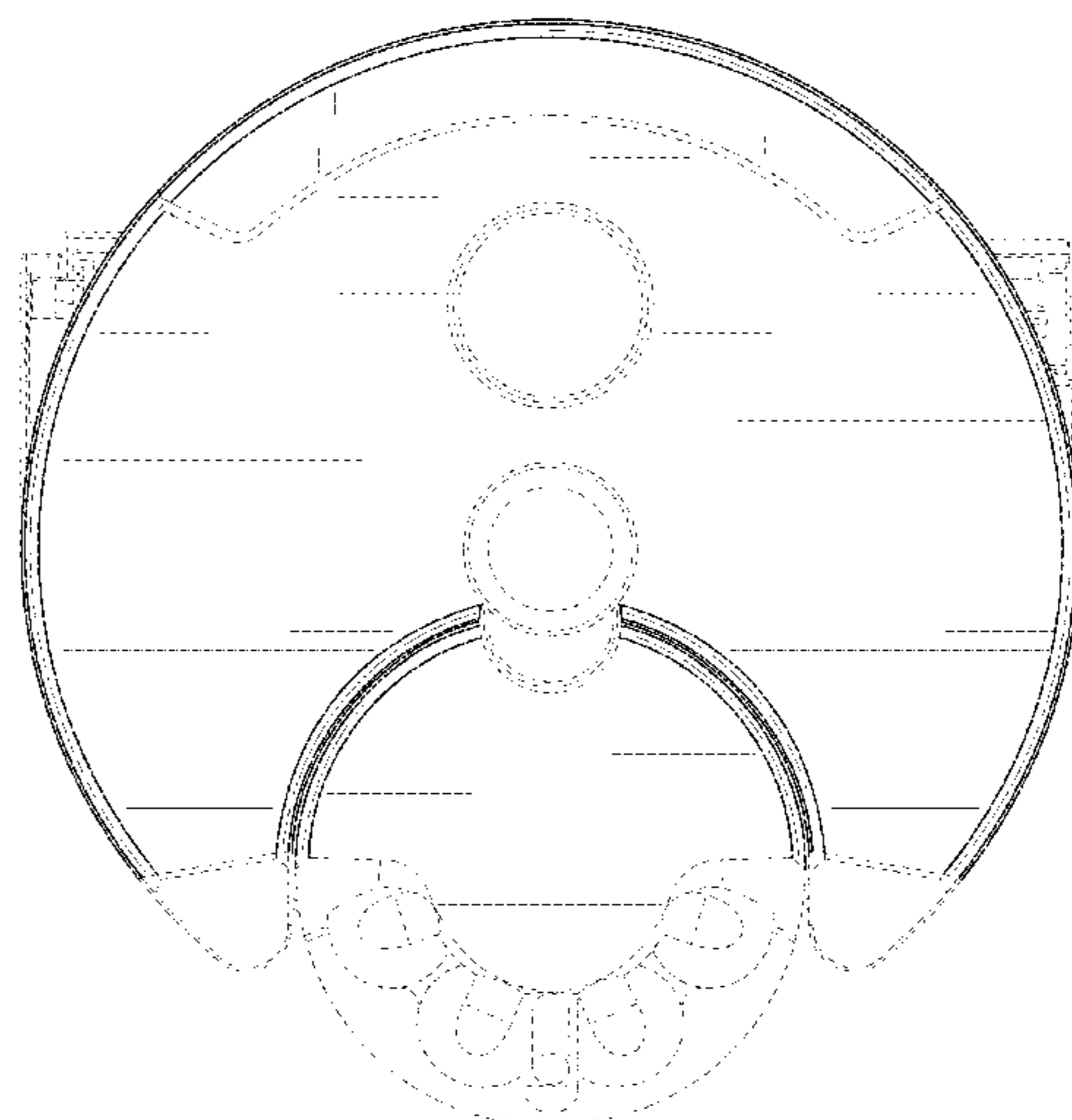
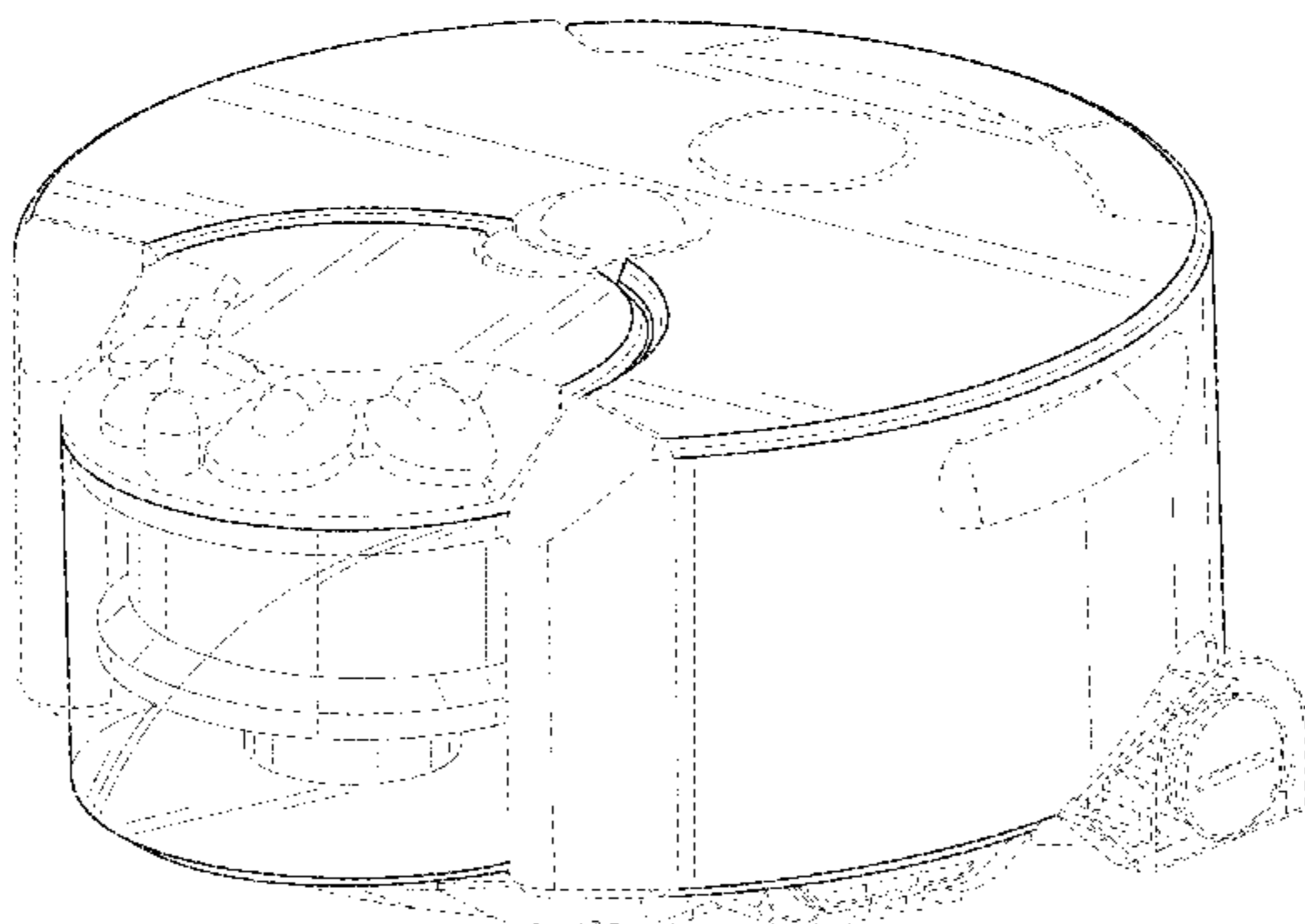
FIG. 5 is a side view of the opposite side of FIG. 4;

FIG. 6 is a top view thereof; and,

FIG. 7 is a bottom view thereof.

The details shown in broken lines form no part of the claimed design.

**1 Claim, 7 Drawing Sheets**



(56)

References Cited

OTHER PUBLICATIONS

U.S. PATENT DOCUMENTS

|              |      |         |                           |                       |
|--------------|------|---------|---------------------------|-----------------------|
| D665,547     | S    | 8/2012  | Nam et al.                |                       |
| D669,235     | S    | 10/2012 | Bassett et al.            |                       |
| D670,877     | S    | 11/2012 | Geringer et al.           |                       |
| 8,370,985    | B2   | 2/2013  | Schnittman et al.         |                       |
| 8,438,695    | B2   | 5/2013  | Gilbert, Jr. et al.       |                       |
| D690,478     | S    | 9/2013  | Li et al.                 |                       |
| D691,337     | S    | 10/2013 | Kim et al.                |                       |
| 8,584,307    | B2   | 11/2013 | Won et al.                |                       |
| 8,627,542    | B2   | 1/2014  | Kim et al.                |                       |
| D710,558     | S *  | 8/2014  | Mitchell .....            | D32/21                |
| D710,559     | S *  | 8/2014  | Mitchell .....            | D32/21                |
| D718,911     | S *  | 12/2014 | Vanderstegen-Drake .....  | D32/21                |
| D753,356     | S *  | 4/2016  | Vanderstegen-Drake .....  | D32/21                |
| 2006/0288519 | A1   | 12/2006 | Jaworski et al.           |                       |
| 2007/0266508 | A1   | 11/2007 | Jones et al.              |                       |
| 2011/0191976 | A1   | 8/2011  | Yan                       |                       |
| 2012/0023699 | A1   | 2/2012  | Shim et al.               |                       |
| 2012/0047676 | A1   | 3/2012  | Jung et al.               |                       |
| 2012/0084934 | A1   | 4/2012  | Li                        |                       |
| 2012/0317744 | A1   | 12/2012 | Gilbert, Jr. et al.       |                       |
| 2012/0317745 | A1   | 12/2012 | Jung et al.               |                       |
| 2013/0025085 | A1   | 1/2013  | Kim et al.                |                       |
| 2013/0061417 | A1   | 3/2013  | Vanderstegen-Drake et al. |                       |
| 2013/0086760 | A1   | 4/2013  | Han et al.                |                       |
| 2013/0152332 | A1   | 6/2013  | Jang                      |                       |
| 2013/0305484 | A1 * | 11/2013 | Dyson .....               | A47L 9/009<br>15/353  |
| 2013/0340201 | A1   | 12/2013 | Jang et al.               |                       |
| 2014/0312813 | A1   | 10/2014 | Murchie et al.            |                       |
| 2016/0058259 | A1 * | 3/2016  | Mitchell .....            | A47L 9/1633<br>15/353 |

Vanderstegen-Drake et al., U.S. Office Action mailed Jan. 27, 2014, directed to U.S. Appl. No. 29/450,789; 8 pages.

Vanderstegen-Drake et al., U.S. Office Action mailed Jun. 27, 2014, directed to U.S. Appl. No. 29/450,789; 7 pages.

Mitchell et al, U.S. Office Action mailed Jan. 27, 2014, directed to U.S. Appl. No. 29/450,791; 8 pages.

Mitchell et al, U.S. Office Action mailed Jan. 24, 2014, directed to U.S. Appl. No. 29/450,792; 9 pages.

Vanderstegen-Drake et al., U.S. Office Action mailed Aug. 12, 2015, directed to U.S. Appl. No. 29/474,610; 10 pages.

Gammack et al., U.S. Office Action mailed May 3, 2016, directed to U.S. Appl. No. 29/519,102; 7 pages.

Mitchell et al., U.S. Office Action mailed May 20, 2016, directed to U.S. Appl. No. 29/519,094; 10 pages.

Mitchell et al., U.S. Office Action mailed May 3, 2016, directed to U.S. Appl. No. 29/519,095; 6 pages.

Vanderstegen-Drake et al., U.S. Office Action mailed May 3, 2016, directed to U.S. Appl. No. 29/519,097; 6 pages.

Vanderstegen-Drake et al., U.S. Office Action mailed May 20, 2016, directed to U.S. Appl. No. 29/519,116; 6 pages.

Vanderstegen-Drake et al., U.S. Office Action mailed May 3, 2016, directed to U.S. Appl. No. 29/519,118; 5 pages.

Vanderstegen-Drake et al., U.S. Office Action mailed May 31, 2016, directed to U.S. Appl. No. 29/555,300; 9 pages.

\* cited by examiner

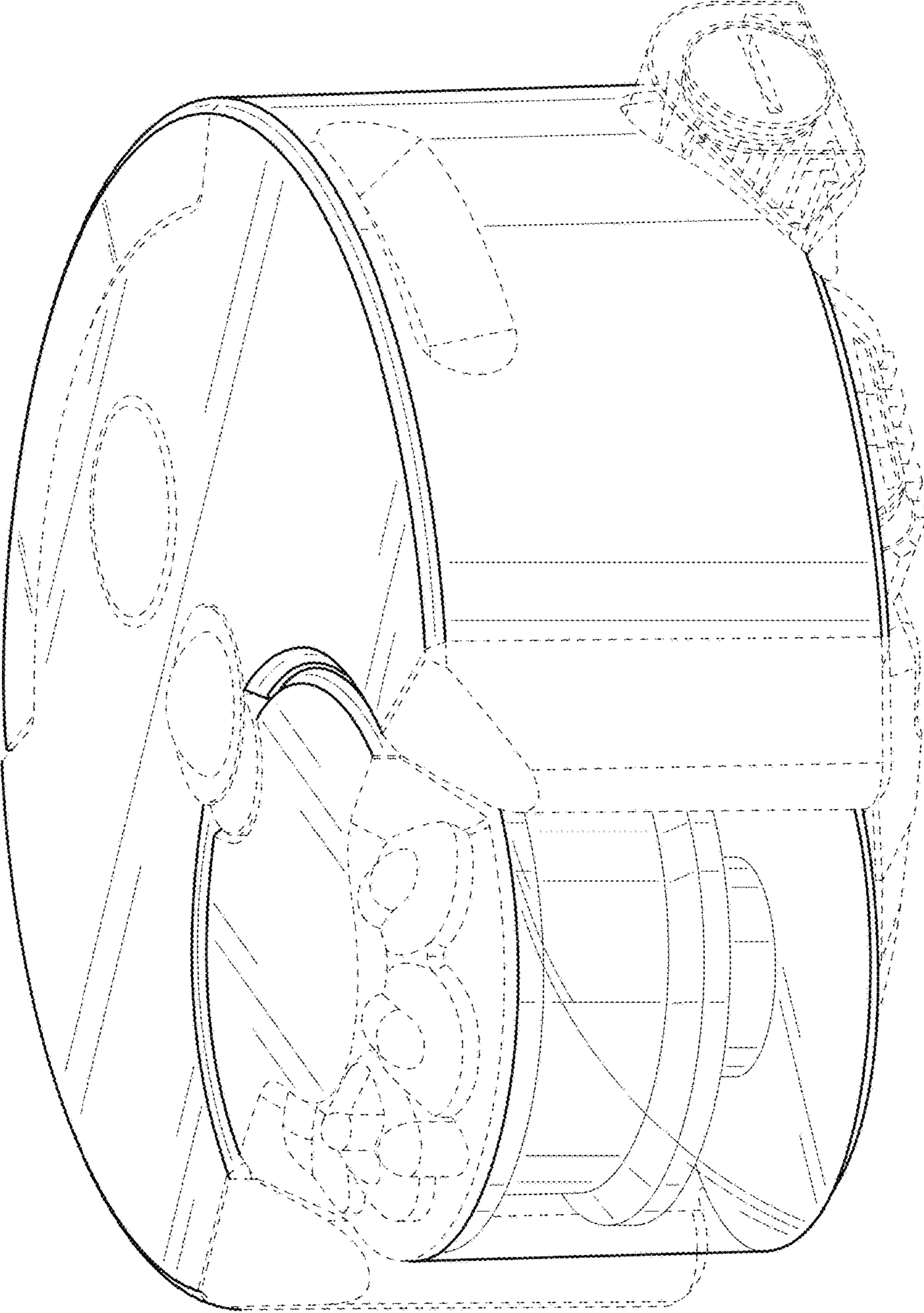


FIG. 1



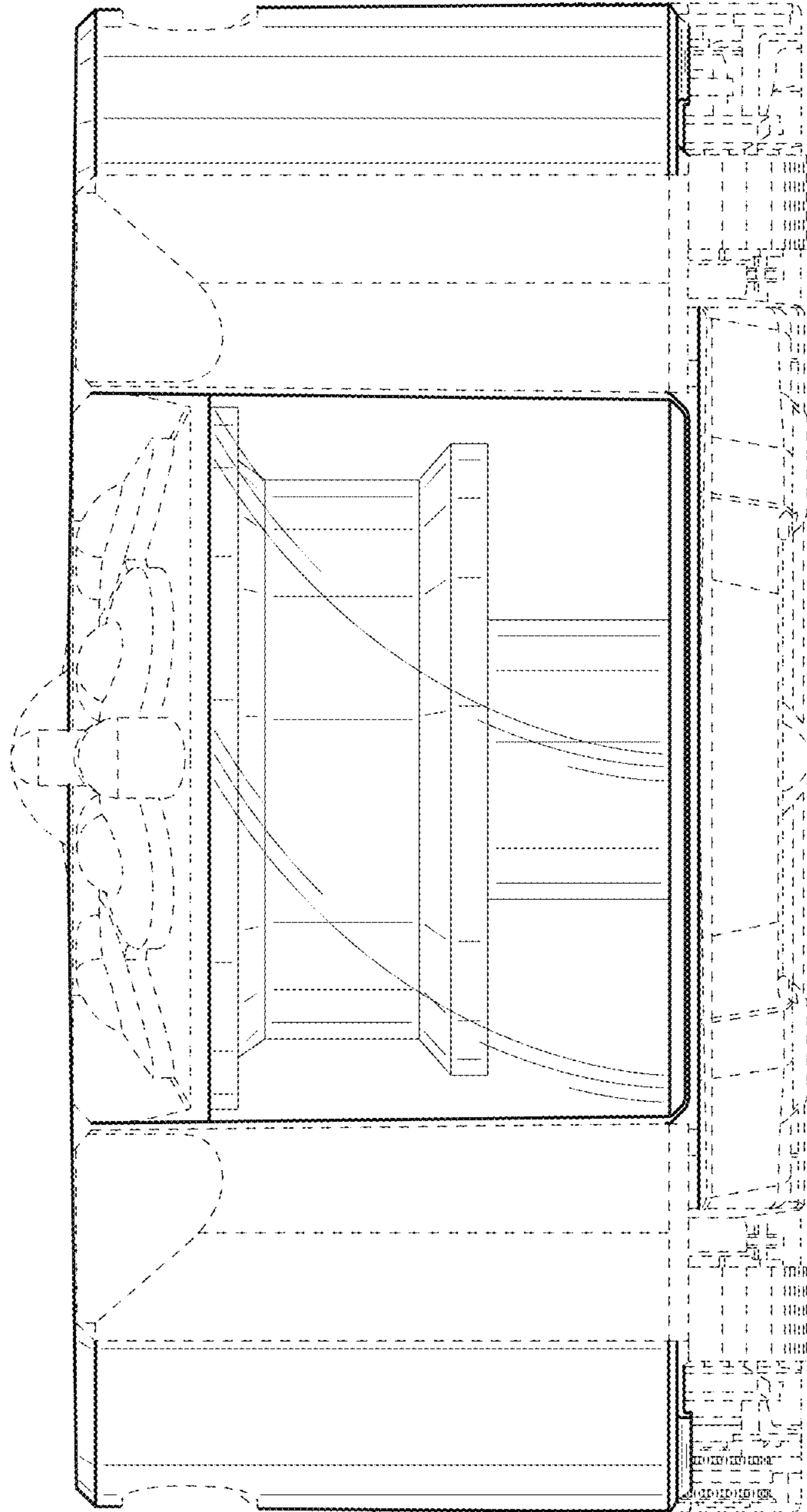


FIG. 2

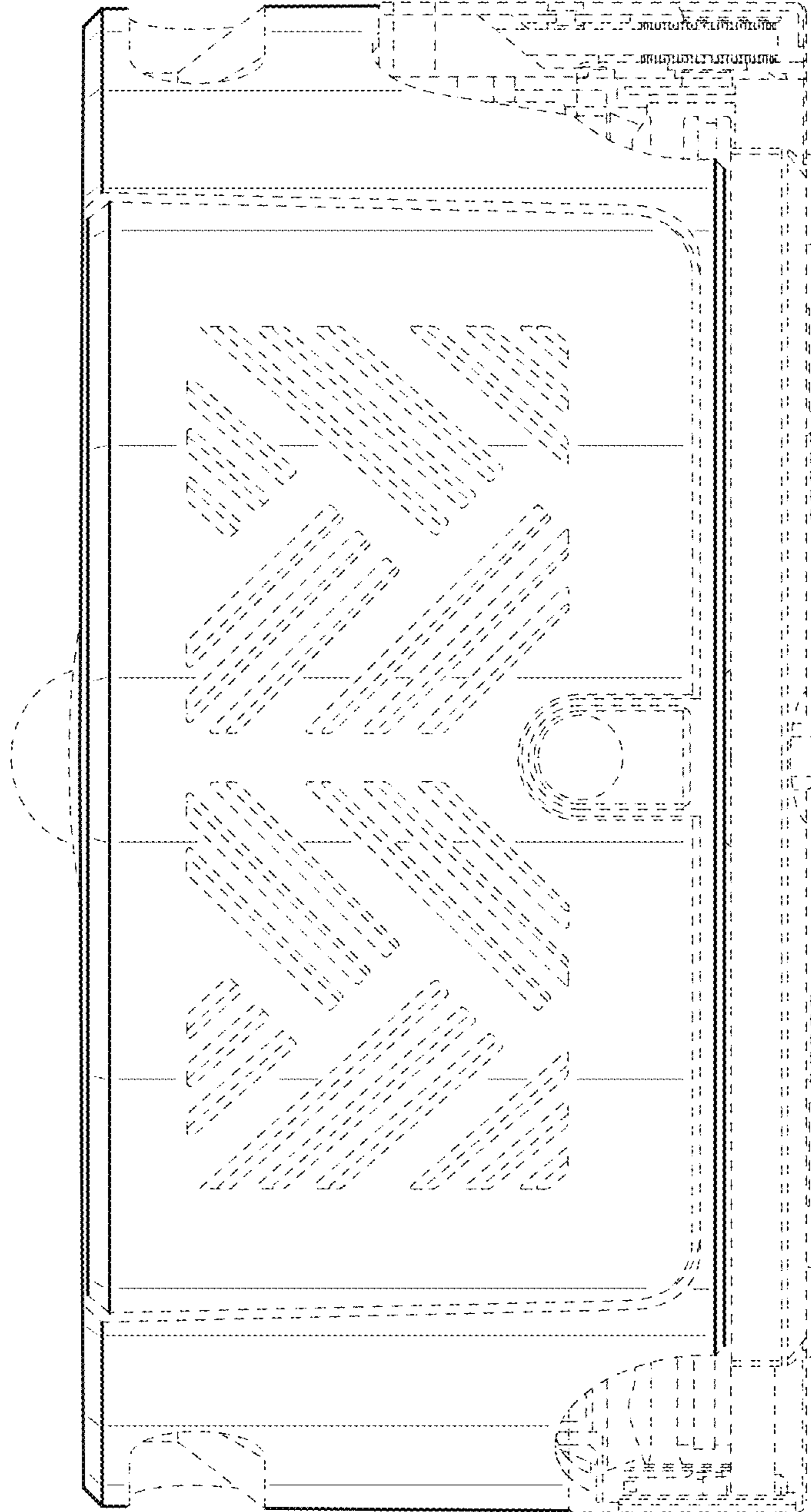


FIG. 3

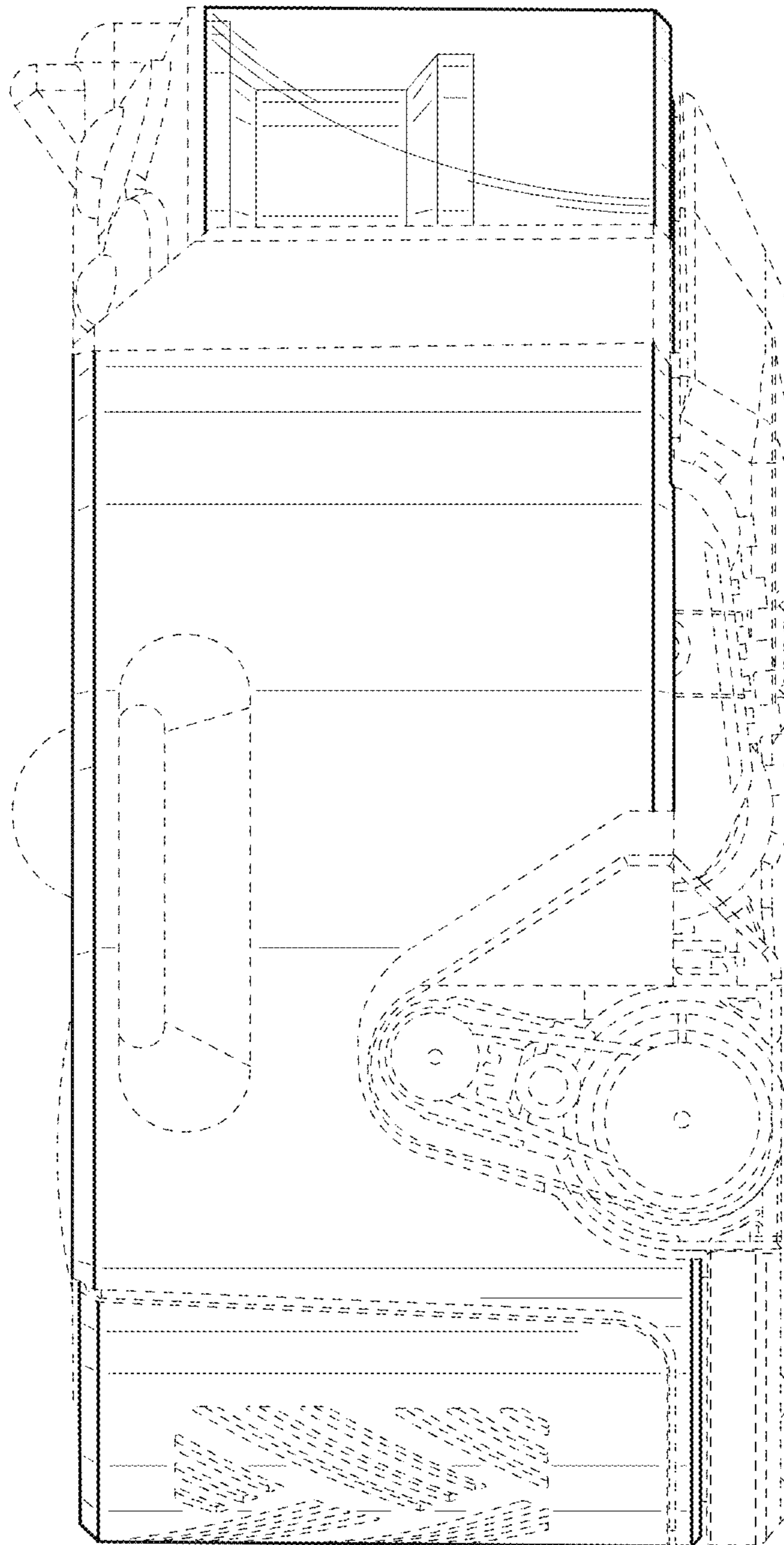


FIG. 4

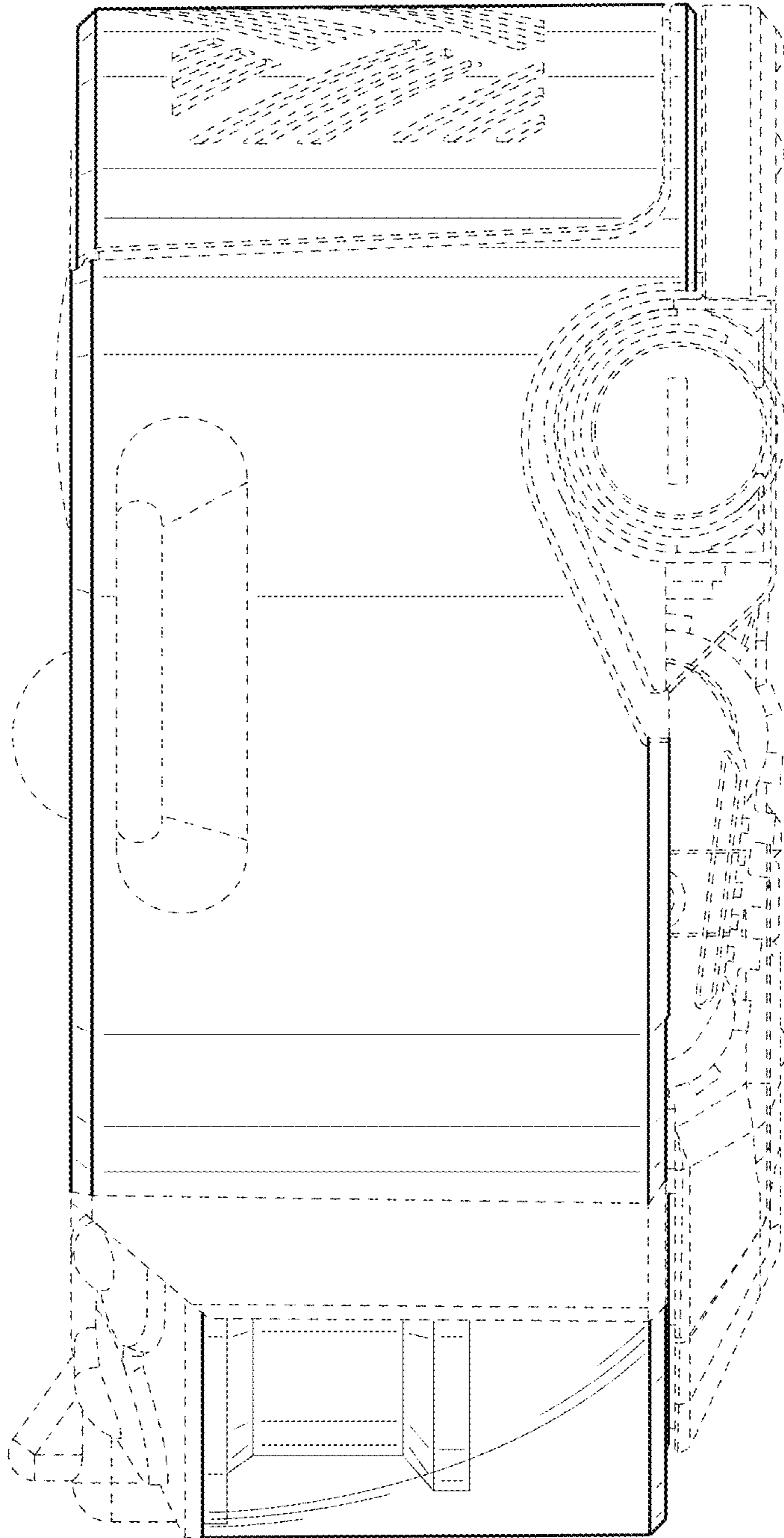


FIG. 5

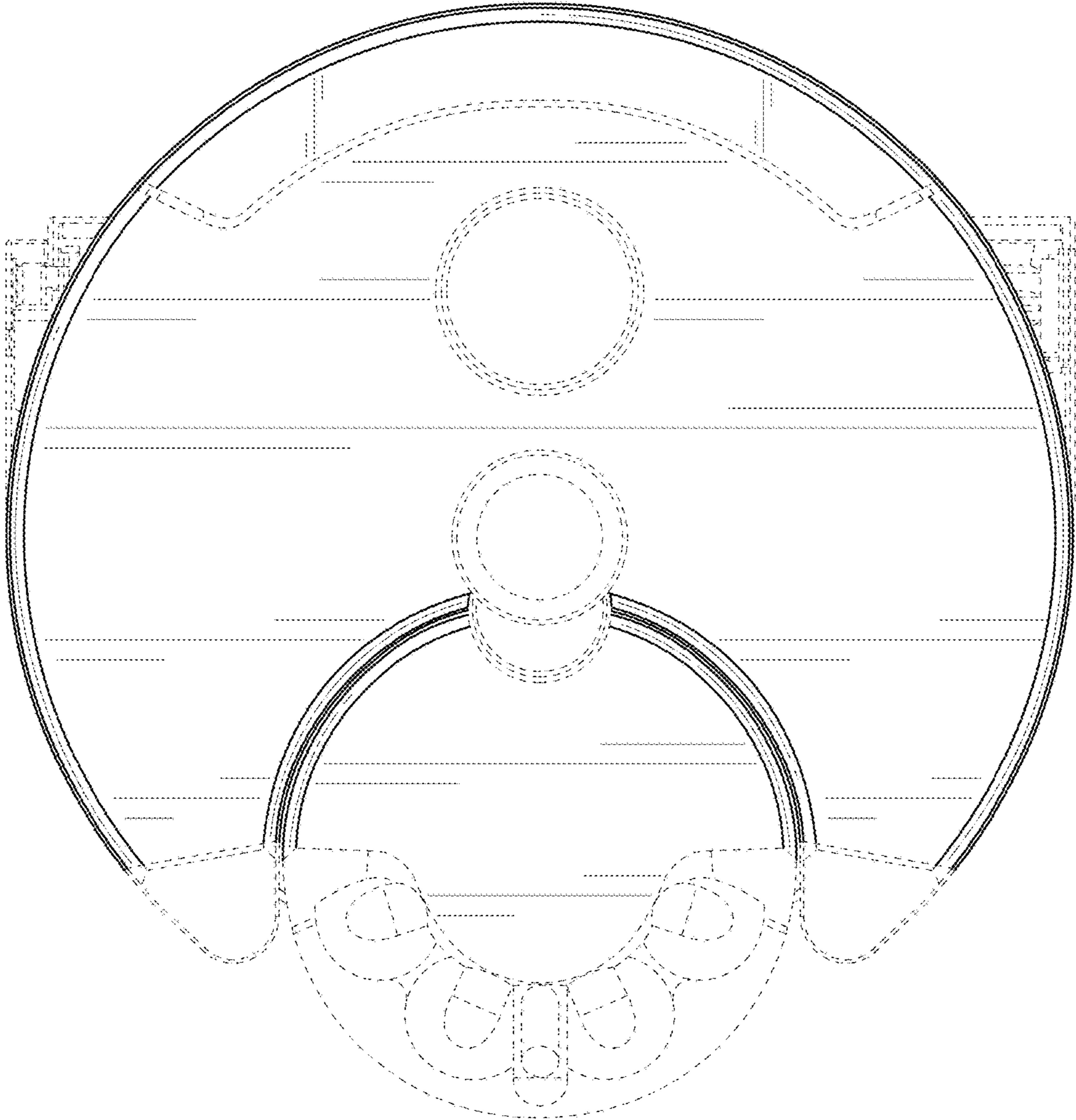


FIG. 6



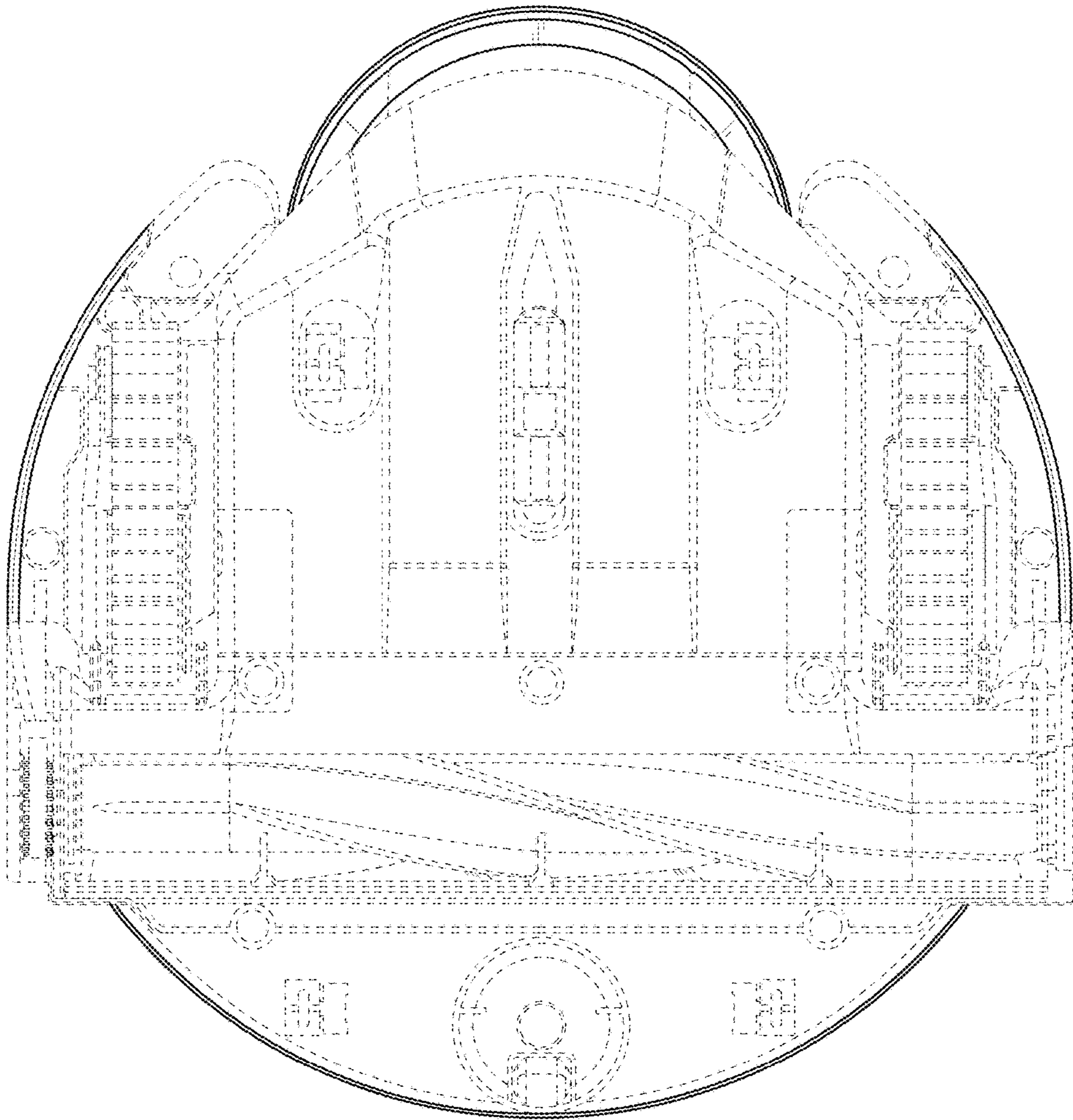


FIG. 7