



US00D779746S

(12) **United States Design Patent**
Weinberg et al.

(10) **Patent No.:** **US D779,746 S**
(45) **Date of Patent:** **** Feb. 21, 2017**

(54) **GAS POWERED PRESSURE WASHER**

(71) Applicant: **Andreas Stihl AG & Co. KG,**
Waiblingen (DE)

(72) Inventors: **Andreas Weinberg,** Stuttgart (DE);
Martin Ruf, Tübingen (DE)

(73) Assignee: **Andreas Stihl AG & Co. KG,**
Waiblingen (DE)

(**) Term: **15 Years**

(21) Appl. No.: **29/533,343**

(22) Filed: **Jul. 16, 2015**

(51) **LOC (10) Cl.** **15-05**

(52) **U.S. Cl.**
USPC **D32/16**

(58) **Field of Classification Search**
USPC D32/1, 4, 15-18, 21; D23/223, 225, 226
CPC B05B 7/32; B05B 7/0876; B05B 1/12;
B05B 7/005; B05B 1/1654; B08B 3/026;
F04F 5/00; F04B 17/05
See application file for complete search history.

(56) **References Cited**

U.S. PATENT DOCUMENTS

D375,590 S *	11/1996	Steinhart	D32/15
5,902,094 A *	5/1999	Hoenisch	B08B 3/026 137/540
D532,942 S *	11/2006	Busschaert	D32/15
7,516,910 B1 *	4/2009	DeWall	B05B 9/01 239/525
D702,900 S *	4/2014	Kahan	D32/16
D732,764 S *	6/2015	Kennard	D32/15
D733,373 S *	6/2015	Kahan	D32/16
D749,805 S *	2/2016	Janik	D32/16
2002/0122730 A1 *	9/2002	Dexter	B08B 3/026 417/299
2006/0102745 A1 *	5/2006	Dexter	B05B 9/0855 239/146

2006/0118498 A1 *	6/2006	Gilpatrick	B08B 3/026 211/70.6
2006/0131151 A1 *	6/2006	Marchand	B05B 9/01 200/336
2006/0196967 A1 *	9/2006	Monty	B05B 1/00 239/73
2008/0245899 A1 *	10/2008	Parris	F04B 17/05 239/526
2010/0282862 A1 *	11/2010	Gilpatrick	B08B 3/026 239/88

(Continued)

Primary Examiner — Michael A. Pratt
Assistant Examiner — Michelle E Wilson

(74) *Attorney, Agent, or Firm* — McGuireWoods LLP

(57) **CLAIM**

We claim the ornamental design for a gas powered pressure washer, as shown and described.

DESCRIPTION

FIG. 1 is a left perspective view of the gas powered pressure washer;

FIG. 2 is a rear view of the gas powered pressure washer shown in FIG. 1;

FIG. 3 is a front view of the gas powered pressure washer shown in FIG. 1;

FIG. 4 is a right side view of the gas powered pressure washer shown in FIG. 1;

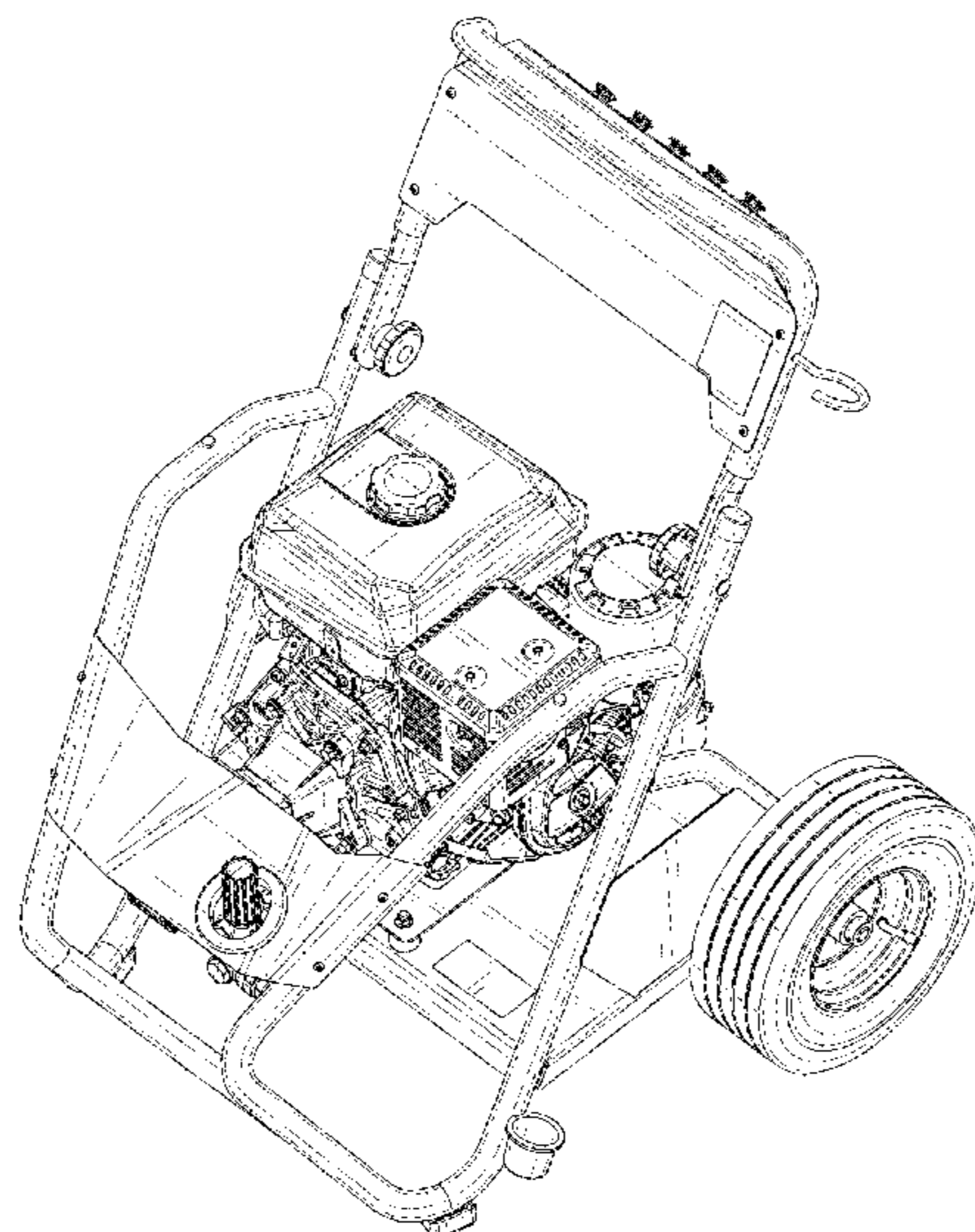
FIG. 5 is a left side view of the gas powered pressure washer shown in FIG. 1;

FIG. 6 is a top view of the gas powered pressure washer shown in FIG. 1; and,

FIG. 7 is a bottom view of the gas powered pressure washer shown in FIG. 1.

The subject matter shown in dashed lines, and any surfaces of the design not shown, including interior surfaces, form no part of the claimed invention.

1 Claim, 7 Drawing Sheets



(56)

References Cited

U.S. PATENT DOCUMENTS

2011/0081261 A1* 4/2011 Klika B08B 3/026
417/364
2011/0171045 A1* 7/2011 Gilpatrick F04B 9/042
417/273
2011/0315176 A1* 12/2011 Gilpatrick B08B 3/026
134/57 R
2012/0018534 A1* 1/2012 Gilpatrick B05B 7/0876
239/310
2014/0037467 A1* 2/2014 Raasch F04F 5/00
417/76
2014/0119949 A1* 5/2014 Wischstadt F04B 17/05
417/34
2014/0251390 A1* 9/2014 Khan B08B 3/026
134/99.2
2014/0252138 A1* 9/2014 Wischstadt B05B 1/12
239/589
2014/0263710 A1* 9/2014 Khan B05B 7/005
239/11
2014/0263751 A1* 9/2014 Zernicke B05B 7/005
239/418
2014/0263754 A1* 9/2014 Nushart B05B 1/1654
239/442
2015/0102121 A1* 4/2015 Dey B05B 7/32
239/1
2015/0306614 A1* 10/2015 Pierce B05B 9/007
137/12
2016/0067726 A1* 3/2016 Gilpatrick B05B 9/007
239/526

* cited by examiner

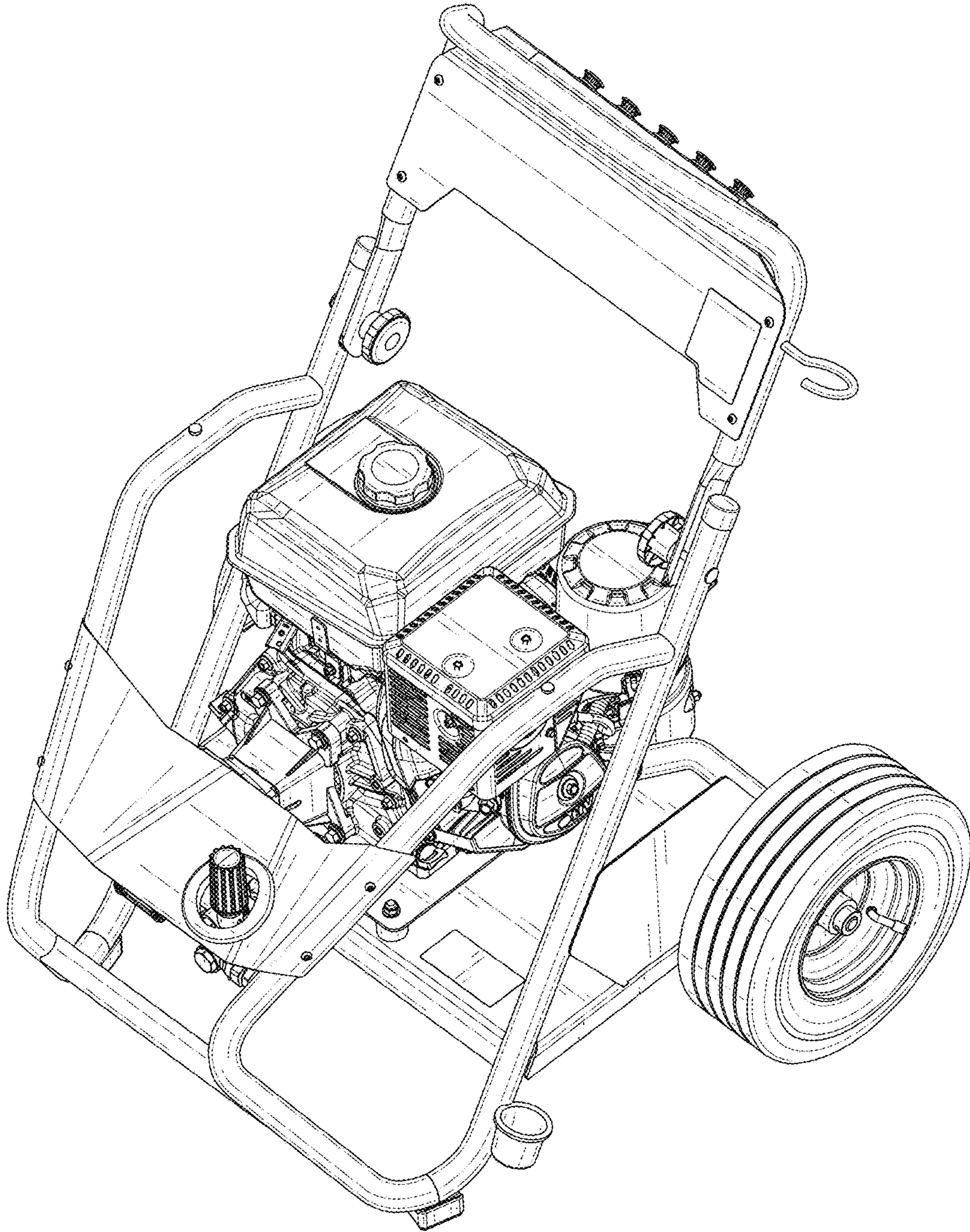


FIG. 1

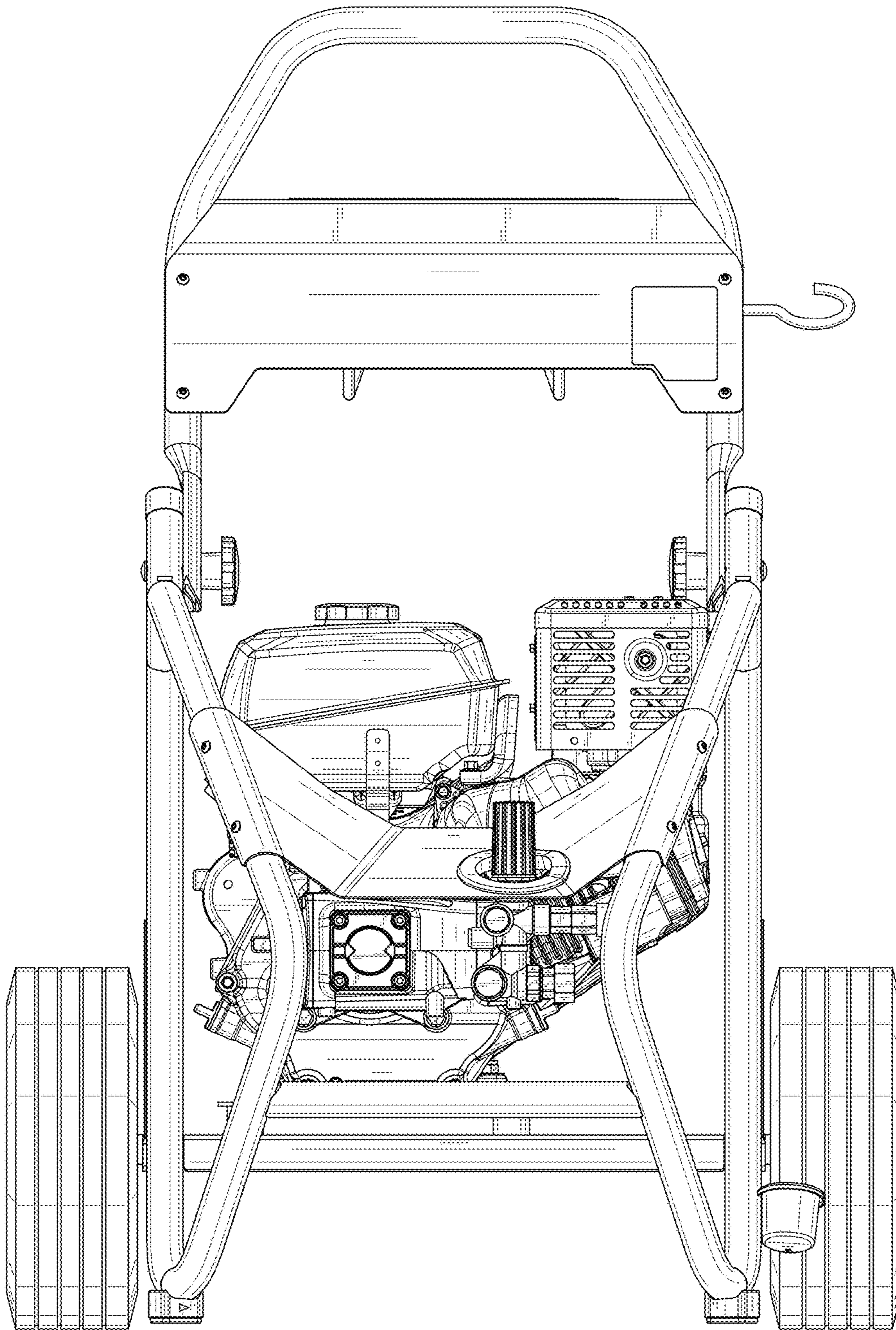


FIG. 2

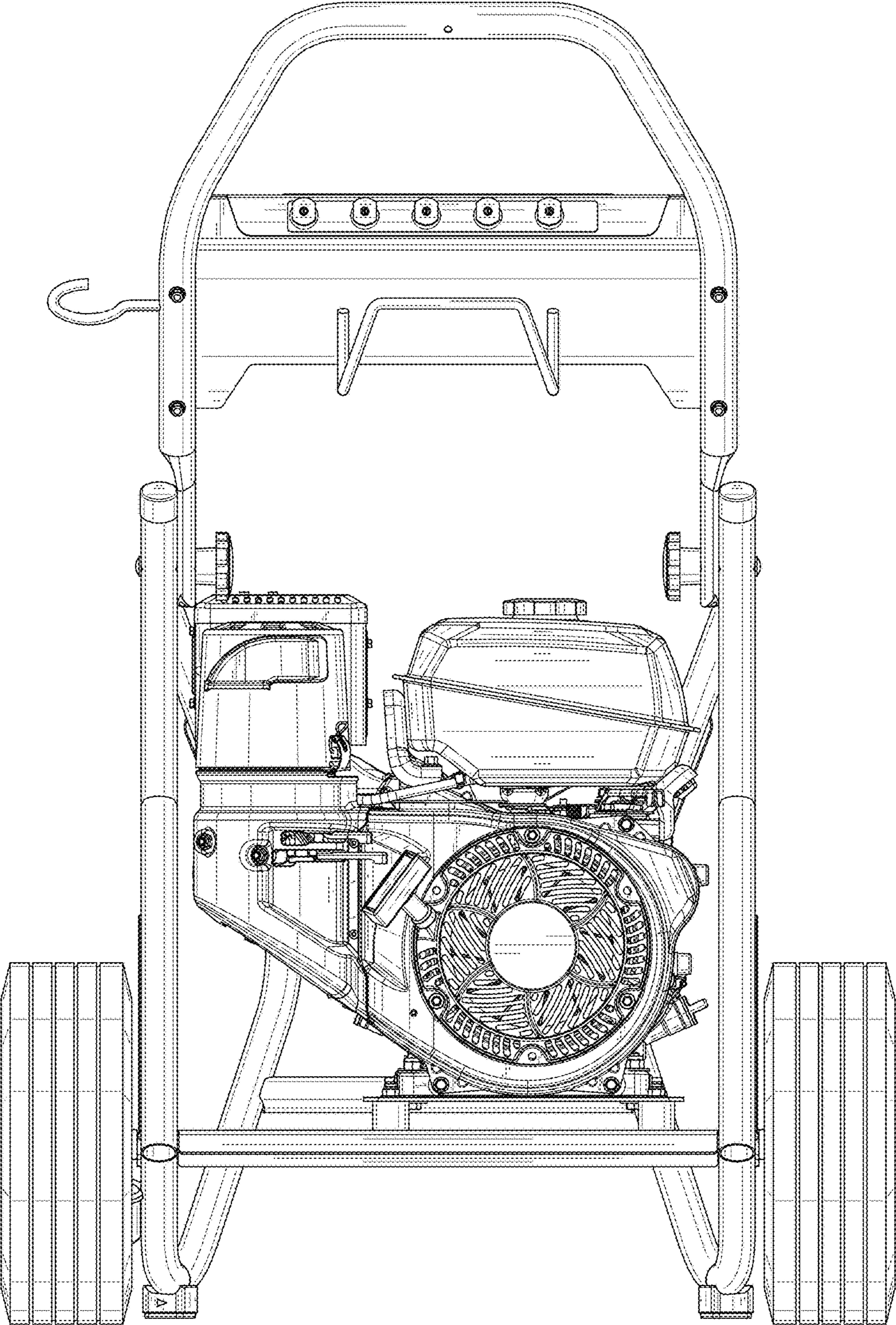


FIG. 3

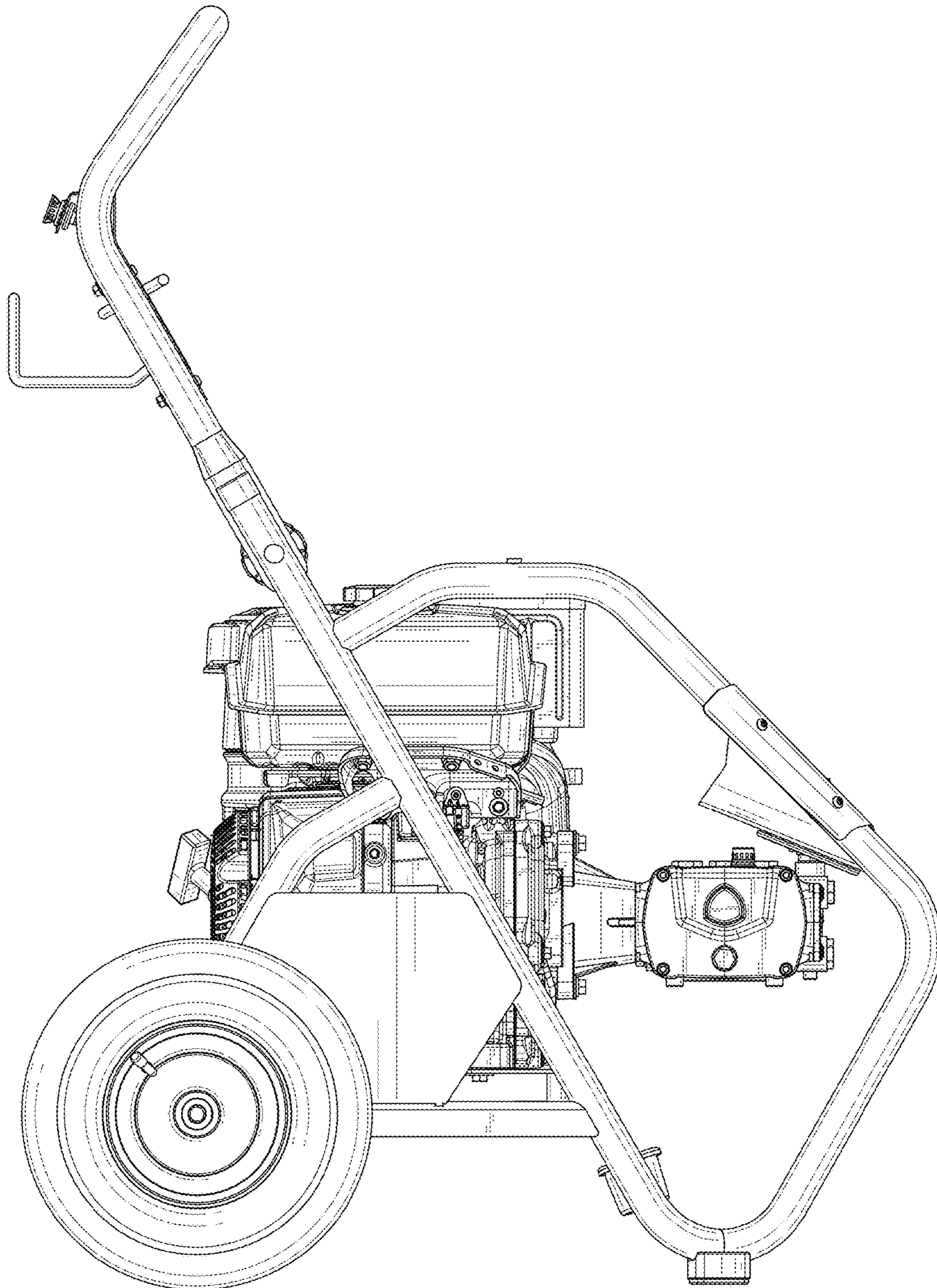


FIG. 4

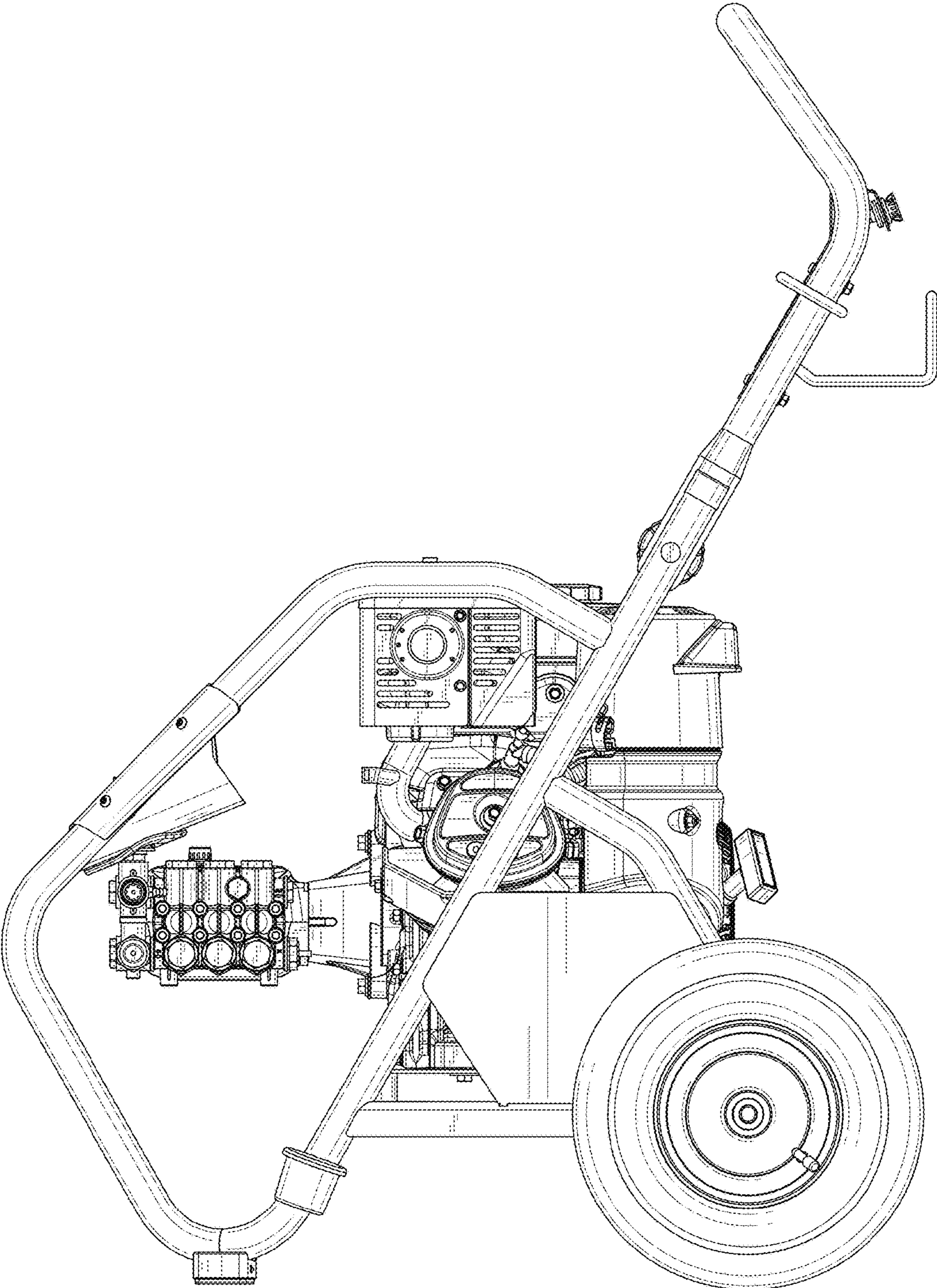


FIG. 5

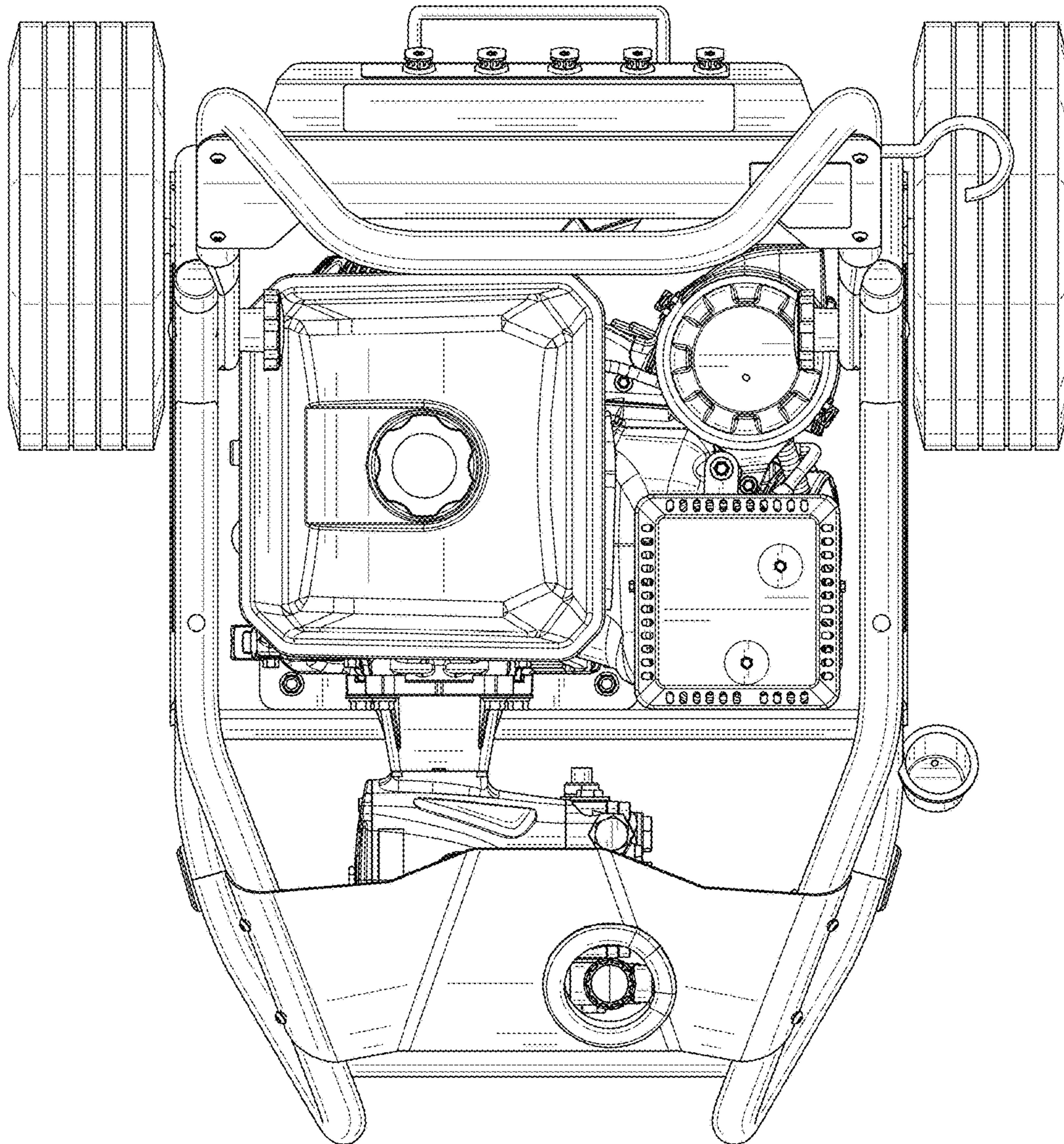


FIG. 6

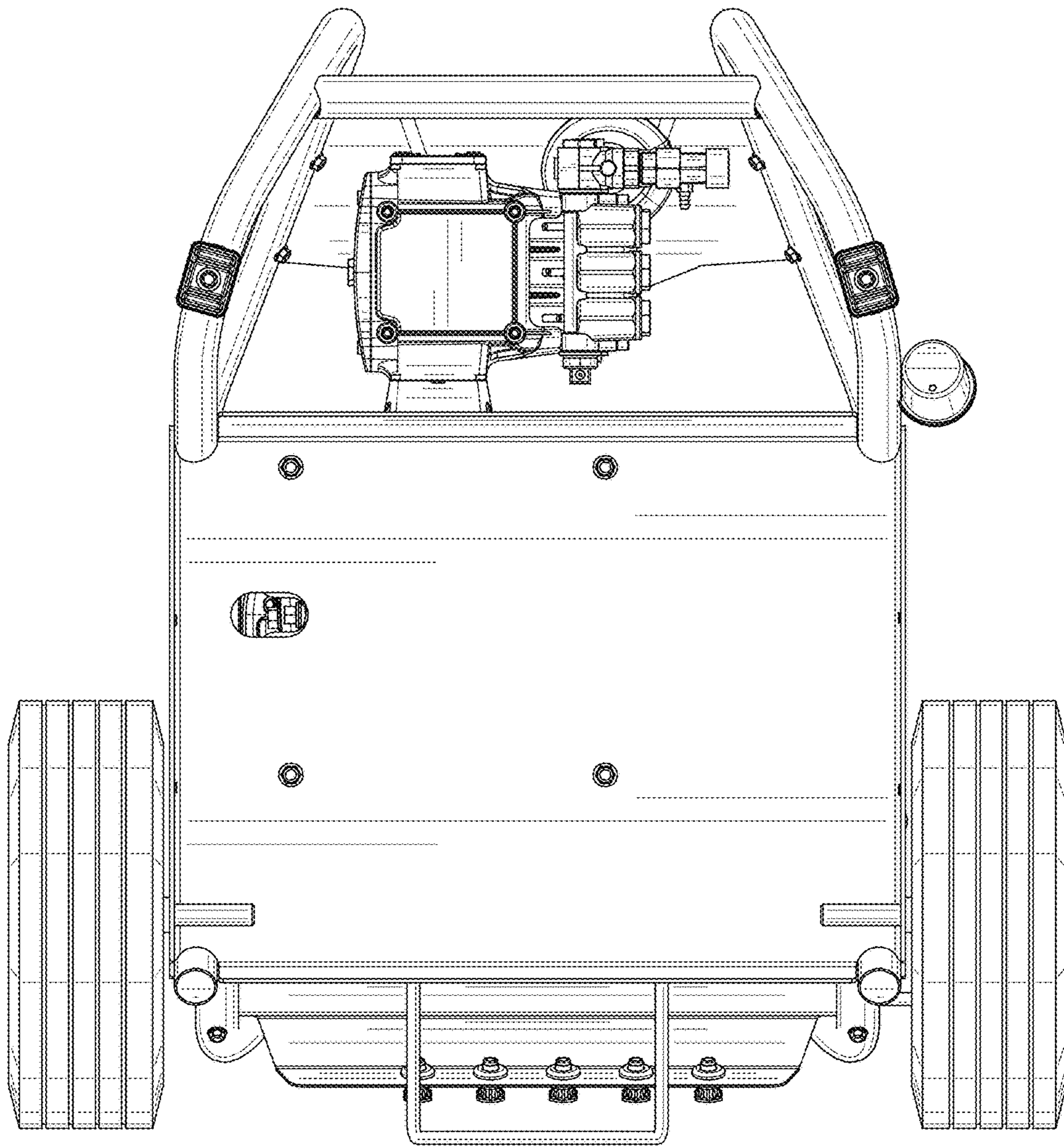


FIG. 7