



US00D779743S

(12) **United States Design Patent**
Welsh

(10) **Patent No.:** **US D779,743 S**

(45) **Date of Patent:** **** Feb. 21, 2017**

(54) **HELMET RETAINING STRAP FOR A MOUTH GUARD**

(71) Applicant: **Jeffery C. Welsh**, Lakewood, OH (US)

(72) Inventor: **Jeffery C. Welsh**, Lakewood, OH (US)

(**) Term: **15 Years**

(21) Appl. No.: **29/542,290**

(22) Filed: **Oct. 13, 2015**

(51) **LOC (10) Cl.** **29-02**

(52) **U.S. Cl.**
USPC **D29/122**

(58) **Field of Classification Search**
USPC D29/100, 102, 105, 106, 108, 122
CPC A41D 13/00; A41D 13/05; A41D 13/1161;
A42B 3/04; A42B 3/0406; A42B 3/08; A42B 3/085; A42B 3/14; A42B 3/142; A42B 3/145; A42B 3/147; A42B 3/18; A42B 3/185; A42B 3/042; A42B 1/24

See application file for complete search history.

(56) **References Cited**

U.S. PATENT DOCUMENTS

- 3,058,462 A * 10/1962 Greenblum A63B 71/085 128/861
- 3,203,417 A * 8/1965 Helmer A63B 71/085 128/857

- 3,407,809 A * 10/1968 Ross A63B 71/085 128/861
- 3,448,738 A * 6/1969 Berghash A63B 71/085 128/861
- 3,485,242 A * 12/1969 Greenberg A63B 71/085 128/862
- D262,326 S * 12/1981 Lonnstedt D29/122
- D356,188 S * 3/1995 Kittelsen D29/122
- D500,898 S * 1/2005 Herman D29/122
- 8,074,658 B2 * 12/2011 Kittelsen A63B 71/085 128/846
- D721,457 S * 1/2015 Milea D29/122

* cited by examiner

Primary Examiner — Elizabeth J Oswecki

(74) *Attorney, Agent, or Firm* — Fay Sharpe LLP

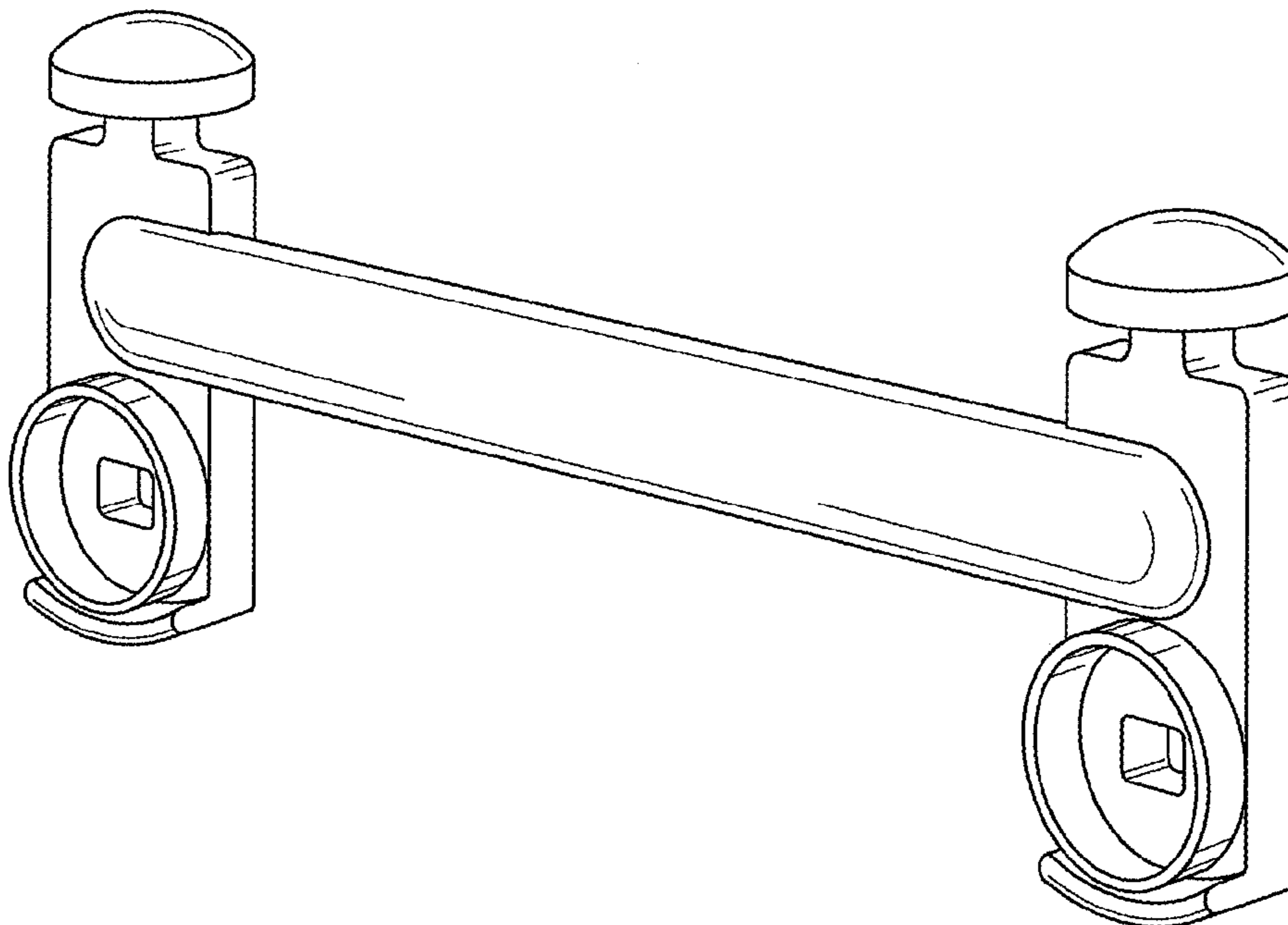
(57) **CLAIM**

The ornamental design for a helmet retaining strap for a mouth guard, as shown and described.

DESCRIPTION

FIG. 1 is a perspective view of a helmet retaining strap for a mouth guard showing my new design; FIG. 2 is a front elevation view thereof; FIG. 3 is a top plan view thereof; FIG. 4 is a bottom plan view thereof; FIG. 5 is a rear elevation view thereof; and, FIG. 6 is a side elevation view thereof. All surfaces not shown form no part of the claimed design.

1 Claim, 2 Drawing Sheets



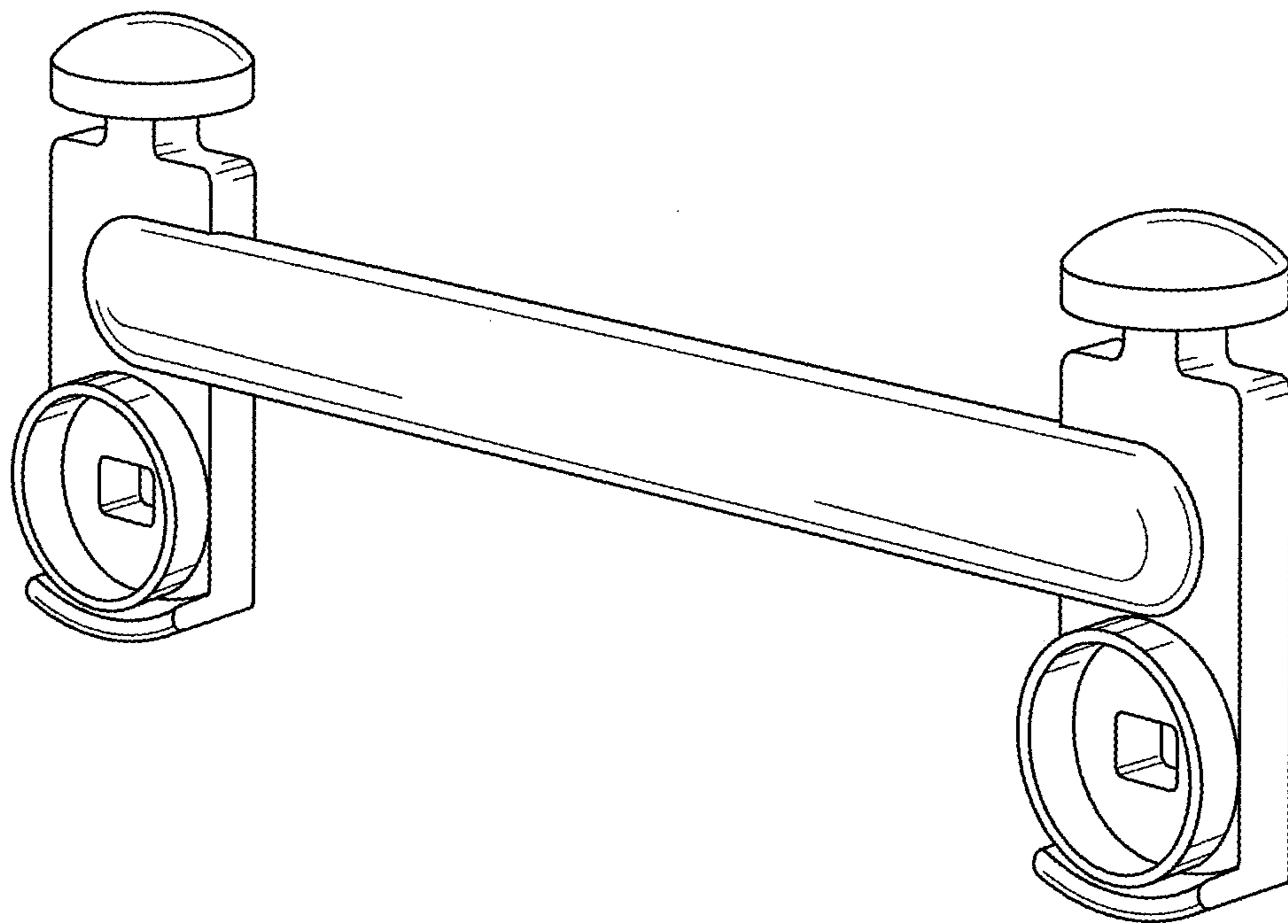


FIG. 1

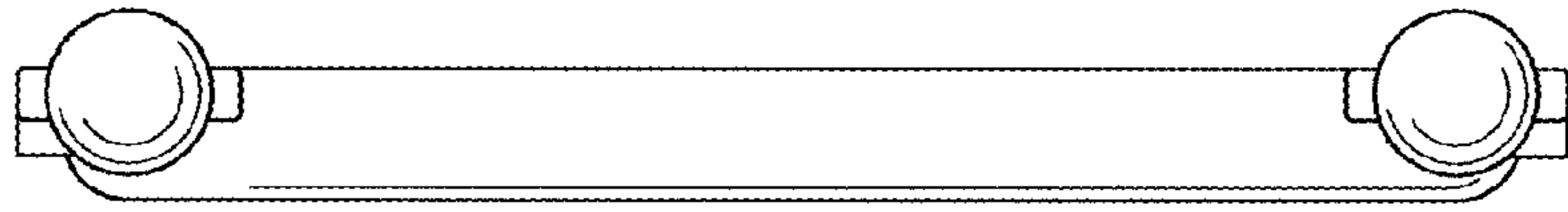


FIG. 3

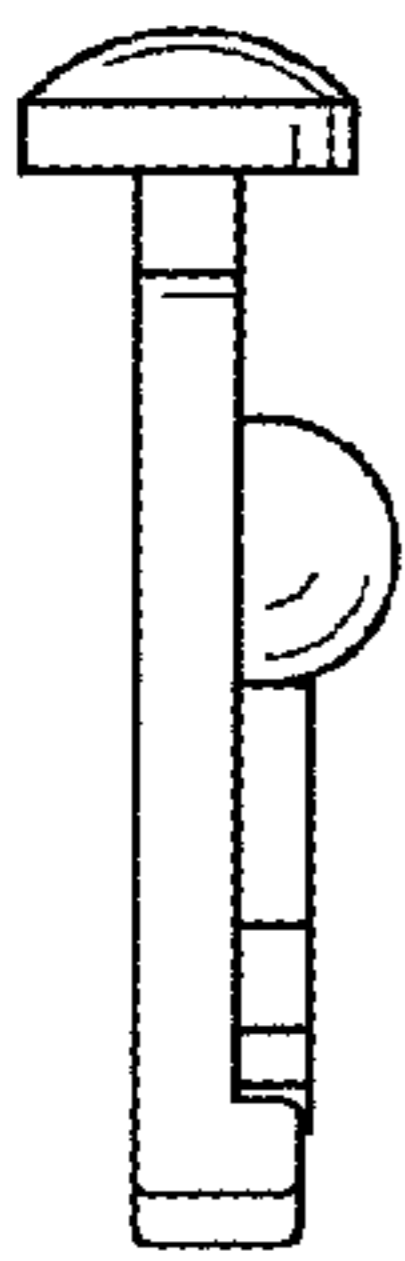


FIG. 6

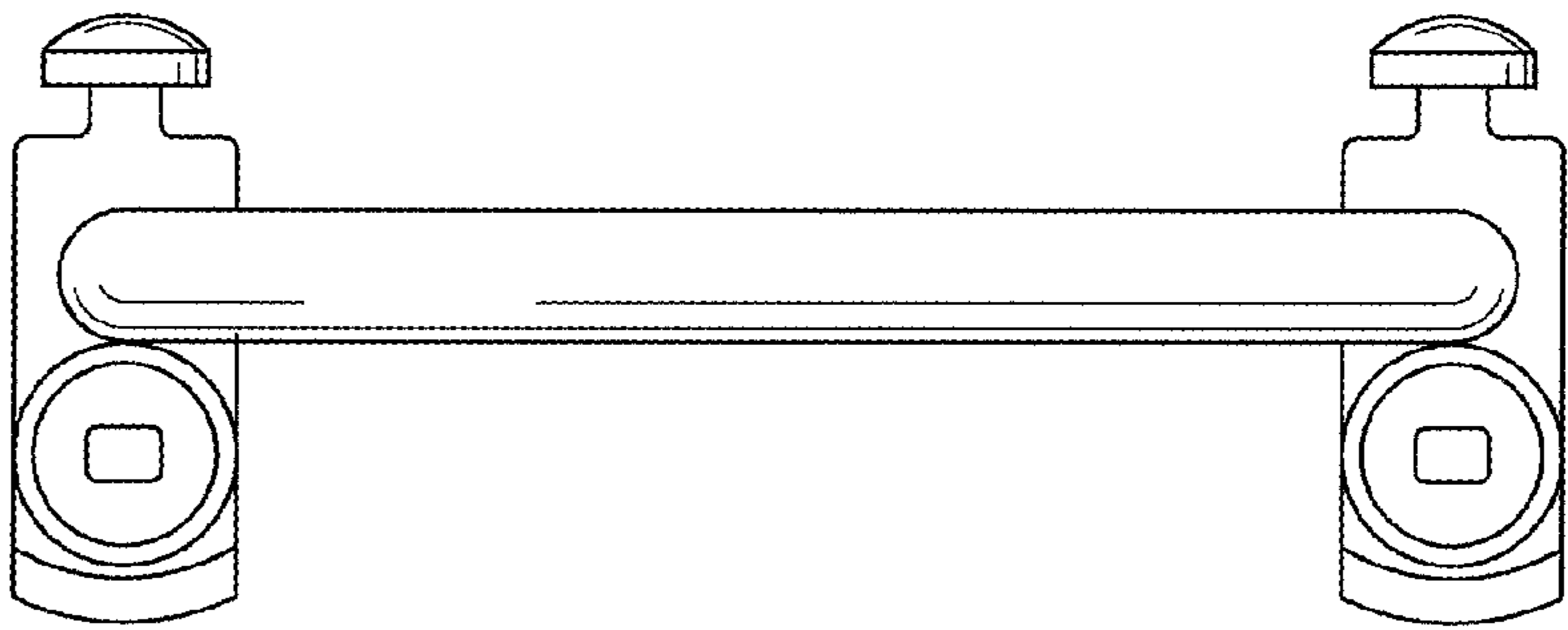


FIG. 2

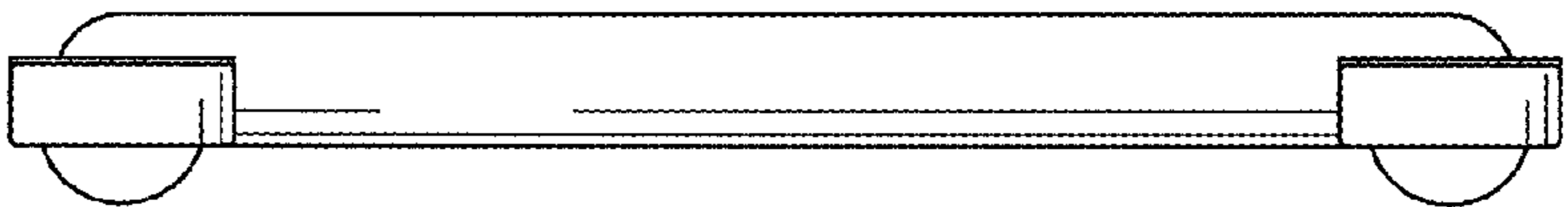


FIG. 4

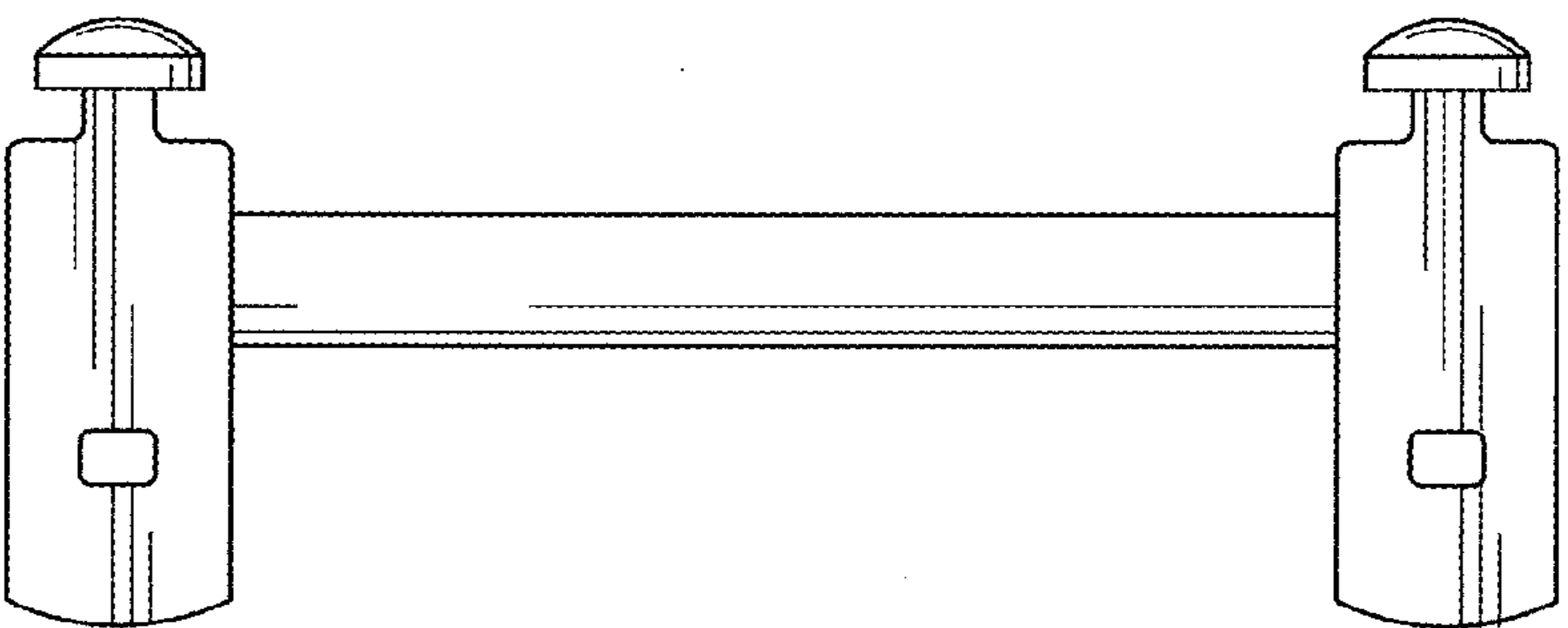


FIG. 5