



US00D779737S

(12) **United States Design Patent** (10) **Patent No.:** **US D779,737 S**  
**Salmon** (45) **Date of Patent:** **\*\* Feb. 21, 2017**

(54) **LIP BALM DISPENSER**

- (71) Applicant: **Amelia Knight Limited**, Northwich Cheshire (GB)
- (72) Inventor: **Mark Salmon**, Northwich Cheshire (GB)
- (73) Assignee: **Amelia Knight Limited**, Cheshire (GB)
- (\*\*) Term: **15 Years**
- (21) Appl. No.: **29/527,270**
- (22) Filed: **May 18, 2015**
- (51) **LOC (10) Cl.** ..... **28-03**
- (52) **U.S. Cl.**  
USPC ..... **D28/85**; D9/651; D9/655; D9/566
- (58) **Field of Classification Search**  
USPC ..... D28/4, 76, 77, 85, 86, 87, 88, 89, 90;  
D9/651, 737, 738, 516, 522, 529, 549,  
D9/551, 553, 555, 560, 559, 564, 566,  
D9/504, 432, 726, 502  
CPC ..... A45D 33/00; A45D 33/14; A45D 34/06;  
A45D 40/02; A45D 40/20; A45D 40/06  
See application file for complete search history.

(56) **References Cited**

**U.S. PATENT DOCUMENTS**

D142,315 S *	8/1945	Beveridge	.....	D28/78
D214,132 S *	5/1969	Niemoller	.....	D21/373
D298,070 S *	10/1988	Ferrari	.....	D28/76
D309,511 S *	7/1990	Bertlin	.....	D28/78
D368,430 S *	4/1996	Herzog	.....	D9/651
D477,227 S *	7/2003	Goswell	.....	D9/529
D505,517 S *	5/2005	Baresi	.....	D28/76
D584,950 S *	1/2009	Courtaigne Delalande	...	D9/529
D708,789 S *	7/2014	Schlatter	.....	D28/87
D708,790 S *	7/2014	Schlatter	.....	D28/89
D709,652 S *	7/2014	Teller	.....	D28/83
D711,236 S *	8/2014	Friesen	.....	D9/519
D726,967 S *	4/2015	Komai	.....	D28/87
D735,415 S *	7/2015	Thompson	.....	D28/83
D737,689 S *	9/2015	Monteparo	.....	D9/435
D746,143 S *	12/2015	Yamamoto	.....	D9/529

(Continued)

**OTHER PUBLICATIONS**

Amazon, "Transparent Acrylic Ring Box . . . Package Case", First on sale May 29, 2014, Accessed Sep. 14, 2016. (<https://www.amazon.co.uk/Transparent-Acrylic-Earrings-Jewelry-Organizer/dp/B00KMQ90WQ>).\*

(Continued)

*Primary Examiner* — Jennifer Rivard

*Assistant Examiner* — April Rivas

(74) *Attorney, Agent, or Firm* — Fredrickson & Byron, P.A.

(57) **CLAIM**

I claim the ornamental design for a lip balm dispenser, as shown and described.

**DESCRIPTION**

FIG. 1 is a perspective of my new design for a lip balm dispenser, showing the lip balm dispenser in a closed configuration;

FIG. 2 is a front view thereof;

FIG. 3 is a rear view thereof;

FIG. 4 is a left side view thereof;

FIG. 5 is a right side thereof;

FIG. 6 is a top view thereof;

FIG. 7 is a bottom view thereof; and

FIG. 8 is a perspective of my new design for a lip balm dispenser, showing the lip balm dispenser in an open configuration having a top and a bottom;

FIG. 9 is a front view of the bottom;

FIG. 10 is a rear view thereof;

FIG. 11 is a left side view thereof;

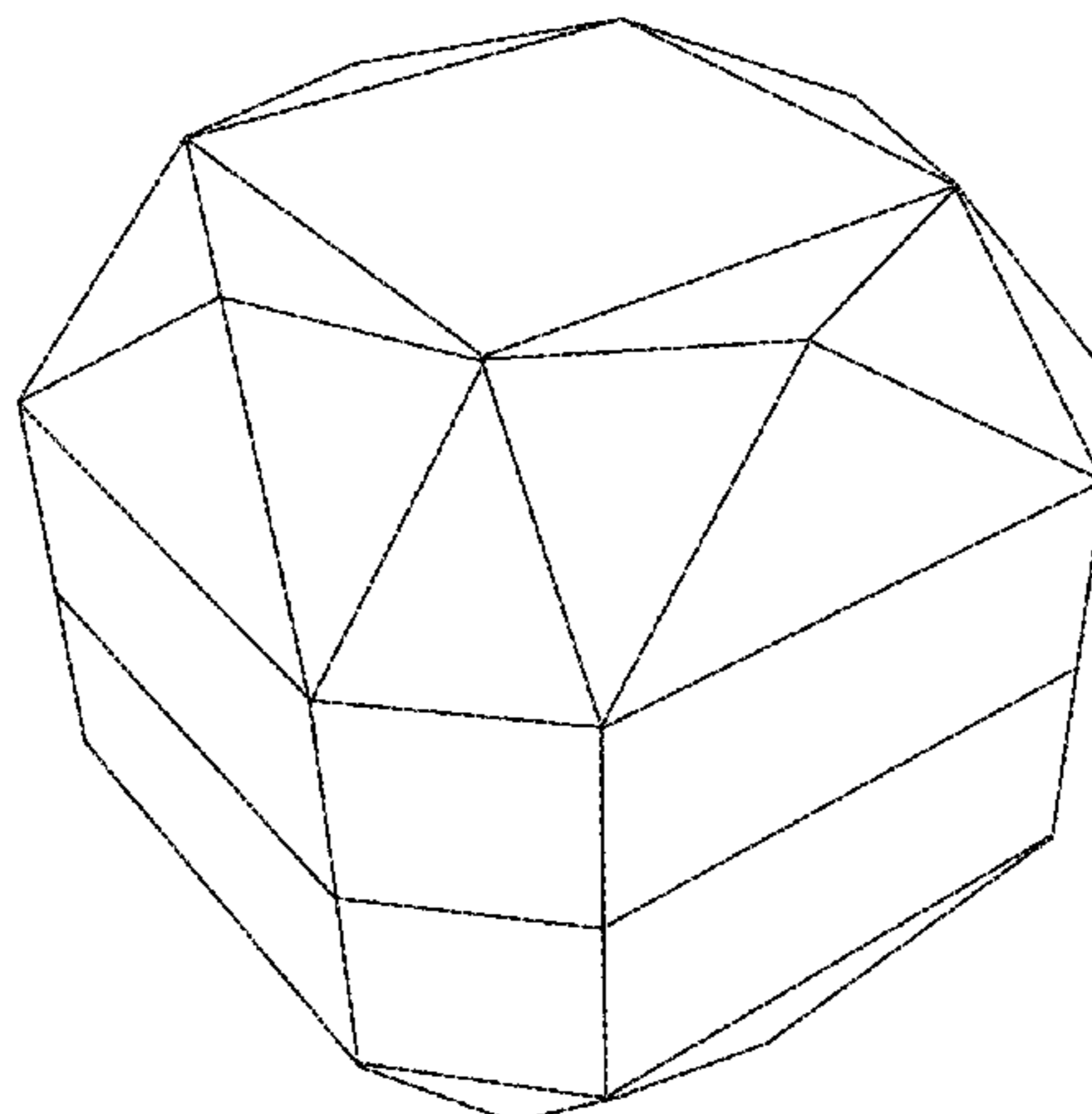
FIG. 12 is a right side thereof;

FIG. 13 is a top view thereof; and,

FIG. 14 is a bottom view thereof.

FIGS. 9-14 illustrate the bottom with the lid removed for convenience of illustration.

**1 Claim, 14 Drawing Sheets**



(56)

**References Cited**

## U.S. PATENT DOCUMENTS

D755,051 S \* 5/2016 Otani ..... D9/504  
D756,037 S \* 5/2016 Schlatter ..... D28/85

## OTHER PUBLICATIONS

Asos store, “Jewel Lip Balm—Gold”, Accessed Sep. 13, 2016. (<http://www.asos.com/Beauty-Extras/Jewel-Lip-Balm---Gold/Prod/pgeproduct.aspx?iid=6156352&r=2>).\*

Gaggione, “Diamond jar injection moulded in copolyester”, Accessed Sep. 14, 2016. ([http://www.gaggione.com/cosmetic\\_jars\\_custom\\_made\\_by\\_injection\\_moulding.xhtml](http://www.gaggione.com/cosmetic_jars_custom_made_by_injection_moulding.xhtml)).\*

Balmi Lip Care, [online] The Boots Company PLC [retrieved on Sep. 17, 2015]. Retrieved from the Internet: <URE: <http://www.boots.com/en/Boots-Brands-A-to-Z/Balmi/>>.

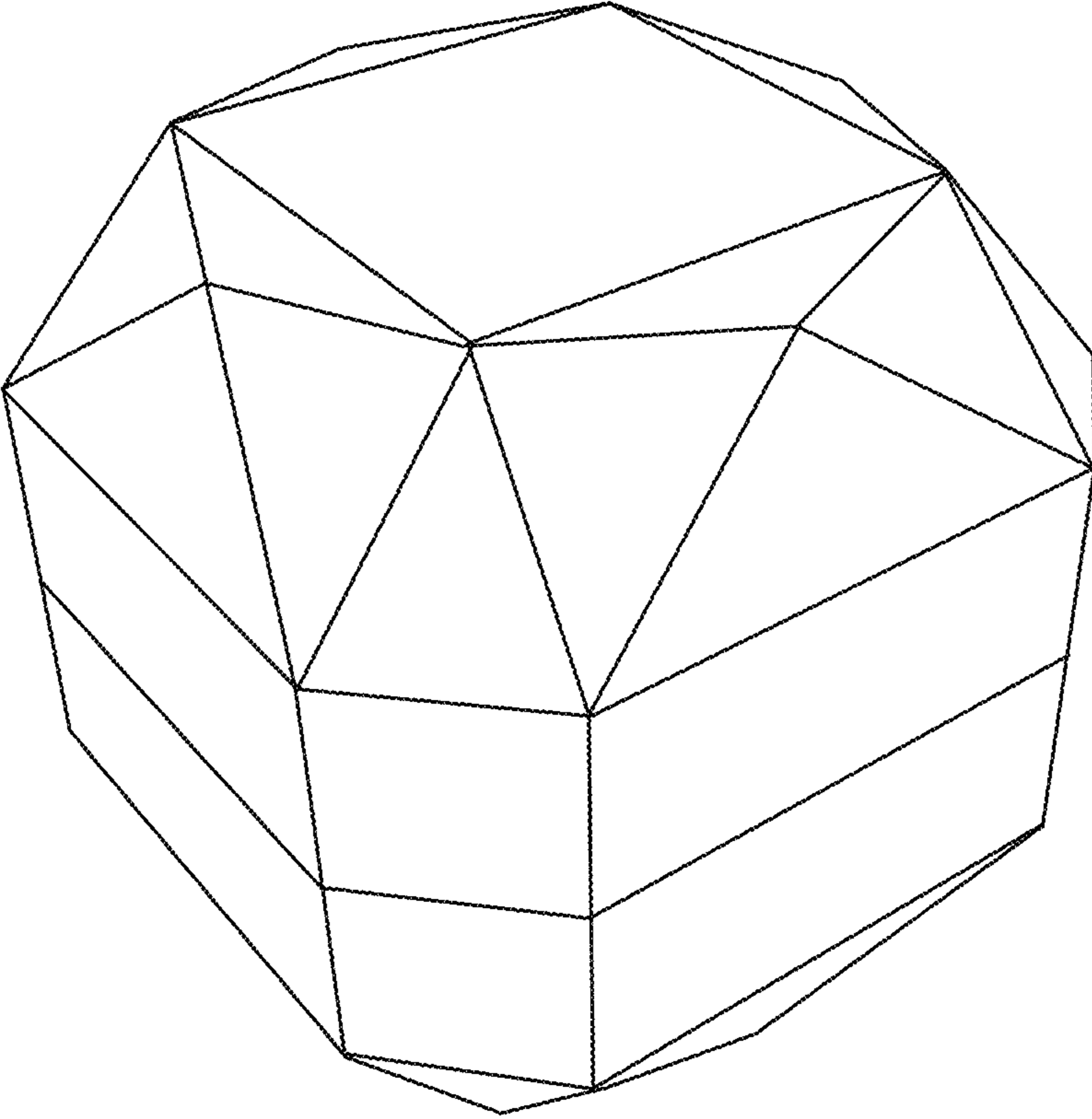
Eos—Visibly Soft Lip Balm—Coconut Milk, [online] eos Products LLC, 2015 [retrieved on Sep. 21, 2015]. Retrieved from the Internet <URL: <http://evolutionofsmooth.com/lip-balm/smooth-spheres/visibly-soft-coconut-milk.html>>.

EM DM079247 Industrial Design Application (Zamya Limited) Aug. 15, 2012, [database online], [retrieved Sep. 17, 2015] Retrieved from the Hague Express Database using Internet <URL: <http://www.wipo.int/designdb/hague/en/>>.

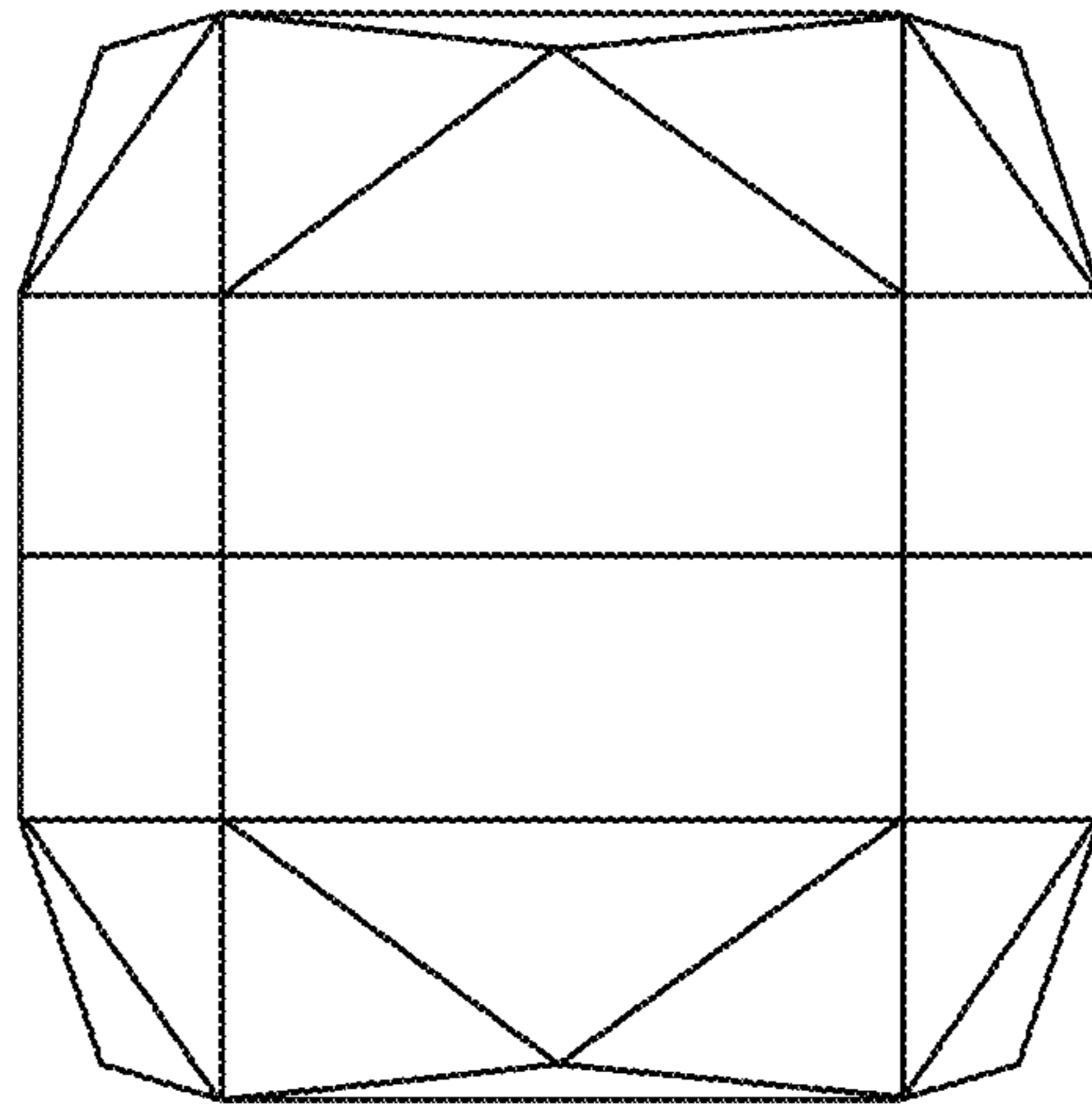
EM DM080111 Industrial Design Application (Zamya Limited) Feb. 8, 2013, [database online], [retrieved May 12, 2015], retrieved from the Hague Express Database using internet <URL: <http://www.wipo.int/designdb/hague/en/>>.

\* cited by examiner

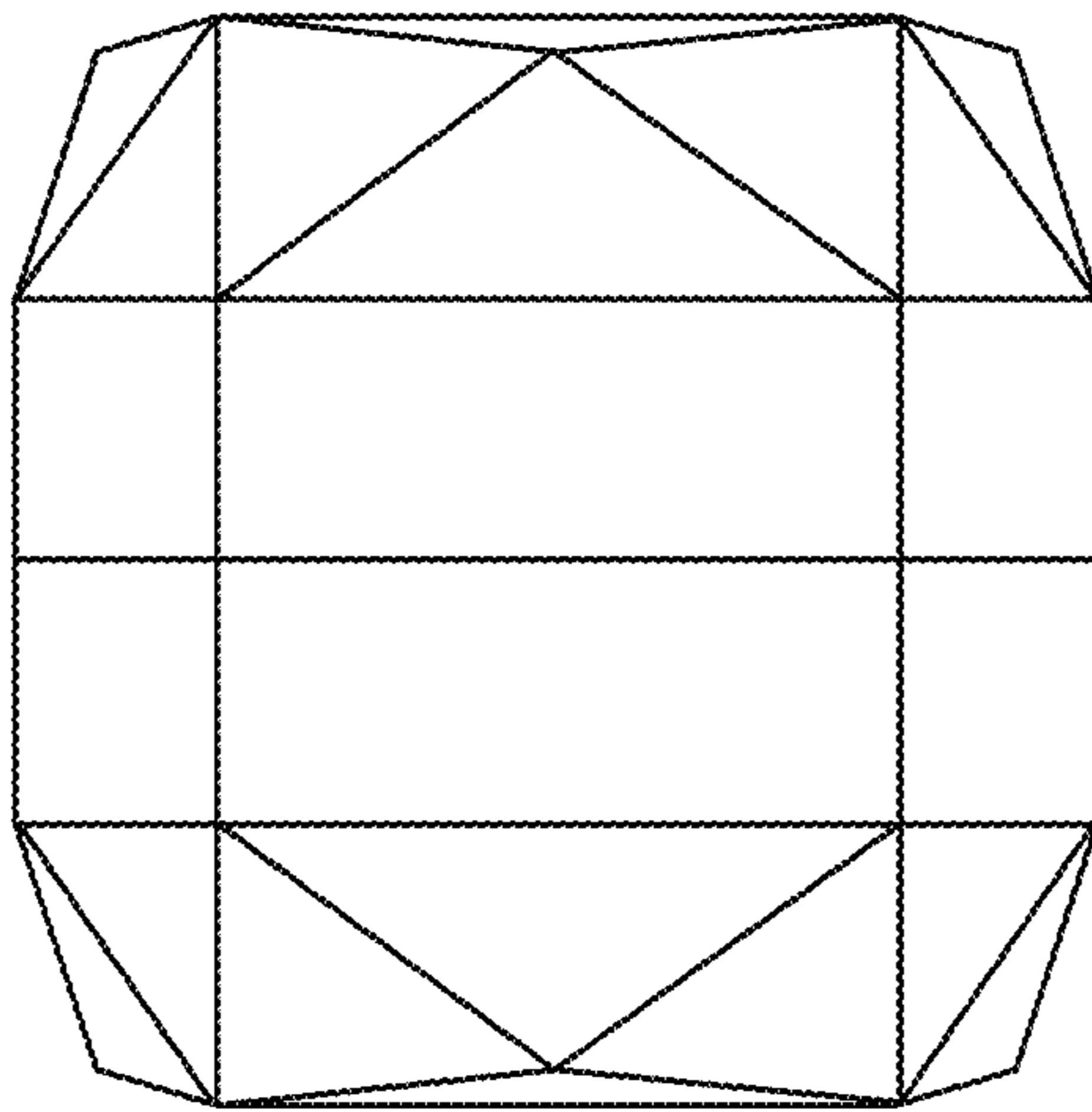
*FIG. 1*



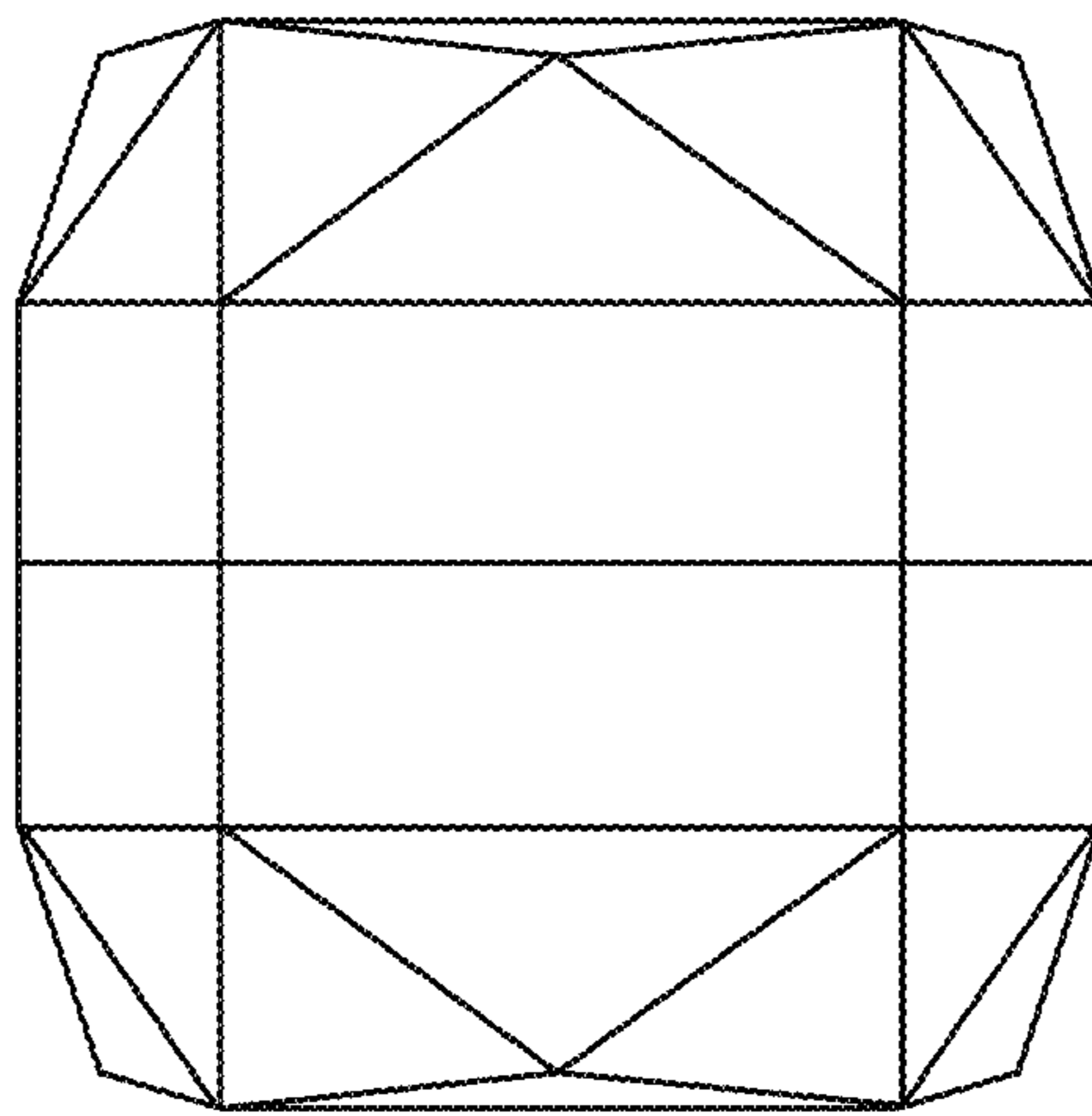
*FIG. 2*



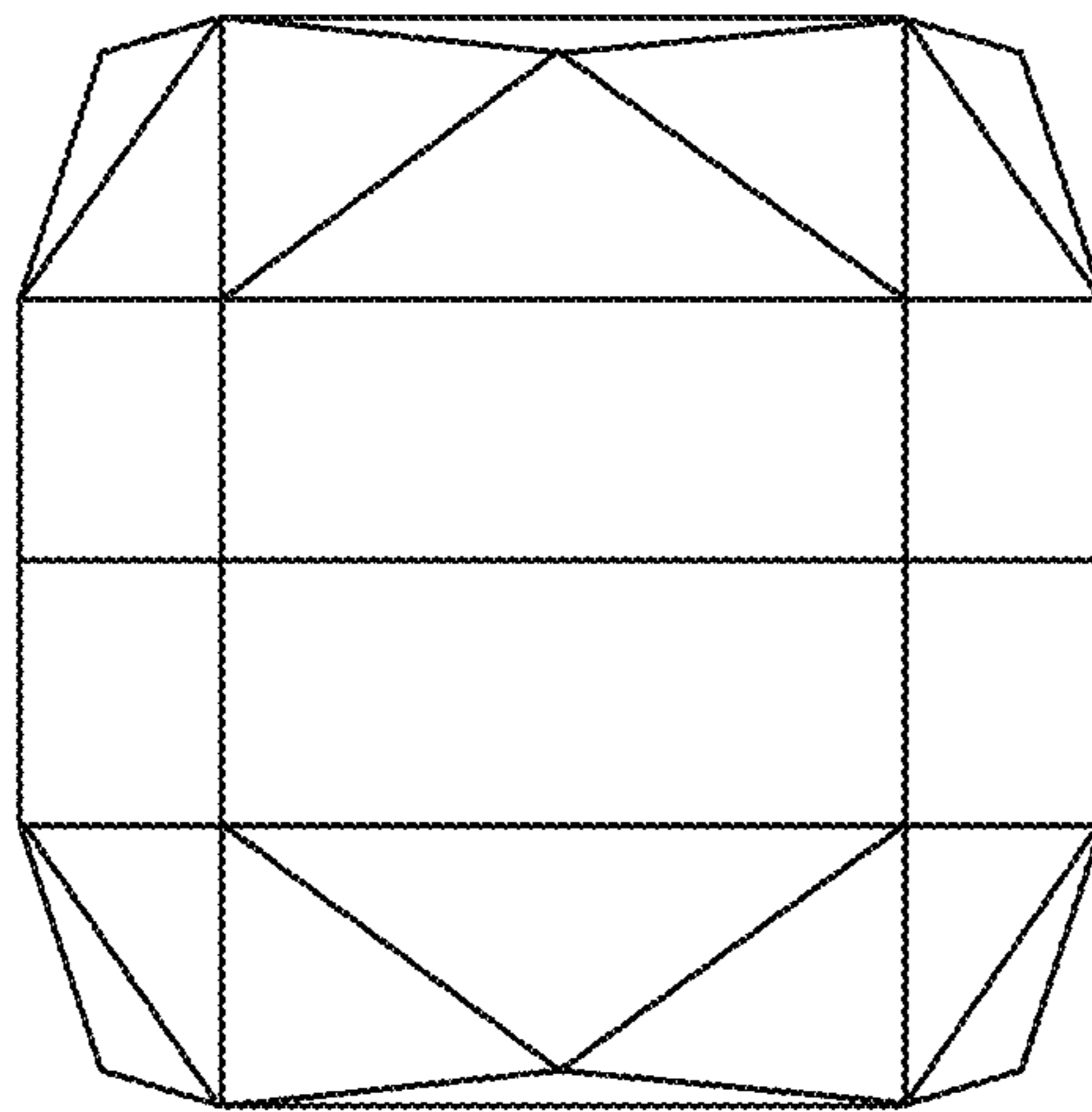
*FIG. 3*



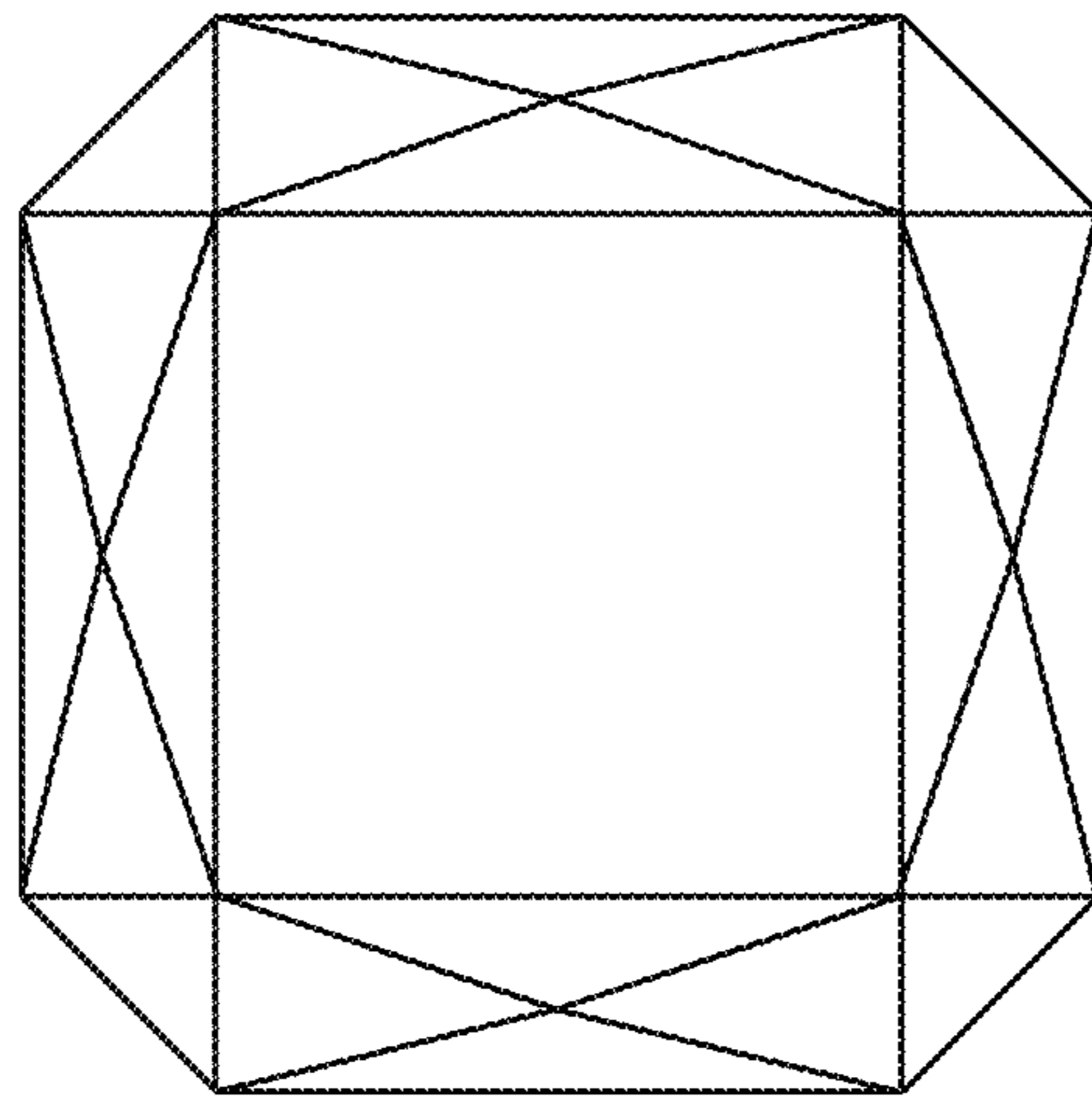
*FIG. 4*



*FIG. 5*



*FIG. 6*





*FIG. 7*

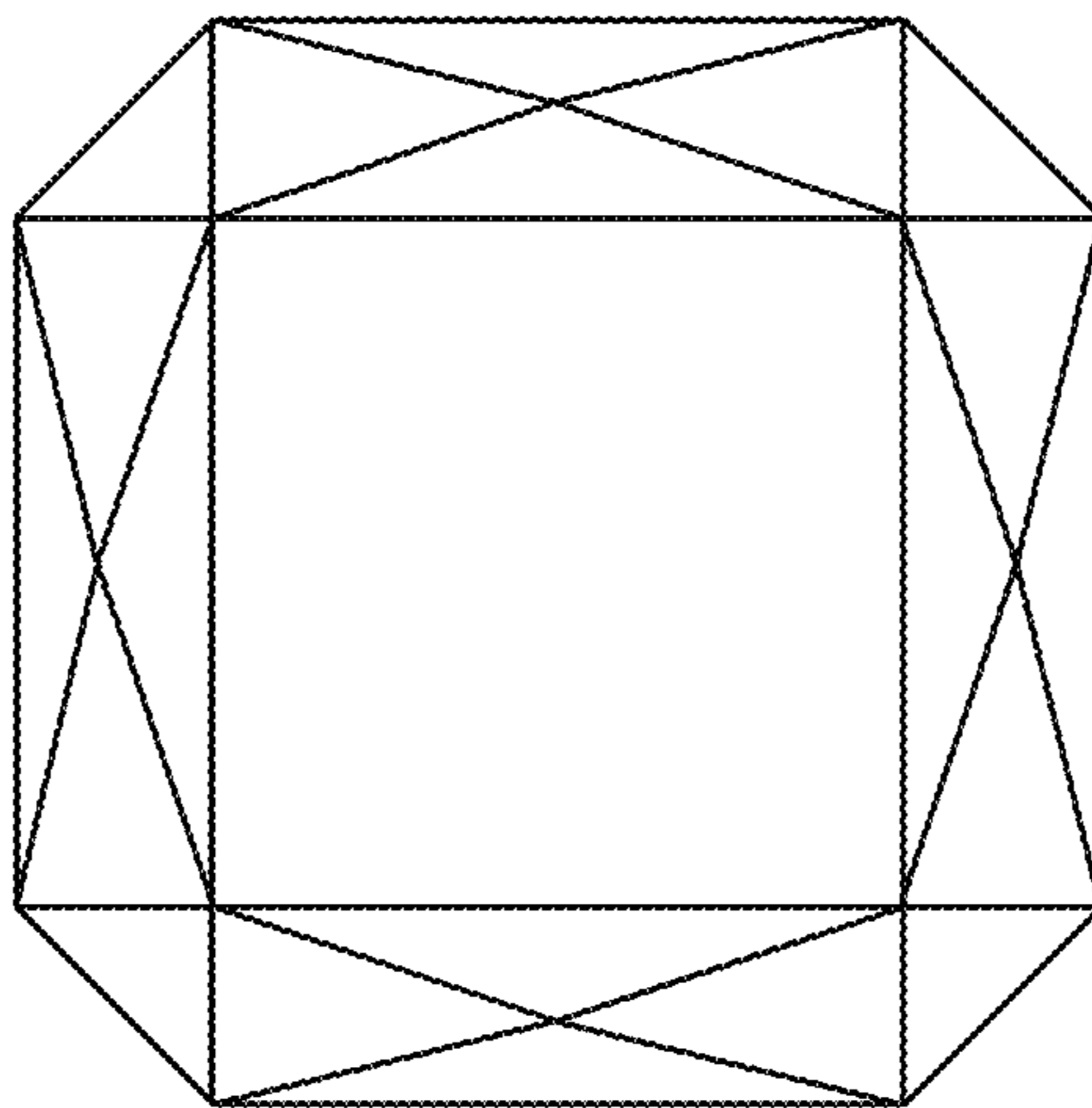
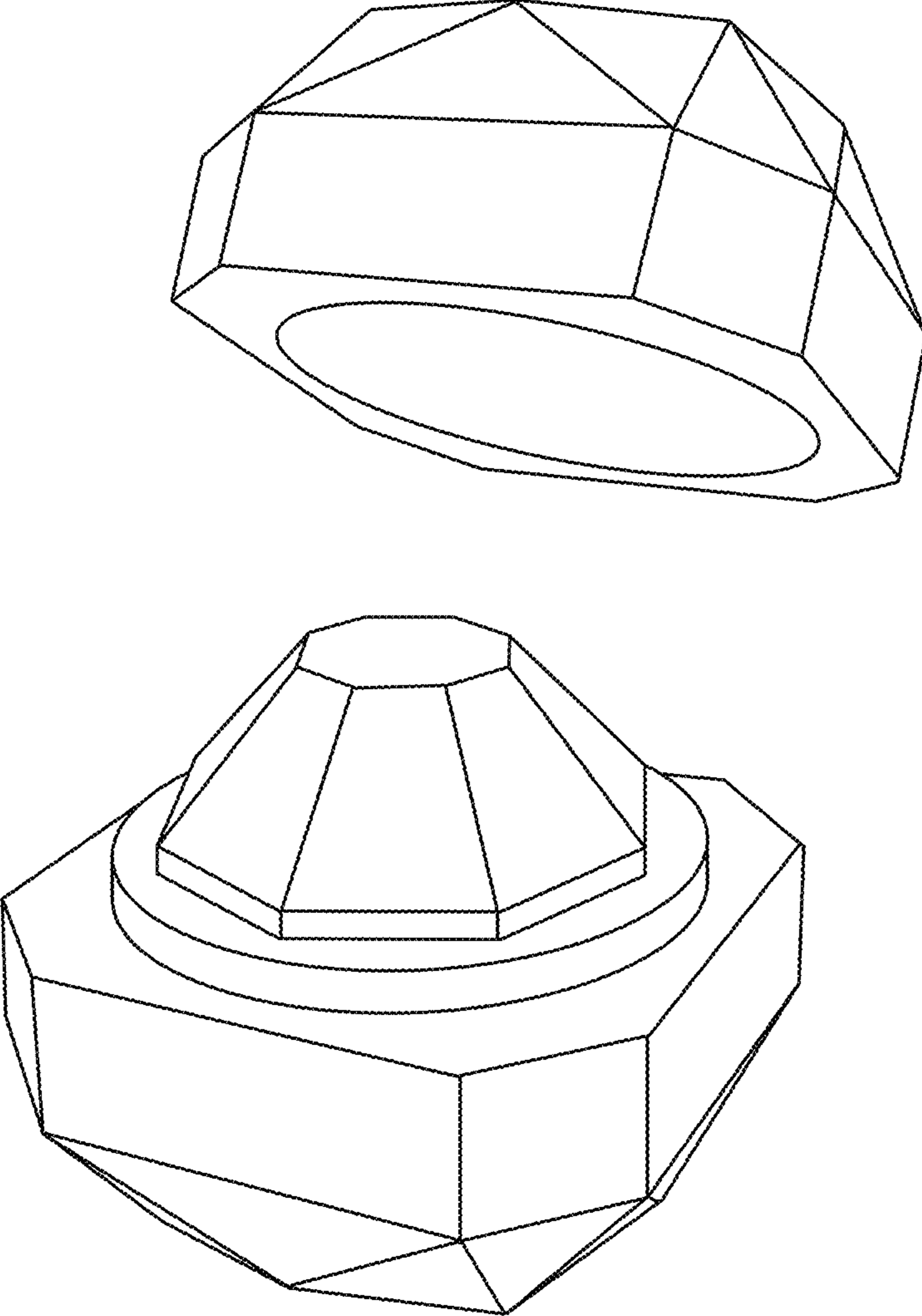
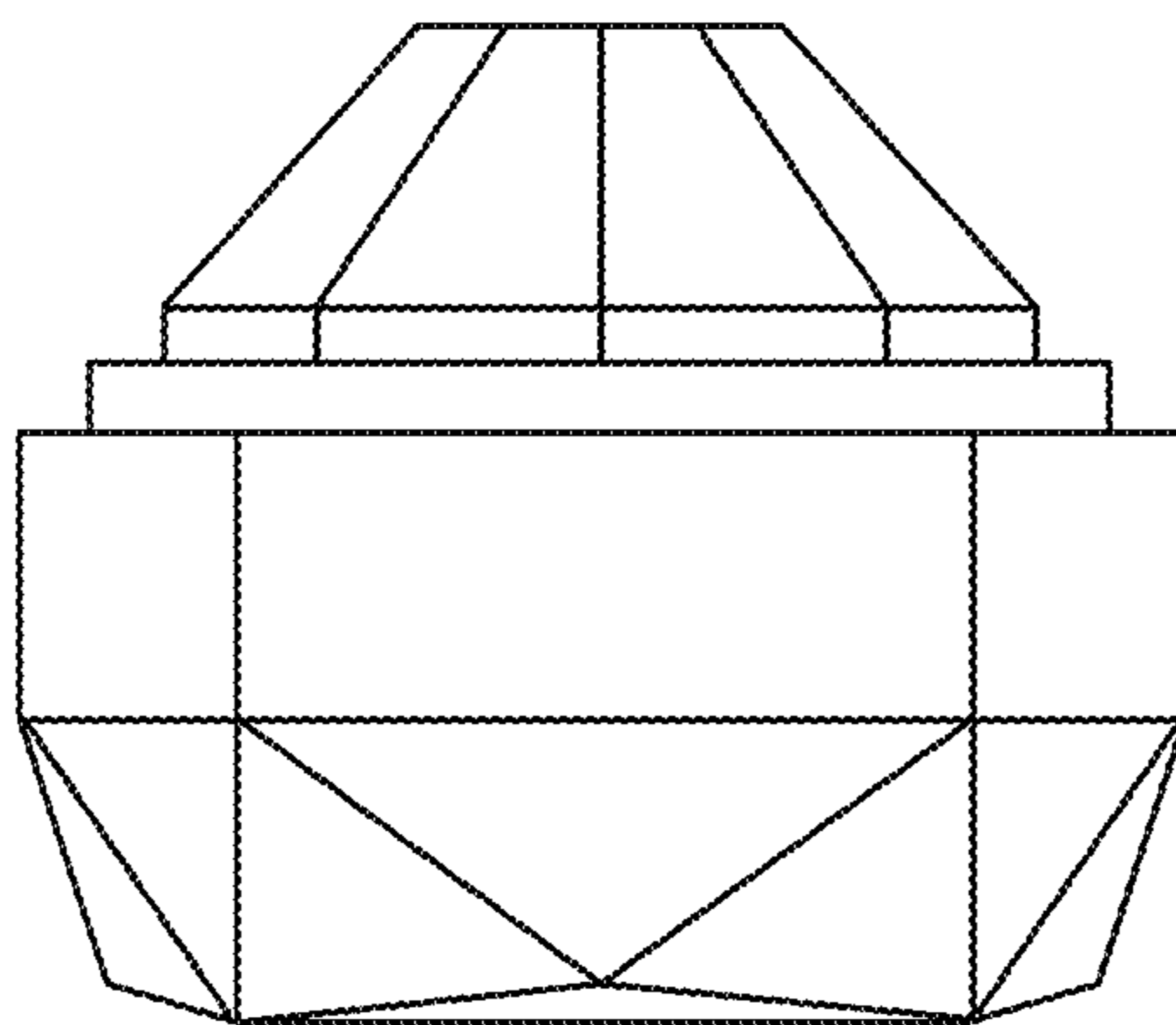


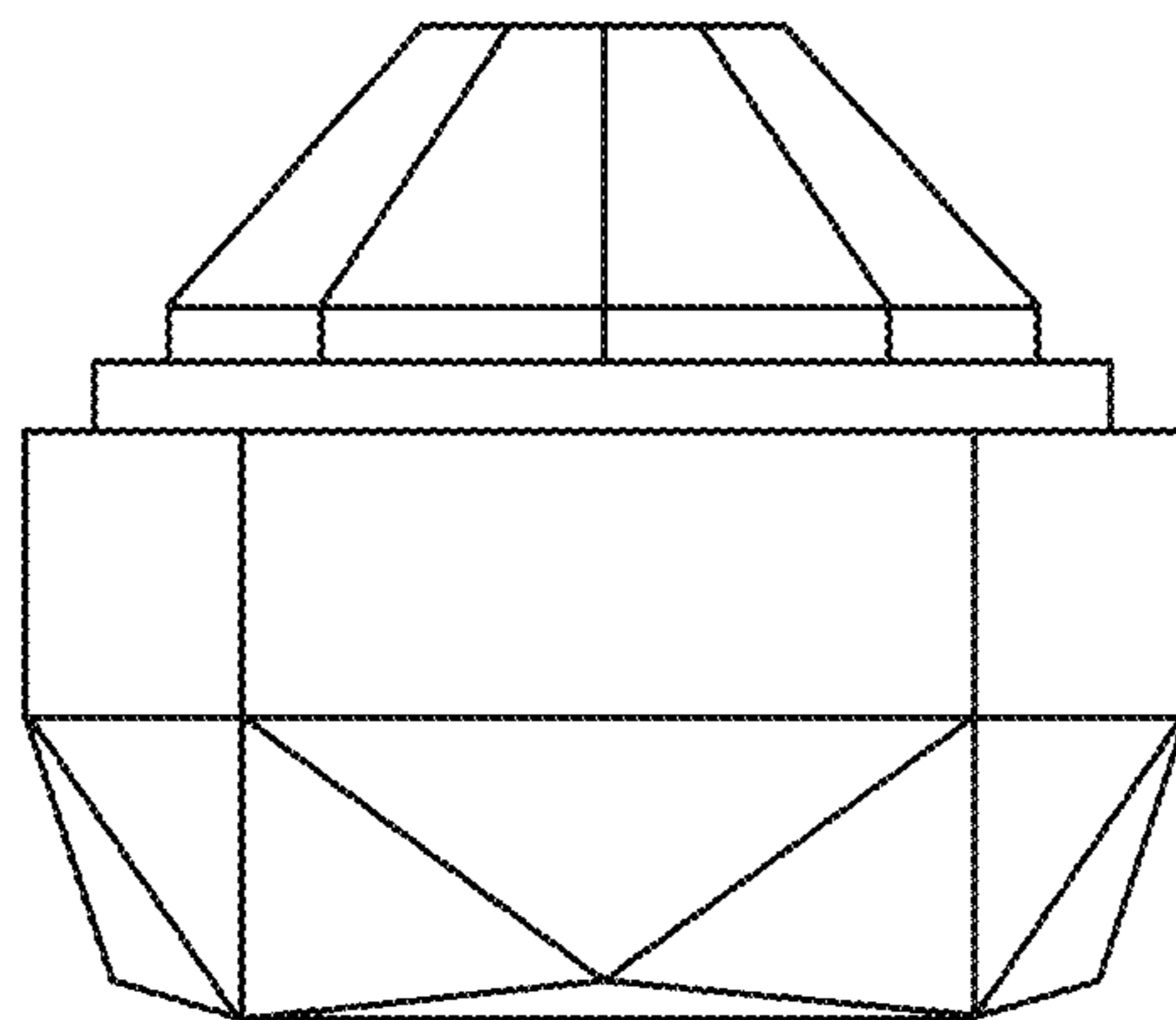
FIG. 8



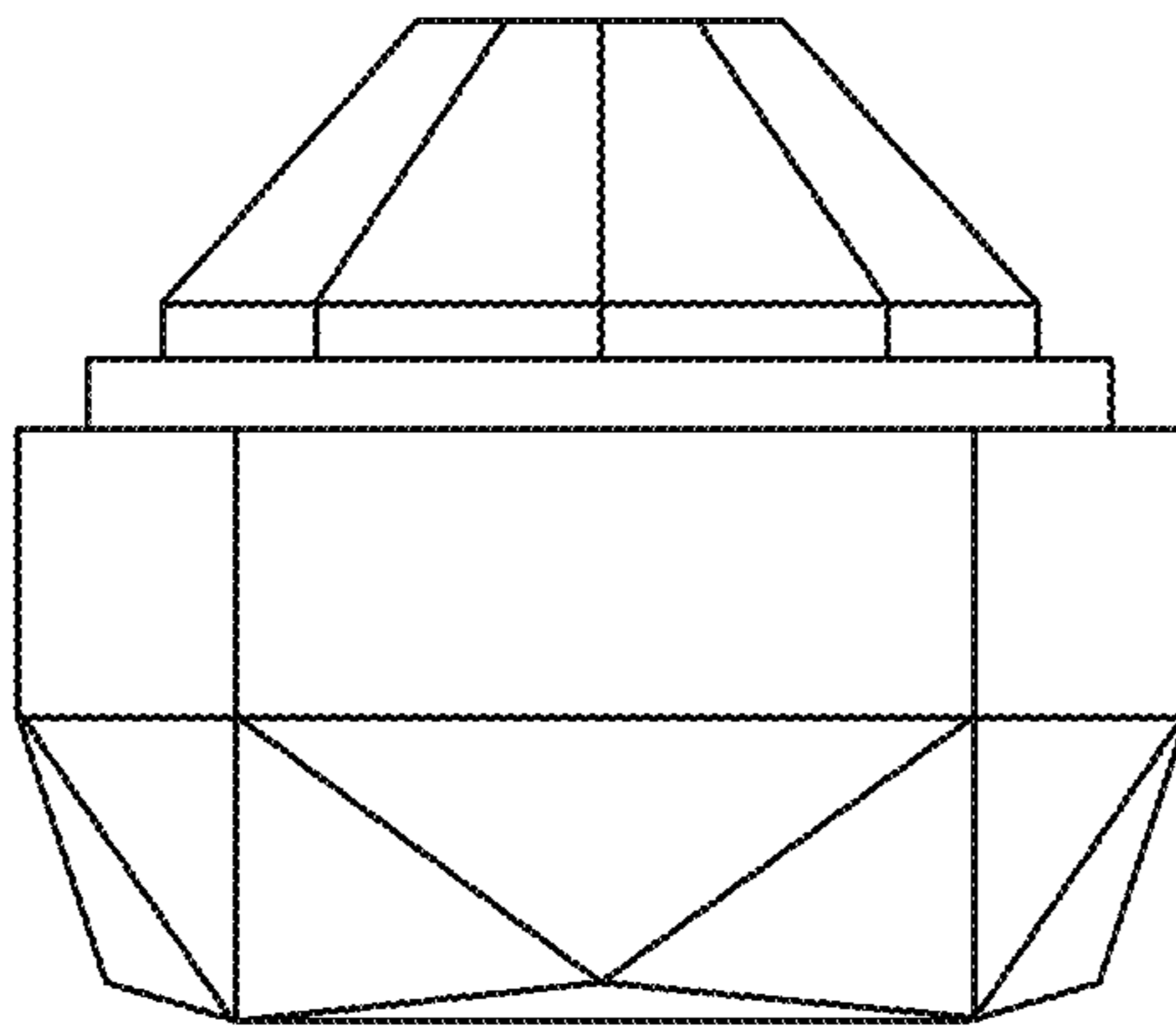
*FIG. 9*



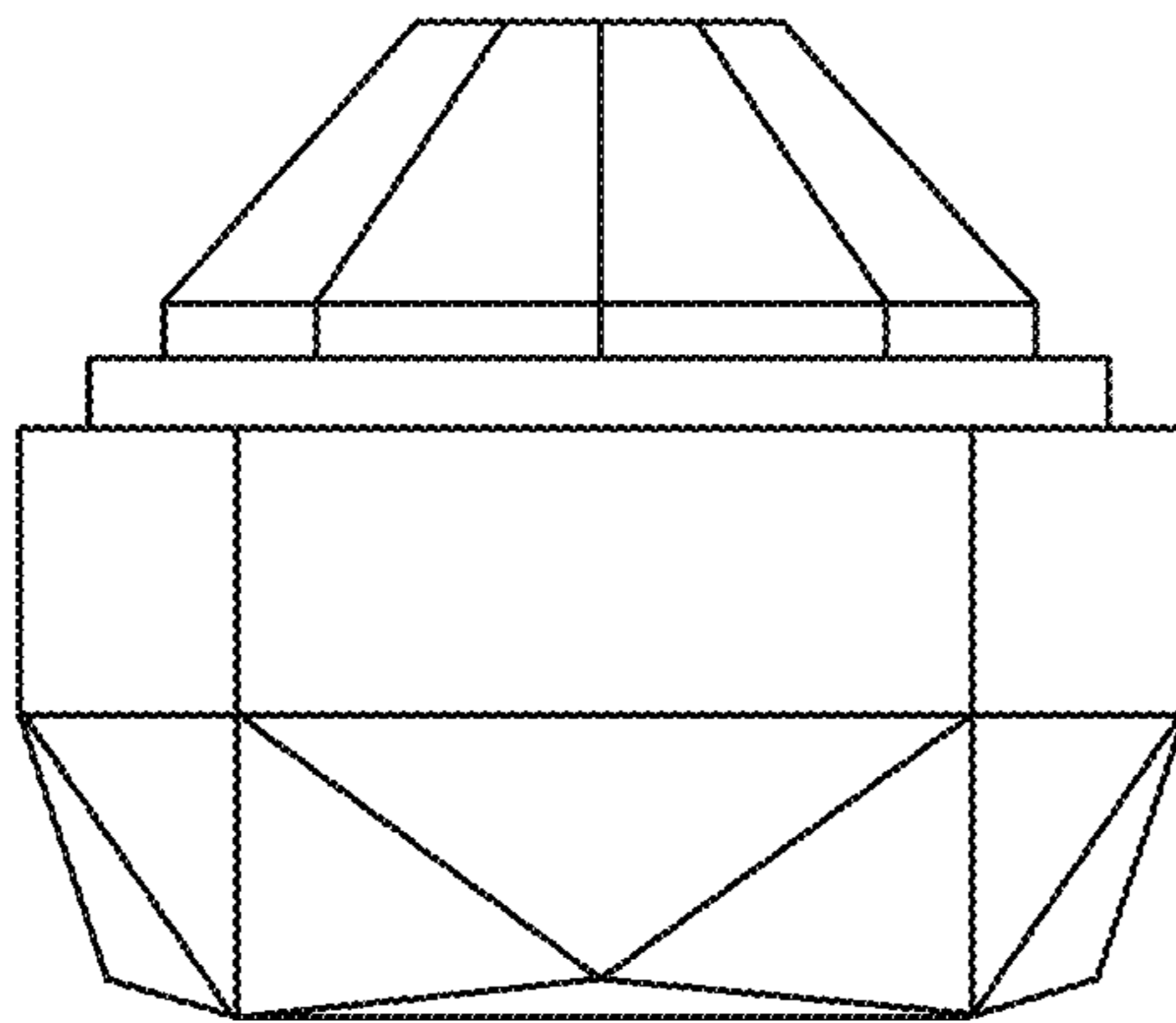
*FIG. 10*



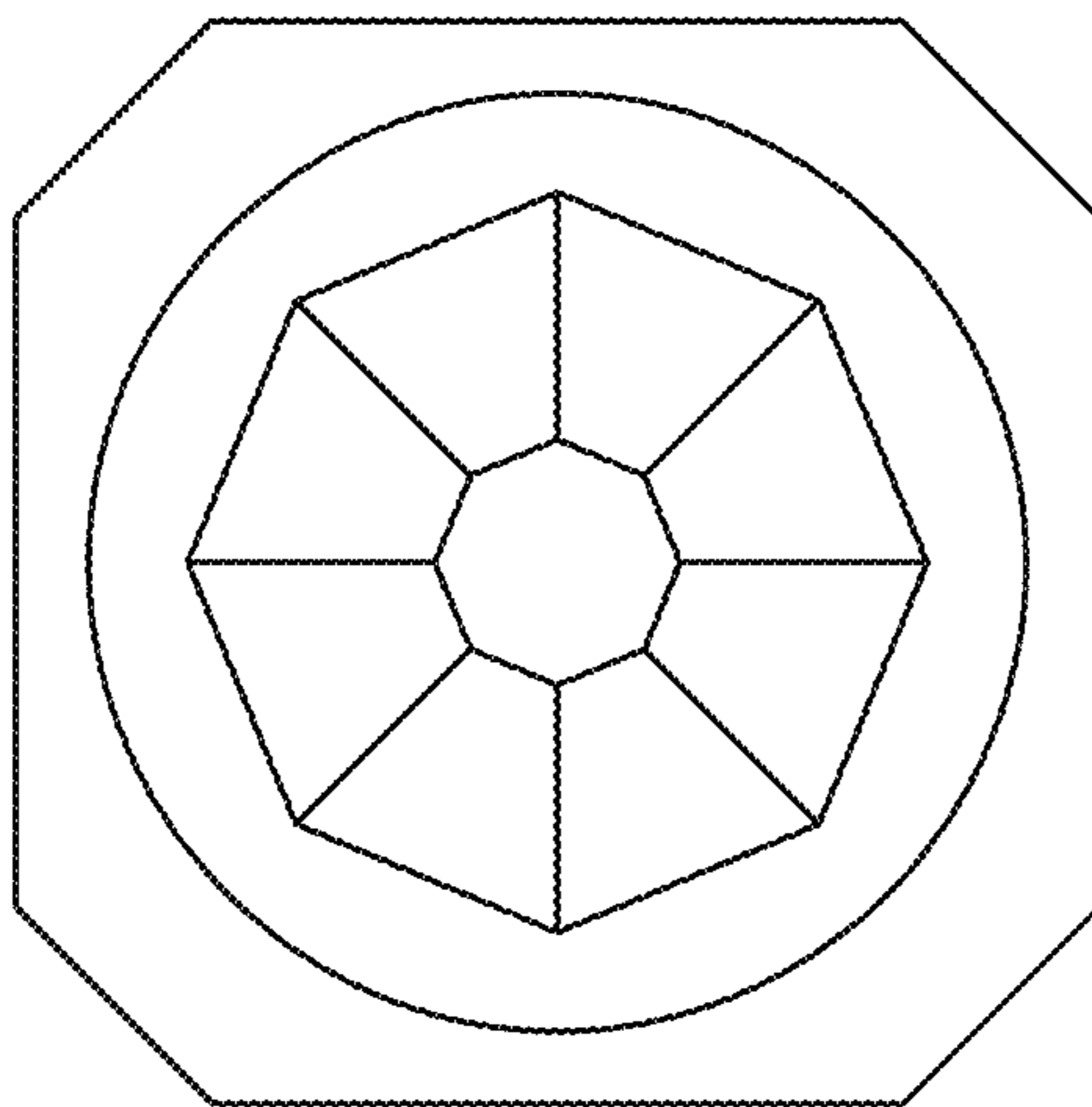
*FIG. 11*



*FIG. 12*



*FIG. 13*



*FIG. 14*

