



US00D779735S

(12) **United States Design Patent** (10) **Patent No.:** **US D779,735 S**  
**Petrucelli** (45) **Date of Patent:** **\*\* Feb. 21, 2017**

(54) **PEDESTAL WITH COILS FOR HOLDING HAIR STYLING TOOLS**

(71) Applicant: **P.S. Pibbs, Inc.**, Flushing, NY (US)

(72) Inventor: **Giulio Petrucelli**, Flushing, NY (US)

(73) Assignee: **P.S. PIBBS, INC.**

(\*\*) Term: **14 Years**

(21) Appl. No.: **29/455,001**

(22) Filed: **May 16, 2013**

(51) **LOC (10) Cl.** ..... **38-03**

(52) **U.S. Cl.**  
USPC ..... **D28/73; D28/38**

(58) **Field of Classification Search**  
USPC ..... D6/567, 566, 528, 531, 527, 681.3, D6/682.2, 682.5, 682.6; D28/73, 77, 38, D28/74, 93, 92; D8/373, 366, 71, 352, D8/356, 376, 380; D7/704  
CPC ..... F16M 11/04; A45D 20/00; A45D 20/12; A45D 2020/126; A45D 2020/128; A45D 44/02; A45D 44/04; A45D 20/16; A45D 2001/002; A45D 1/00  
See application file for complete search history.

(56) **References Cited**

U.S. PATENT DOCUMENTS

D207,091	S	*	3/1967	Kunz	.....	D6/527
D289,121	S	*	4/1987	Sasaki	.....	D6/718.31
D373,849	S	*	9/1996	Passalacqua	.....	D28/38
D377,695	S	*	1/1997	Puckett	.....	D28/38
5,613,305	A	*	3/1997	Narrin	.....	34/90
D381,123	S	*	7/1997	Giedd	.....	D28/73
D400,037	S	*	10/1998	Bartholow	.....	D6/566
5,819,960	A	*	10/1998	Bonazza	.....	211/133.1
D414,001	S	*	9/1999	Crotte et al.	.....	D28/73
D434,619	S	*	12/2000	Janis	.....	D7/702
6,581,890	B2	*	6/2003	Johnson et al.	.....	248/161

D489,841	S	*	5/2004	West	.....	D28/18
D502,786	S	*	3/2005	Cheung	.....	D28/73
D558,925	S	*	1/2008	Skyles	.....	D28/73
D584,857	S	*	1/2009	Kirschenmann	.....	D28/73
D595,996	S	*	7/2009	Cass et al.	.....	D7/637
D640,003	S	*	6/2011	Gilbert	.....	D28/38
D669,636	S	*	10/2012	Goodman et al.	.....	D28/73
D671,269	S	*	11/2012	Lang	.....	D28/73
D702,885	S	*	4/2014	Petrucelli	.....	D28/73
2006/0289367	A1	*	12/2006	Cossey	.....	211/13.1
2007/0221813	A1	*	9/2007	Blum et al.	.....	248/520

\* cited by examiner

*Primary Examiner* — Jennifer Rivard

*Assistant Examiner* — April Rivas

(74) *Attorney, Agent, or Firm* — Gerald E. Hespos; Michael J. Porco; Matthew T. Hespos

(57) **CLAIM**

The ornamental design for a pedestal with coils for holding hair styling tools, as shown and described.

**DESCRIPTION**

FIG. 1 is an environmental perspective view of a pedestal with coils for holding hair styling tools showing my new design;

FIG. 2 is a perspective view of a pedestal with coils for holding hair styling tools;

FIG. 3 is a top plan view thereof;

FIG. 4 is a front elevational view thereof;

FIG. 5 is a left side elevational view thereof;

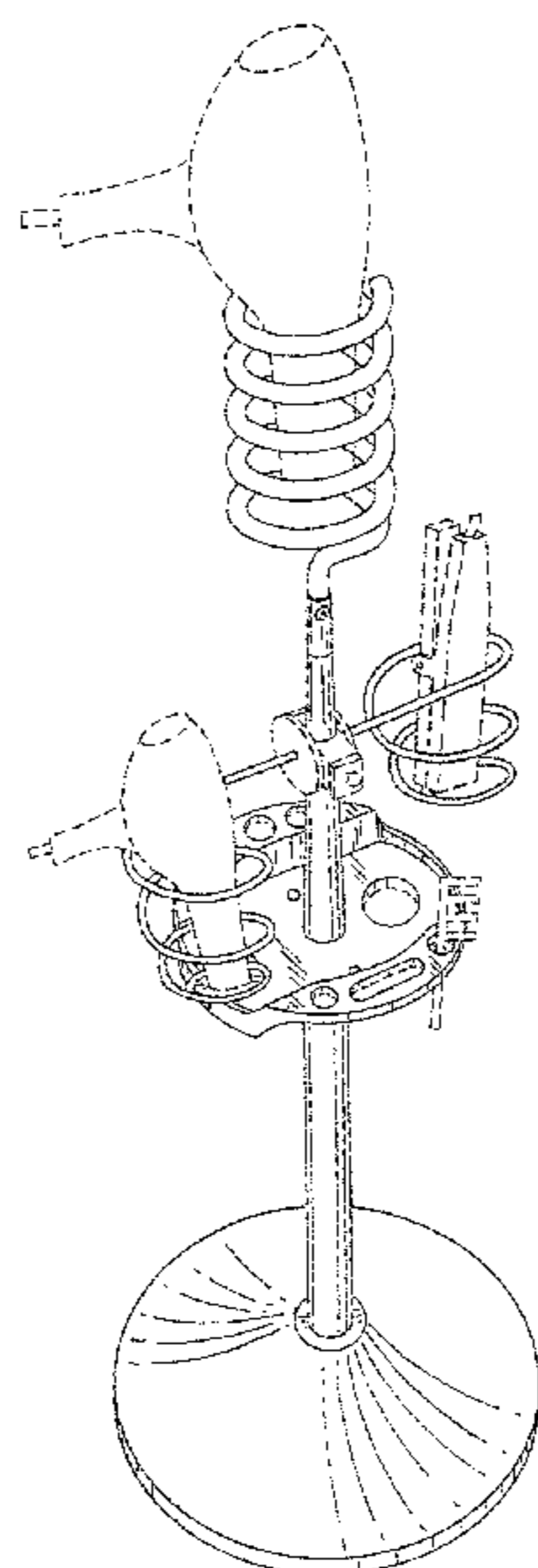
FIG. 6 is a right side elevational view thereof;

FIG. 7 is a rear elevational view thereof; and,

FIG. 8 is a bottom plan view thereof.

The broken lines in FIG. 1 illustrating hair styling tools show the claimed design in a state of use. The remaining broken lines shown in the drawings illustrate portions of the pedestal with coils for holding hair styling tools. None of the broken lines form part of the claimed design.

**1 Claim, 7 Drawing Sheets**



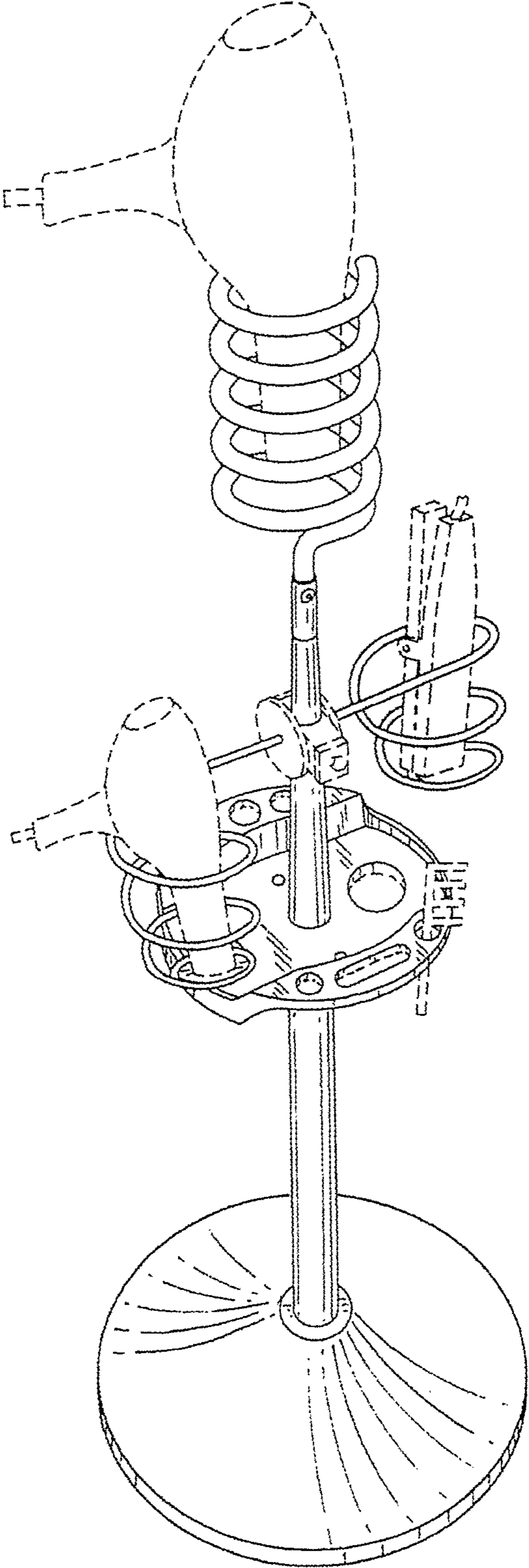


FIG. 1

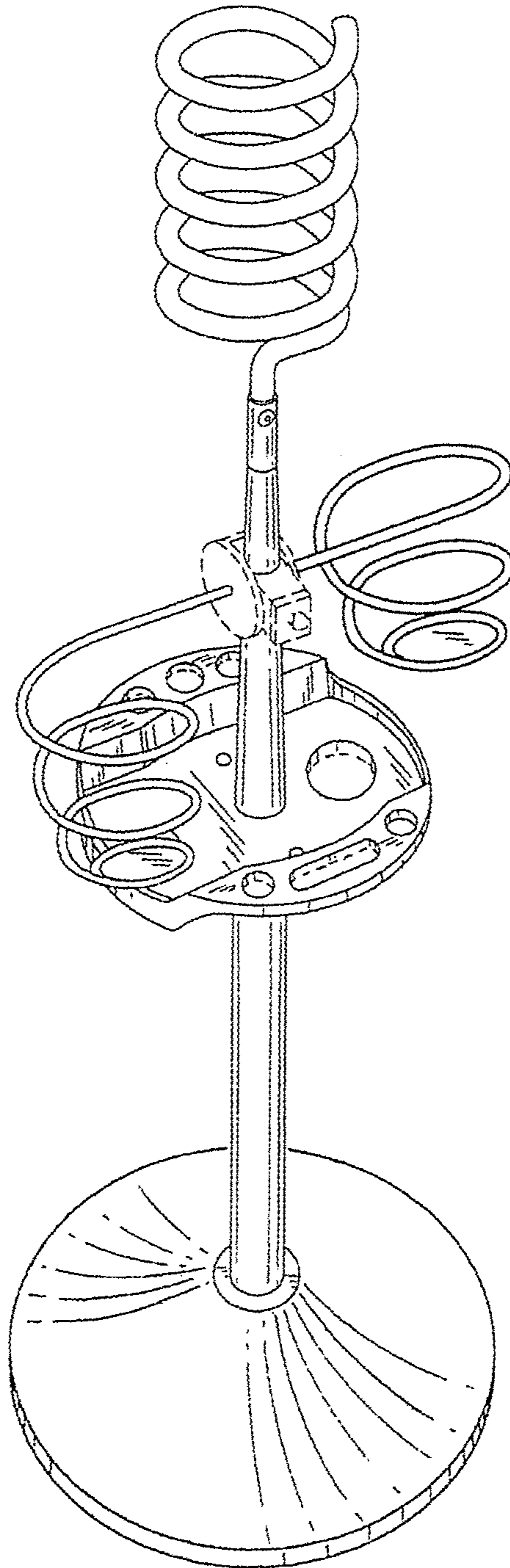


FIG.2

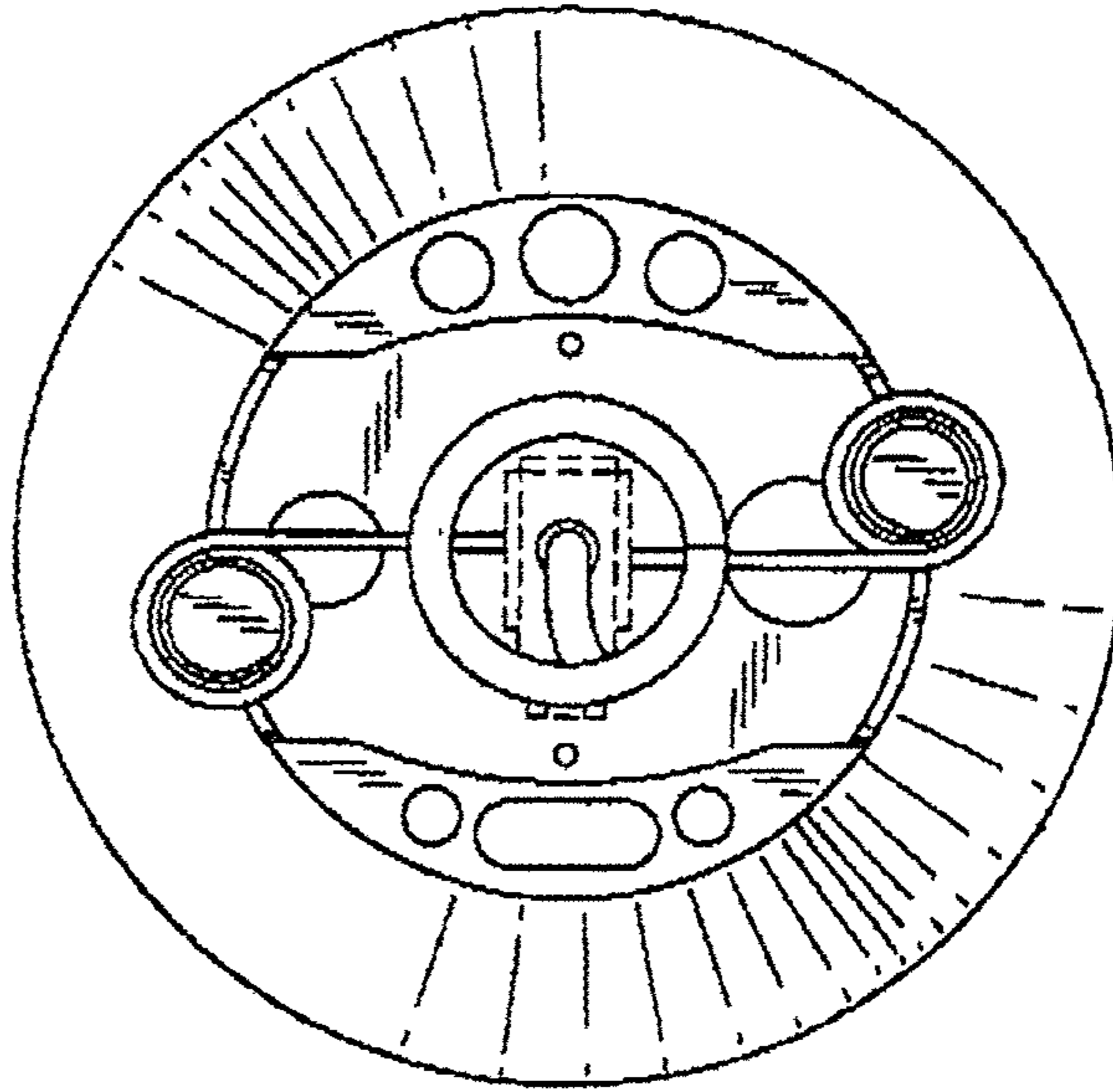


FIG. 3

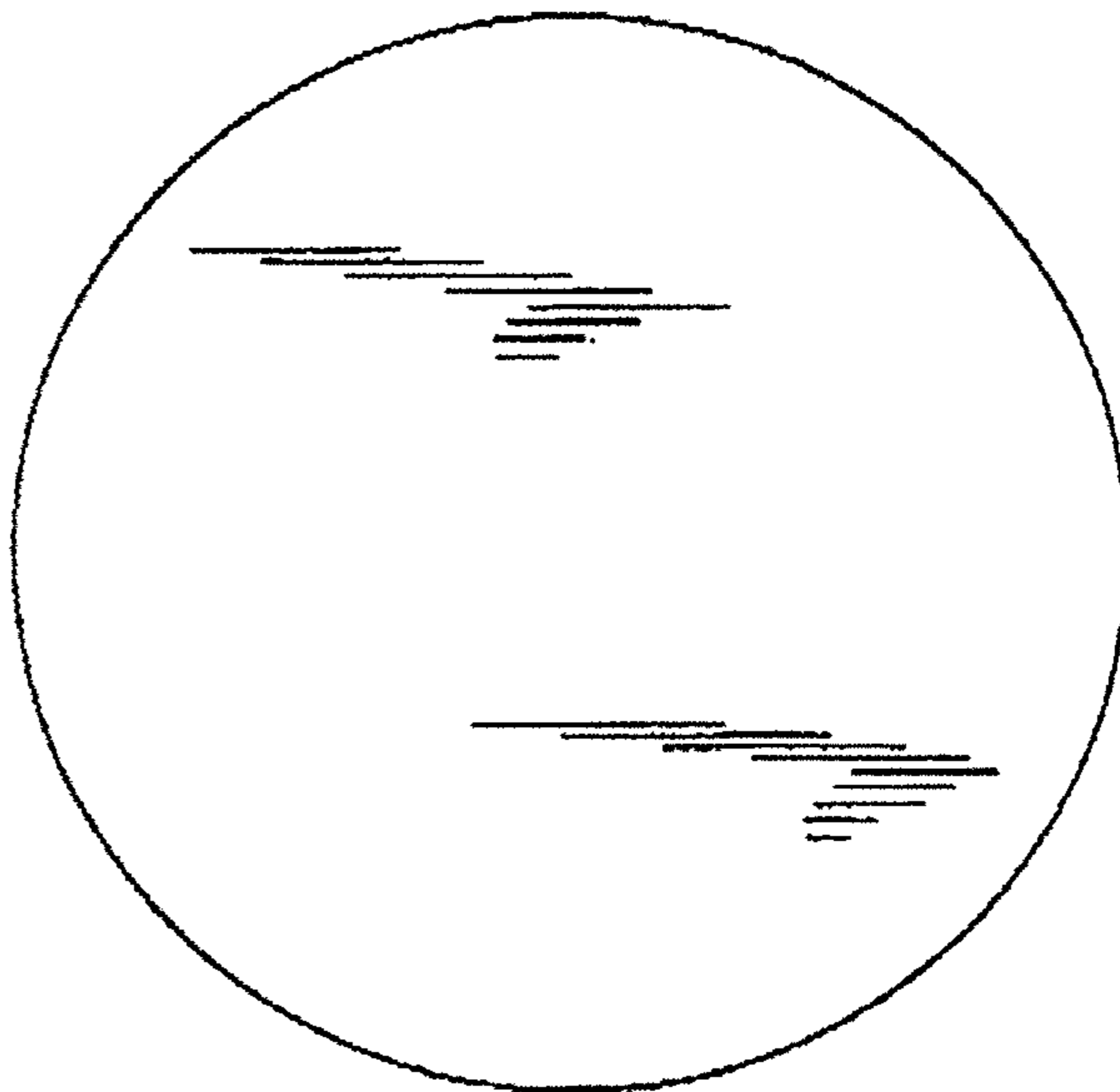


FIG. 8



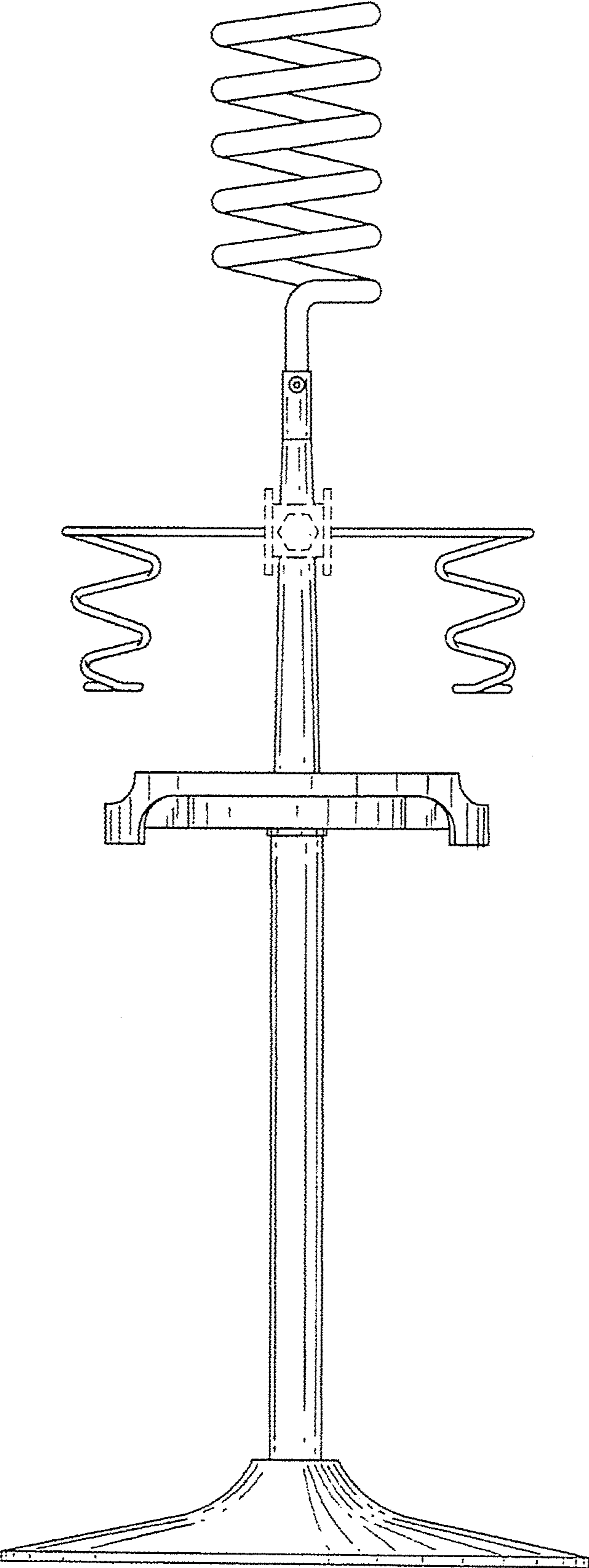


FIG.4

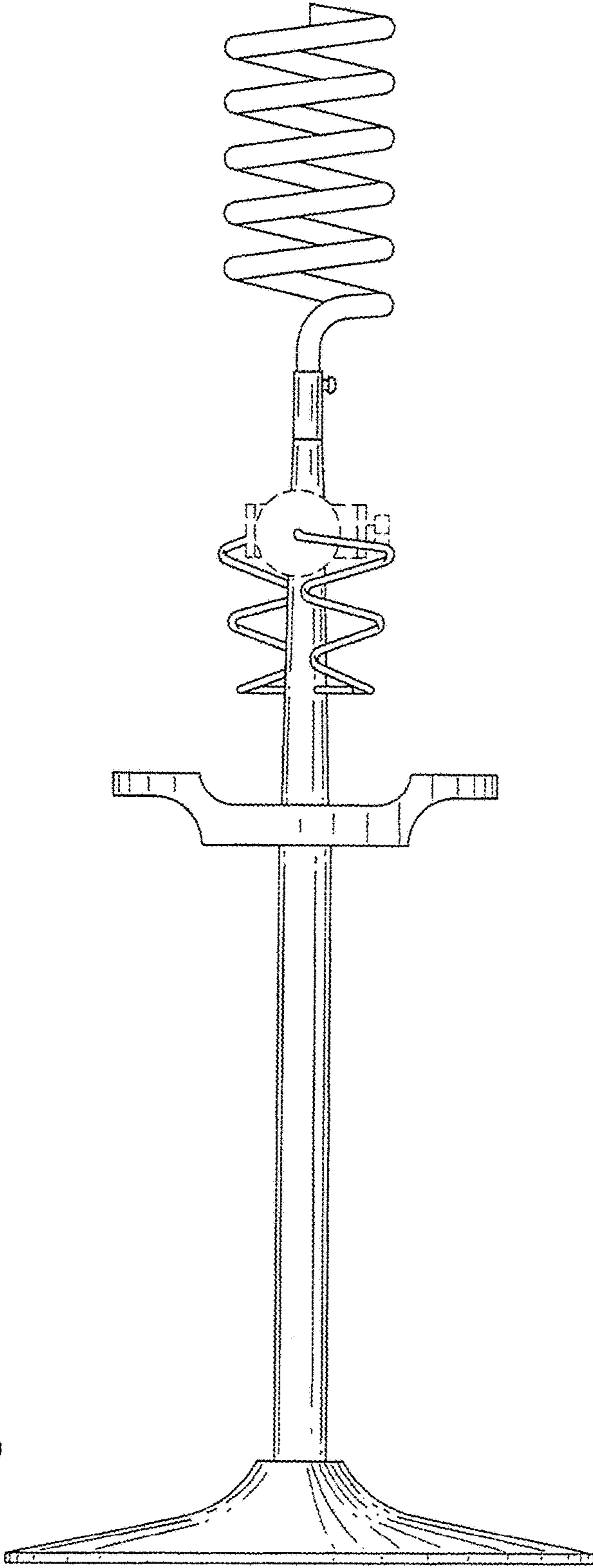


FIG.5

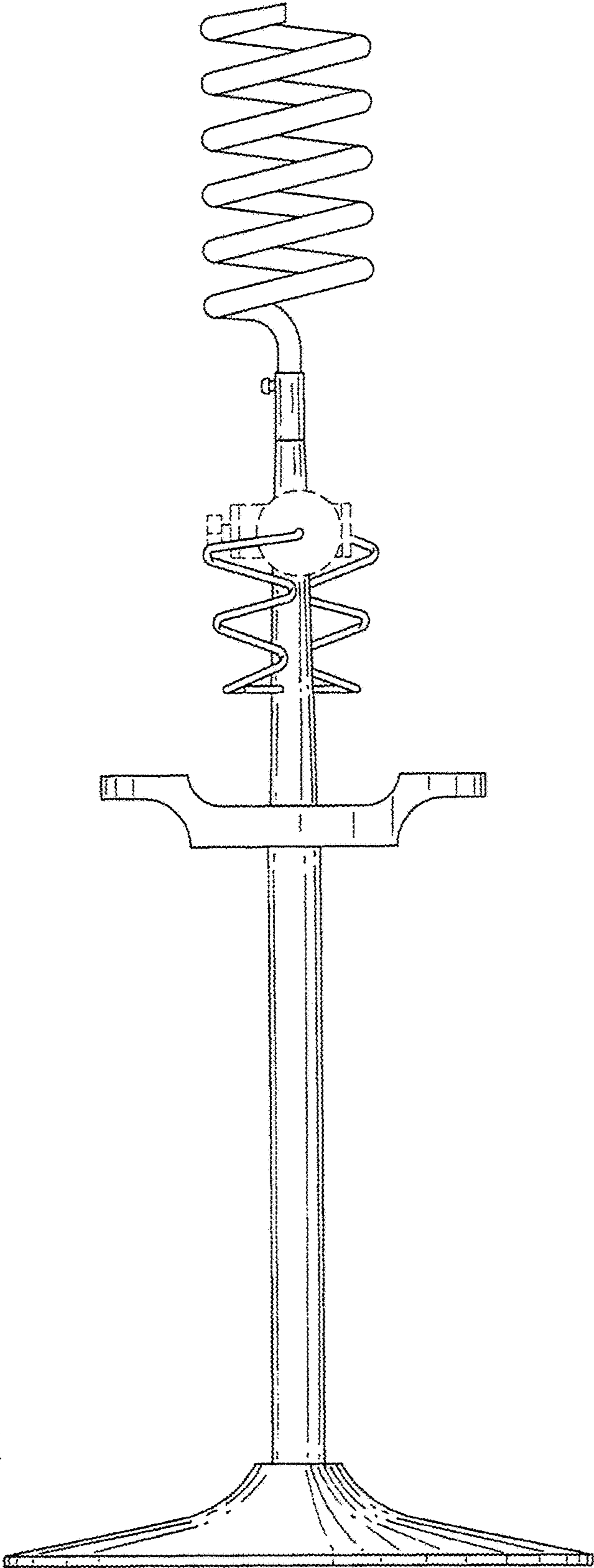


FIG.6

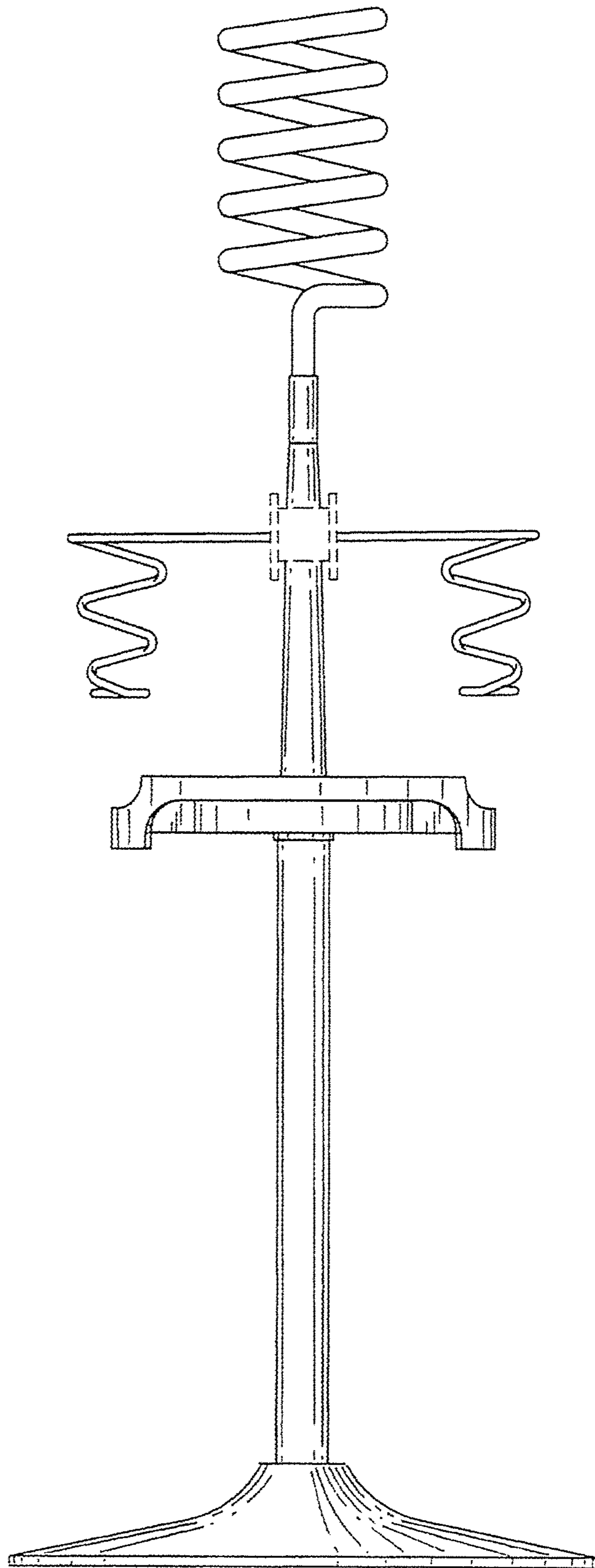


FIG. 7