



US00D779734S

(12) **United States Design Patent**  
**Love et al.**

(10) **Patent No.:** **US D779,734 S**  
(45) **Date of Patent:** **\*\* Feb. 21, 2017**

- (54) **FOOT SCRUBBER**
- (71) Applicants: **Robert Edward Love**, Lake Forest, CA (US); **Behrang F. Lahiji**, Mission Viejo, CA (US)
- (72) Inventors: **Robert Edward Love**, Lake Forest, CA (US); **Behrang F. Lahiji**, Mission Viejo, CA (US)
- (73) Assignees: **Robert Edward Love**, Lake Forest, CA (US); **Behrang F. Lahiji**, Mission Viejo, CA (US)
- (\*\*) Term: **14 Years**
- (21) Appl. No.: **29/469,082**
- (22) Filed: **Oct. 7, 2013**
- (51) **LOC (10) Cl.** ..... **28-03**
- (52) **U.S. Cl.**  
USPC ..... **D28/63**
- (58) **Field of Classification Search**  
USPC .. D28/63; D32/47; 4/559, 605, 606; 15/160, 15/161; 601/136, 27, 138  
CPC ..... A46B 17/02; A61H 7/00; A61H 7/002; A61H 2205/08; A61H 2205/081; A61H 2205/12; A61H 35/006; A47K 7/00; A47K 7/02; A47K 7/022; A47K 7/026; A47K 7/028; A47K 7/03; A47L 23/00; A47L 23/02; A47L 23/16; A47L 23/22  
See application file for complete search history.

- 4,532,668 A \* 8/1985 Slonicki ..... A47K 7/026 15/104.92
- D326,931 S \* 6/1992 Tomsick ..... D28/63
- D343,476 S \* 1/1994 Tomsick ..... D28/63
- 6,499,171 B2 \* 12/2002 Nappi, Sr. .... A47L 23/02 15/112
- 6,733,595 B1 \* 5/2004 Grillo ..... A47K 7/026 134/6
- 7,266,857 B1 \* 9/2007 Mezyed ..... A47K 7/026 15/104.92

(Continued)

*Primary Examiner* — Robert M Spear  
*Assistant Examiner* — John Voytek  
(74) *Attorney, Agent, or Firm* — Rutan & Tucker LLP;  
Hani Z. Sayed

(57) **CLAIM**

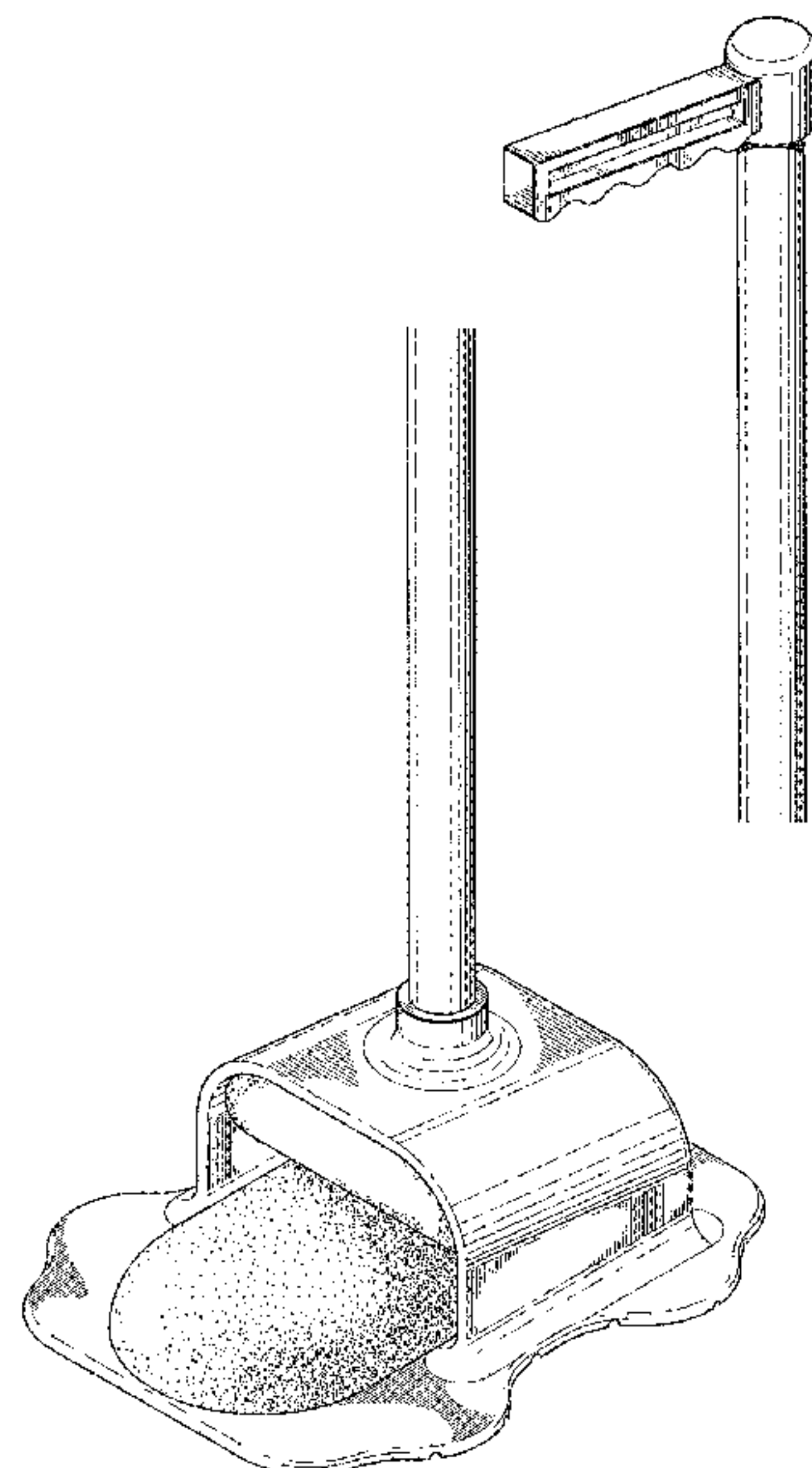
The ornamental design for foot scrubber, as shown and described.

**DESCRIPTION**

FIG. 1 is a top, front, ride side, perspective view of the present invention;  
FIG. 2 is front elevation view of the present invention;  
FIG. 3 is a left side elevation view, the right side elevation being mirror image of the present invention;  
FIG. 4 is a rear elevation view;  
FIG. 5 is a top plan view of the present invention;  
FIG. 6 is a bottom plan view of the present invention; and,  
FIG. 7 is a top, front, ride side to illustrate the lower pad ends of FIG. 1 of the present invention.  
The cylindrical pole section of the scrubber is cut in half and separated for the purpose of fitting an entire view on as single sheet, it being understood the length of the pole section is equal to the sum of the two halves shown.

**1 Claim, 6 Drawing Sheets**

- (56) **References Cited**  
U.S. PATENT DOCUMENTS  
3,276,060 A \* 10/1966 Stokes, Jr. et al. .. A61H 35/006 15/21.1  
3,548,439 A \* 12/1970 Berst ..... A47K 7/026 15/104.92



(56)

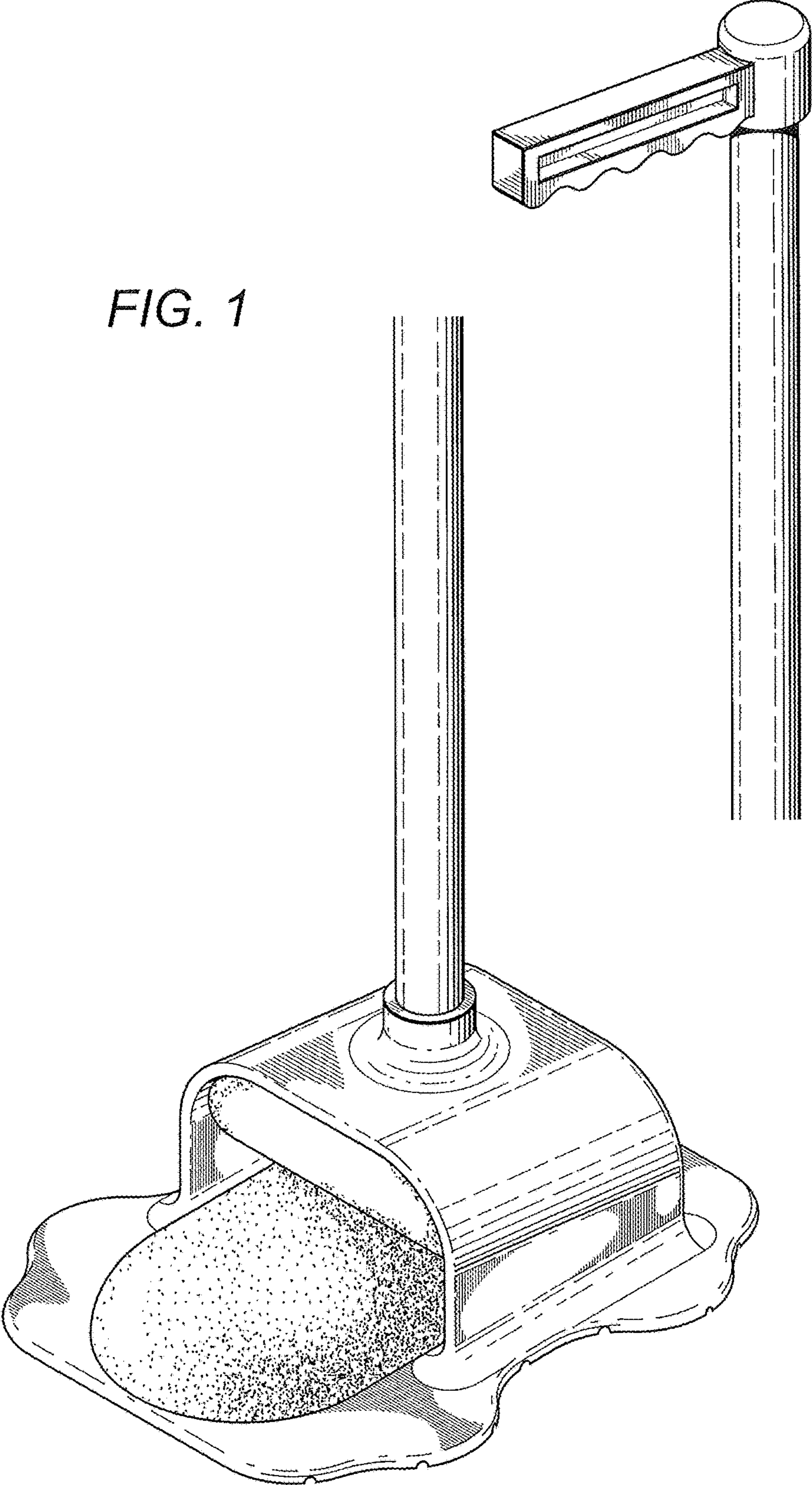
**References Cited**

U.S. PATENT DOCUMENTS

2010/0088816 A1\* 4/2010 Rollins ..... A47K 7/026  
4/568  
2011/0219561 A1\* 9/2011 Tran ..... A47K 7/026  
15/244.1

\* cited by examiner

FIG. 1



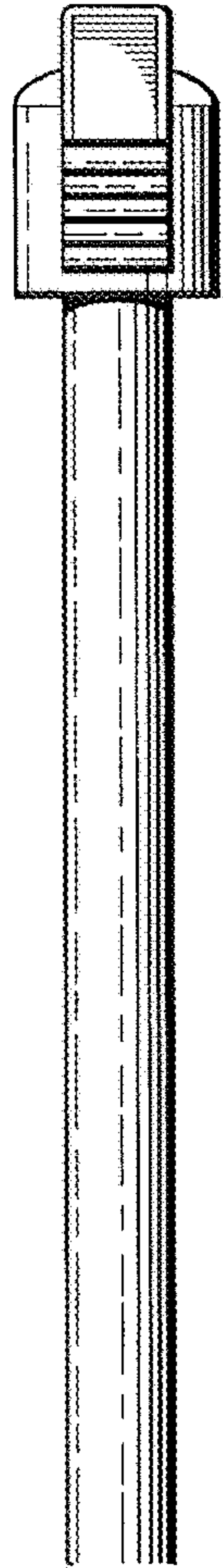
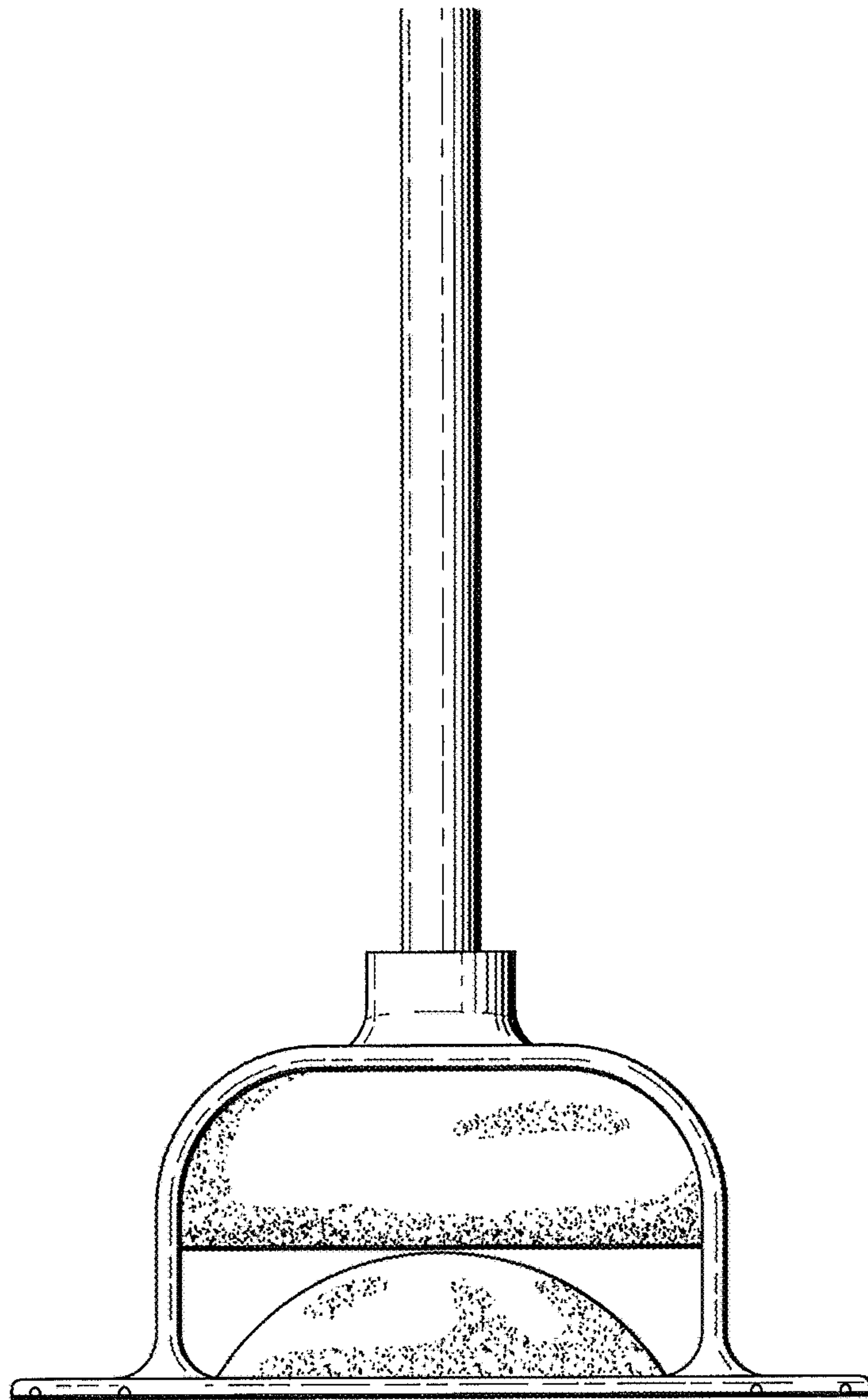


FIG. 2





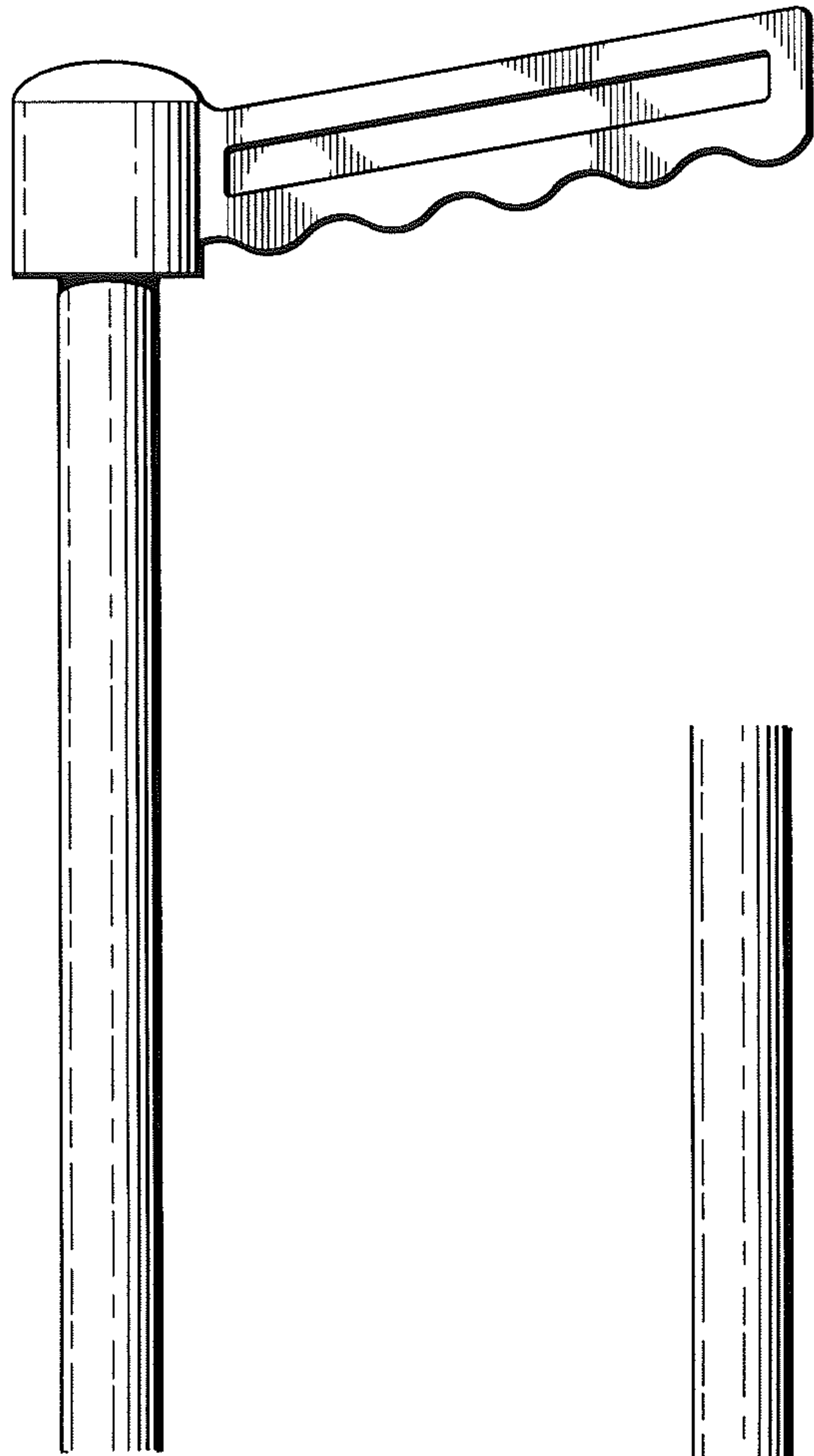


FIG. 3

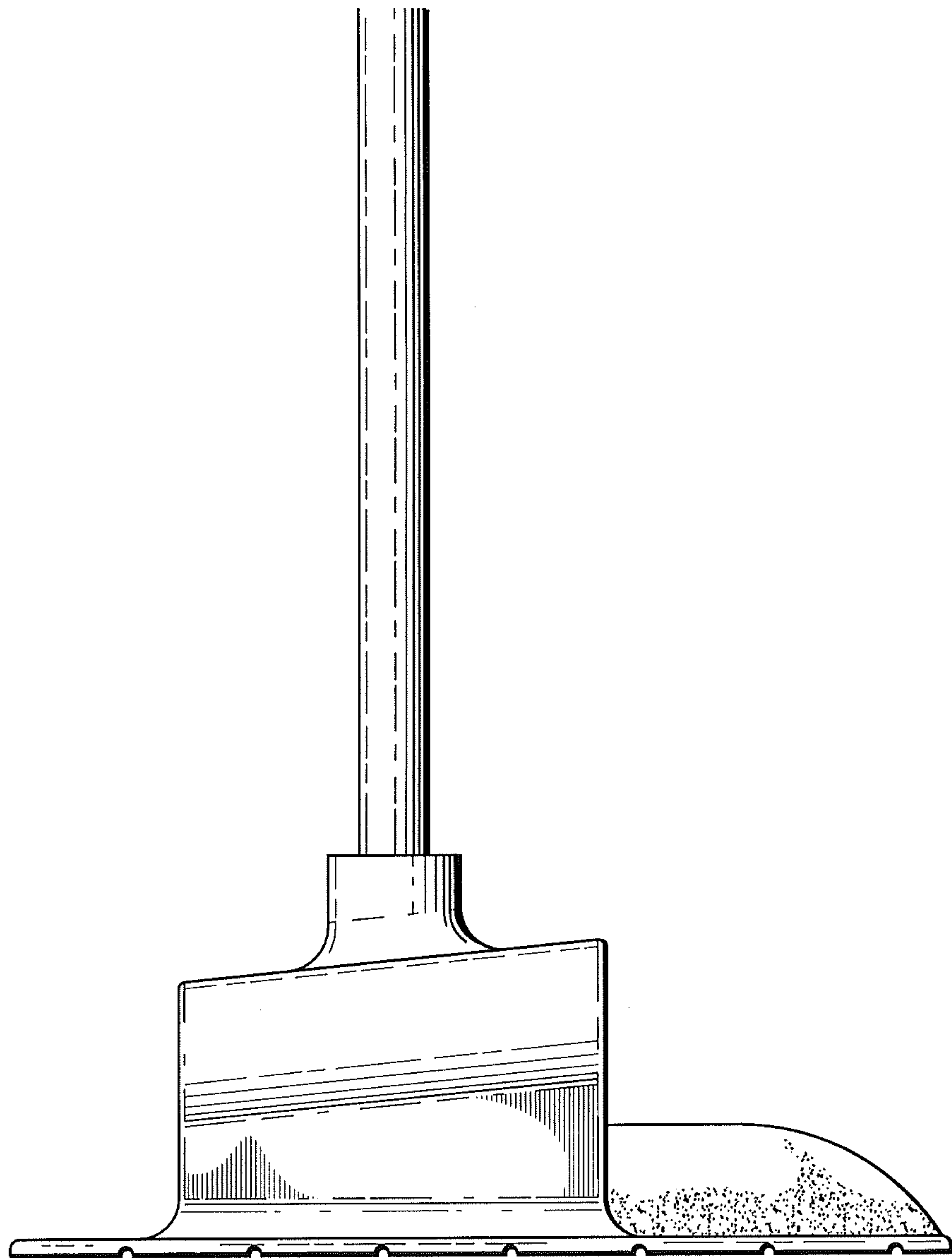
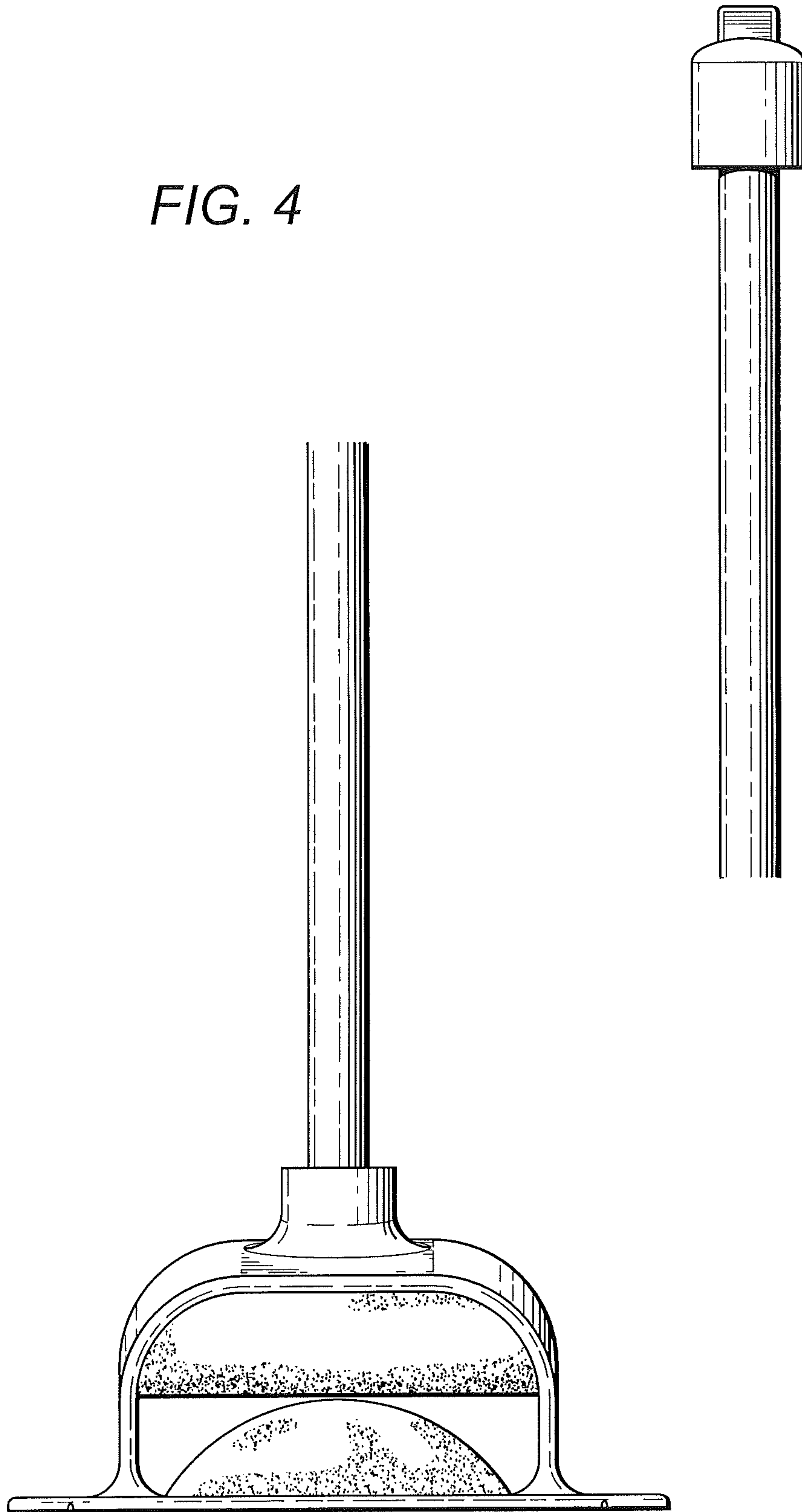


FIG. 4



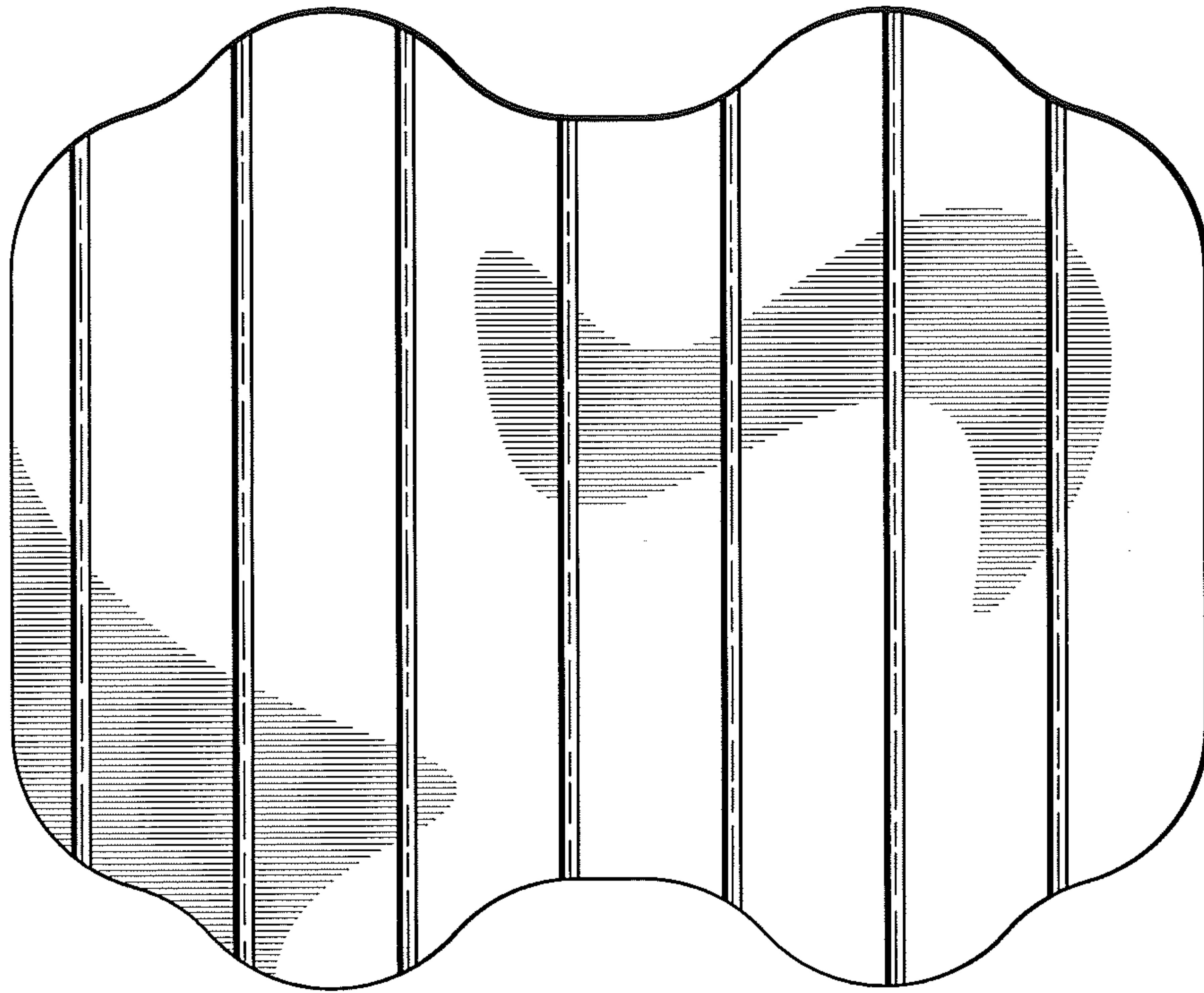


FIG. 6

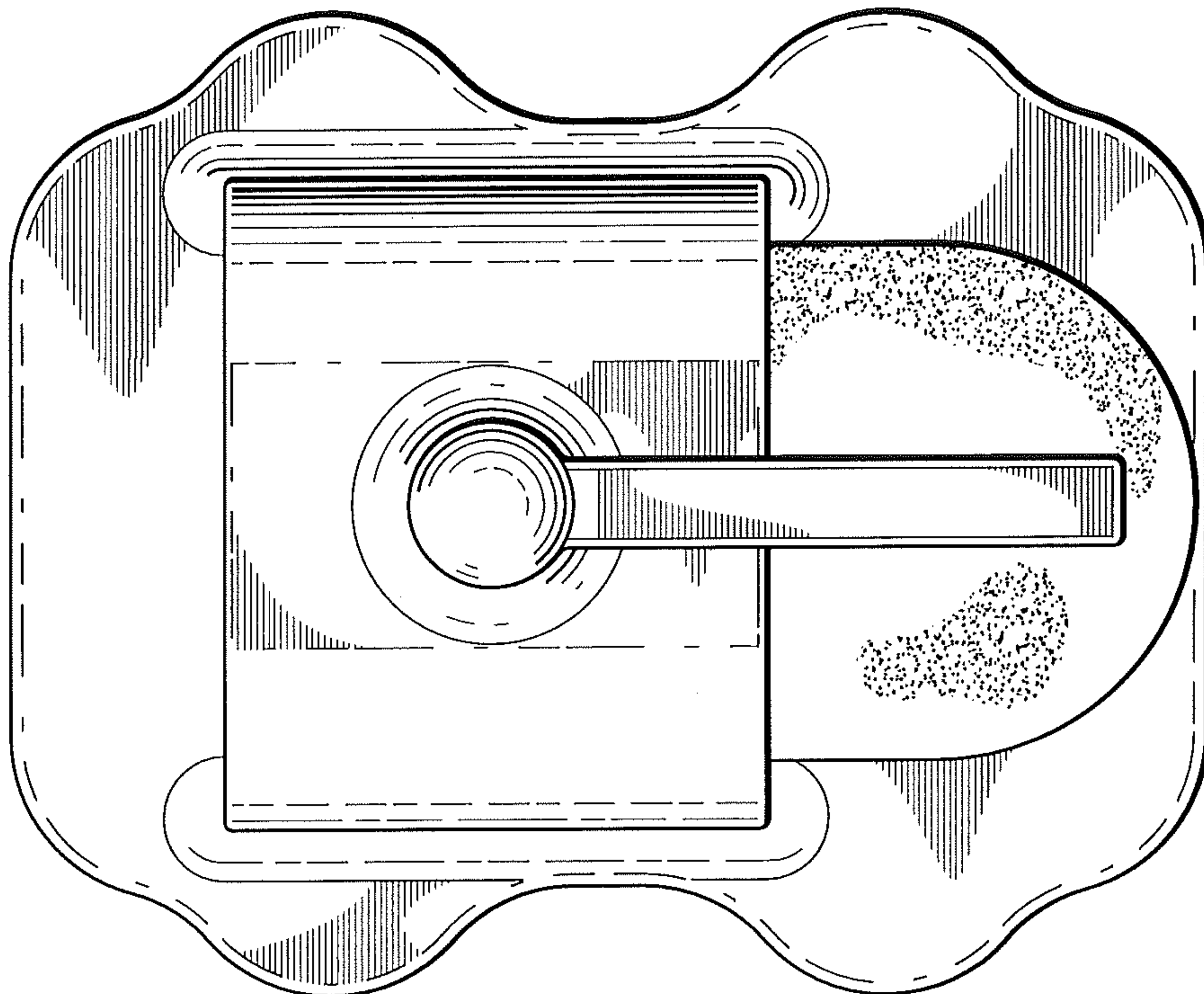


FIG. 5

FIG. 7

