



US00D779731S

(12) **United States Design Patent** (10) **Patent No.:** **US D779,731 S**
Bruno et al. (45) **Date of Patent:** **** *Feb. 21, 2017**

(54) **RAZOR CARTRIDGE**

21/4081-21/4093; B26B 21/443

See application file for complete search history.

(71) Applicant: **The Gillette Company**, Boston, MA (US)

(56) **References Cited**

(72) Inventors: **Michael Hal Bruno**, Burlington, MA (US); **Matthew Michael Long**, Methuen, MA (US); **Christopher Ramm**, North Attleboro, MA (US); **Alexander Stephen Forti**, Dedham, MA (US); **Jessy Lee Cusack**, Newton, MA (US); **Neil Lettenberger**, Boston, MA (US); **Shrikant Prasad Pattnaik**, Quincy, MA (US)

U.S. PATENT DOCUMENTS

- 8,286,354 B2 * 10/2012 Walker, Jr. B26B 21/225 30/32
 - 8,448,338 B2 * 5/2013 Sherman B26B 21/4018 30/34.05
 - 8,448,339 B2 * 5/2013 Walker, Jr. B26B 21/4031 30/47
 - 8,726,518 B2 * 5/2014 Bruno B26B 21/222 30/34.2
 - D737,511 S * 8/2015 Lettenberger D28/47
- (Continued)

(73) Assignee: **The Gillette Company**, Boston, MA (US)

OTHER PUBLICATIONS

Schick Hydro Microcontroller powered wet razor, reviewed May 16, 2012, 1 page.*

(*) Notice: This patent is subject to a terminal disclaimer.

Primary Examiner — Jennifer Rivard

(**) Term: **14 Years**

(74) *Attorney, Agent, or Firm* — Joanne N. Pappas; Kevin C. Johnson; Steven W. Miller

(21) Appl. No.: **29/525,465**

(57) **CLAIM**

The ornamental design for a razor cartridge, as shown and described.

(22) Filed: **Apr. 29, 2015**

(51) **LOC (10) Cl.** **28-03**

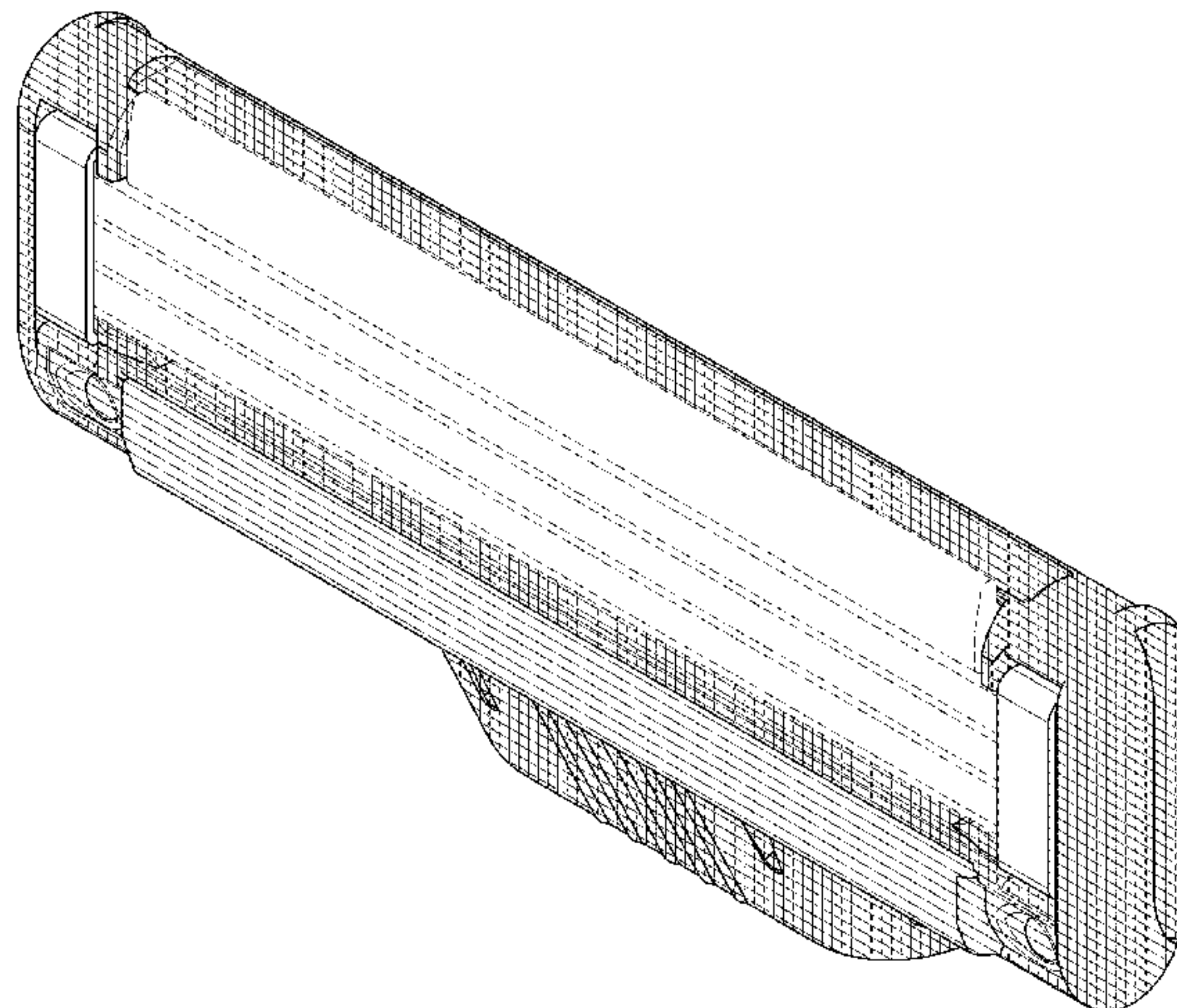
(52) **U.S. Cl.**
USPC **D28/47**

DESCRIPTION

(58) **Field of Classification Search**
USPC D28/46-48
CPC B62B 21/00-21/12; B62B 21/14; B62B 21/165; B62B 21/18; B62B 21/24; B62B 21/30; B62B 21/32; B62B 21/40; B62B 21/4062; B62B 21/4068; B62B 21/4075; B62B 21/52-21/528; B26B 21/16; B26B 21/185; B26B 21/20-21/227; B26B 21/28; B26B 21/4012-21/4025; B26B

FIG. 1 is a perspective view of a design for a razor cartridge of the present invention;
FIG. 2 is a front view thereof;
FIG. 3 is a back view thereof;
FIG. 4 is a top view thereof;
FIG. 5 is a bottom view thereof;
FIG. 6 is a left side view thereof;
FIG. 7 is a right side view thereof; and,
FIG. 8 is another perspective view thereof.
The razor cartridge housing is lined for the color black and the guard area is lined for the color blue.

(Continued)



The broken lines illustrate portions of the razor cartridge and form no part of the claimed design.

1 Claim, 6 Drawing Sheets

(56)

References Cited

U.S. PATENT DOCUMENTS

D737,513 S *	8/2015	Lettenberger	D28/47
D741,008 S *	10/2015	Bruno	D28/47
D741,009 S *	10/2015	Bruno	D28/47
D741,011 S *	10/2015	Forti	D28/47
D741,013 S *	10/2015	Witkus	D28/47
D741,546 S *	10/2015	Witkus	D28/47
9,308,657 B2 *	4/2016	Bruno	B26B 21/222

* cited by examiner

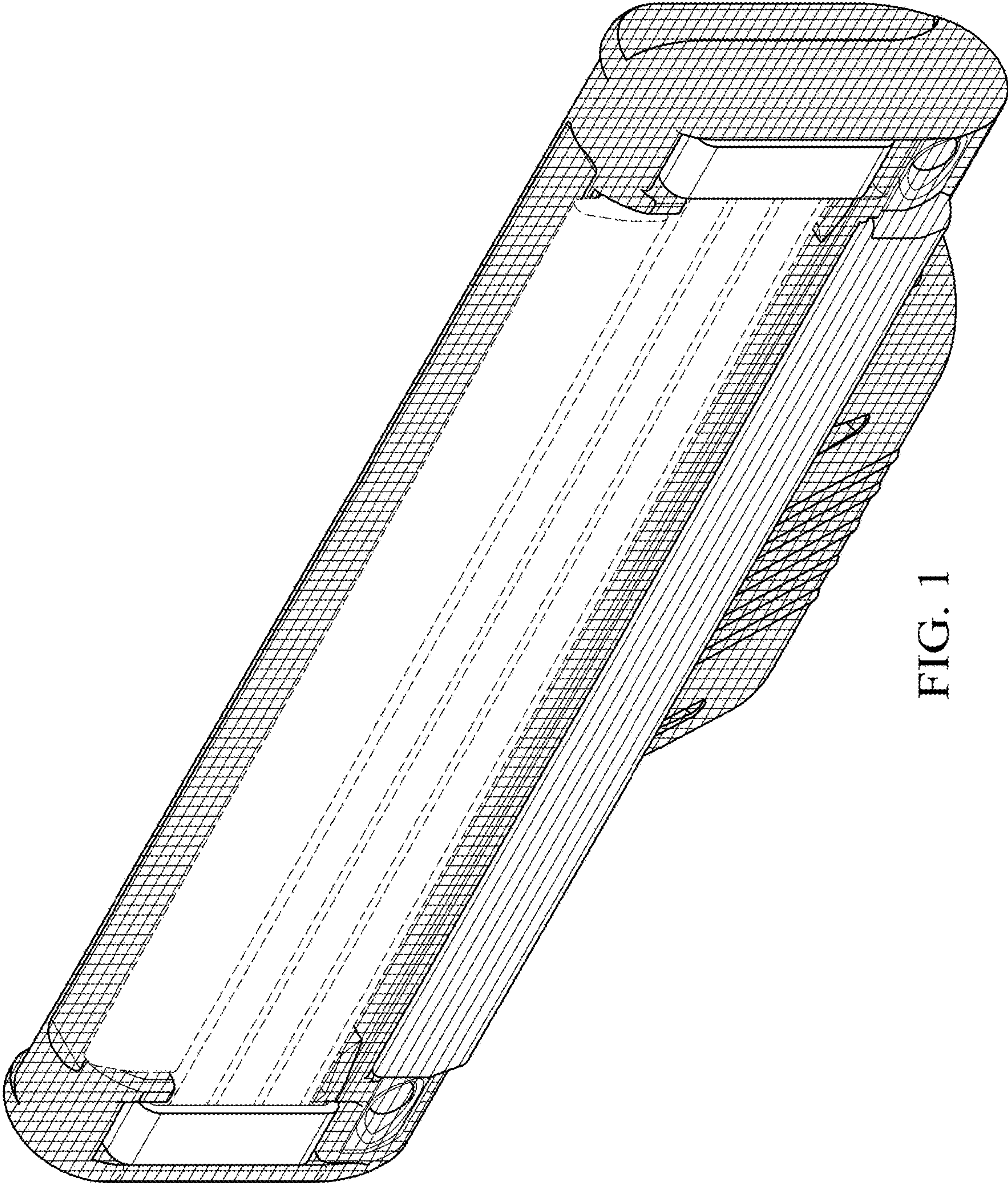


FIG. 1

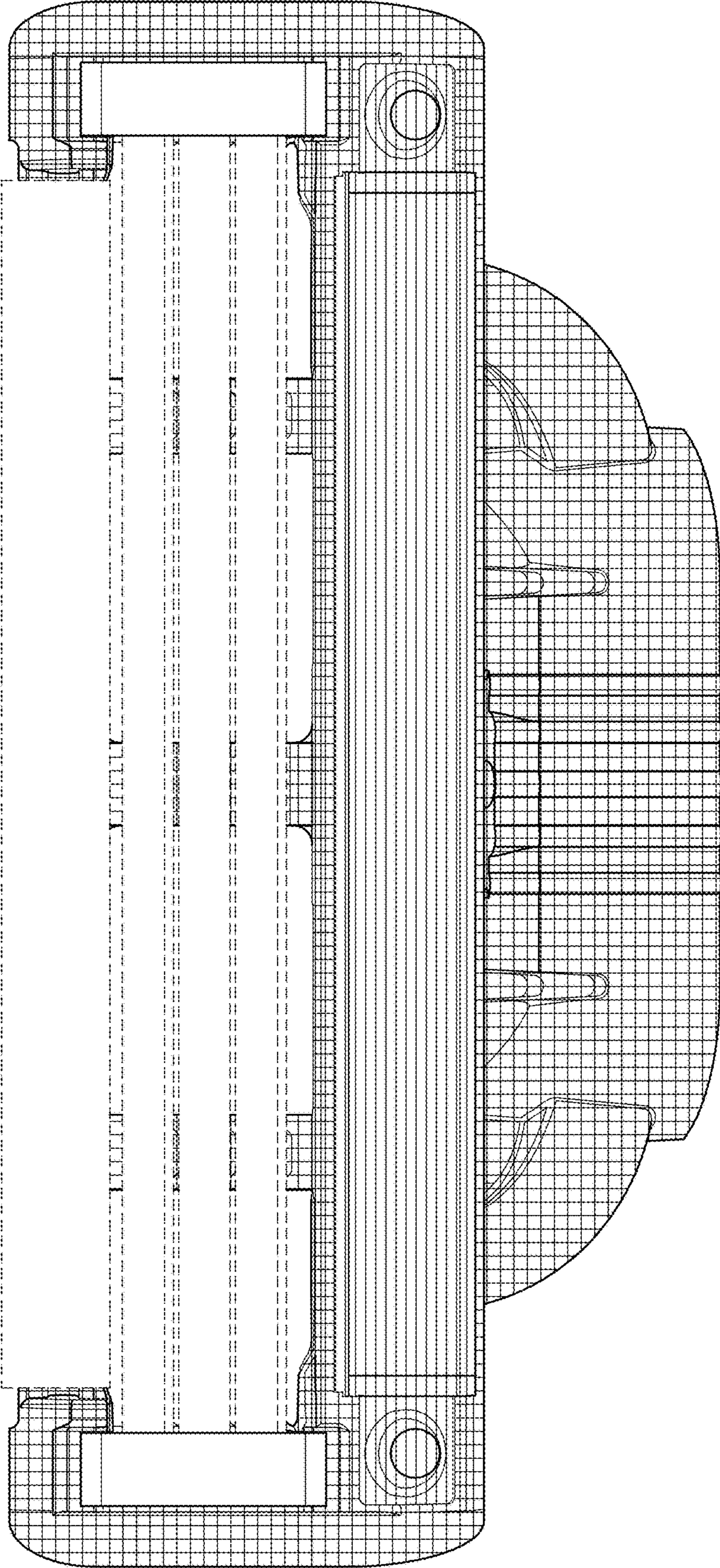


FIG. 2

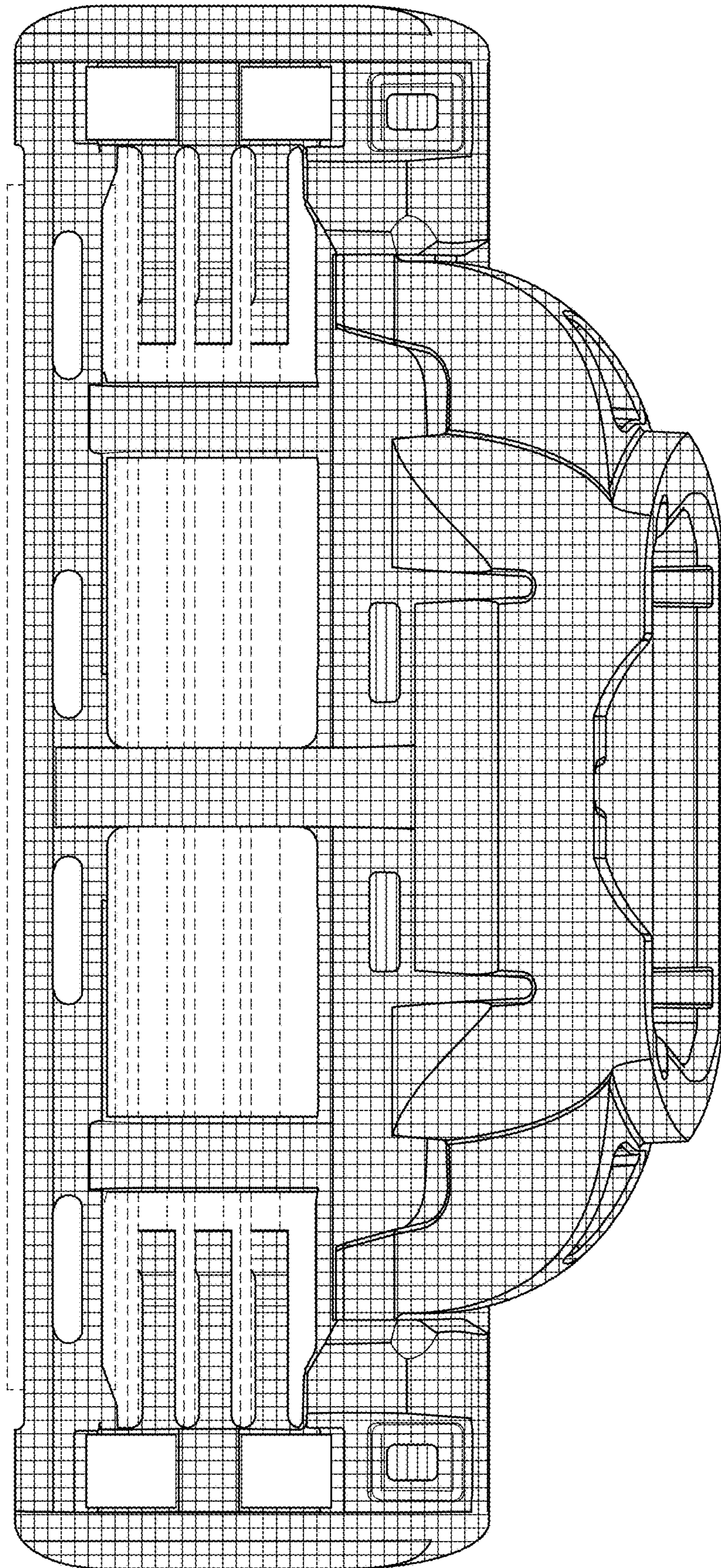


FIG. 3

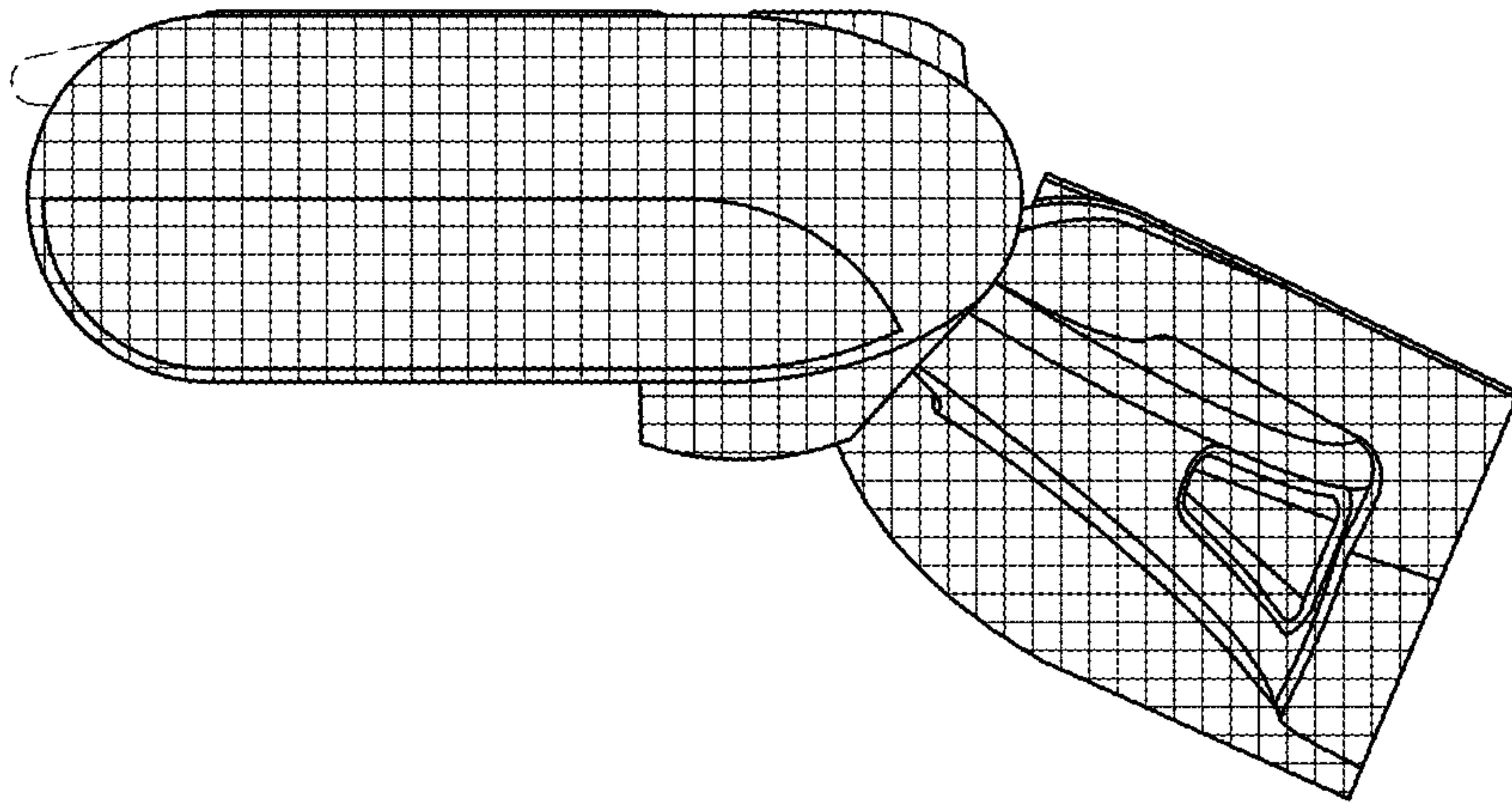


FIG. 5

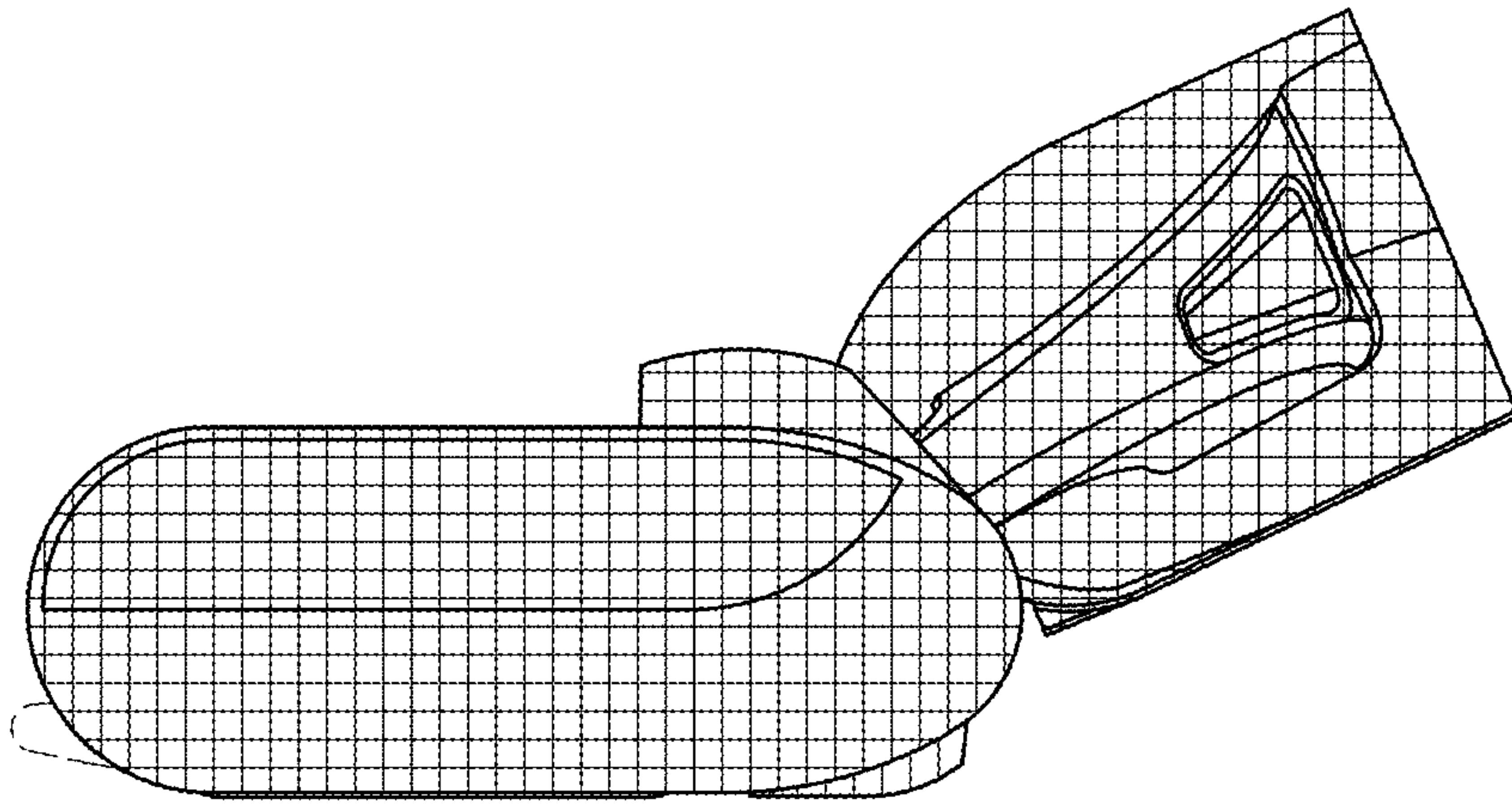


FIG. 4

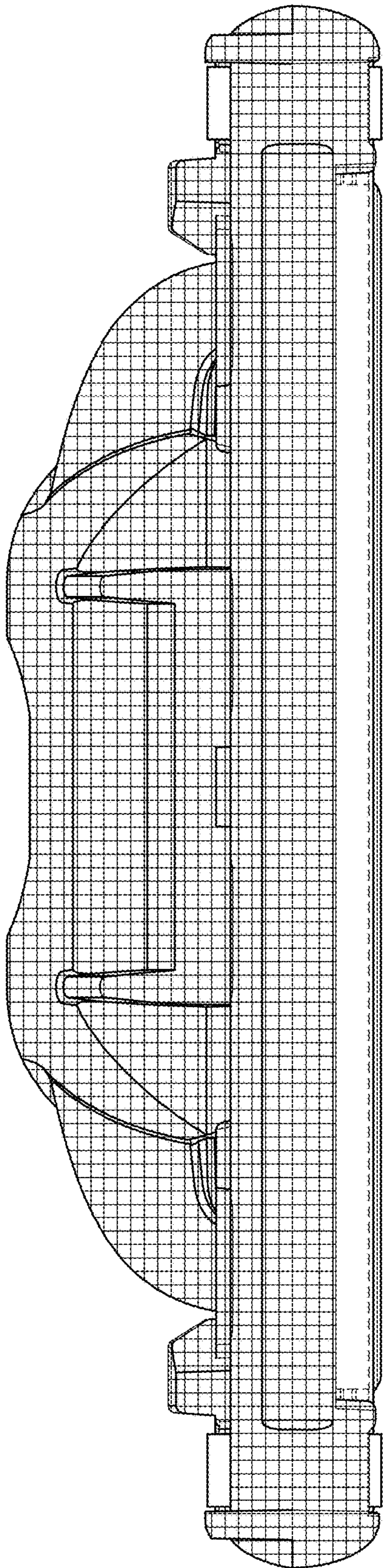


FIG. 6

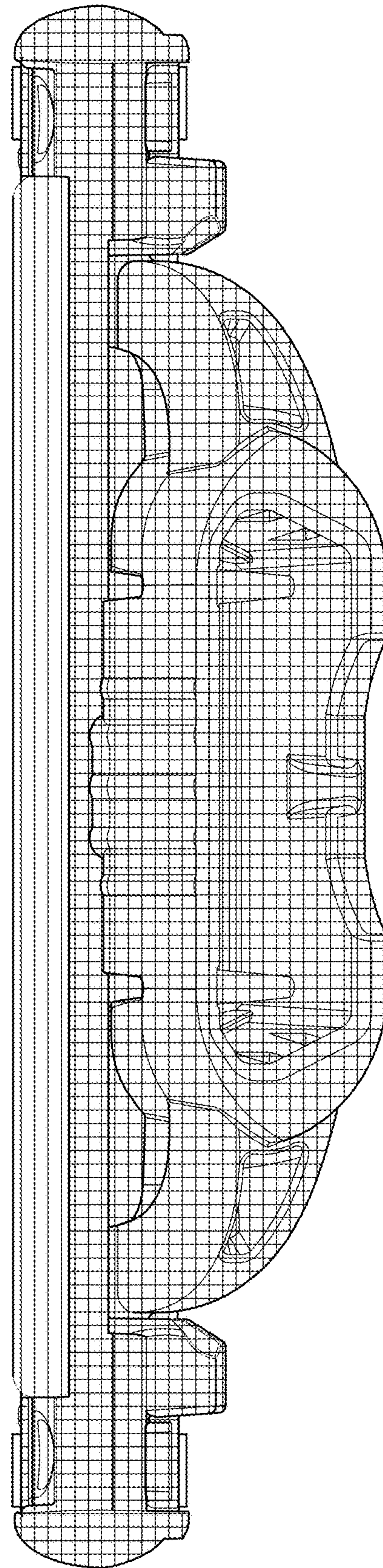


FIG. 7

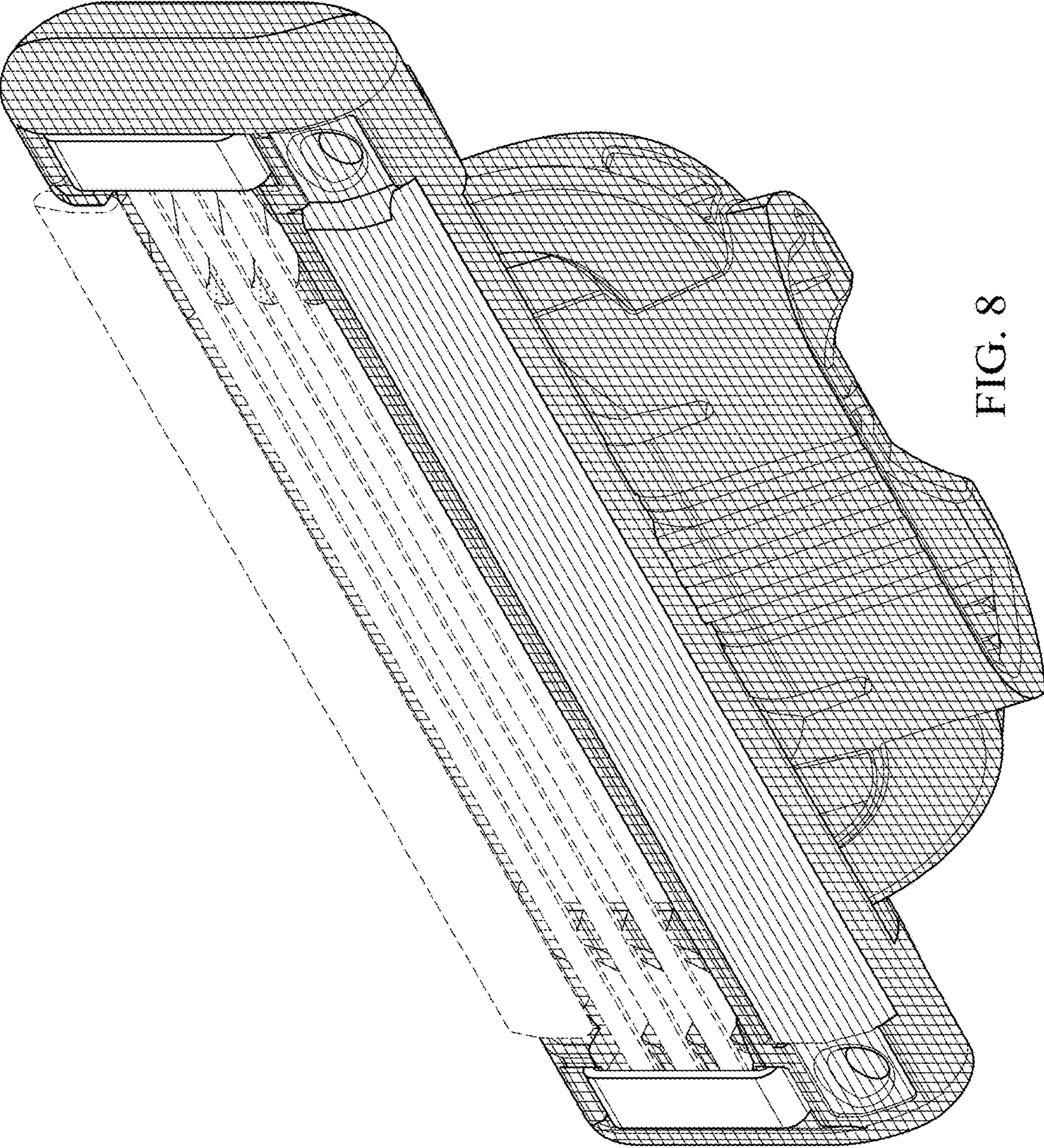


FIG. 8