



US00D779730S

(12) **United States Design Patent** (10) **Patent No.:** **US D779,730 S**
Bruno et al. (45) **Date of Patent:** **** *Feb. 21, 2017**

(54) **RAZOR CARTRIDGE**

- (71) Applicant: **The Gillette Company**, Boston, MA (US)
- (72) Inventors: **Michael Hal Bruno**, Burlington, MA (US); **Matthew Michael Long**, Methuen, MA (US); **Christopher Ramm**, North Attleboro, MA (US); **Alexander Stephen Forti**, Dedham, MA (US); **Jessy Lee Cusack**, Newton, MA (US); **Neil Lettenberger**, Boston, MA (US); **Shrikant Prasad Pattnaik**, Quincy, MA (US)
- (73) Assignee: **The Gillette Company**, Boston, MA (US)
- (*) Notice: This patent is subject to a terminal disclaimer.
- (**) Term: **14 Years**
- (21) Appl. No.: **29/525,061**
- (22) Filed: **Apr. 27, 2015**
- (51) **LOC (10) Cl.** **28-03**
- (52) **U.S. Cl.**
USPC **D28/47**
- (58) **Field of Classification Search**
USPC D28/46–48
CPC B62B 21/00–21/12; B62B 21/14; B62B 21/165; B62B 21/18; B62B 21/24; B62B 21/30; B62B 21/32; B62B 21/40; B62B 21/4062; B62B 21/4068; B62B 21/4075; B62B 21/52–21/528; B26B 21/16; B26B 21/185; B26B 21/20–21/227; B26B 21/28; B26B 21/4012–21/4025; B26B 21/4081–21/4093; B26B 21/443
- See application file for complete search history.

(56) **References Cited**

U.S. PATENT DOCUMENTS

- 8,286,354 B2 * 10/2012 Walker, Jr. B26B 21/225
30/32
- 8,448,338 B2 * 5/2013 Sherman B26B 21/4018
30/34.05
- 8,448,339 B2 * 5/2013 Walker, Jr. B26B 21/4031
30/47
- 8,726,518 B2 * 5/2014 Bruno B26B 21/222
30/34.2
- D737,511 S * 8/2015 Lettenberger D28/47
- D737,513 S * 8/2015 Lettenberger D28/47
- D741,008 S * 10/2015 Bruno D28/47

(Continued)

OTHER PUBLICATIONS

Gillete MACH3 Sensitive Cartridges 8 Count, www.Amazon.com, 1 page, downloaded Apr. 25, 2016, Reviewed Feb. 15, 2013.*

Primary Examiner — Jennifer Rivard

(74) *Attorney, Agent, or Firm* — Joanne N. Pappas; Kevin C. Johnson; Steven W. Miller

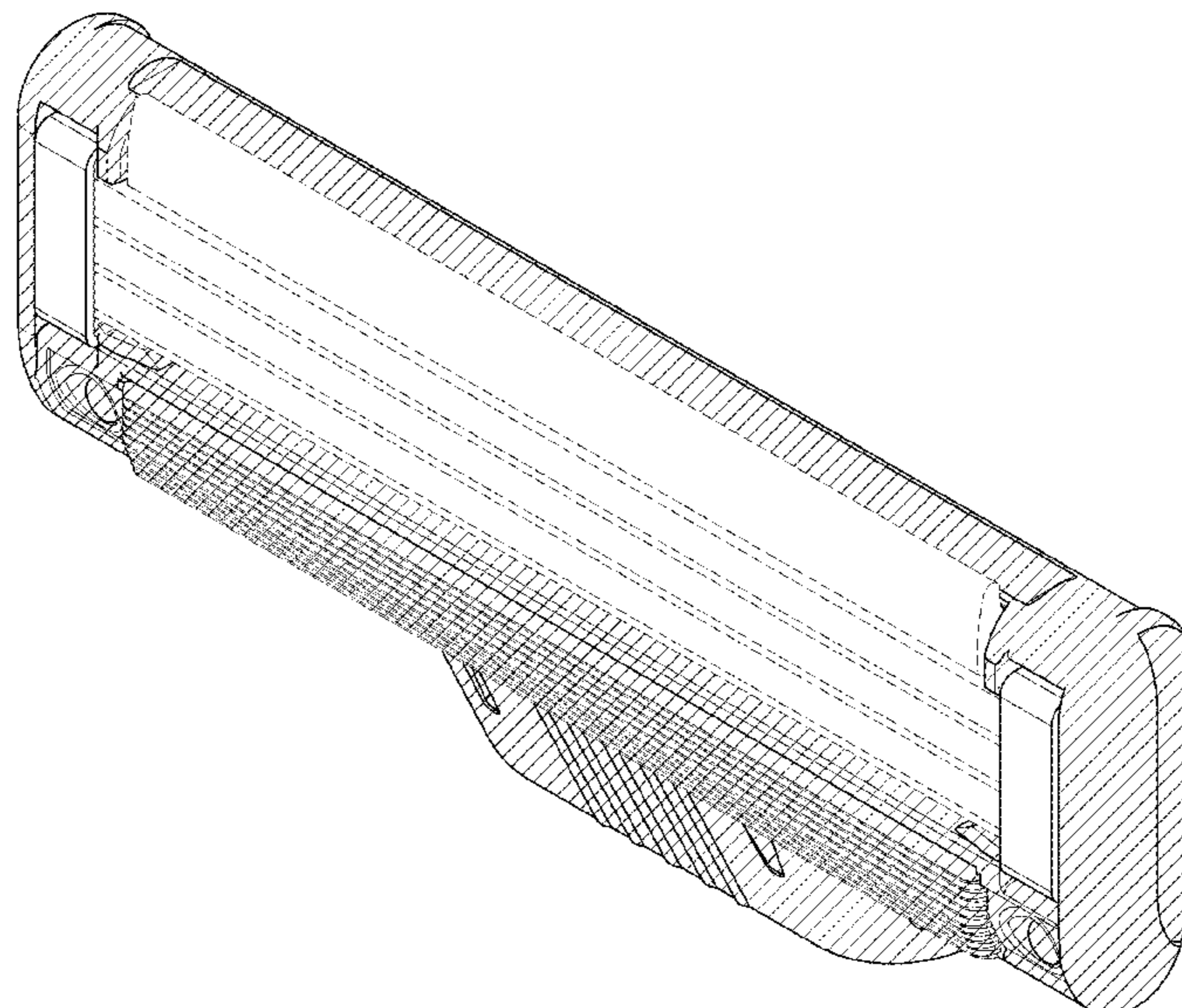
(57) **CLAIM**

The ornamental design for a razor cartridge, as shown and described.

DESCRIPTION

FIG. 1 is a perspective view of a design for a razor cartridge of the present invention;
 FIG. 2 is a front view thereof;
 FIG. 3 is a back view thereof;
 FIG. 4 is a top view thereof;
 FIG. 5 is a bottom view thereof;
 FIG. 6 is a left side view thereof;
 FIG. 7 is a right side view thereof; and,
 FIG. 8 is another perspective view thereof.
 The drawings are lined for the color green.
 The broken lines illustrate portions of the razor cartridge and form no part of the claimed design.

1 Claim, 6 Drawing Sheets



(56)

References Cited

U.S. PATENT DOCUMENTS

D741,009 S * 10/2015 Bruno D28/47
D741,011 S * 10/2015 Forti D28/47
D741,013 S * 10/2015 Witkus D28/47
D741,546 S * 10/2015 Witkus D28/47
9,308,657 B2 * 4/2016 Bruno B26B 21/222

* cited by examiner

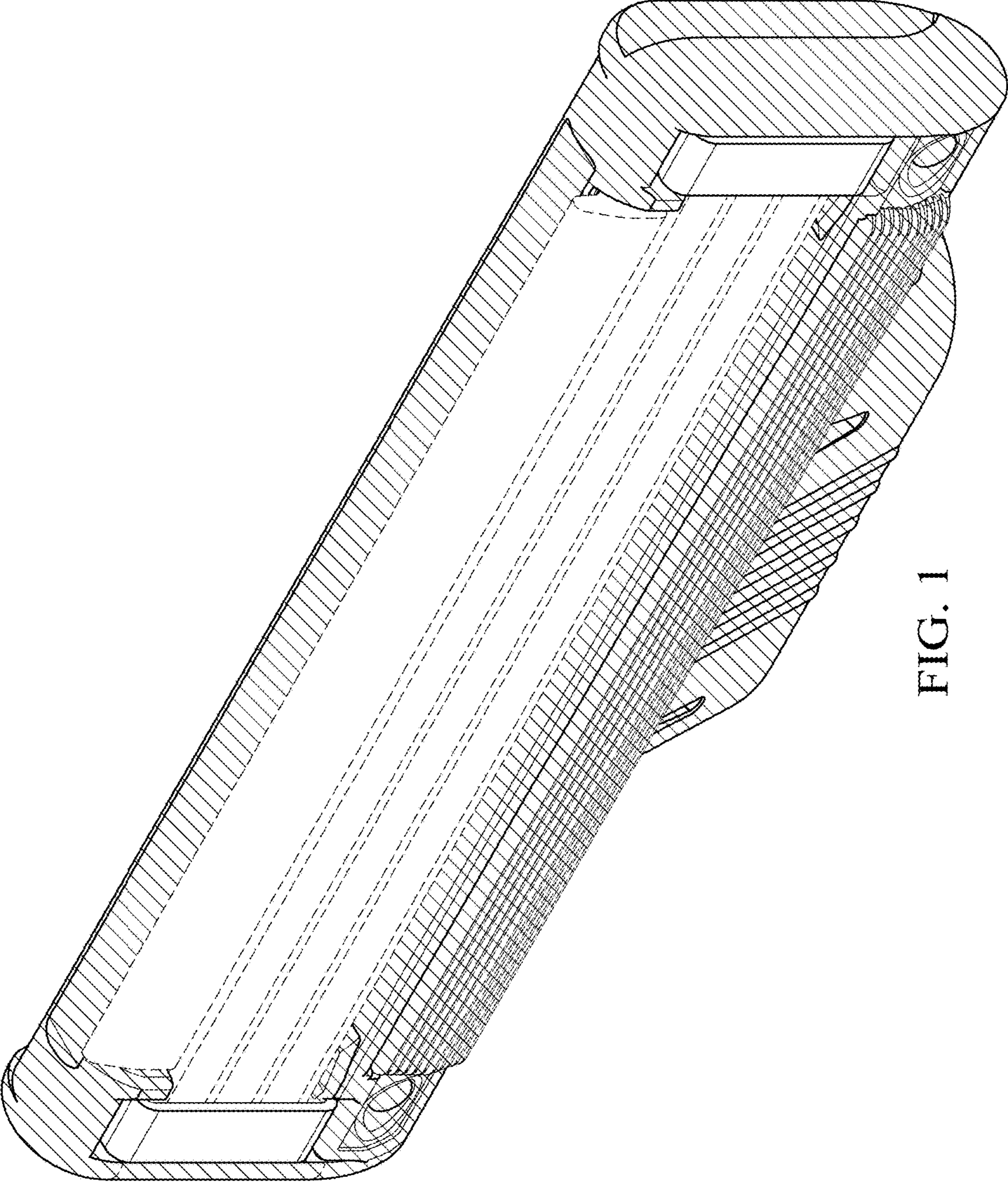


FIG. 1

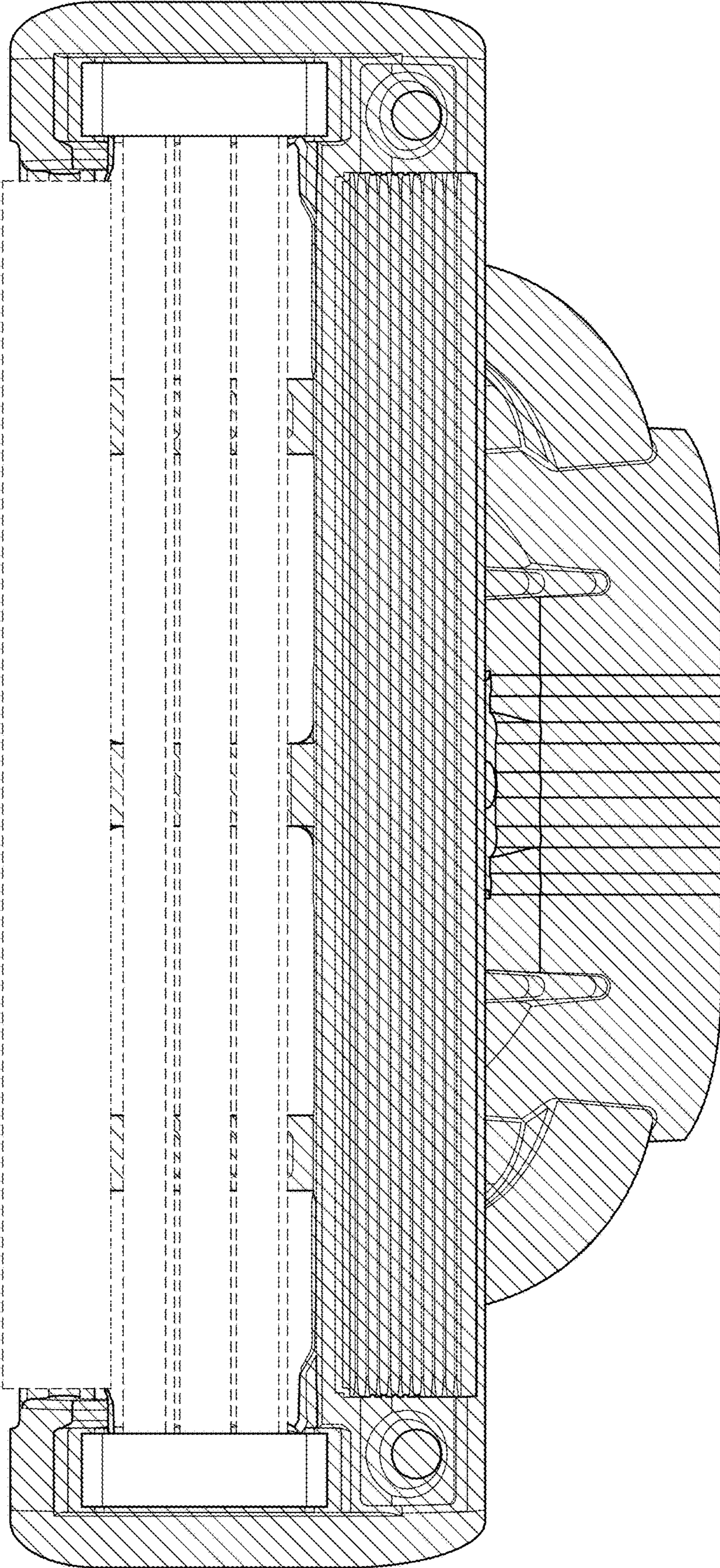


FIG. 2

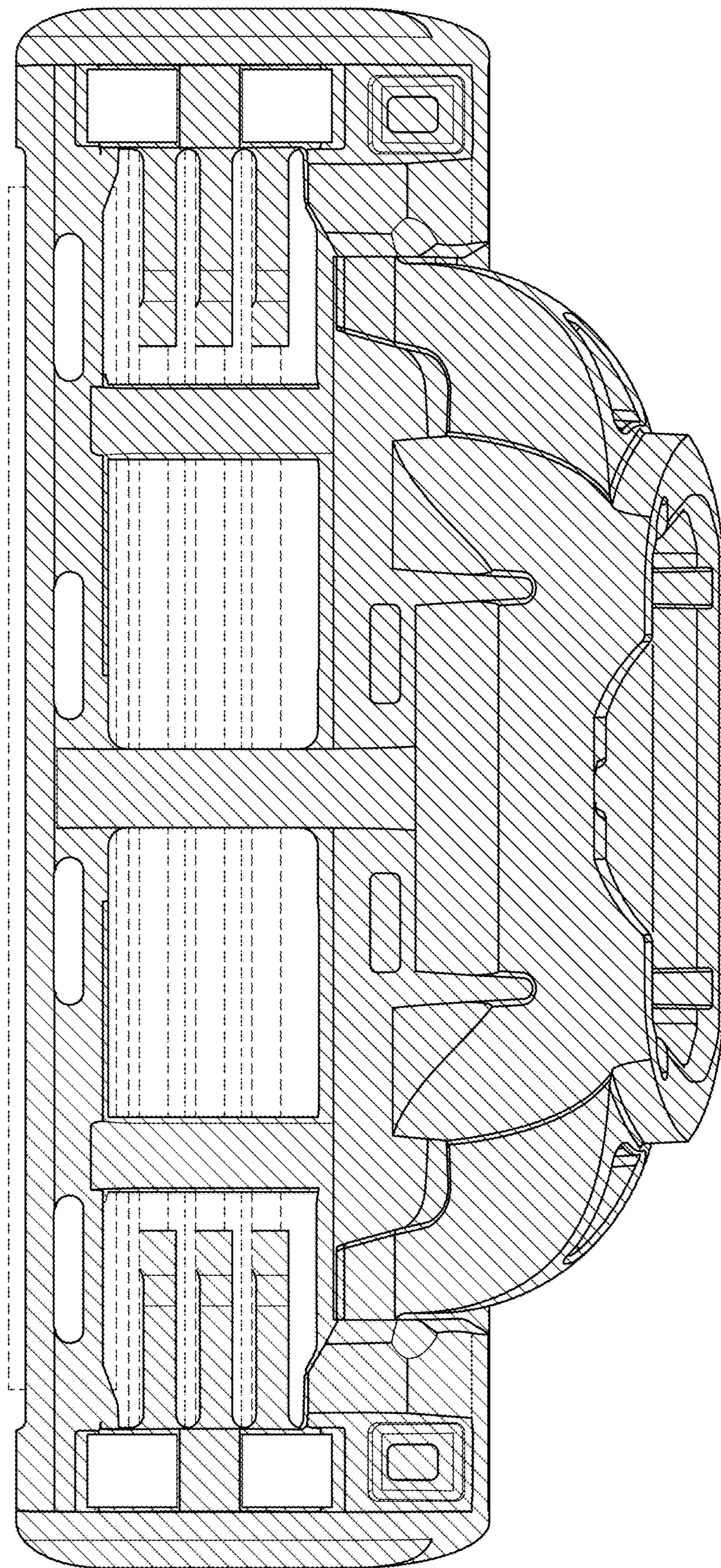


FIG. 3

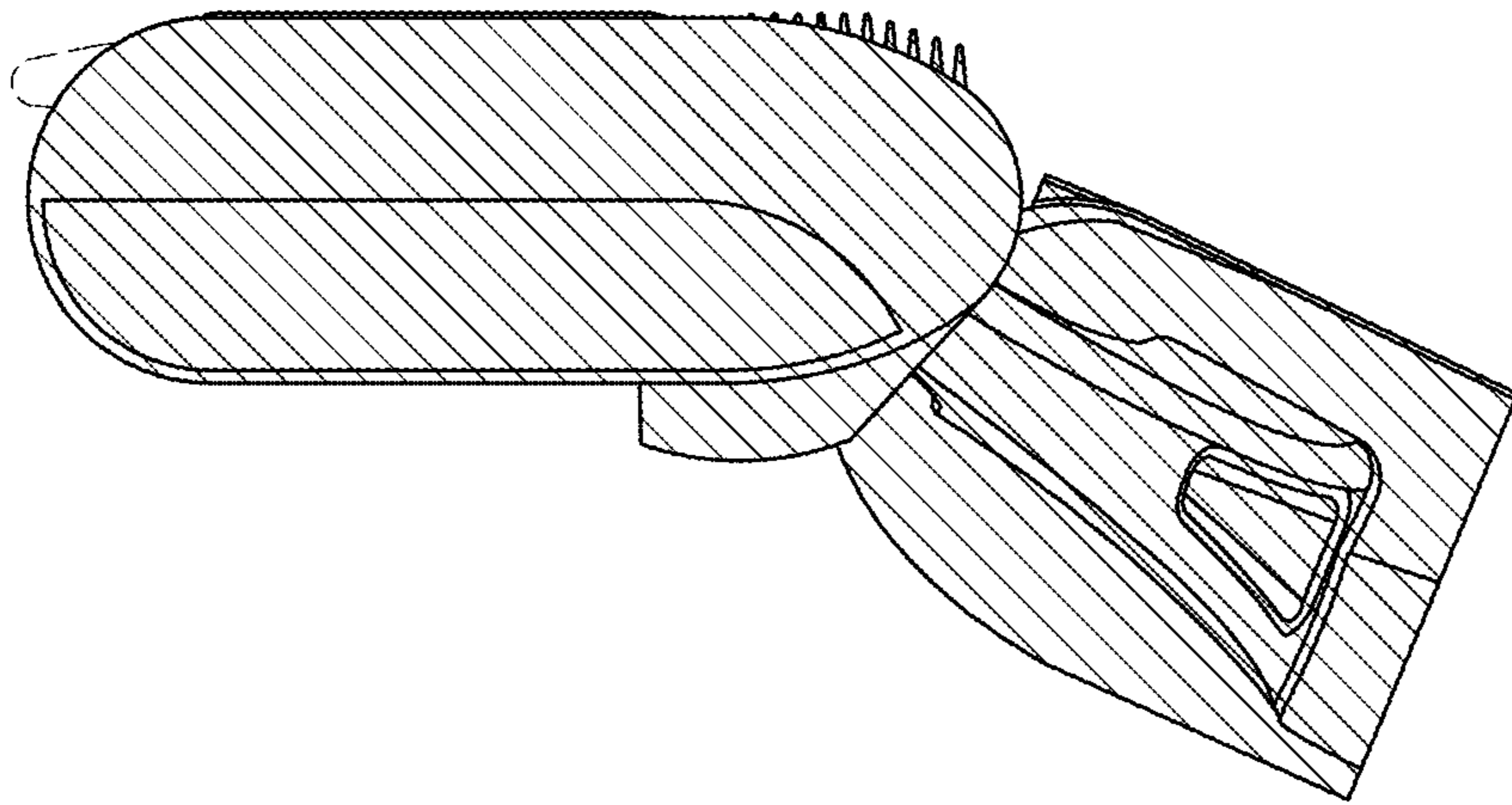


FIG. 5

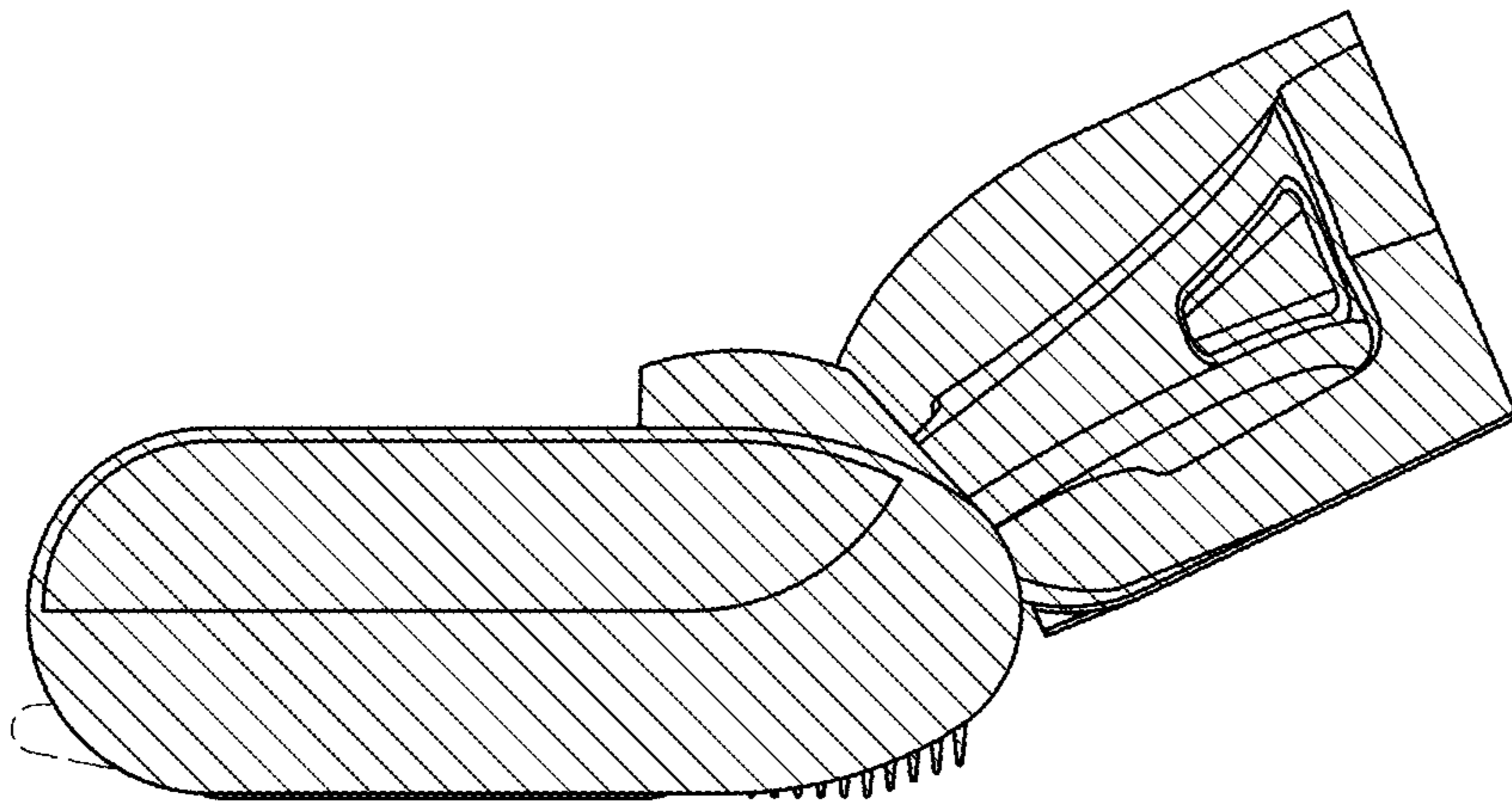


FIG. 4

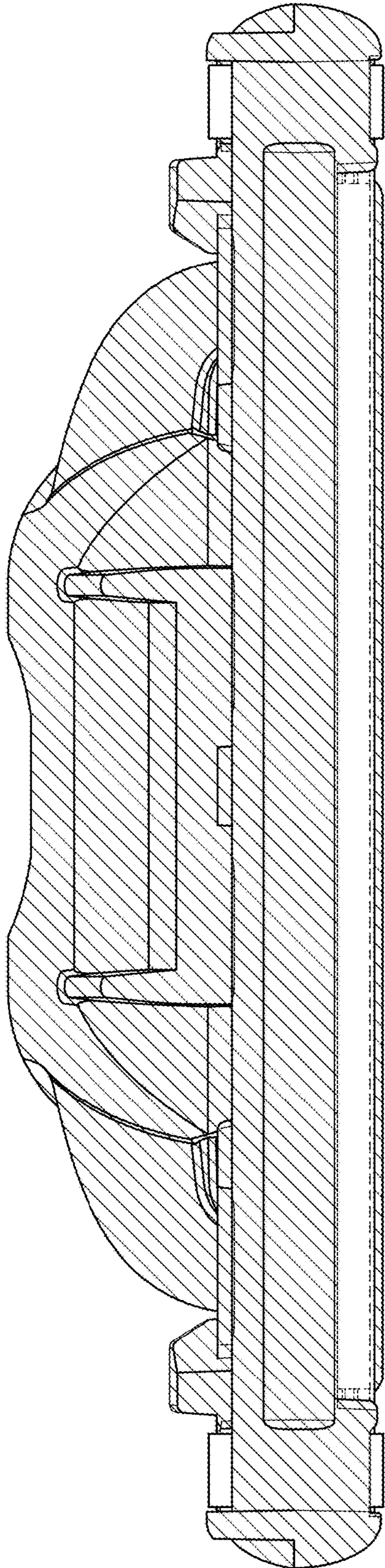


FIG. 6

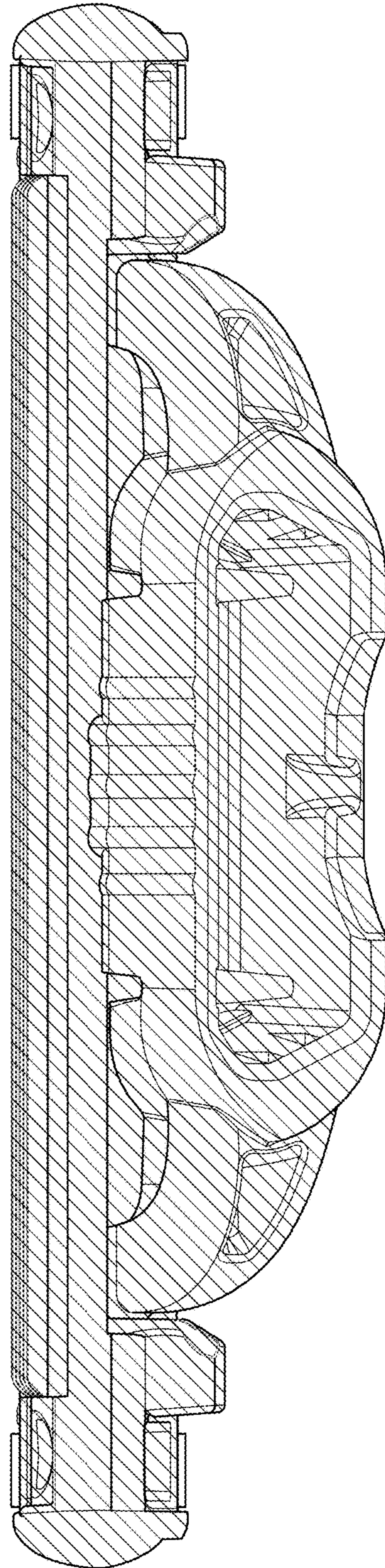


FIG. 7

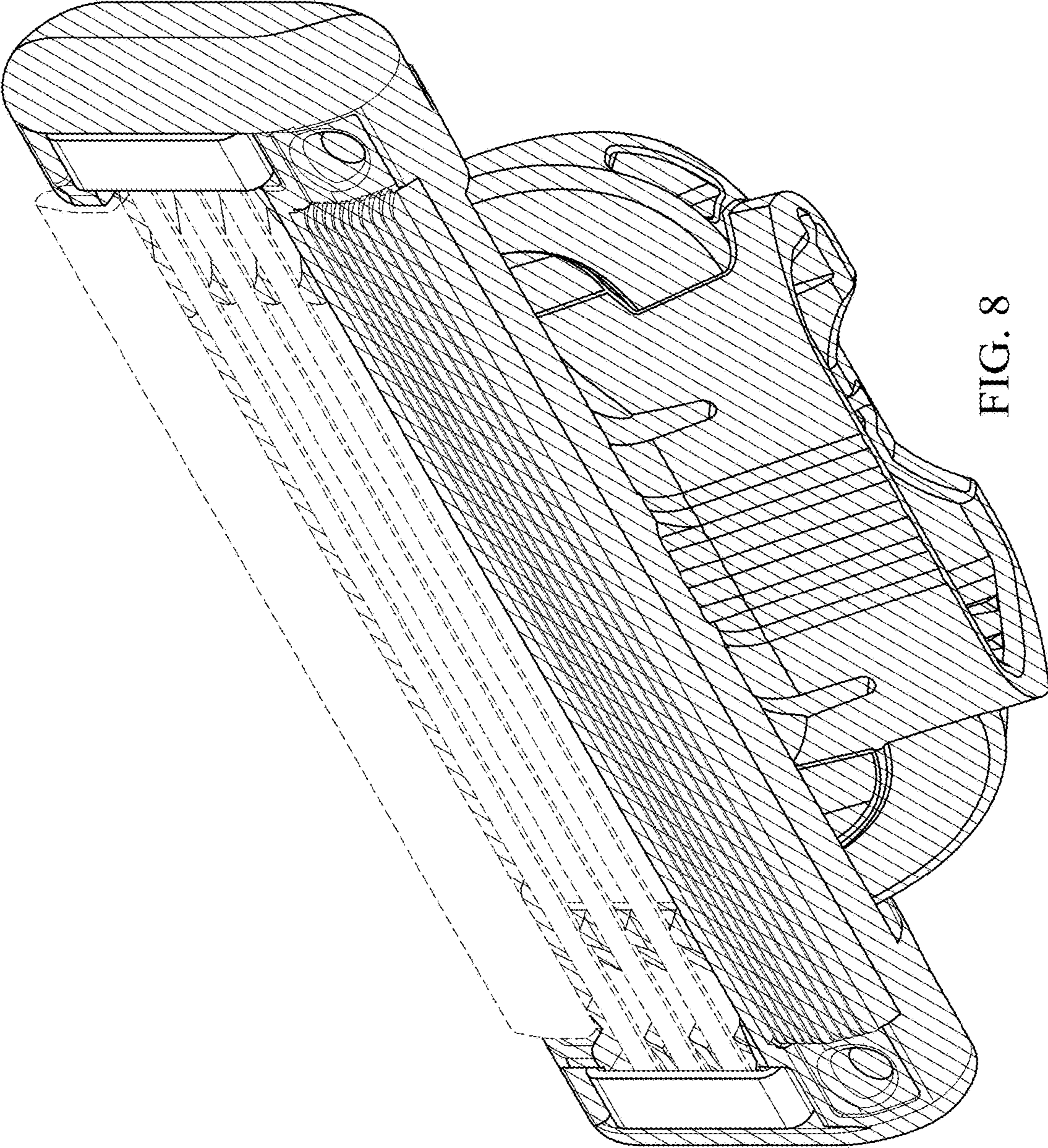


FIG. 8