



US00D779727S

(12) **United States Design Patent**
Johnson

(10) **Patent No.:** **US D779,727 S**

(45) **Date of Patent:** **** Feb. 21, 2017**

(54) **DUAL CHAMBER POD**

FOREIGN PATENT DOCUMENTS

(71) Applicant: **Church & Dwight Co., Inc.**, Princeton, NJ (US)

WO WO 2014170882 A1 * 10/2014 C11D 17/045

* cited by examiner

(72) Inventor: **Thomas Johnson**, Highstown, NJ (US)

Primary Examiner — Jennifer Rivard

(73) Assignee: **Church & Dwight Co., Inc.**, Princeton, NJ (US)

(74) *Attorney, Agent, or Firm* — Church & Dwight Co., Inc.

(**) Term: **15 Years**

(21) Appl. No.: **29/549,485**

(57) **CLAIM**

(22) Filed: **Dec. 22, 2015**

The ornamental design for a dual chamber pod, as shown and described.

(51) **LOC (10) Cl.** **28-03**

(52) **U.S. Cl.**
USPC **D28/8.1; D9/425**

(58) **Field of Classification Search**
USPC D9/424–426, 428, 430–432, 702, 707, D9/710, 737, 759
CPC C11D 17/04; C11D 17/041–17/042; C11D 17/043–17/047; C11D 17/0047–17/0091; C11D 17/0095; C11D 17/00–17/0021
See application file for complete search history.

DESCRIPTION

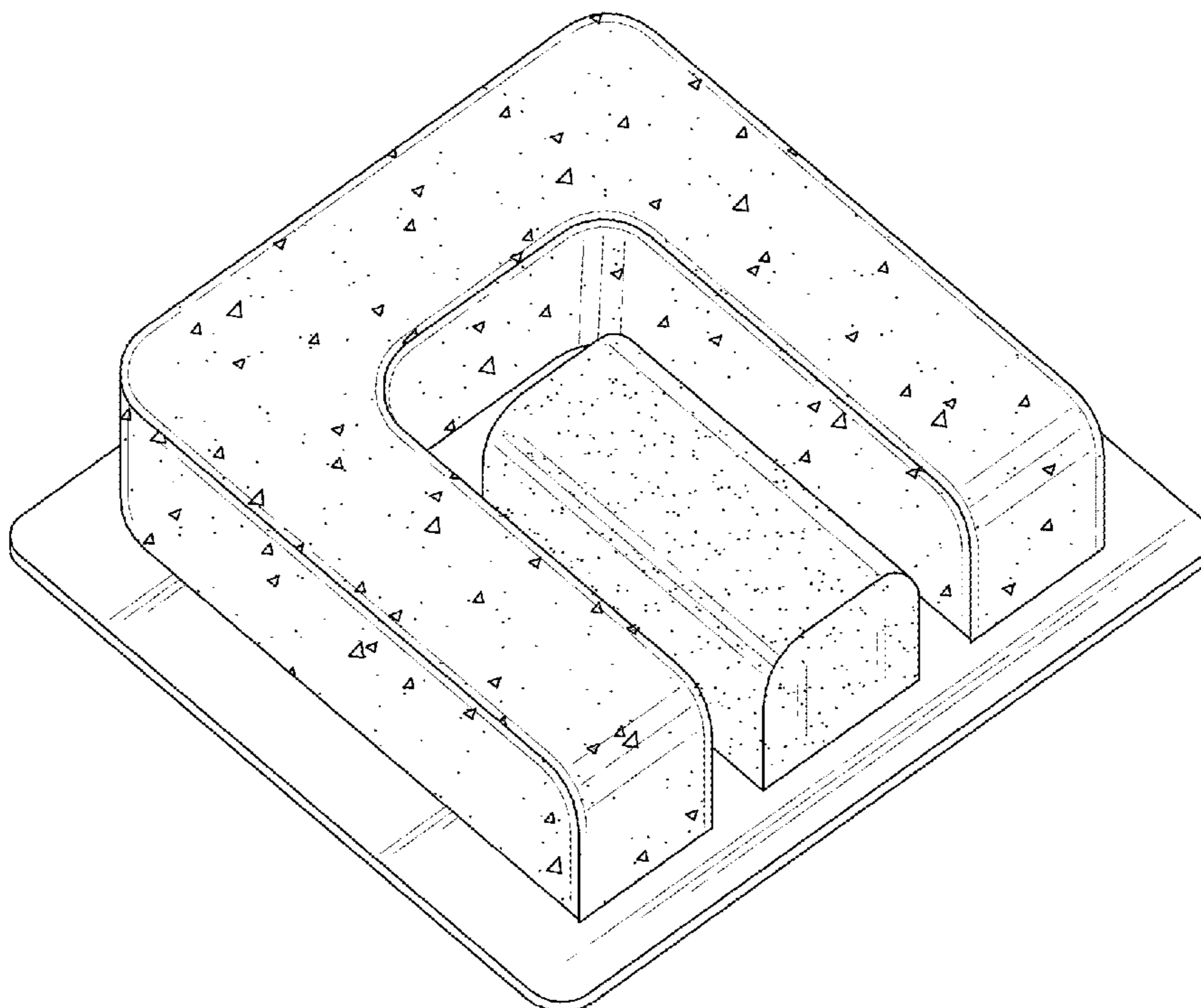
FIG. 1 is a front, perspective view of the dual chamber pod; FIG. 2 is a rear perspective view thereof; FIG. 3 is a top view thereof; FIG. 4 is a bottom view thereof; FIG. 5 is a front side elevation view thereof; FIG. 6 is a rear side elevation view thereof; FIG. 7 is a left side elevation view thereof; and, FIG. 8 is a right side elevation view thereof.

(56) **References Cited**

U.S. PATENT DOCUMENTS

D444,595 S * 7/2001 Ide D28/8.1
D490,567 S * 5/2004 McLeish D28/8.1
D688,572 S * 8/2013 Marin D9/425
D714,161 S * 9/2014 Crawford D9/707

1 Claim, 6 Drawing Sheets



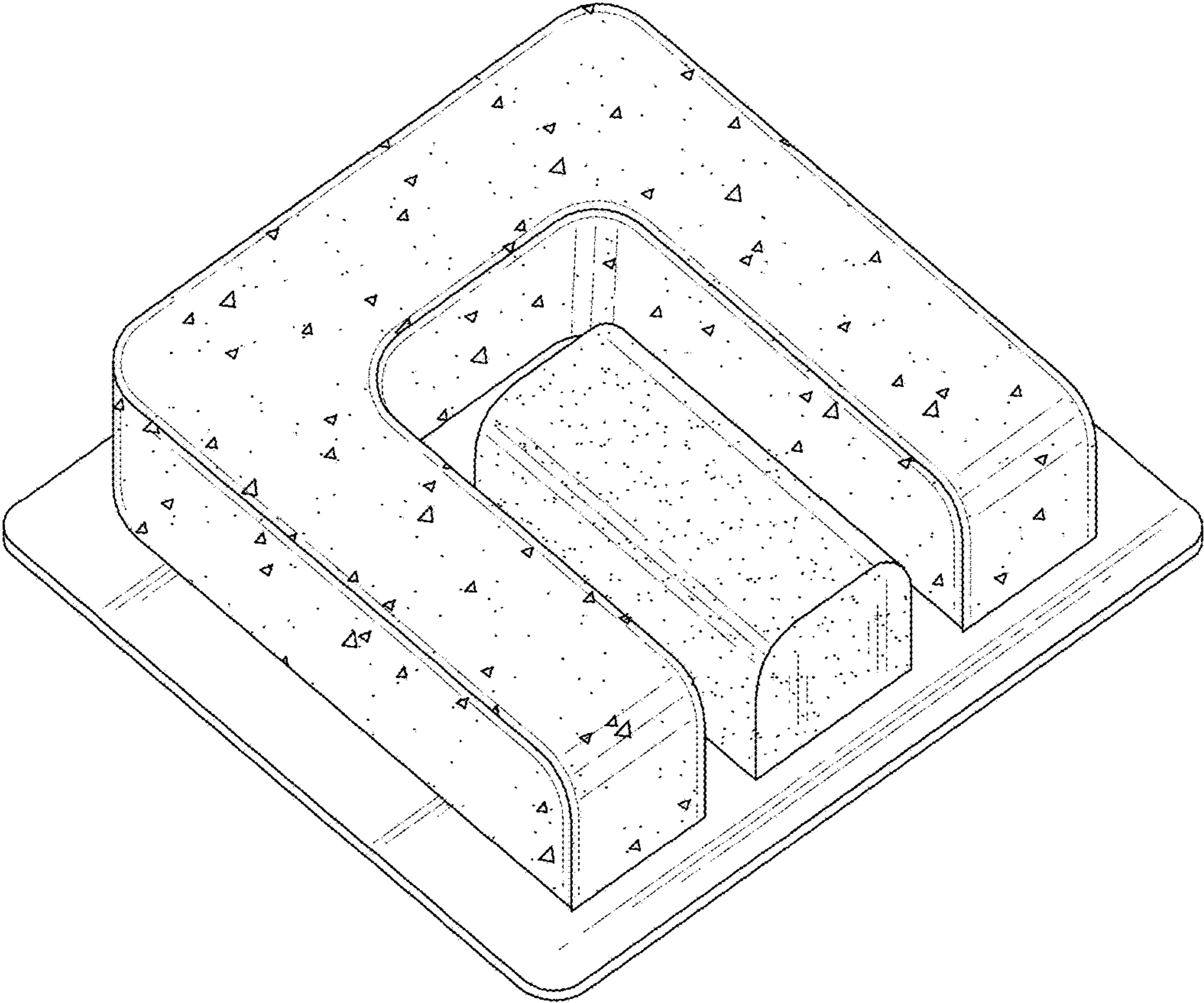


FIG. 1

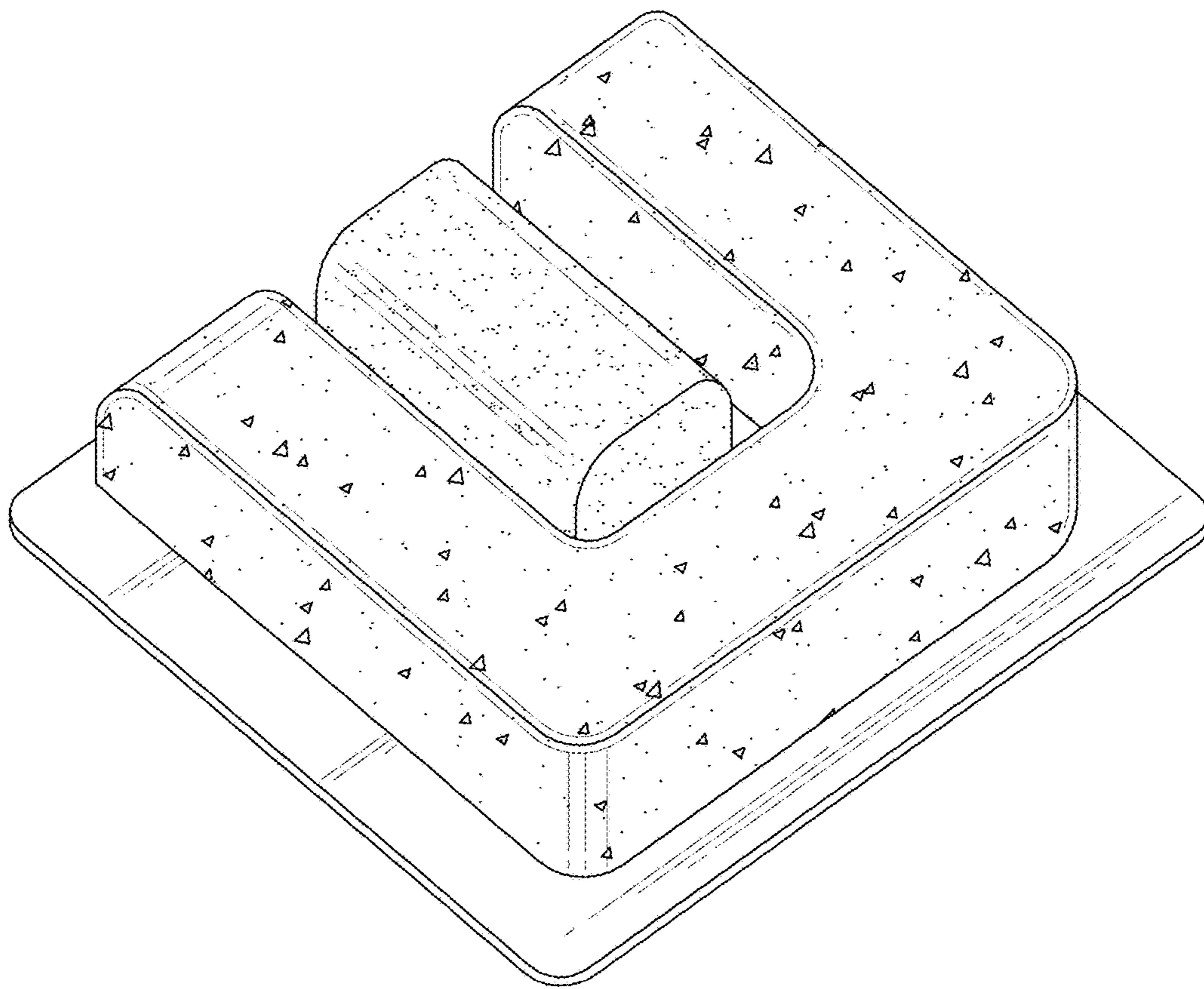


FIG. 2

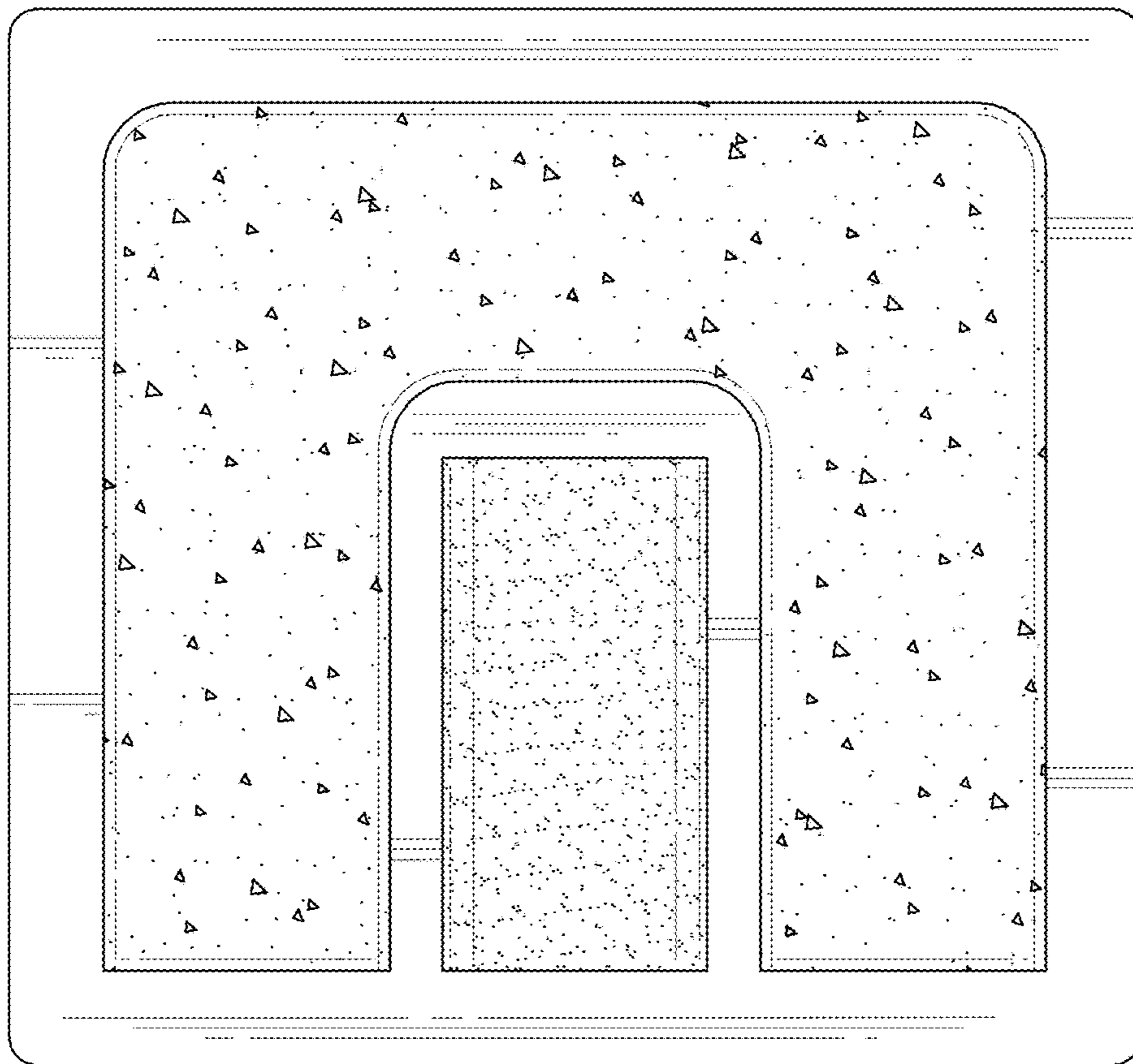


FIG. 3

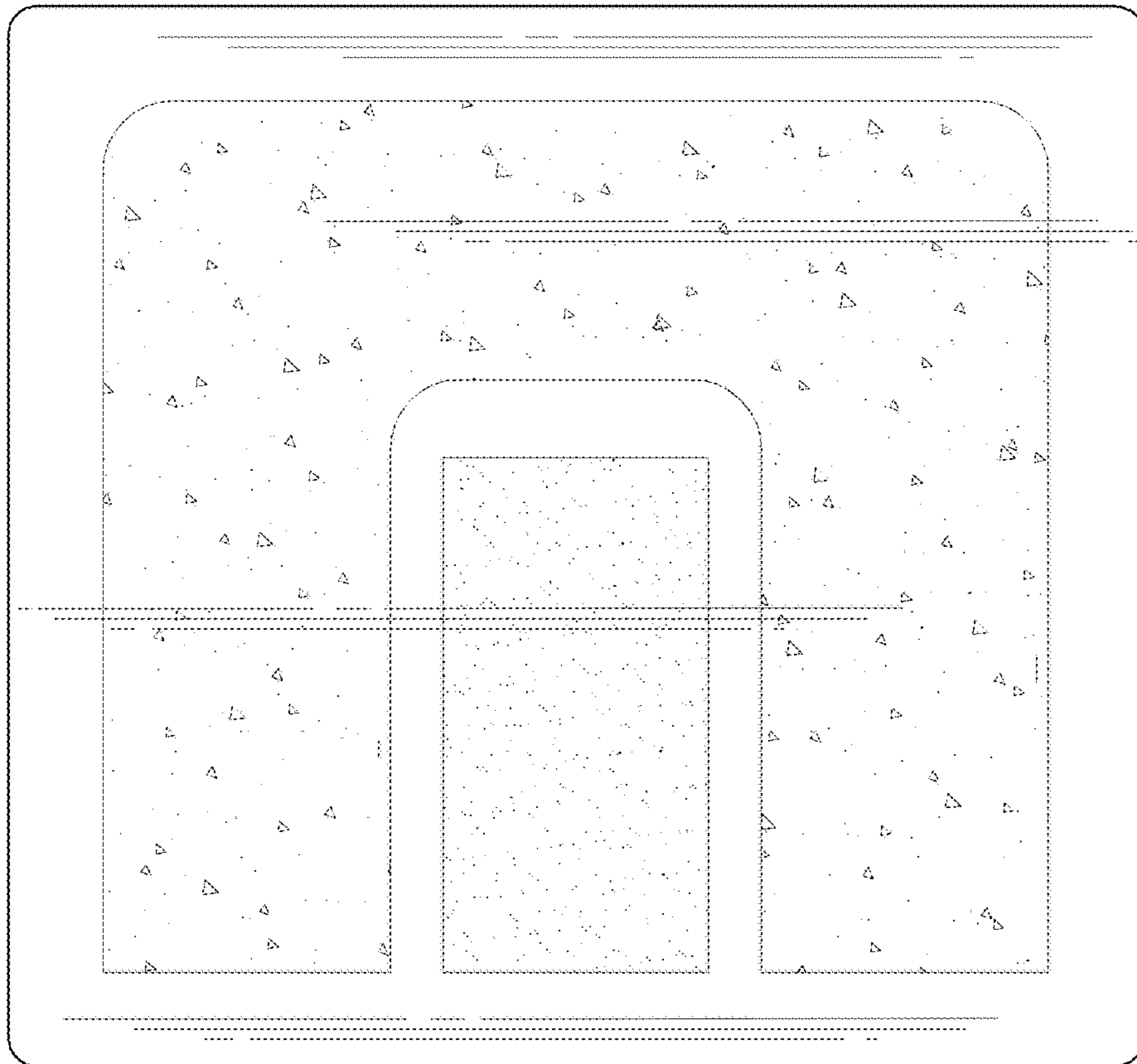


FIG. 4

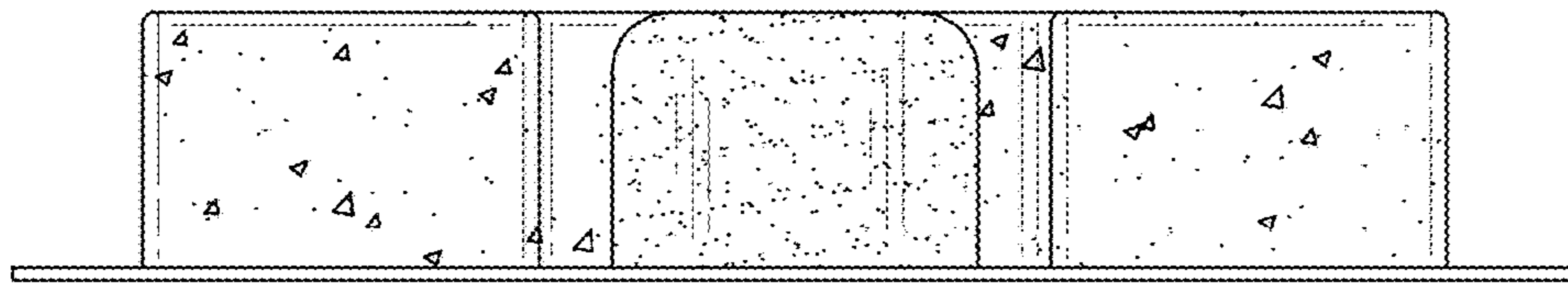


FIG. 5

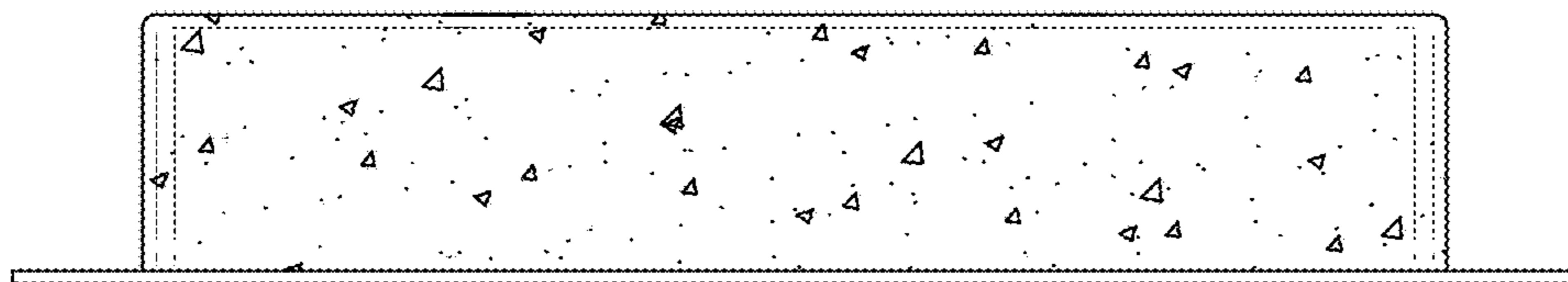


FIG. 6

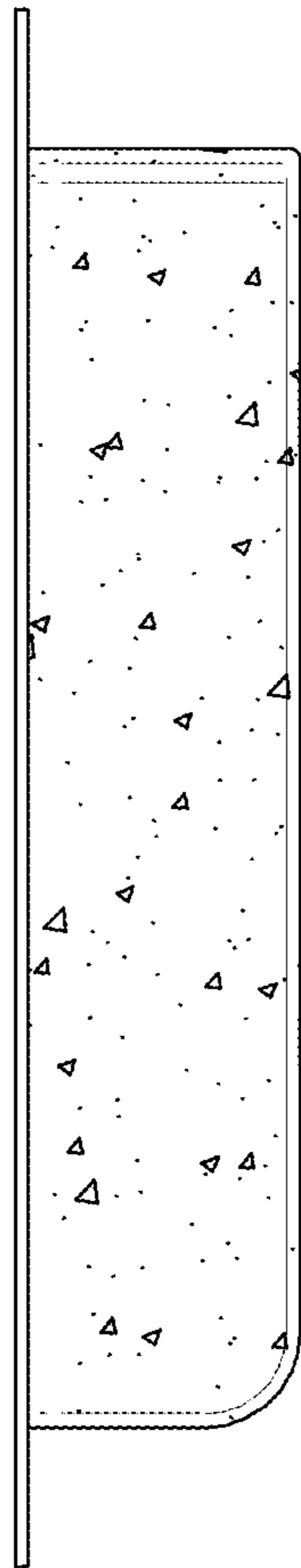


FIG. 7

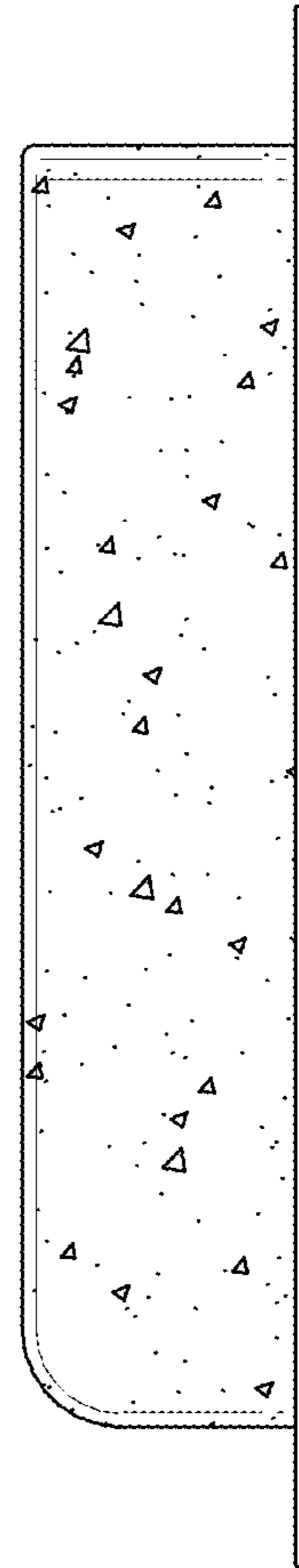


FIG. 8