



US00D779725S

(12) **United States Design Patent** (10) **Patent No.:** **US D779,725 S**
Bramley et al. (45) **Date of Patent:** **** Feb. 21, 2017**

(54) **MOUTHPIECE FOR A SMOKING ARTICLE**

(56) **References Cited**

(71) Applicant: **Altria Client Services LLC**,
Richmond, VA (US)
(72) Inventors: **Alistair Bramley**, Richmond, VA (US);
George Stafford, Richmond, VA (US);
Eric Hawes, Richmond, VA (US);
Traci Martin, Richmond, VA (US);
Berina Yerkic-Husejnovic, Richmond,
VA (US)

U.S. PATENT DOCUMENTS

D142,842 S 11/1945 Daze
D212,753 S * 11/1968 Tughan D23/369
3,587,573 A 6/1971 Flack
(Continued)

FOREIGN PATENT DOCUMENTS

CN 202890464 U 4/2013
WO WO-2013089358 A1 6/2013

(73) Assignee: **Altria Client Services LLC**,
Richmond, VA (US)

OTHER PUBLICATIONS

Notice of Allowance for corresponding U.S. Appl. No. 29/531.410
dated May 26, 2016.

(**) Term: **15 Years**

(Continued)

(21) Appl. No.: **29/561,106**

Primary Examiner — Susan Bennett Hattan
Assistant Examiner — Jennifer Wright
(74) *Attorney, Agent, or Firm* — Harness, Dickey &
Pierce, P.L.C.

(22) Filed: **Apr. 13, 2016**

Related U.S. Application Data

(63) Continuation of application No. 29/503,697, filed on
Sep. 29, 2014, now abandoned.

(51) **LOC (10) Cl.** **27-02**

(52) **U.S. Cl.**
USPC **D27/170**

(58) **Field of Classification Search**
USPC D27/101, 105, 108, 123, 129, 163, 164,
D27/169, 172, 175, 183, 184, 186, 187,
D27/189, 190, 193, 195; D25/126;
D24/110; D9/529; D23/412, 390, 397,
D23/366, 367, 369; D8/300, 349–352,
D8/354–356

CPC A61M 15/009; A24F 1/02; A24F 1/04; A24F
1/08; A24F 1/16; A24F 1/28; A24F 1/30

See application file for complete search history.

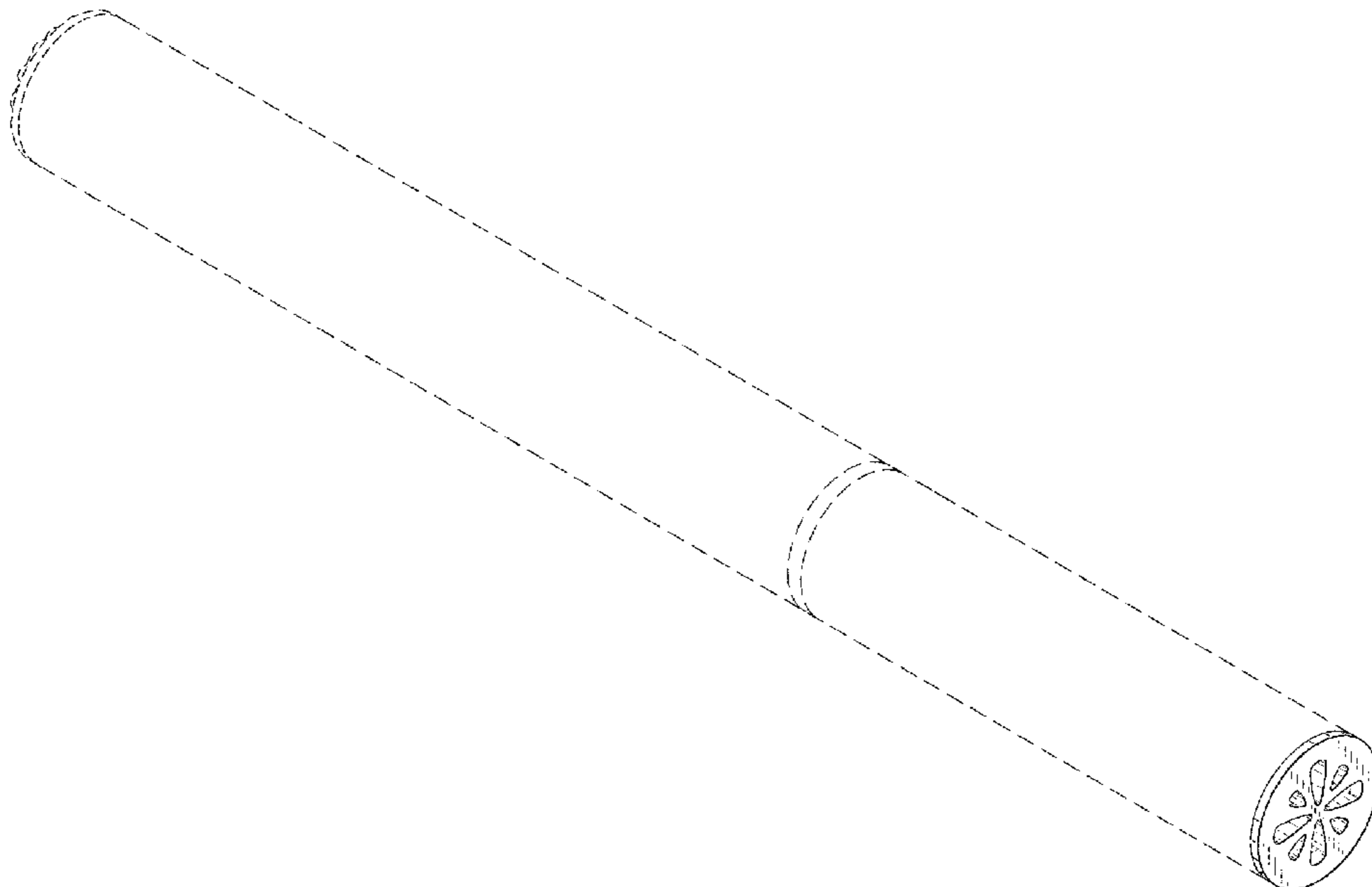
(57) **CLAIM**

The ornamental design for a mouthpiece for a smoking
article, as shown and described.

DESCRIPTION

FIG. 1 is a perspective view of a mouthpiece for a smoking
article showing our new design.
FIG. 2 is a side elevational view thereof; and,
FIG. 3 is a right end elevational view thereof.
The broken lines seen within the petal shaped apertures in
FIGS. 1 and 3 depict parts of the mouthpiece for a smoking
article that form no part of the claimed design; while the
remaining broken lines showing the smoking article depict
environmental subject matter only and form no part of the
claimed design.

1 Claim, 2 Drawing Sheets



(56)

References Cited

U.S. PATENT DOCUMENTS

3,720,235	A *	3/1973	Schrock	F16L 11/121 128/204.18	D727,564	S	4/2015	LaForge et al.
D229,725	S	12/1973	Berger			D727,565	S	4/2015	LaForge et al.
D229,788	S	1/1974	Berger			D728,154	S	4/2015	Lavanchy et al.
D229,789	S	1/1974	Berger			D729,439	S *	5/2015	Scatterday D27/101
D229,790	S	1/1974	Berger			D730,571	S	5/2015	Chen
D254,930	S *	5/1980	Mandon	D23/369	9,050,427	B2 *	6/2015	Harris A61M 15/0045
D254,931	S *	5/1980	Mandon	D23/369	D738,567	S	9/2015	Tucker et al.
D267,121	S	11/1982	Min			D739,598	S	9/2015	Lavanchy et al.
4,429,703	A	2/1984	Haber			D742,021	S	10/2015	Labuschagne et al.
D275,223	S	8/1984	Marxen			D743,097	S *	11/2015	Tucker D27/101
4,945,929	A	8/1990	Egilmex			D743,622	S	11/2015	Alima
5,042,510	A *	8/1991	Curtiss	A24F 47/002 131/270	D747,547	S	1/2016	Liu
5,095,921	A *	3/1992	Losee	A24F 47/008 128/200.19	D748,323	S	1/2016	Tucker et al.
5,179,966	A *	1/1993	Losee	A24F 47/008 128/202.21	D749,509	S	2/2016	Blau
5,269,327	A *	12/1993	Counts	A24F 47/008 128/200.14	D750,834	S	3/2016	Wei
D347,490	S	5/1994	Gee et al.			D754,919	S	4/2016	Alarcon et al.
D375,159	S *	10/1996	Johansson	D23/266	D756,564	S	5/2016	Yerkic-Husejnovic et al.
D384,283	S *	9/1997	Davies	D9/731	2012/0053512	A1	3/2012	Muse
D404,459	S *	1/1999	Furner	D22/119	2013/0068239	A1	3/2013	Youn
D404,629	S	1/1999	Cooper			2013/0087160	A1	4/2013	Gherghe
D405,220	S	2/1999	Dal Monte			2013/0140200	A1	6/2013	Scatterday
6,061,950	A *	5/2000	Carey	A01M 1/2066 422/126	2013/0167854	A1	7/2013	Shin
6,231,336	B1 *	5/2001	Chen	F21V 35/00 362/163	2013/0192615	A1	8/2013	Tucker et al.
6,357,448	B1	3/2002	Sinclair, Jr.			2013/0192623	A1	8/2013	Tucker et al.
6,649,268	B1	11/2003	Komine et al.			2013/0213419	A1	8/2013	Tucker et al.
D484,963	S	1/2004	Jones et al.			2013/0228190	A1	9/2013	Weiss et al.
D489,679	S	5/2004	Wong			2013/0298905	A1	11/2013	Levin et al.
D497,423	S	10/2004	Muir et al.			2013/0312742	A1	11/2013	Monsees et al.
D508,199	S *	8/2005	Winig	D8/356	2013/0319440	A1	12/2013	Capuano
D534,682	S	1/2007	Malhi			2013/0327345	A1	12/2013	Clarke
D548,086	S *	8/2007	Conway	D7/300.1	2013/0340775	A1	12/2013	Juster et al.
D550,378	S *	9/2007	Adams	D26/23	2014/0014124	A1	1/2014	Glasberg et al.
D550,829	S *	9/2007	Buthier	D23/367	2014/0020693	A1	1/2014	Cochand et al.
D555,085	S	11/2007	Kim			2014/0034070	A1	2/2014	Schennum
D591,415	S	4/2009	Wu			2014/0053856	A1	2/2014	Liu
D633,034	S	2/2011	Heine et al.			2014/0060554	A1	3/2014	Collett et al.
D641,464	S *	7/2011	De Haan	D23/366	2014/0076310	A1	3/2014	Newton
D644,375	S	8/2011	Zhou			2014/0174458	A1	6/2014	Katz
8,002,897	B2	8/2011	Palfy et al.			2014/0202477	A1	7/2014	Qi et al.
D646,431	S	10/2011	Awty et al.			2014/0209105	A1	7/2014	Sears et al.
D651,338	S	12/2011	Awty et al.			2014/0224267	A1	8/2014	Levitz et al.
D662,257	S	6/2012	Alelov			2014/0270727	A1	9/2014	Ampolini et al.
D684,311	S	6/2013	Liu			2014/0283859	A1	9/2014	Minskoff et al.
D685,522	S *	7/2013	Potter	D27/101	2014/0318558	A1	10/2014	Liu
D686,717	S *	7/2013	Mack	D23/366	2014/0336565	A1	11/2014	Nichols
D688,415	S	8/2013	Kim			2014/0345632	A1 *	11/2014	Scatterday A24F 47/008 131/329
8,499,766	B1 *	8/2013	Newton	A24F 47/008 131/273	2014/0345635	A1	11/2014	Rabinowitz et al.
D691,765	S *	10/2013	Tucker	D27/101	2014/0355969	A1	12/2014	Stern
D691,766	S *	10/2013	Tucker	D27/101	2014/0360516	A1	12/2014	Liu
D692,612	S *	10/2013	Lowenthal	D13/103	2015/0020827	A1	1/2015	Liu
D692,613	S	10/2013	Morreale			2015/0020828	A1	1/2015	Liu
D694,468	S	11/2013	Chen			2015/0027470	A1	1/2015	Kane et al.
D695,449	S *	12/2013	Tucker	D27/101	2015/0059784	A1	3/2015	Liu
D702,478	S	4/2014	Wai			2015/0144148	A1	5/2015	Chen
8,707,965	B2	4/2014	Newton			2015/0150307	A1	6/2015	Liu
8,833,364	B2	9/2014	Buchberger			2015/0196059	A1	7/2015	Liu
8,881,737	B2	11/2014	Collett et al.			2015/0208726	A1	7/2015	Liu
8,888,311	B2	11/2014	Parsons			2015/0245657	A1	9/2015	Memari et al.
8,897,628	B2	11/2014	Conley et al.			2015/0296889	A1	10/2015	Liu
D720,499	S	12/2014	Alima			2015/0328415	A1 *	11/2015	Minskoff A61M 15/0001 128/202.21
8,939,943	B2	1/2015	Edwards et al.			2015/0332379	A1 *	11/2015	Alarcon G06Q 30/0635 705/26.81
D722,196	S	2/2015	Tucker et al.			2016/0150823	A1	6/2016	Liu
8,950,395	B2	2/2015	Schennum						
D724,262	S *	3/2015	Hearn	D27/101				
D724,781	S *	3/2015	Hearn	D27/101				
D725,821	S	3/2015	Levin et al.						

OTHER PUBLICATIONS

Notice of Allowance for corresponding U.S. Appl. No. 29/527,149 dated Jun. 8, 2016.
 Notice of Allowance for corresponding U.S. Appl. No. 29/531,427 dated Jun. 2, 2016.
 Notice of Allowance for corresponding U.S. Appl. No. 29/527,151 dated May 25, 2016.
 Mouthpiece of Smoking Article | Nikotek 3pk Cartridge | Metro, post date N/A, @ 2015 metroecigs.com, [online], [site visited Nov. 24, 2015], Available from Internet, <http://www.metroecigs.com/product/metromentholnicotinecartridges.asp>.

(56)

References Cited

OTHER PUBLICATIONS

Mouthpiece of Smoking Article | V2 Cigs Blue | Ecigarette Reviewed | post date Mar. 24, 2014 © 2015 ecigarettereviewed.com, [online], [site visited Nov. 24, 2015] Available from Internet, <http://ecigarettereviewed.com/blu-cigs-review/>.

“Smokio: Smart Wireless E-cigarette,” <http://www.premium-lifestyle.com.uk/products/smokio-smart-wireless-e-cigarette>.

About Electronic Cigarettes/ Vapor Cigarettes/E-cigs <https://www.vapinapes.com/about-vapor-cigarettes/>.

Supersmoke: The Latest Supersmoker Bluetooth, <http://www.supersmokerbluetooth.com/>.

Kosmo, <https://www.indiegogo.com.com/projects/kosmo-ecigarette>.

<<http://www.kelvin.en.made-in-china.com/productimage/FghEJNdCeOVw-2f1j00KeBtCALgEjYE/China-High-Quality-Triangular-Trimark-E-Cigarette.html>> copyright 2015. Focus Technology Co., Ltd.

Notice of Allowance for corresponding U.S. Appl. No. 29/531,410 dated Mar. 25, 2016.

Notice of Allowance for corresponding U.S. Appl. No. 29/531,427 dated Apr. 5, 2016.

Notice of Allowance for corresponding U.S. Appl. No. 29/527,151 dated Mar. 30, 2016.

Non-Final Office Action for corresponding U.S. Appl. No. 29/527,153 dated Mar. 28, 2016.

Notice of Allowance for corresponding U.S. Appl. No. 29/527,149 dated Apr. 11, 2016.

* cited by examiner

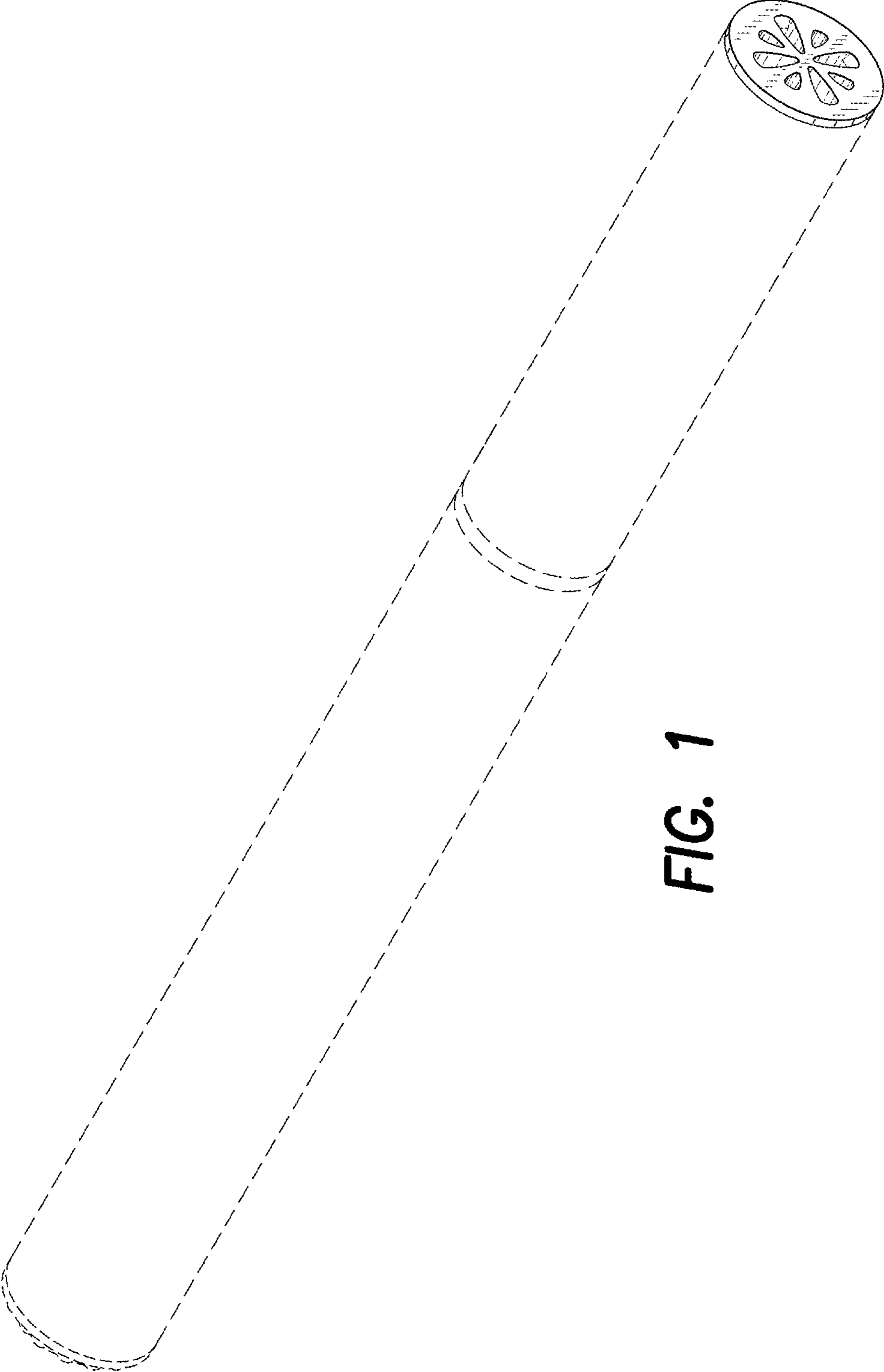


FIG. 1

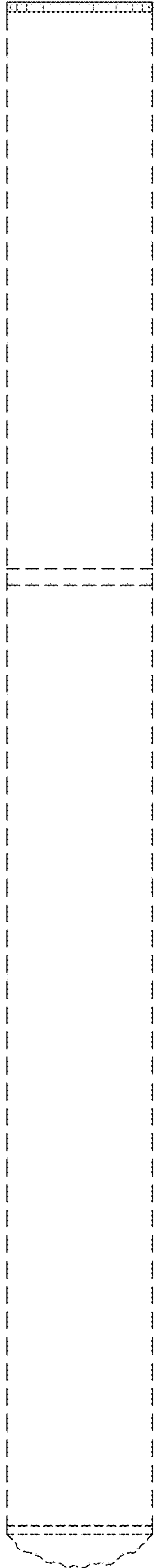


FIG. 2

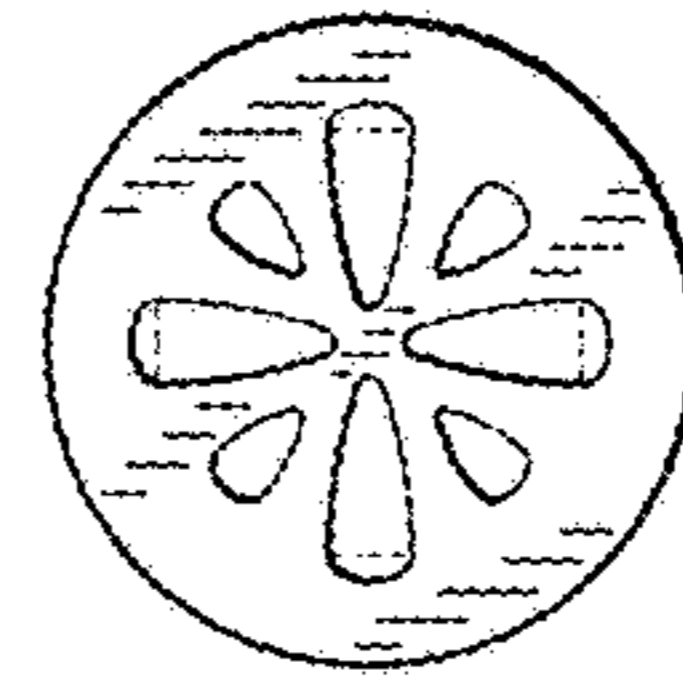


FIG. 3