



US00D779724S

(12) **United States Design Patent** (10) **Patent No.:** **US D779,724 S**
Decker (45) **Date of Patent:** **** *Feb. 21, 2017**

(54) **HEATING ELEMENT**
(71) Applicant: **Samuel Decker**, Veneta, OR (US)
(72) Inventor: **Samuel Decker**, Veneta, OR (US)
(*) Notice: This patent is subject to a terminal disclaimer.
(**) Term: **14 Years**
(21) Appl. No.: **29/493,518**
(22) Filed: **Jun. 10, 2014**
(51) **LOC (10) Cl.** **27-02**
(52) **U.S. Cl.**
USPC **D27/167**
(58) **Field of Classification Search**
USPC D27/167, 139-142, 161, 154, 194;
D23/314, 386; D15/144, 144.1, 144.2
CPC A24F 29/00; A24F 47/00; A24F 1/30
See application file for complete search history.

2014/0000052 A1* 1/2014 Filho A47L 13/18
15/227
2014/0014564 A1* 1/2014 Fujii A47J 31/20
210/238
2014/0326257 A1* 11/2014 Jalloul A24D 1/14
131/226
2015/0020690 A1* 1/2015 Vernon A47G 19/16
99/323
2015/0190864 A1* 7/2015 Tenold B22D 19/14
164/95

FOREIGN PATENT DOCUMENTS

CA 2359909 C * 5/2005 A45D 33/006
* cited by examiner

Primary Examiner — Rosemary K Tarcza
Assistant Examiner — Yolanda Robinson

(57) **CLAIM**

I claim the ornamental design for a heating element, as shown and described.

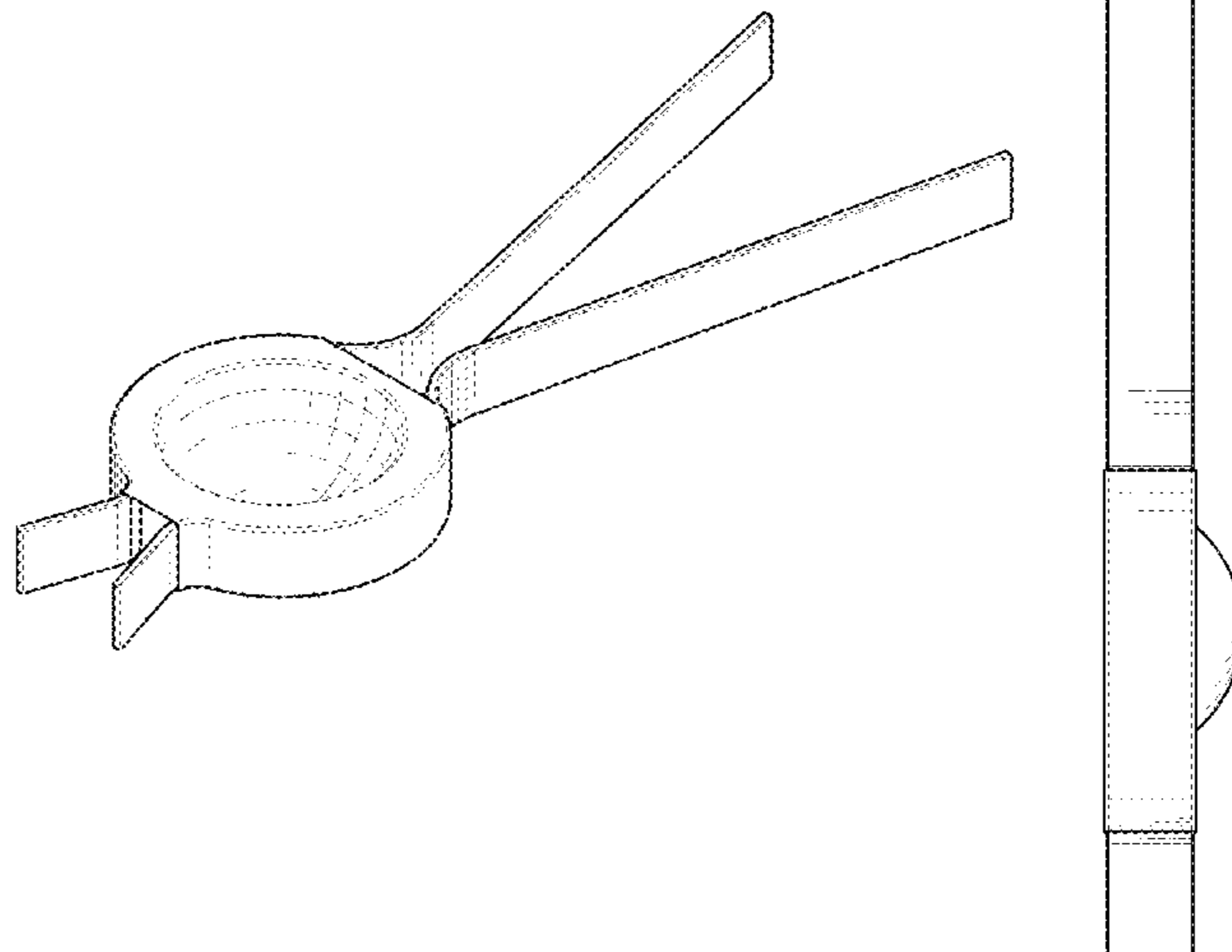
DESCRIPTION

FIG. 1 is a perspective view of a heating element.
FIG. 2 is a side elevation view of the heating element shown in FIG. 1.
FIG. 3 is an opposite side elevation view of the heating element.
FIG. 4 is a front elevation view of the heating element.
FIG. 5 is a rear elevation view of the heating element.
FIG. 6 is bottom elevation view of the heating element.
FIG. 7 is a top elevation view of the heating element; and, FIG. 8 is a side elevation view of the heating element shown in FIG. 2 from an opposite side of that shown in FIG. 2.
The broken lines shown in the figures are for the purpose of illustrating environmental structure of the heating element, and form no part of the claimed design.

(56) **References Cited**
U.S. PATENT DOCUMENTS

D248,235 S * 6/1978 Haughtington D15/144
D323,838 S * 2/1992 Rebstock D15/144
D493,011 S * 7/2004 Foote D27/104
D639,835 S * 6/2011 Martinez D15/144
8,464,725 B2* 6/2013 Badawi A24D 1/14
131/173
D726,366 S * 4/2015 Kirakosian D27/162
9,028,897 B2* 5/2015 Nakagiri B65D 85/8043
426/115
D738,995 S * 9/2015 Shapiro D23/314
D742,585 S * 11/2015 Bennett D27/136
2013/0209621 A1* 8/2013 Nakagiri B65D 85/8043
426/115

1 Claim, 6 Drawing Sheets



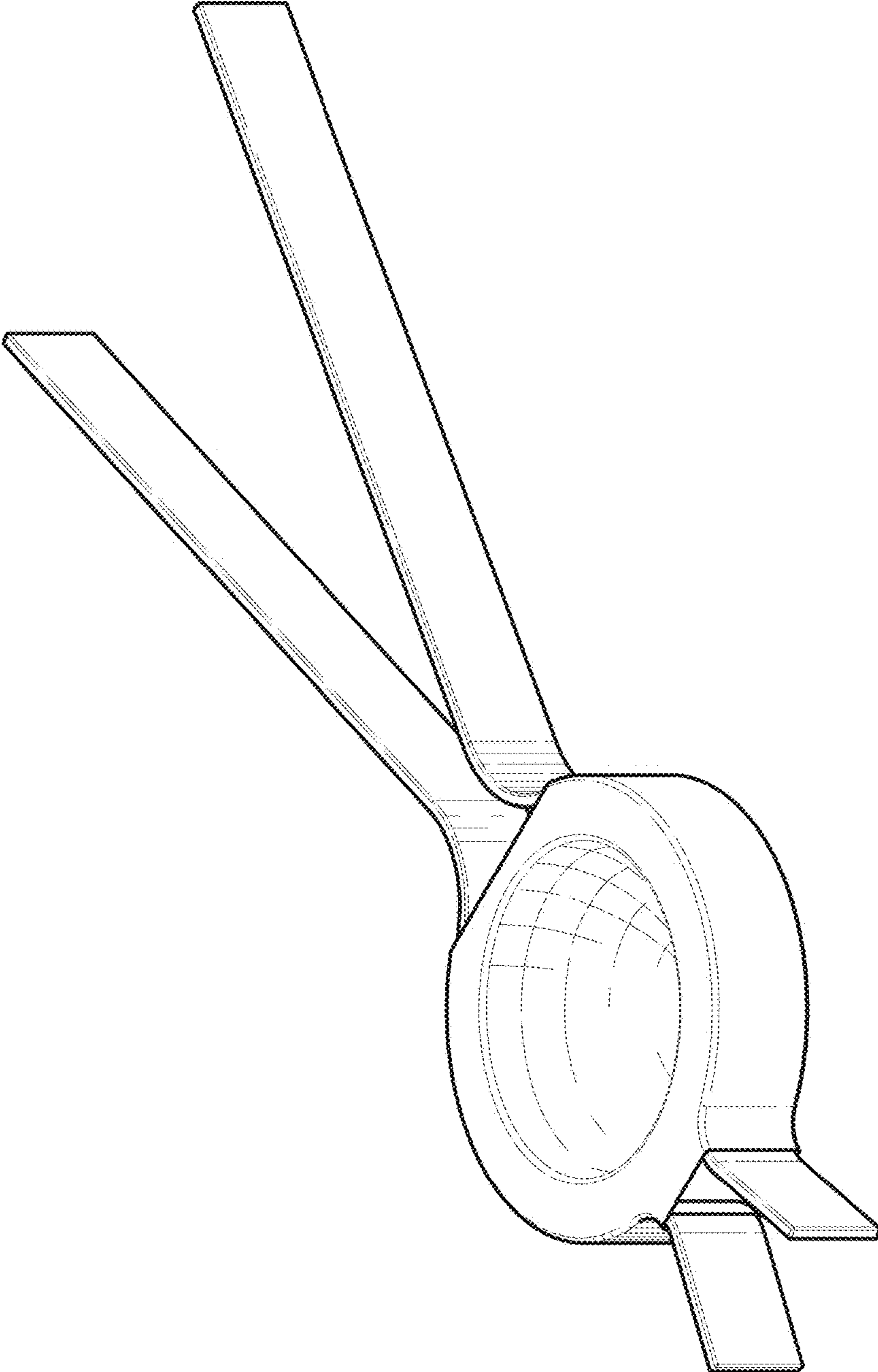


FIG.1

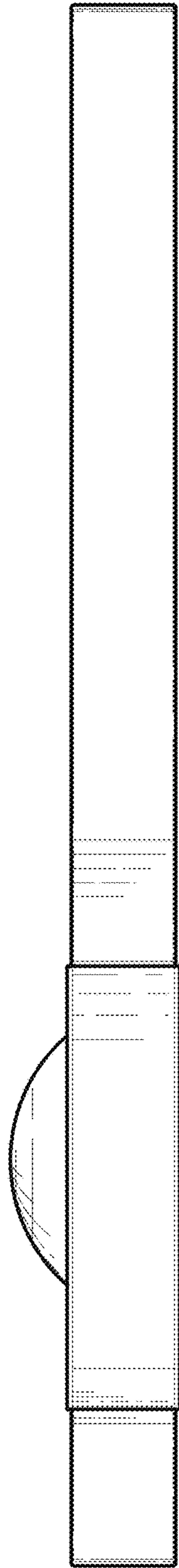


FIG. 2

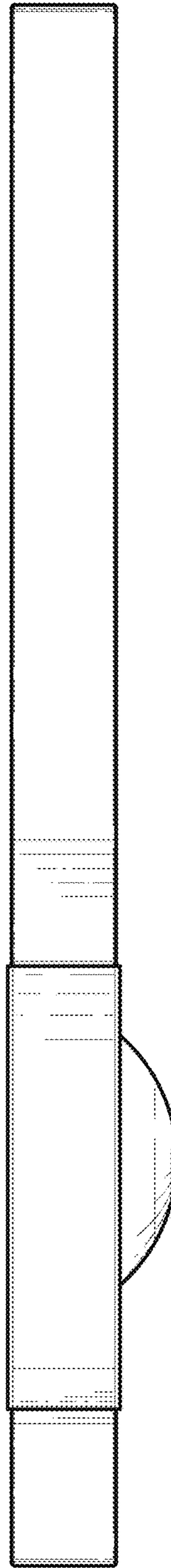


FIG. 8

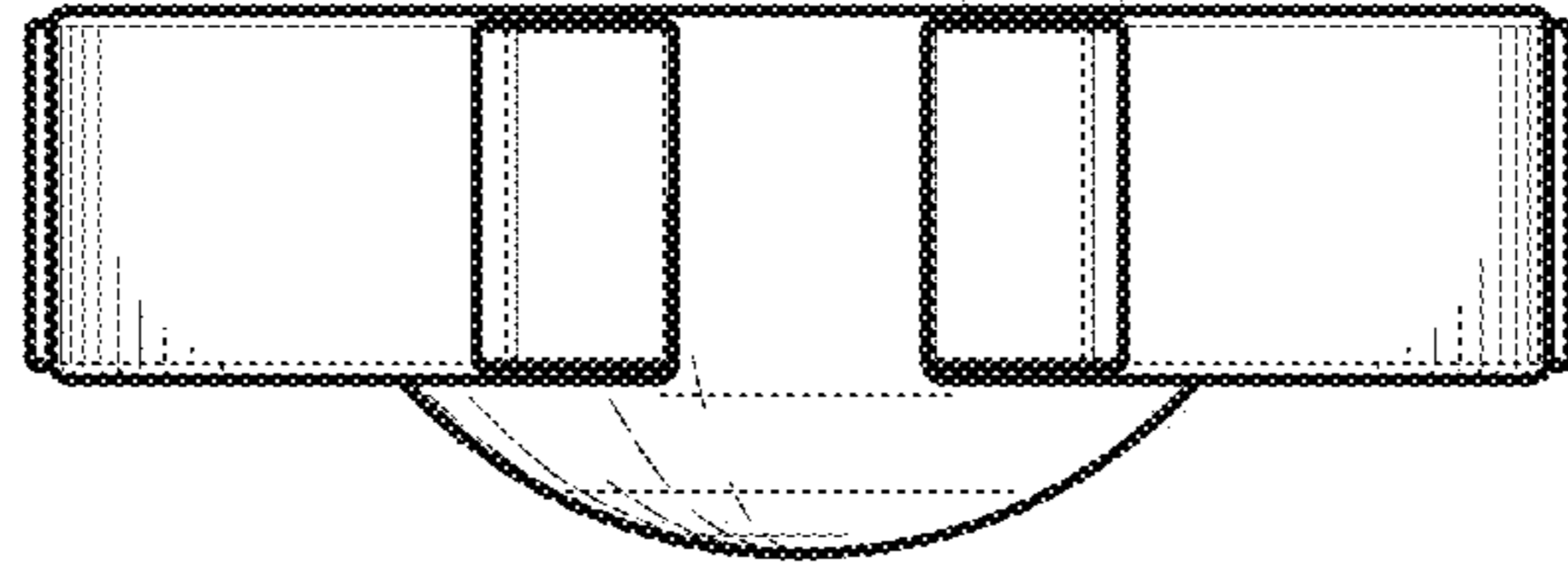


FIG.3

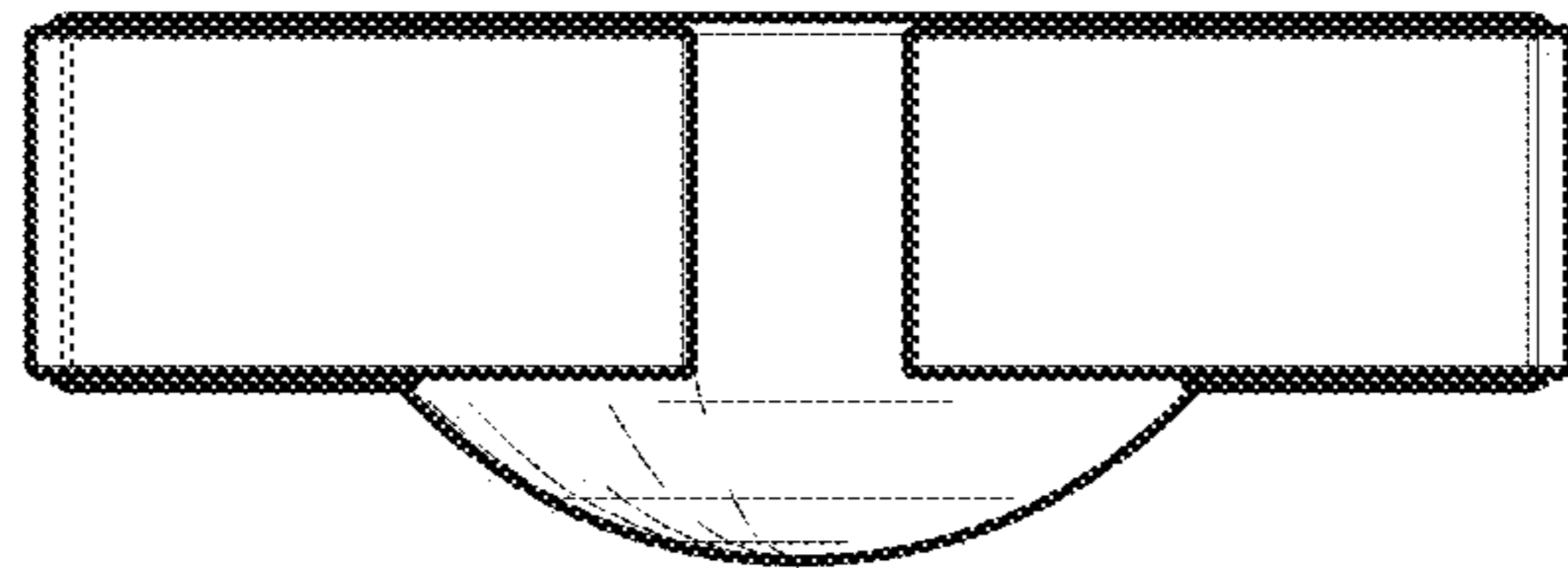


FIG.4

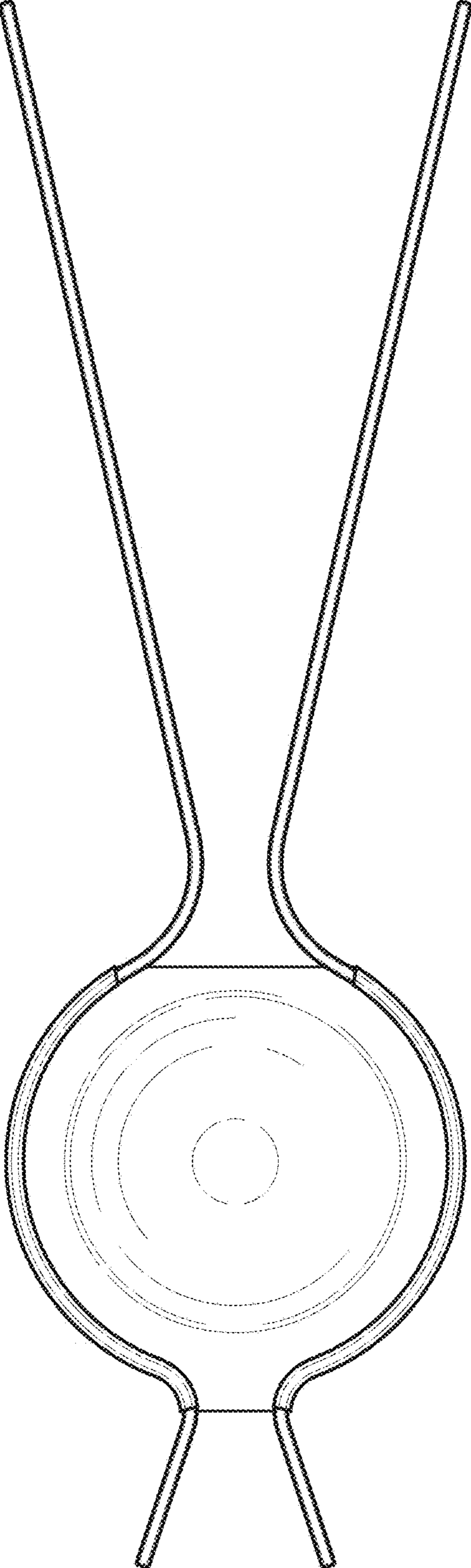


FIG.5

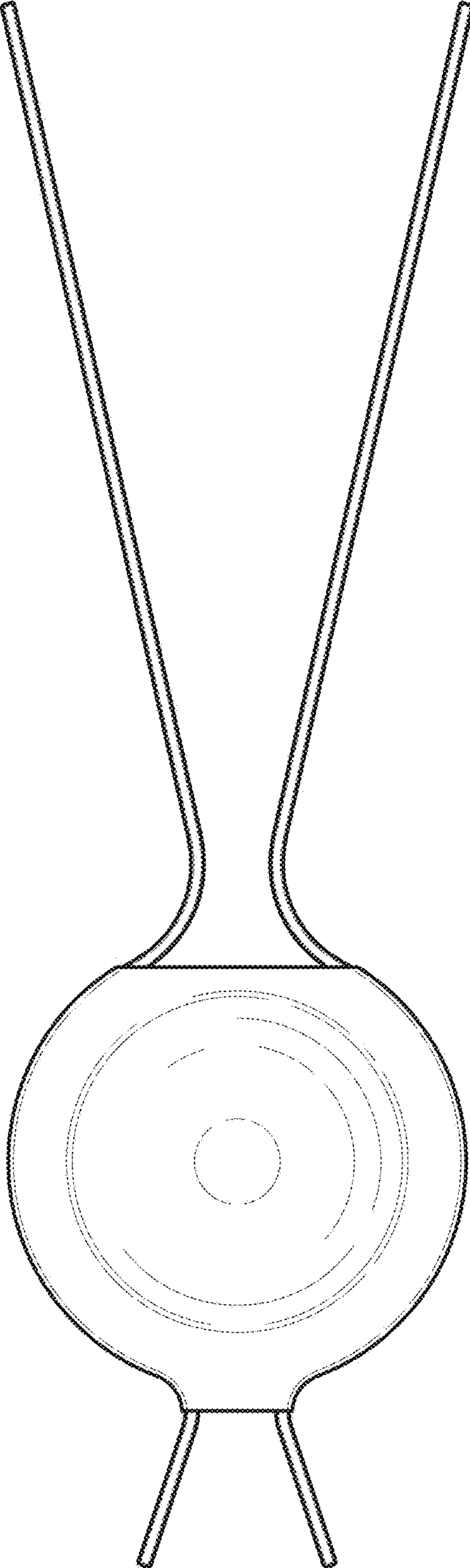


FIG.6

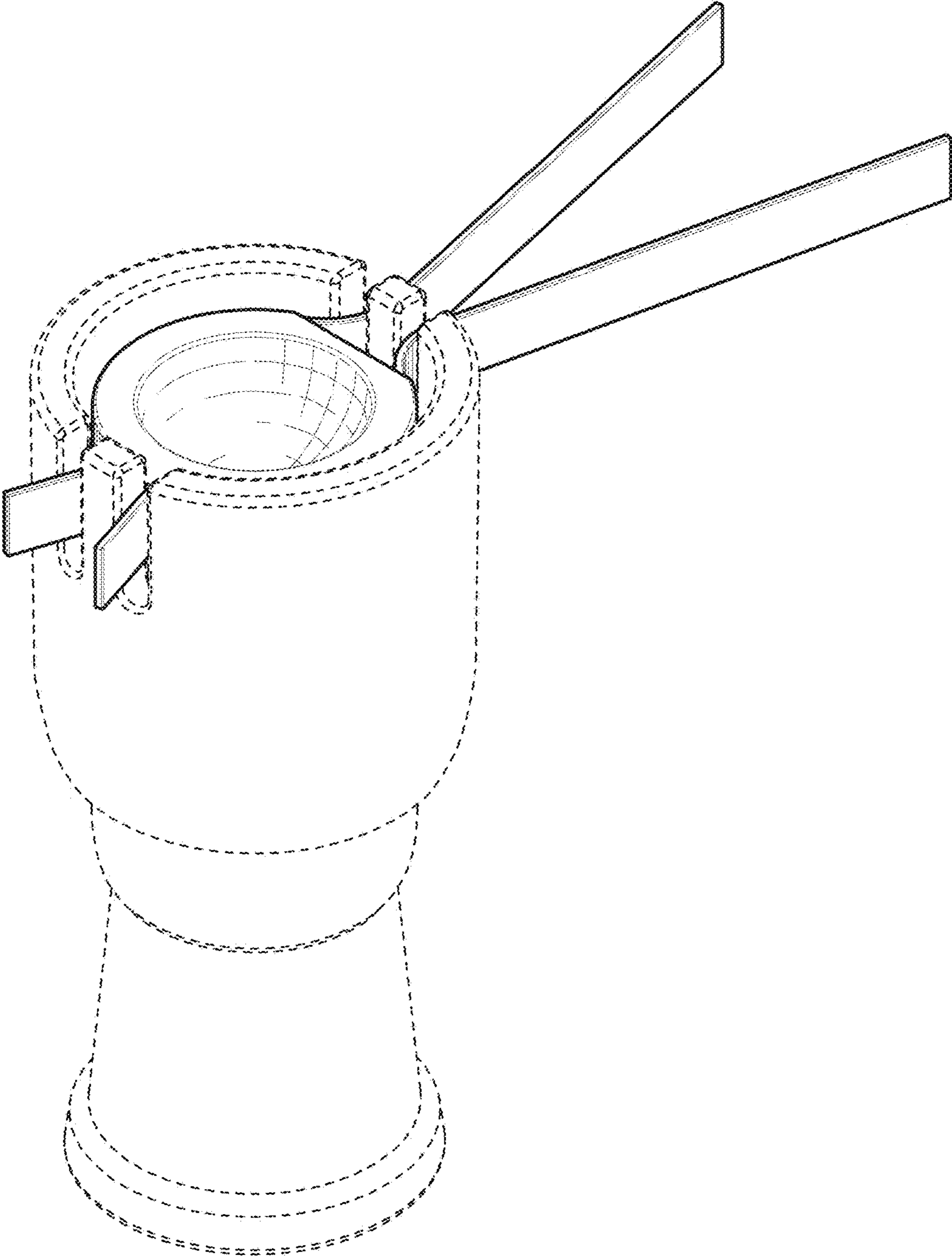


FIG.7