



US00D779723S

(12) **United States Design Patent**
Marrakchi

(10) **Patent No.:** **US D779,723 S**

(45) **Date of Patent:** **** Feb. 21, 2017**

(54) **HOOKAH**

(71) Applicant: **MOB Hookah LLC**, San Diego, CA
(US)

(72) Inventor: **Mehdi Marrakchi**, San Diego, CA
(US)

(**) Term: **15 Years**

(21) Appl. No.: **29/543,314**

(22) Filed: **Oct. 22, 2015**

(51) **LOC (10) Cl.** **27-02**

(52) **U.S. Cl.**
USPC **D27/162**

(58) **Field of Classification Search**
USPC D27/100-112, 120, 125-130, 136, 137,
D27/138, 143, 161, 162-169, 172, 175,
D27/180, 183, 193, 194, 195; 573;
D22/101, D22/103
CPC A24C 5/44; A24F 13/00; A24F 47/008
See application file for complete search history.

(56) **References Cited**

U.S. PATENT DOCUMENTS

D653,300 S *	1/2012	Emde	D22/103
D667,072 S *	9/2012	Kriegleder	D22/103
D670,783 S *	11/2012	Barrett	D22/103
D719,234 S *	12/2014	Hochstrate	D22/103
D724,168 S *	3/2015	Alis	D22/103
D759,301 S *	6/2016	Elhalwani	D27/162
2009/0178325 A1 *	7/2009	Veilleux	F41G 1/36 42/117
2012/0085226 A1 *	4/2012	Thiele	F41A 5/18 89/191.01
2013/0068089 A1 *	3/2013	Brown	F41A 5/18 89/193

2014/0208627 A1 *	7/2014	Ballard	F41C 23/00 42/75.03
2015/0282524 A1 *	10/2015	Elhalwani	A24F 47/008 131/329
2016/0029696 A1 *	2/2016	Obeidallah	A24F 47/008 131/329
2016/0165951 A1 *	6/2016	Gupta	A24F 47/008 131/329

OTHER PUBLICATIONS

M16 Hookah by MOB. dated 2016. found online [Oct. 25, 2016]
<http://www.mobhookah.com/M-16-HOOKAH-p/m16-hookah.htm>.*

* cited by examiner

Primary Examiner — Robert M Spear
Assistant Examiner — Marissa J Cash
(74) *Attorney, Agent, or Firm* — Plager Schack LLP

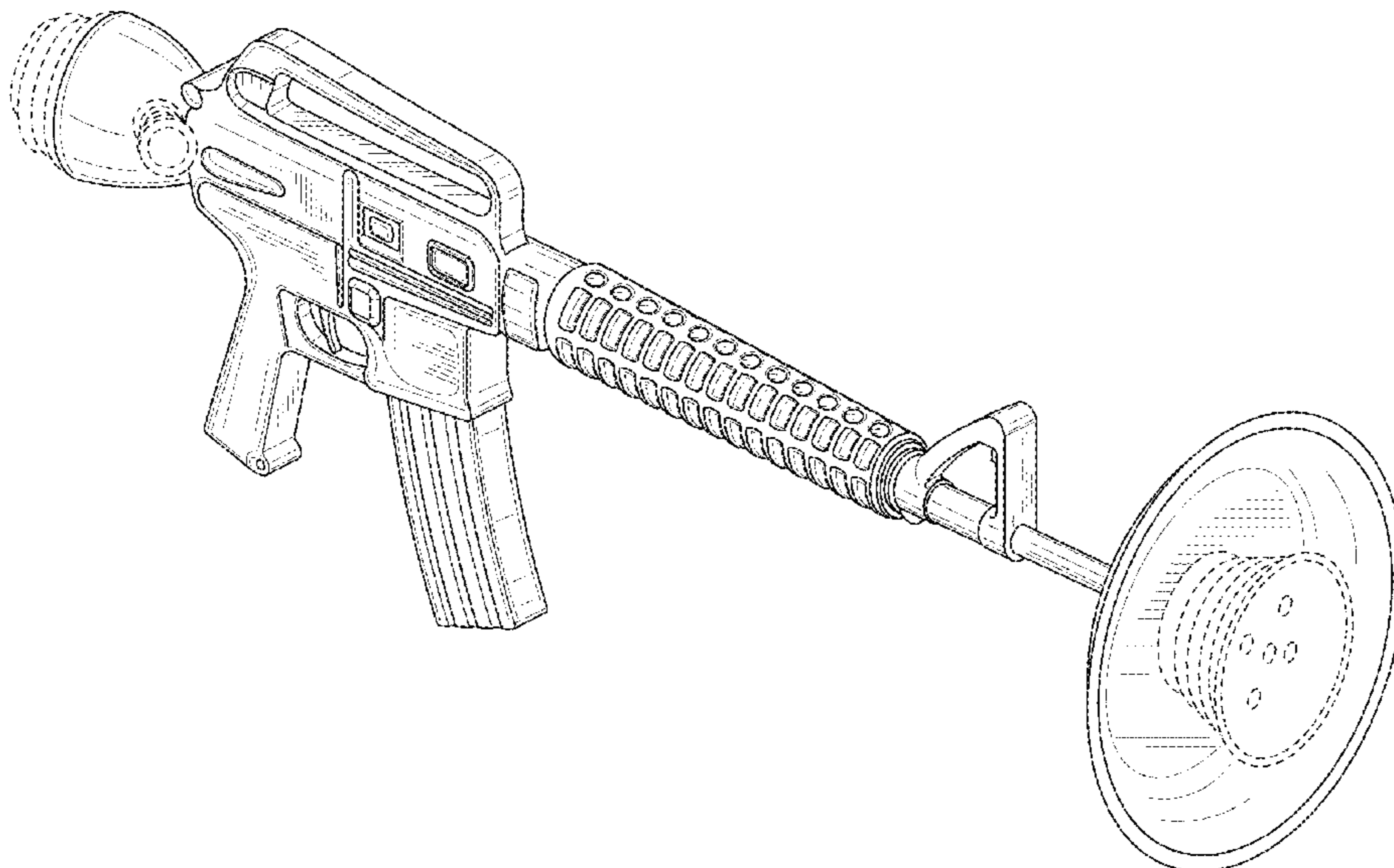
(57) **CLAIM**

The ornamental design for a hookah, as shown and described.

DESCRIPTION

FIG. 1 is an elevated perspective view of the hookah.
FIG. 2 is a right side view of the hookah.
FIG. 3 is a left side view of the hookah.
FIG. 4 is a top view of the hookah.
FIG. 5 is bottom side view of the hookah.
FIG. 6 is a front view of the hookah; and,
FIG. 7 is a back view of the hookah.

1 Claim, 6 Drawing Sheets



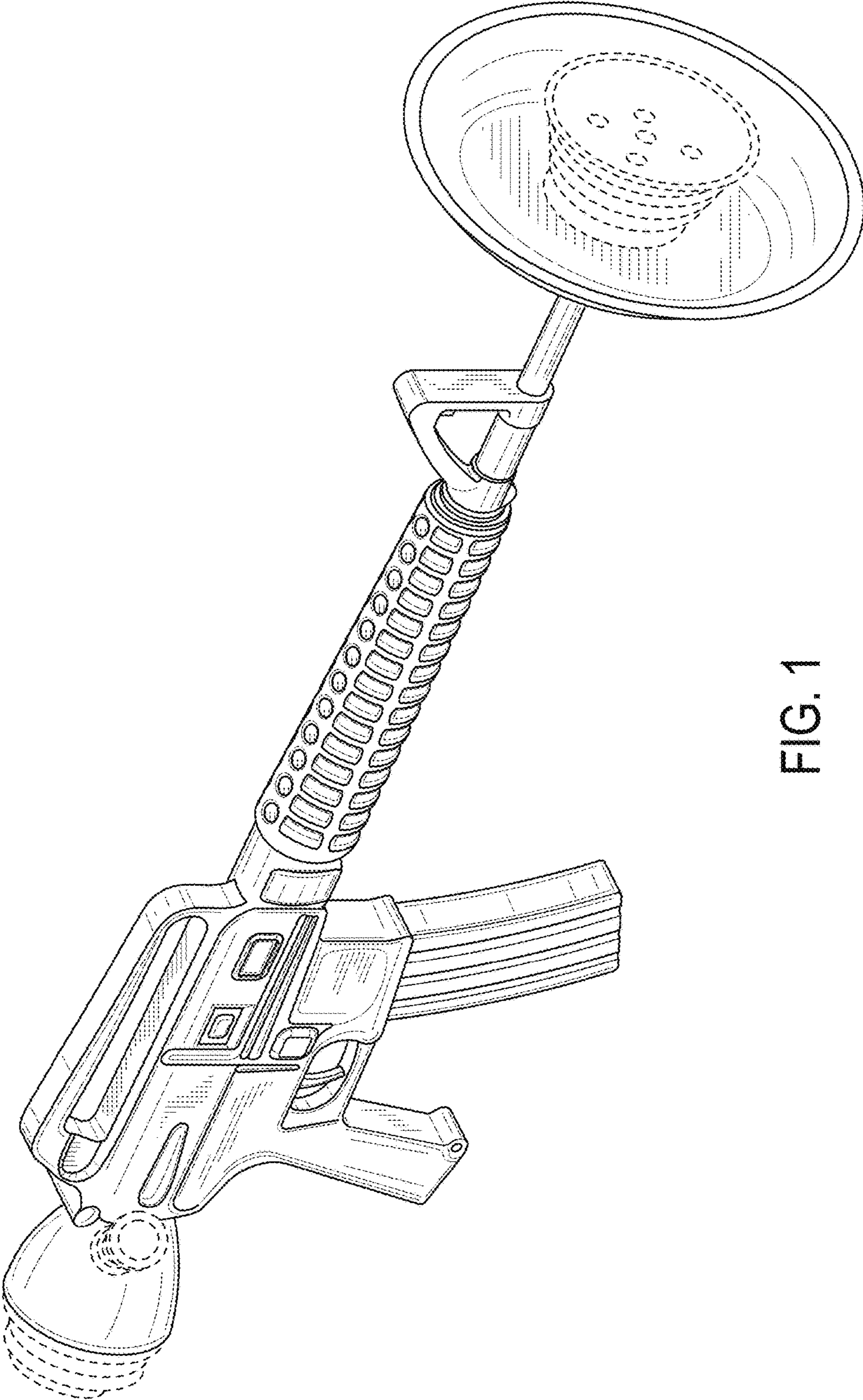


FIG. 1

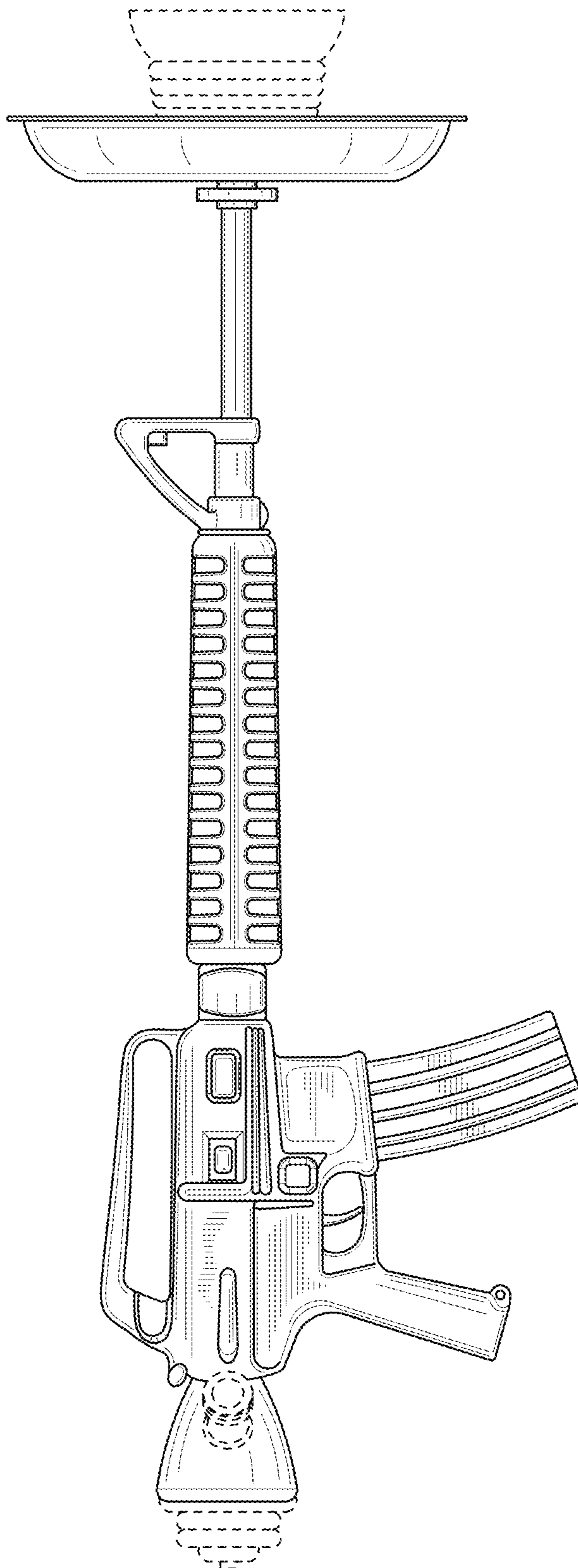


FIG. 2

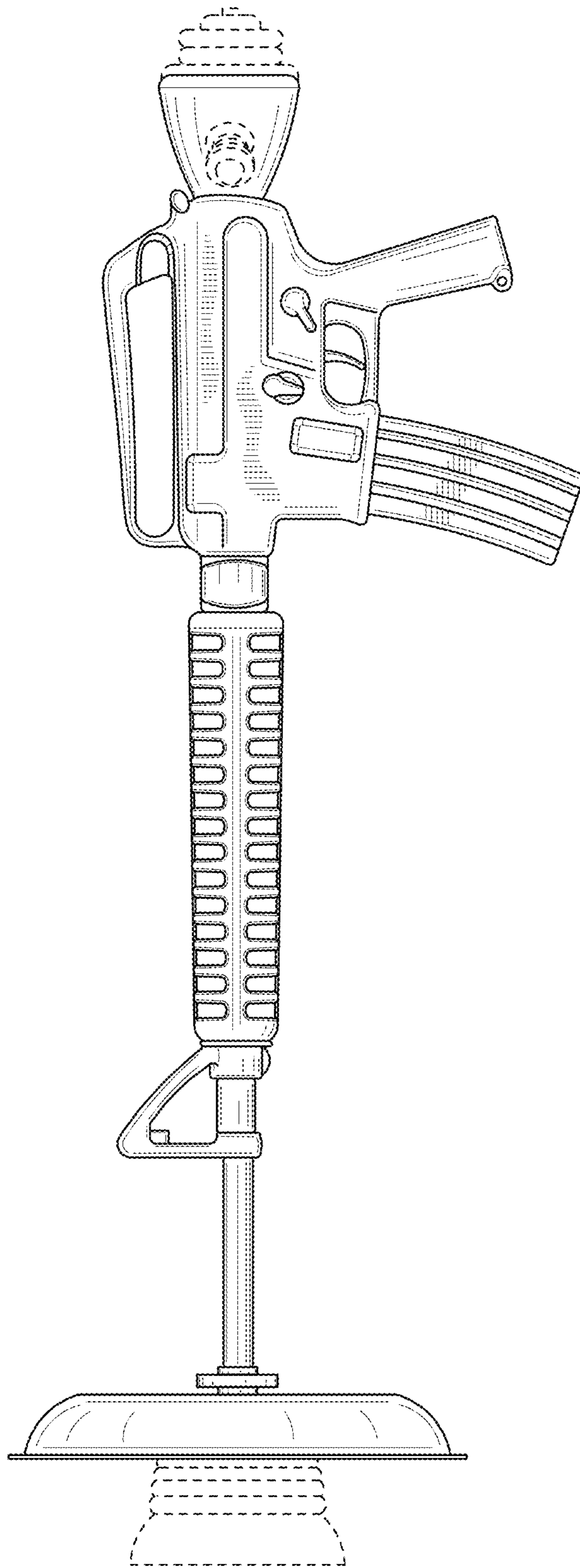


FIG. 3

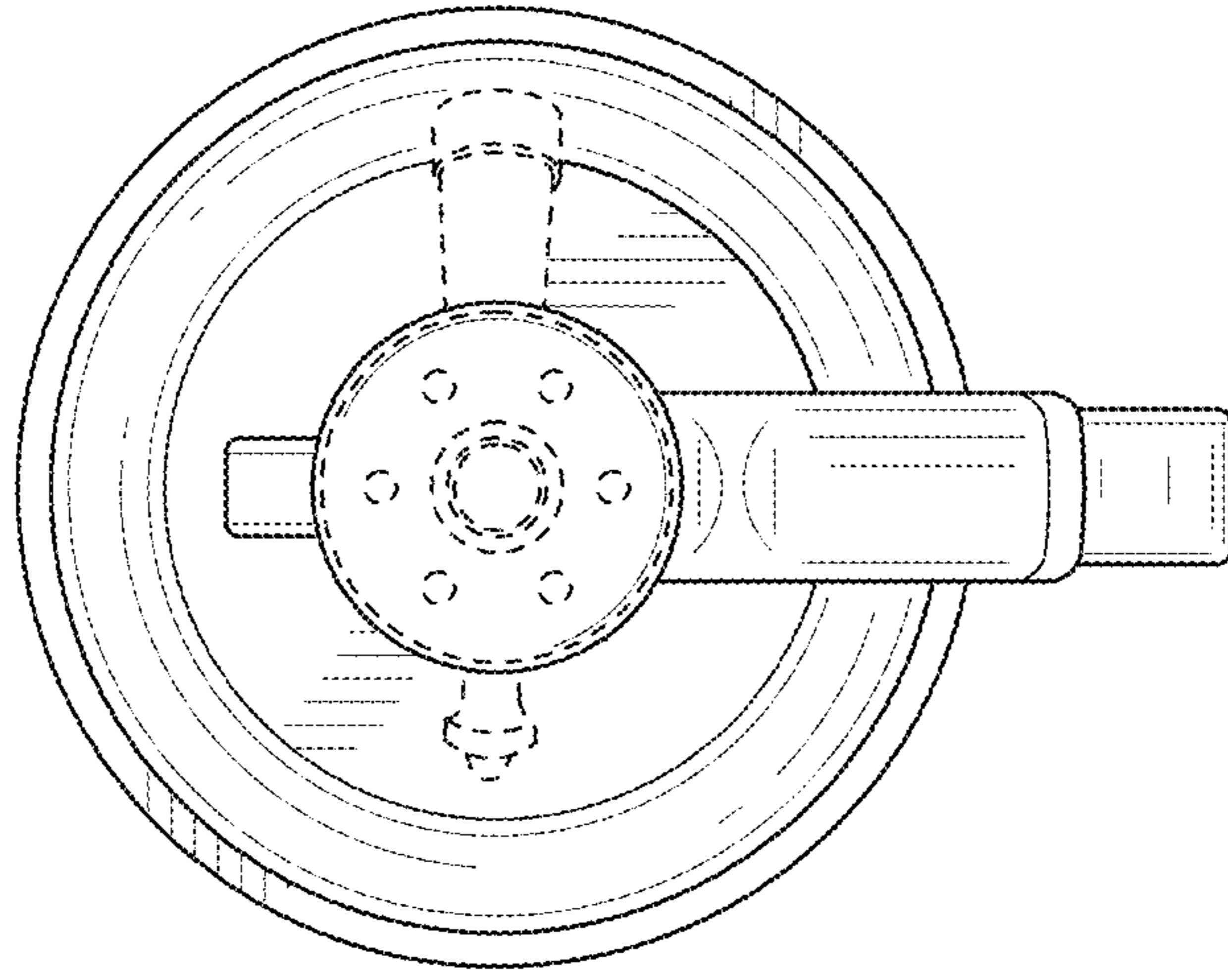


FIG. 5

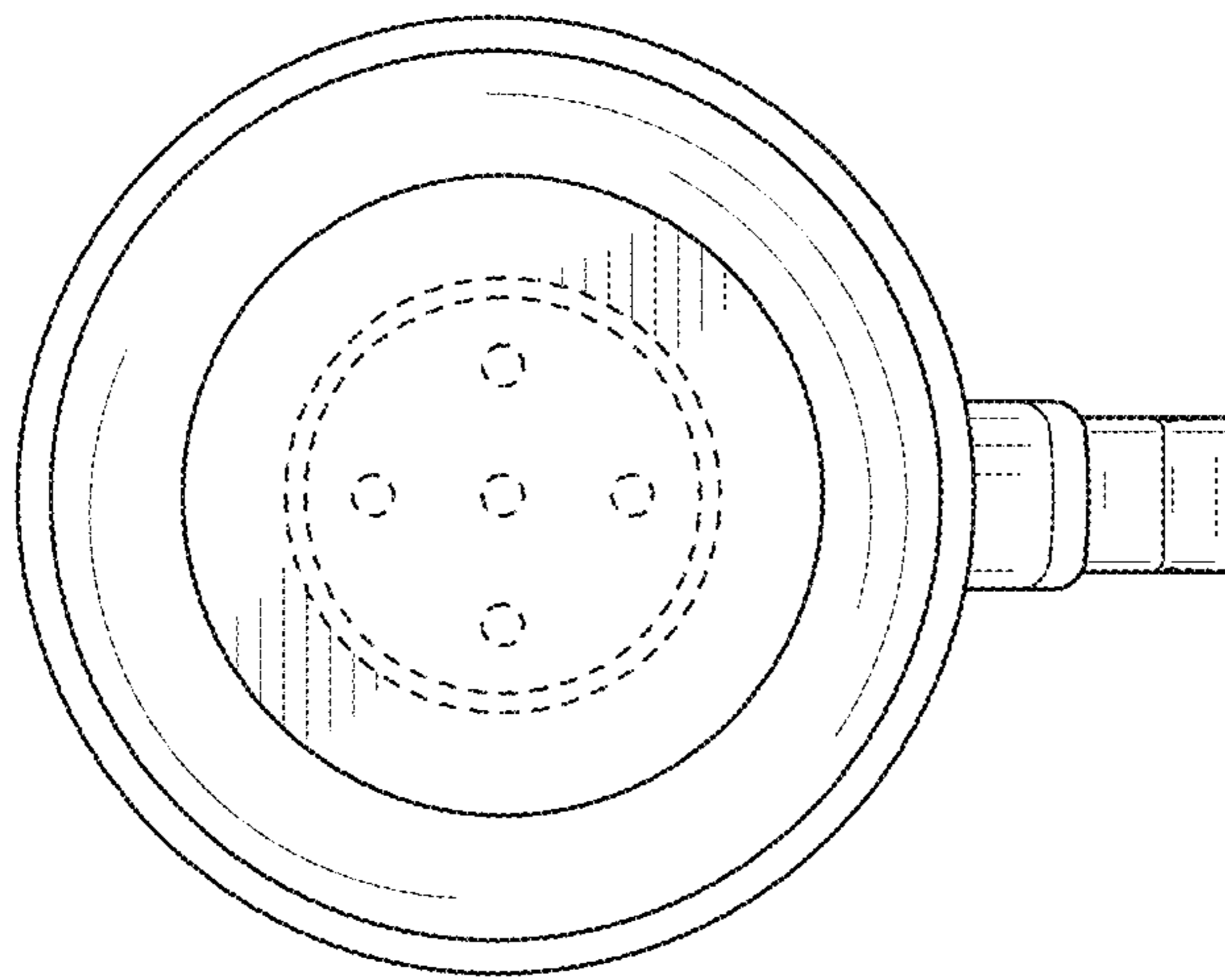


FIG. 4

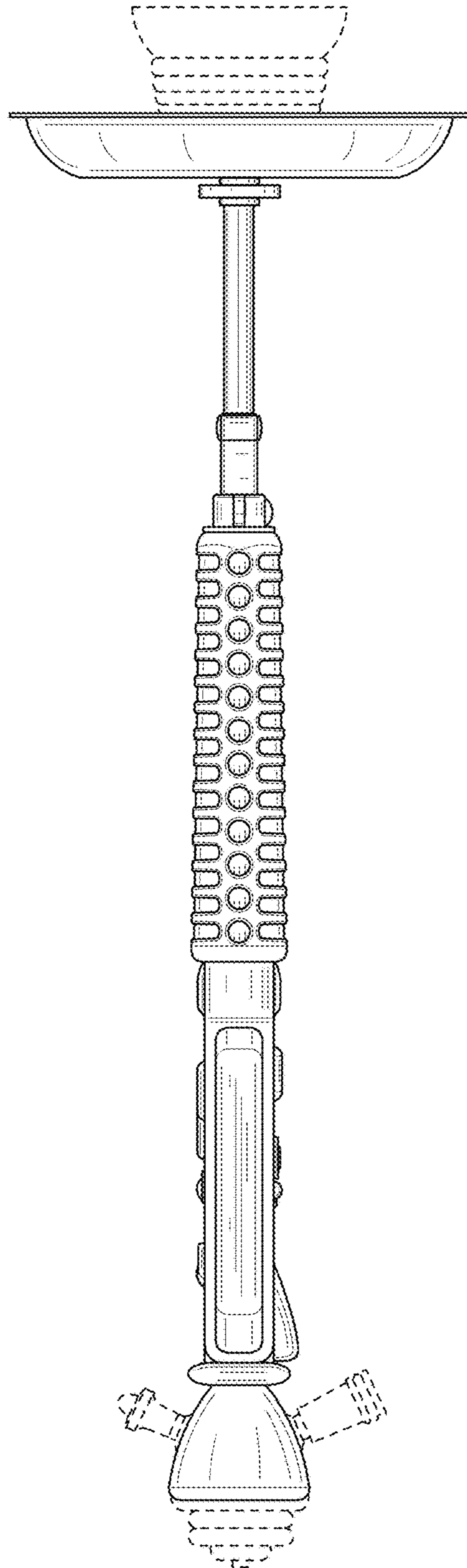


FIG. 6

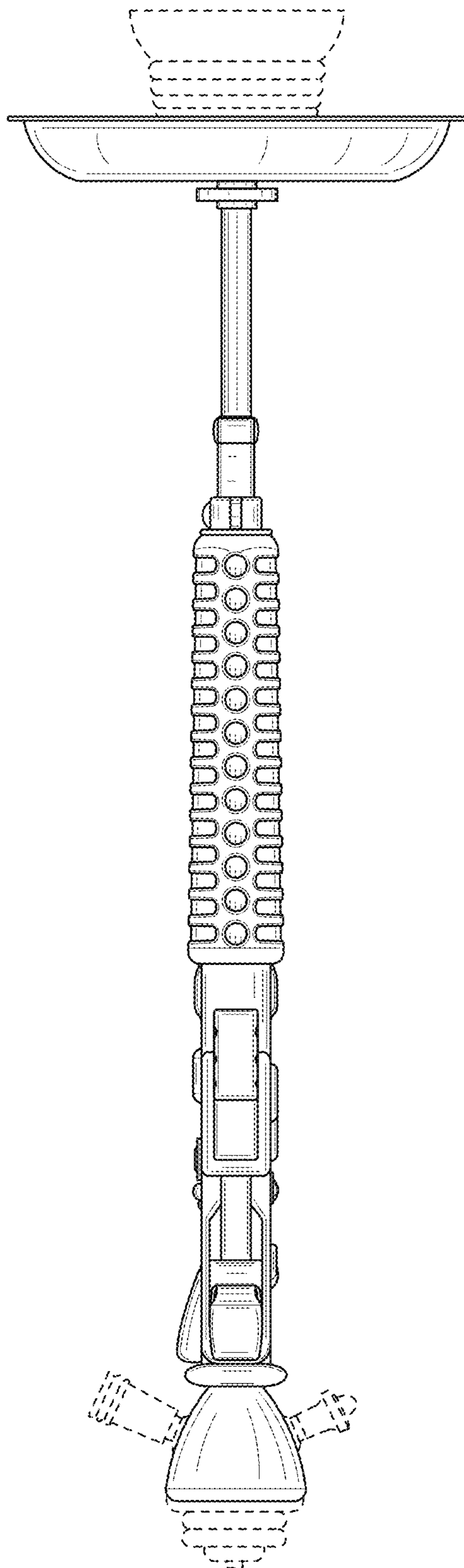


FIG. 7