



US00D779721S

(12) **United States Design Patent**  
**Tsai**

(10) **Patent No.:** **US D779,721 S**

(45) **Date of Patent:** **\*\* Feb. 21, 2017**

(54) **LIGHTER HOLDER**

(71) Applicant: **Hai Pin Tsai**, Hong Kong (CN)

(72) Inventor: **Hai Pin Tsai**, Hong Kong (CN)

(\*\*) Term: **15 Years**

(21) Appl. No.: **29/535,107**

(22) Filed: **Aug. 4, 2015**

D462,514 S *	9/2002	Rivera	.....	D3/228
D471,316 S *	3/2003	Budde	.....	D27/161
D473,437 S *	4/2003	Klein	.....	D8/34
D527,488 S *	8/2006	Hung	.....	D27/161
D586,953 S *	2/2009	Riggio	.....	D27/125
D648,891 S *	11/2011	Heger	.....	D27/161
D678,603 S *	3/2013	Wygle	.....	D27/161
D744,745 S *	12/2015	Fischer	.....	D3/208
D752,806 S *	3/2016	Barton	.....	D27/161
D758,653 S *	6/2016	Ayoub	.....	D27/161
2008/0179362 A1 *	7/2008	Vaysberg	.....	B60R 11/00 224/269
2008/0201862 A1 *	8/2008	Menard- Flanagan	.....	B25H 3/006 7/151

**Related U.S. Application Data**

(63) Continuation-in-part of application No. 29/456,702, filed on Jun. 3, 2013, now abandoned.

(51) **LOC (10) Cl.** ..... **27-05**

(52) **U.S. Cl.**  
USPC ..... **D27/144**

(58) **Field of Classification Search**  
USPC ..... D27/100–112, 120, 125–130, 136,  
D27/137, 138, 143, 161, 162–169, 172,  
D27/175, 180, 183, 193, 194, 195;  
D3/228, 229

CPC ..... F23Q 2/36  
See application file for complete search history.

(56) **References Cited**

**U.S. PATENT DOCUMENTS**

D171,247 S *	1/1954	Charnota	.....	D3/226
D207,618 S *	5/1967	Perry	.....	131/260
D261,775 S *	11/1981	Valigura	.....	D27/161
D298,972 S *	12/1988	Schauer	.....	D27/161
D303,159 S *	8/1989	Heath	.....	D27/172
D370,559 S *	6/1996	Arndt	.....	D3/229
D372,333 S *	7/1996	Pearson	.....	D27/144
D402,400 S *	12/1998	Pausinger	.....	D27/161

\* cited by examiner

*Primary Examiner* — Robert M Spear

*Assistant Examiner* — Marissa J Cash

(74) *Attorney, Agent, or Firm* — Garcia-Zamor IP Law;  
Ruy M. Garcia-Zamor

(57) **CLAIM**

I claim the ornamental design for a lighter holder, as shown and described.

**DESCRIPTION**

FIG. 1 is a bottom front perspective view of the lighter holder of my new design;

FIG. 2 is a top front perspective view thereof;

FIG. 3 is a front elevational view thereof;

FIG. 4 is a rear elevational view thereof;

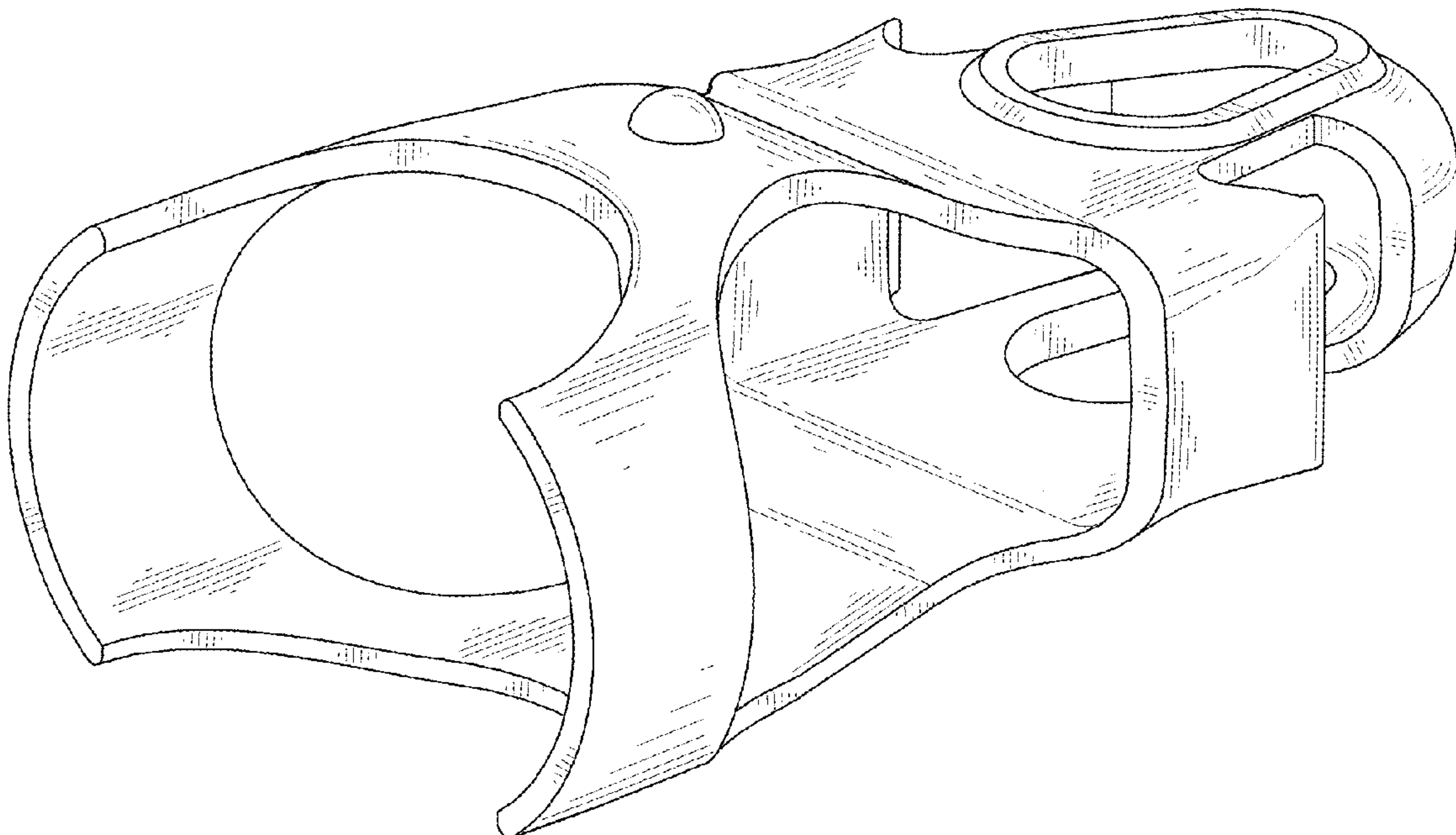
FIG. 5 is a left side elevational view thereof;

FIG. 6 is a right side elevational view thereof;

FIG. 7 is a top plan view thereof; and,

FIG. 8 is a bottom plan view thereof.

**1 Claim, 8 Drawing Sheets**



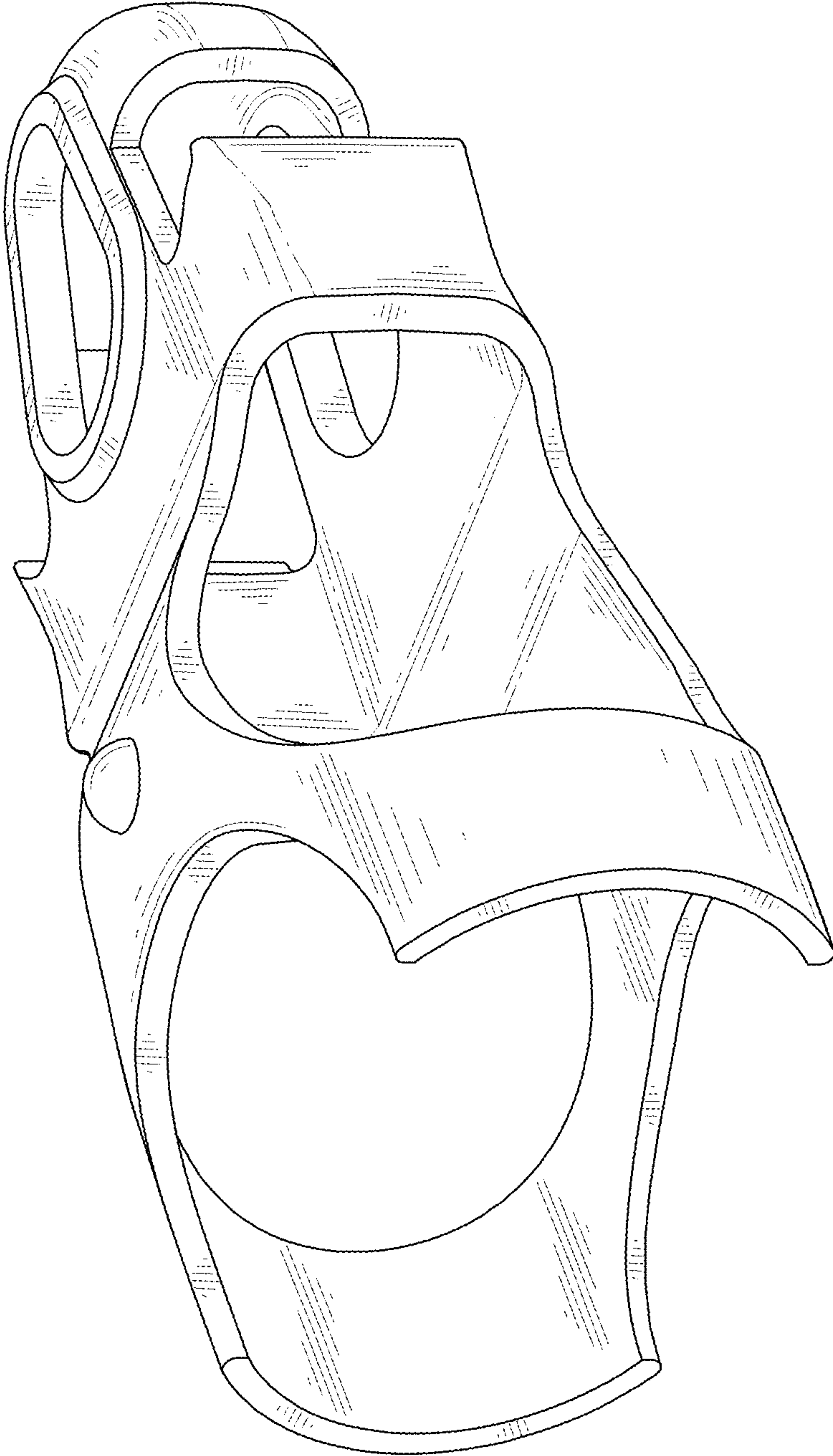


FIG. 1

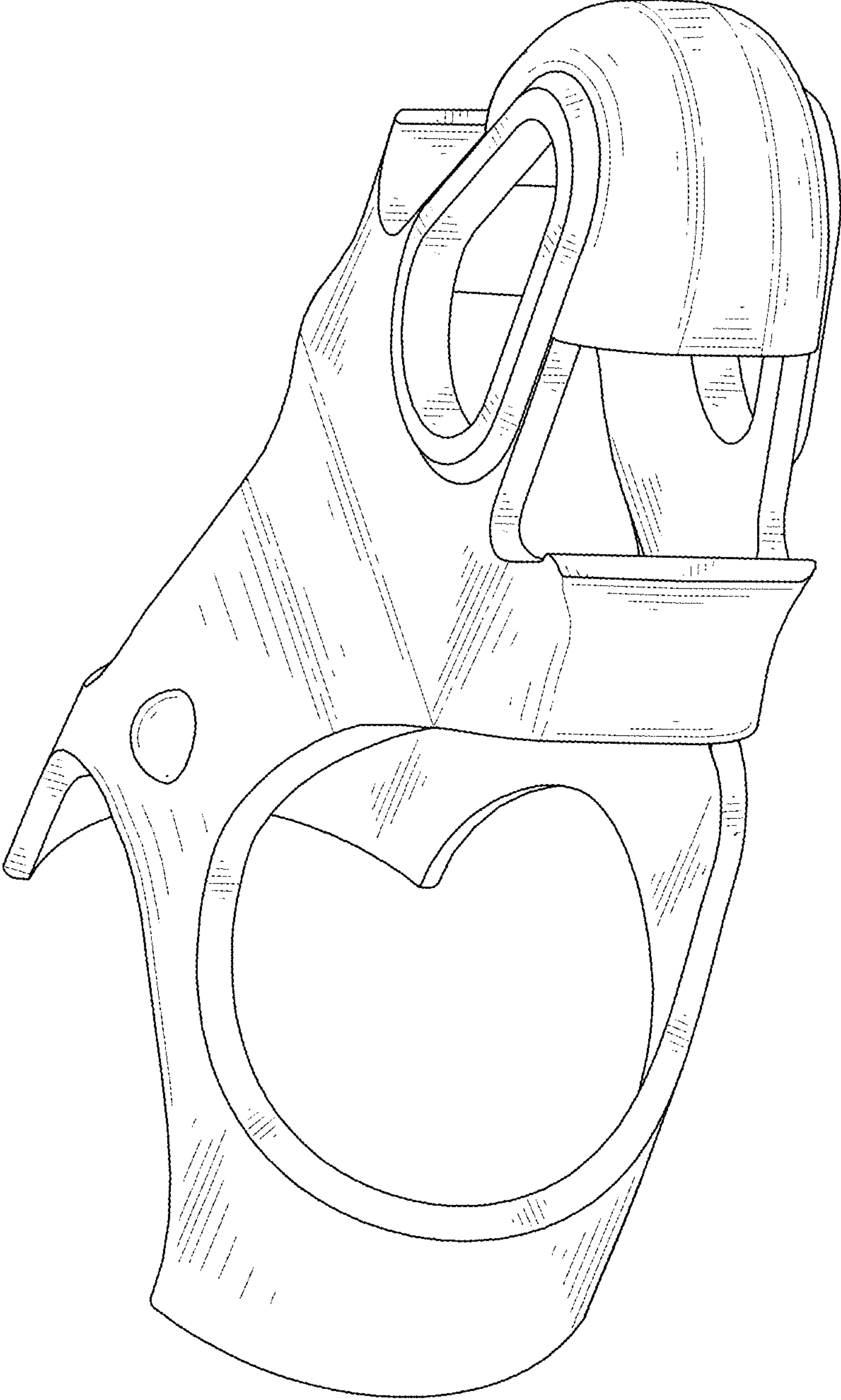


FIG. 2

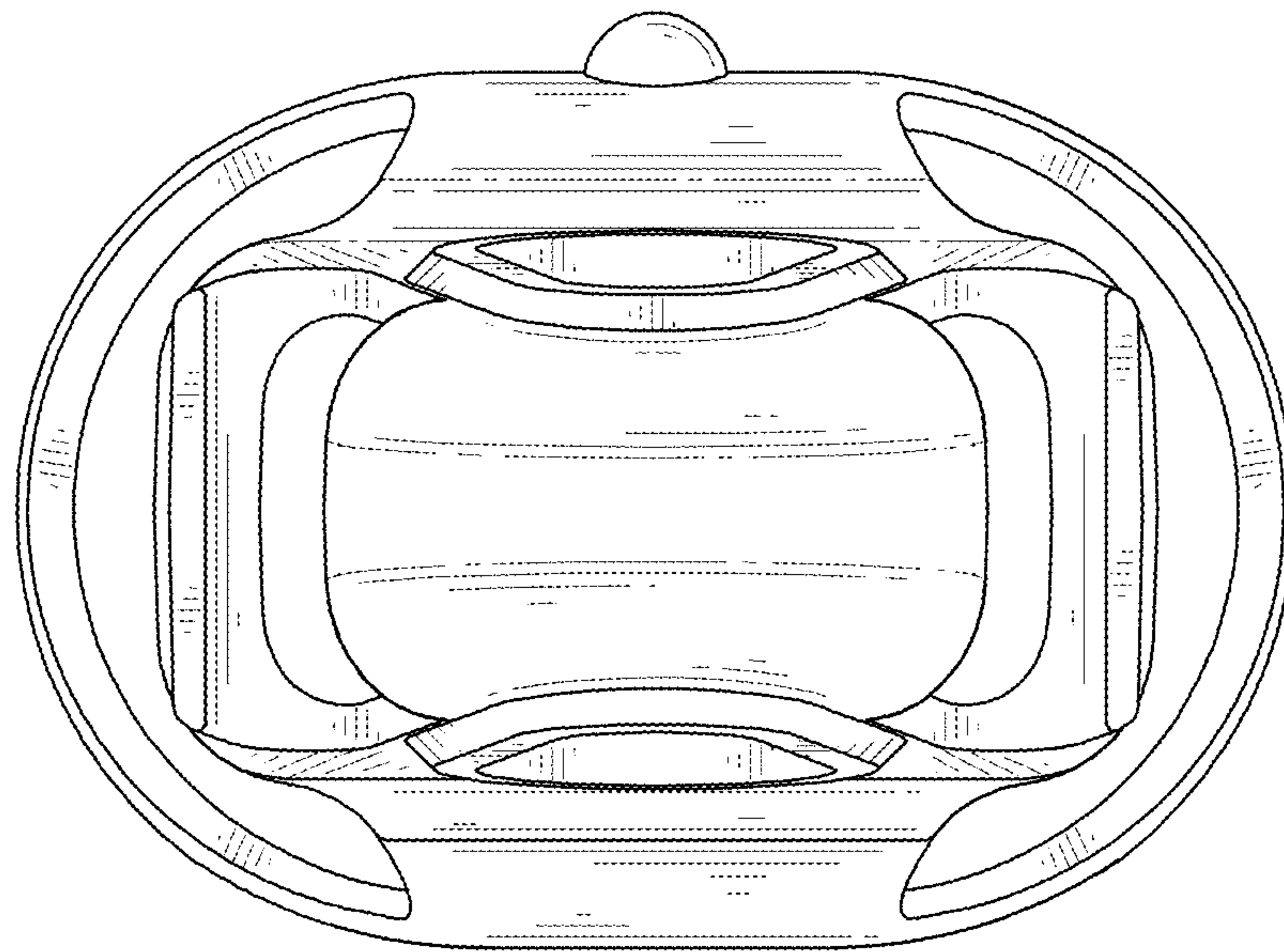


FIG. 3



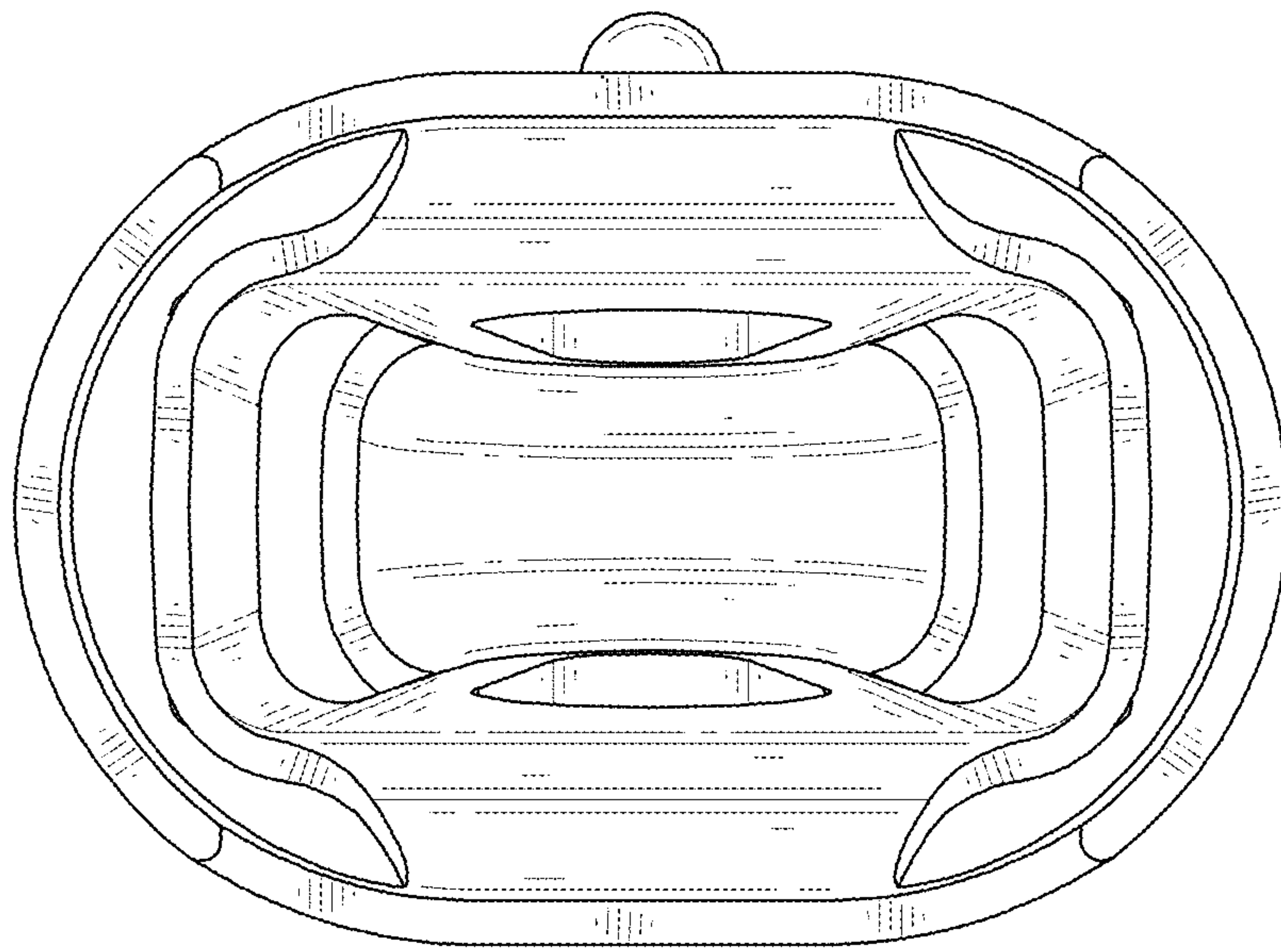


FIG. 4

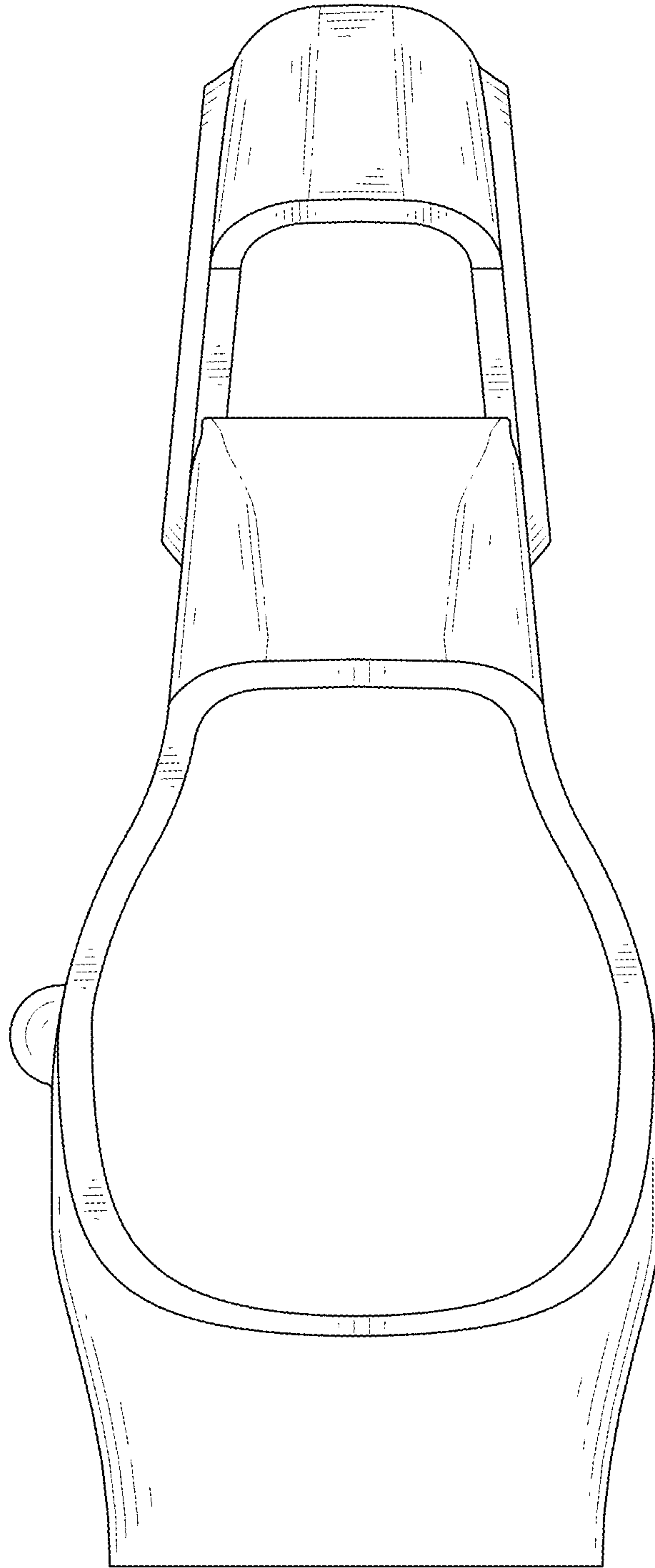


FIG. 5

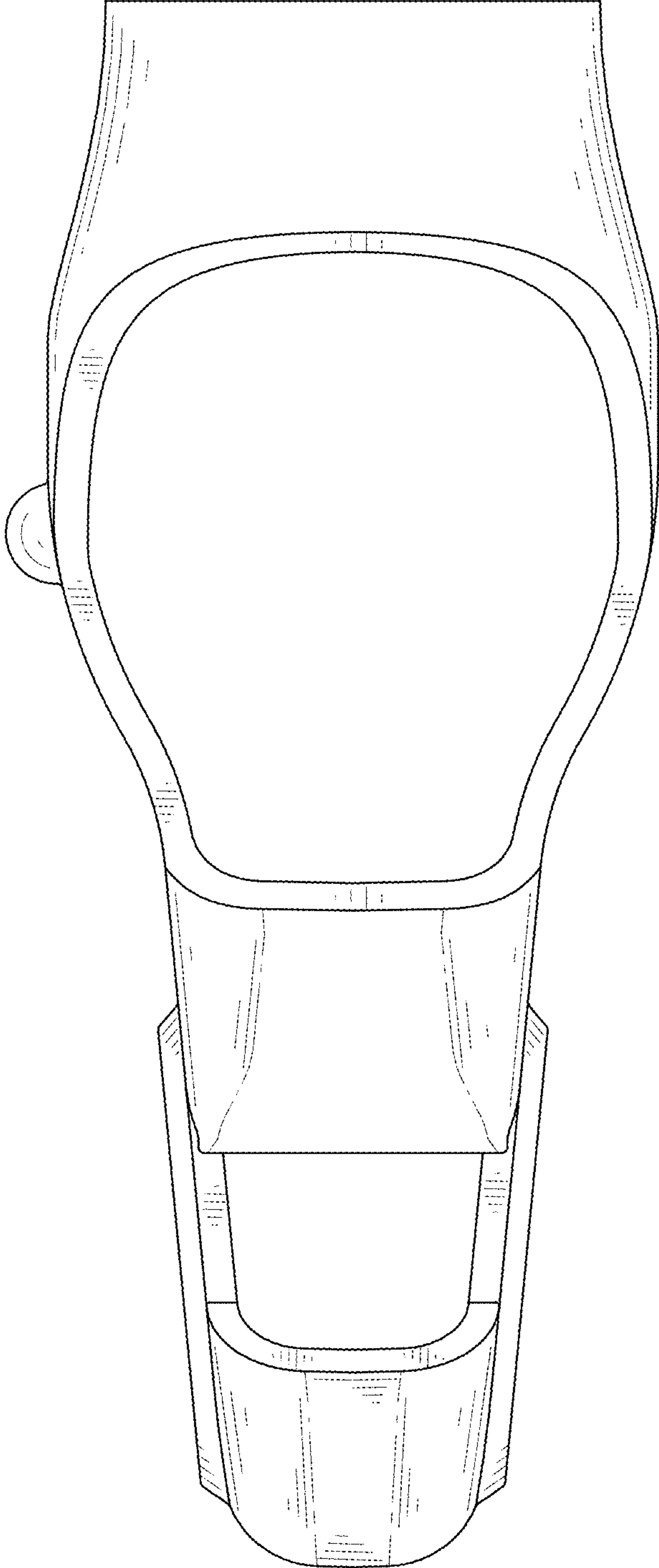


FIG. 6

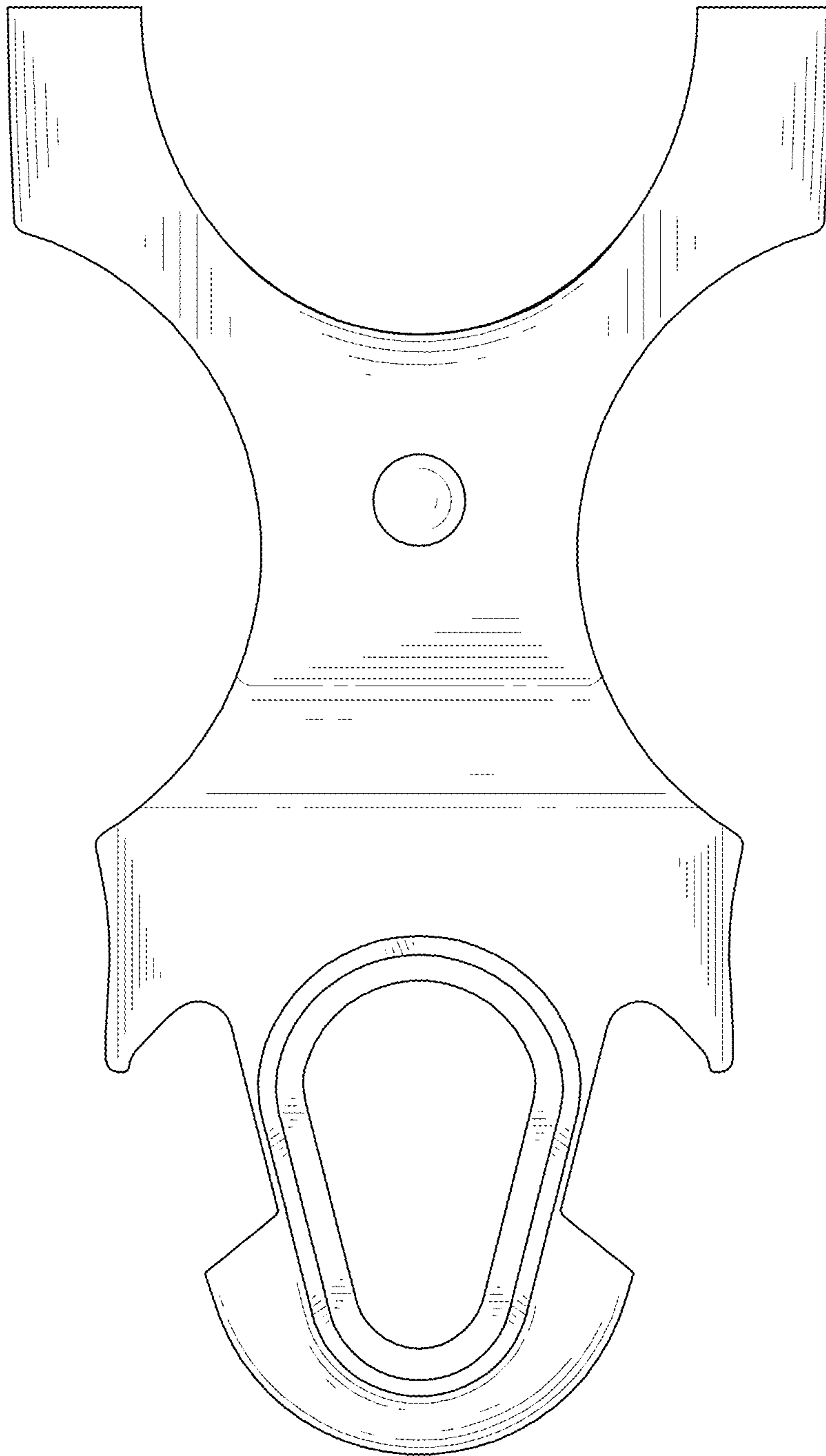


FIG. 7



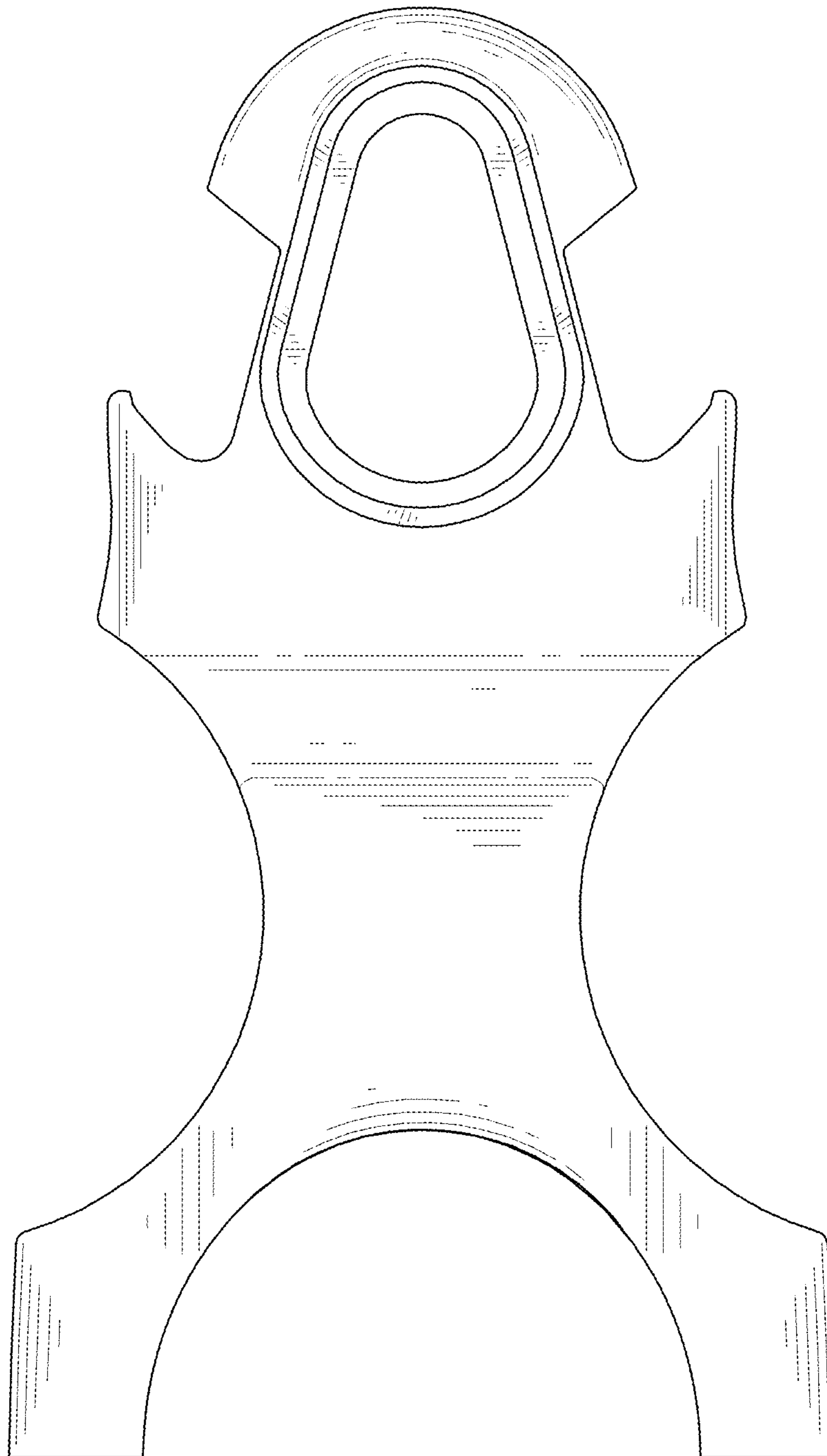


FIG. 8