



US00D779719S

(12) **United States Design Patent** (10) **Patent No.:** **US D779,719 S**
Qiu (45) **Date of Patent:** **** Feb. 21, 2017**

(54) **ELECTRONIC CIGARETTE**
(71) Applicant: **Joyetech Europe Holding GmbH, Zug**
(CH)
(72) Inventor: **Weihua Qiu, Jiangsu (CN)**
(73) Assignee: **Joyetech Europe Holding GmbH, Zug**
(CH)
(**) Term: **15 Years**
(21) Appl. No.: **29/545,193**
(22) Filed: **Nov. 10, 2015**

(30) **Foreign Application Priority Data**
Sep. 29, 2015 (CN) 2015 3 0381722
(51) **LOC (10) Cl.** **27-01**
(52) **U.S. Cl.**
USPC **D27/101**
(58) **Field of Classification Search**
USPC D27/100, 101, 162, 163-167, 169,
170,D27/171, 193, 194; D23/202;
D13/103
CPC A24F 47/008; A24F 47/002; A24F 15/12;
A24F 47/00
See application file for complete search history.

(56) **References Cited**
U.S. PATENT DOCUMENTS
D532,927 S * 11/2006 Sann D27/101
D614,346 S * 4/2010 Lik D27/101
D633,560 S * 3/2011 Clivio D19/167
D720,095 S * 12/2014 Alima D27/101
D720,496 S * 12/2014 Alima D27/101
D720,881 S * 1/2015 Liu D27/101
D721,202 S * 1/2015 Liu D27/101
D723,215 S * 2/2015 Chen D27/101

D723,216 S * 2/2015 Chen D27/101
D725,310 S * 3/2015 Eksouzian D27/101
D725,821 S * 3/2015 Levin D27/101
D725,822 S * 3/2015 Liu D27/101
D728,156 S * 4/2015 Wu D27/101
D730,571 S * 5/2015 Chen D27/101
D732,239 S * 6/2015 Chen D27/101
D748,853 S * 2/2016 Seibel D27/101
D757,352 S * 5/2016 Bagai D27/101
D757,353 S * 5/2016 Nunnelly D27/101
D758,651 S * 6/2016 Wu D27/101
2013/0068239 A1* 3/2013 Youn A24F 47/008
131/273
2015/0150305 A1* 6/2015 Shenkal A24F 47/008
131/329

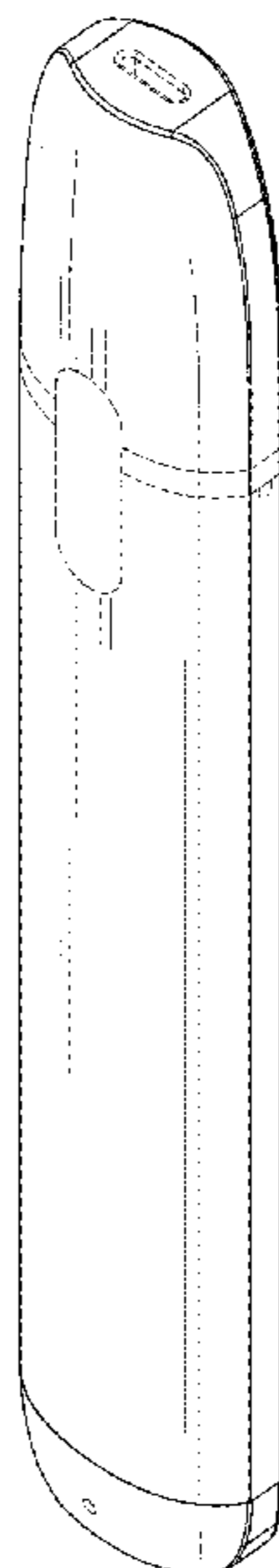
(Continued)

Primary Examiner — Robert M Spear
Assistant Examiner — Marissa J Cash
(74) *Attorney, Agent, or Firm* — Novick, Kim & Lee,
PLLC; Allen Xue

(57) **CLAIM**
I claim the ornamental design for an electronic cigarette,
substantially as shown and described.

DESCRIPTION
FIG. 1 is a front view of an electronic cigarette;
FIG. 2 is a bottom view thereof;
FIG. 3 is a top view thereof;
FIG. 4 is a right view thereof;
FIG. 5 is a rear view thereof;
FIG. 6 is a left view thereof; and,
FIG. 7 is a top, right, rear perspective view thereof.
The broken lines immediately adjacent the shaded lines
represent the bounds of the claimed design while all other
broken lines in the drawings are directed to environment and
are for illustrative purposes only; the broken lines form no
part of the claimed design.

1 Claim, 6 Drawing Sheets



(56)

References Cited

U.S. PATENT DOCUMENTS

2015/0342255 A1* 12/2015 Wu A61M 15/06
131/329

* cited by examiner

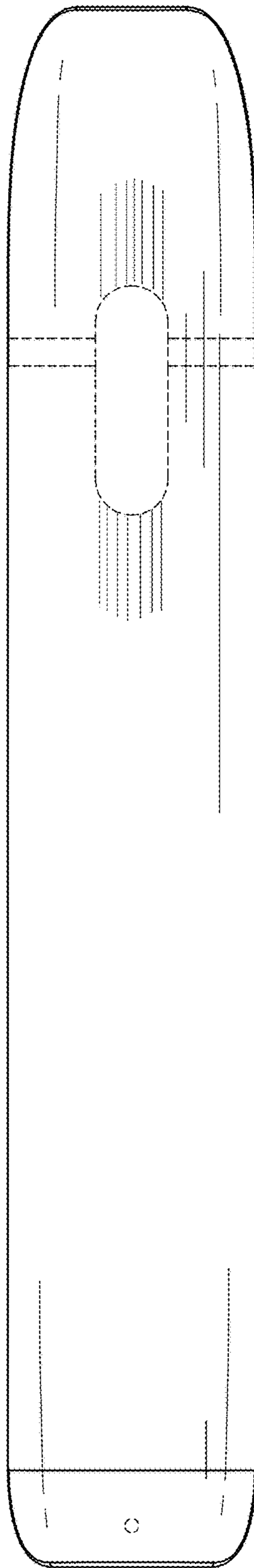


FIG. 1

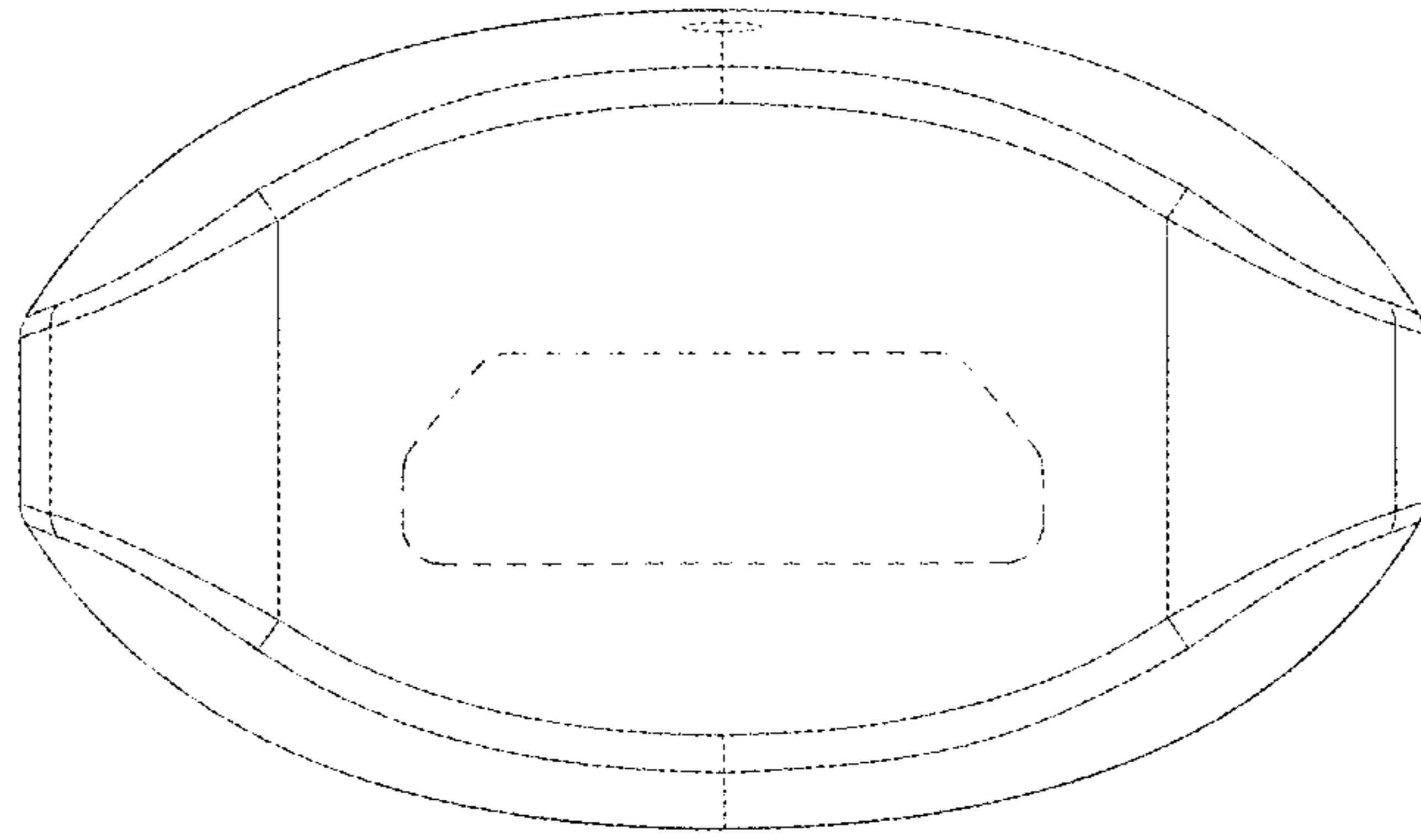


Fig. 2

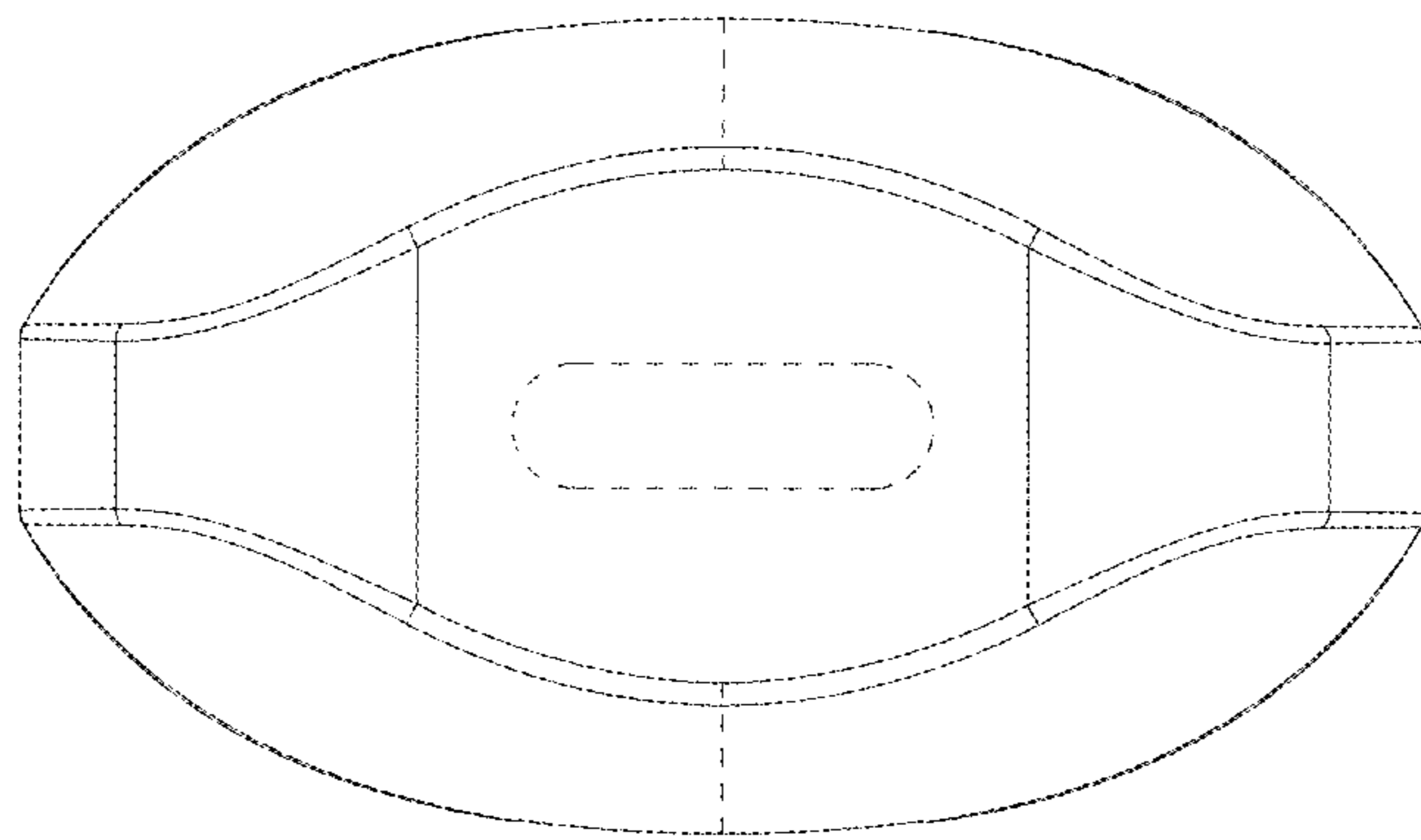


Fig. 3

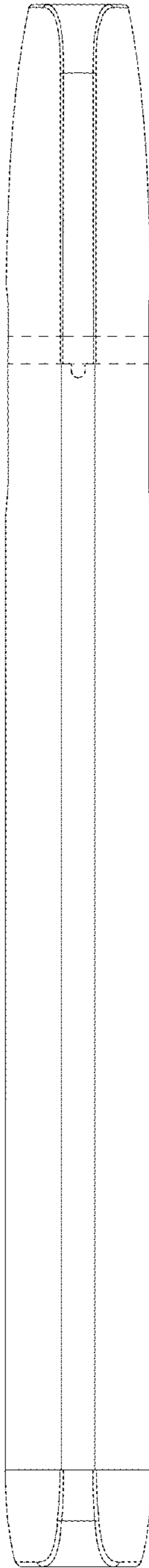


Fig. 4

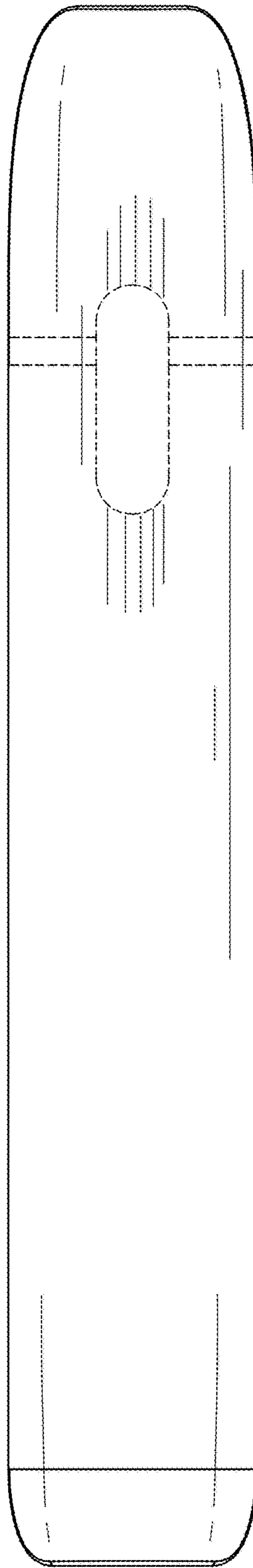


FIG. 5

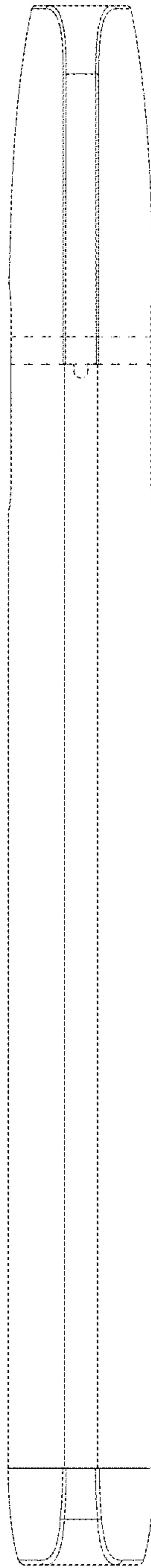


Fig. 6

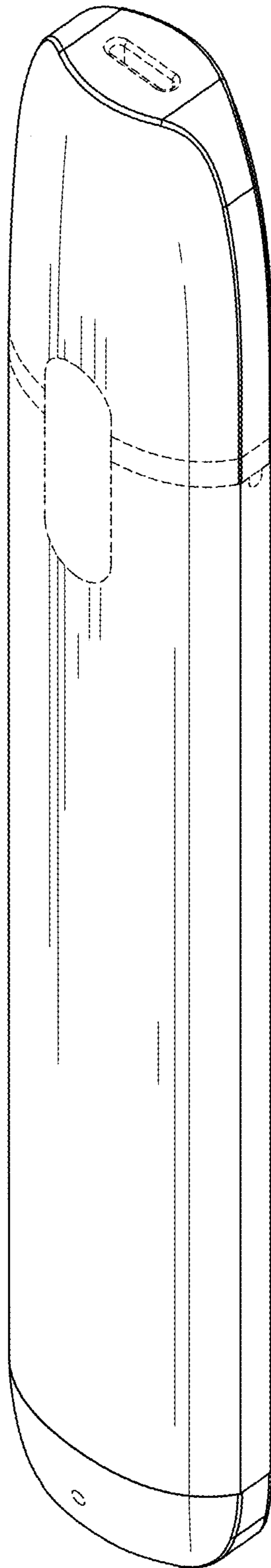


FIG. 7