



US00D779717S

(12) **United States Design Patent**
Shiening Wang

(10) **Patent No.:** **US D779,717 S**

(45) **Date of Patent:** **** *Feb. 21, 2017**

- (54) **CORDLESS LED LAMP**
- (71) Applicant: **Pilot, Inc.**, City of Industry, CA (US)
- (72) Inventor: **Calvin Shiening Wang**, City of Industry, CA (US)
- (73) Assignee: **Pilot, Inc.**, City of Industry, CA (US)
- (*) Notice: This patent is subject to a terminal disclaimer.
- (**) Term: **15 Years**
- (21) Appl. No.: **29/546,030**
- (22) Filed: **Nov. 18, 2015**
- (51) **LOC (10) Cl.** **26-99**
- (52) **U.S. Cl.**
USPC **D26/142**
- (58) **Field of Classification Search**
USPC D26/2, 28, 72, 89, 113, 118, 119, 120,
D26/122, 124, 128, 138, 142, 143, 145,
D26/60; D13/180
CPC F41C 27/00; F41C 33/0254; G02B 5/045;
G02B 5/189; F21S 8/00; F21S 8/03; F21S
8/026; F21S 8/02; F21S 8/003; F21S
8/043; F21S 8/06; F21S 8/04; F21V
7/005; F21V 15/01; F21V 15/04; F21V
25/00; G02F 2001/133607; F21Y 2103/00
See application file for complete search history.

- (56) **References Cited**
U.S. PATENT DOCUMENTS
D271,526 S * 11/1983 Zeller D26/60
D274,473 S * 6/1984 de Boer D26/60
D278,461 S * 4/1985 Pepall D24/210
D280,030 S * 8/1985 Matthews D26/60
D287,412 S * 12/1986 Fung D26/60
D290,884 S * 7/1987 Sano D26/65
D407,517 S * 3/1999 Zeller D26/60

- D436,202 S * 1/2001 Chen D26/60
- D449,126 S * 10/2001 Zeller D26/60
- D509,012 S * 8/2005 Chan D26/60
- D522,156 S * 5/2006 Schnell D26/60
- D522,157 S * 5/2006 Schnell D26/60
- D526,433 S * 8/2006 Li D26/37
- D539,458 S * 3/2007 Cooper D26/60
- D542,455 S * 5/2007 Newcomb D26/60
- D562,485 S * 2/2008 Brown D26/60
- D571,943 S * 6/2008 Tragatschnig D26/61
- D580,578 S * 11/2008 Chien D26/63
- D590,532 S * 4/2009 Levine D26/60
- D599,929 S * 9/2009 Huang D26/63
- D608,047 S * 1/2010 Scheper D26/138
- D635,707 S * 4/2011 Ng D26/60
- D636,917 S * 4/2011 Nelson D26/60
- D636,919 S * 4/2011 Wang D26/63
- D642,315 S * 7/2011 Yu Chung Han D26/65
- D647,906 S * 11/2011 Shen D14/423
- D649,672 S * 11/2011 Wang D26/65
- D654,199 S * 2/2012 Xie D26/63
- D671,665 S * 11/2012 Mish D26/60
- D699,242 S * 2/2014 Hu D14/423

(Continued)

Primary Examiner — Rosemary K Tarcza
Assistant Examiner — Sanjeev Paul
(74) *Attorney, Agent, or Firm* — Sheridan Ross PC

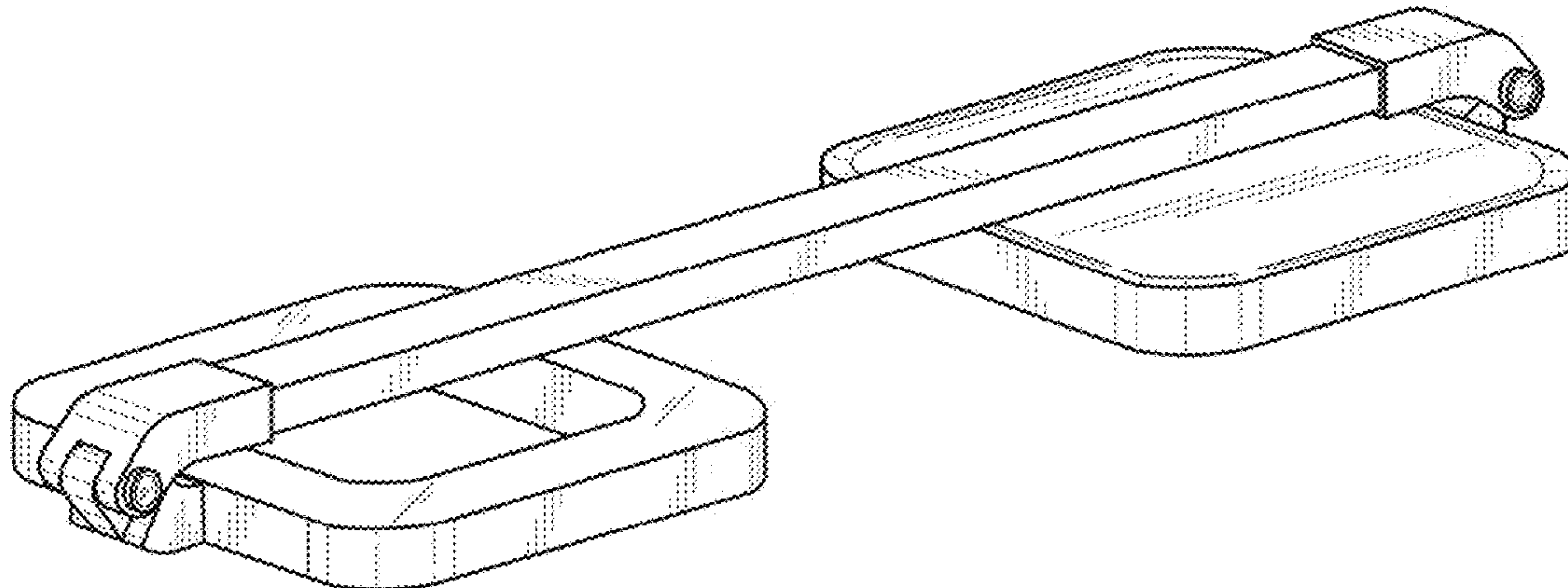
(57) **CLAIM**

The ornamental design for a cordless LED lamp, as shown and described.

DESCRIPTION

FIG. 1 is an isometric elevational view of a cordless LED lamp showing my new design;
FIG. 2 is a right side elevational view thereof;
FIG. 3 is a left side elevational view thereof;
FIG. 4 is a front elevational view thereof;
FIG. 5 is a rear elevation view thereof;
FIG. 6 is a bottom plan view thereof; and,
FIG. 7 is a top plan view thereof.

1 Claim, 7 Drawing Sheets



(56)

References Cited

U.S. PATENT DOCUMENTS

D709,502	S	*	7/2014	Shen	D14/423
D709,889	S	*	7/2014	Shen	D14/423
D715,300	S	*	10/2014	Shen	D14/423
D720,879	S	*	1/2015	Blum	D26/142
D732,217	S	*	6/2015	Wiedenmann	D26/60
D737,492	S	*	8/2015	Li	D26/60
D753,860	S	*	4/2016	Chen	D26/60
2003/0179572	A1	*	9/2003	Schnell	F21V 21/0885 362/191
2007/0052385	A1	*	3/2007	Fan	F21S 8/086 320/101
2009/0180284	A1	*	7/2009	Lin	F21S 6/003 362/294
2014/0169007	A1	*	6/2014	Polick	F21S 6/003 362/427
2014/0347847	A1	*	11/2014	Chung	F21V 21/02 362/147

* cited by examiner

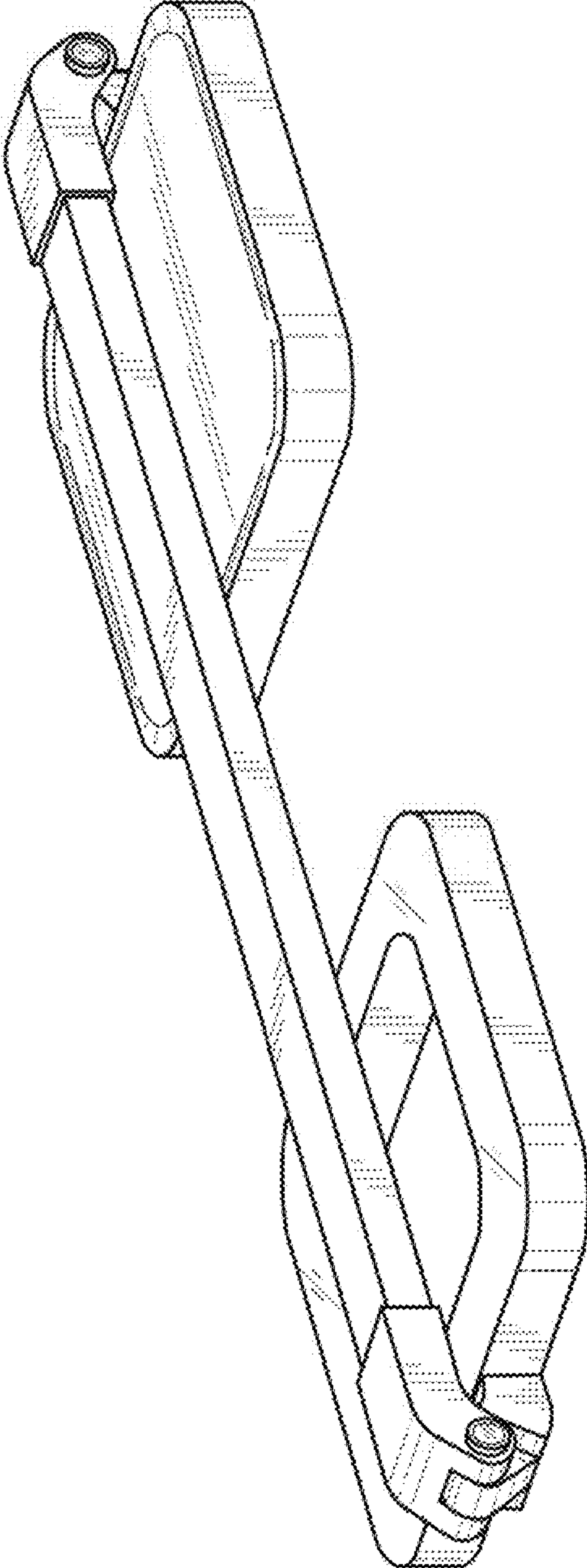


FIG. 1

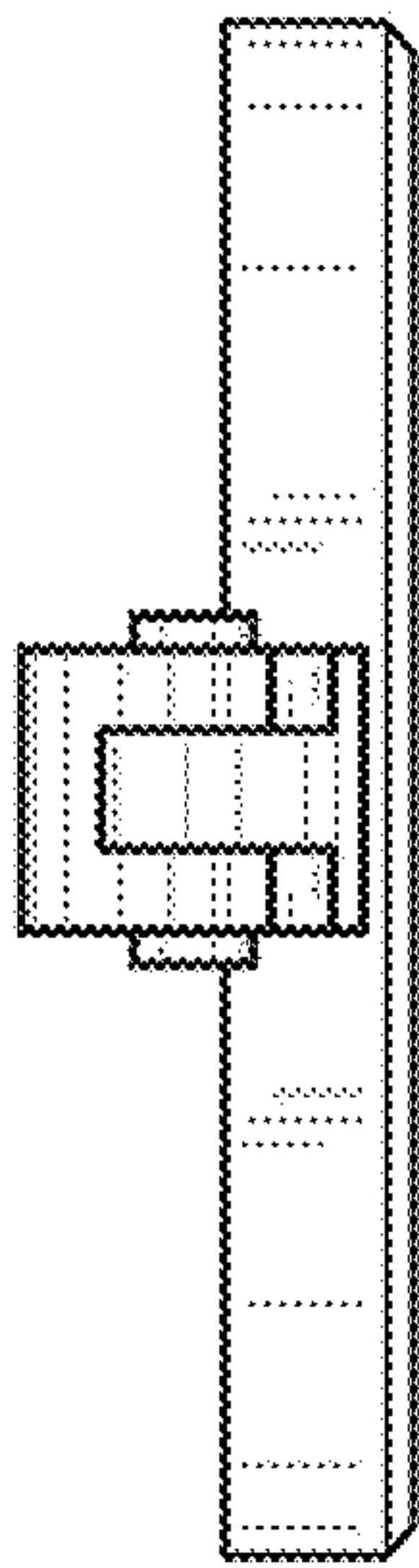


FIG. 2

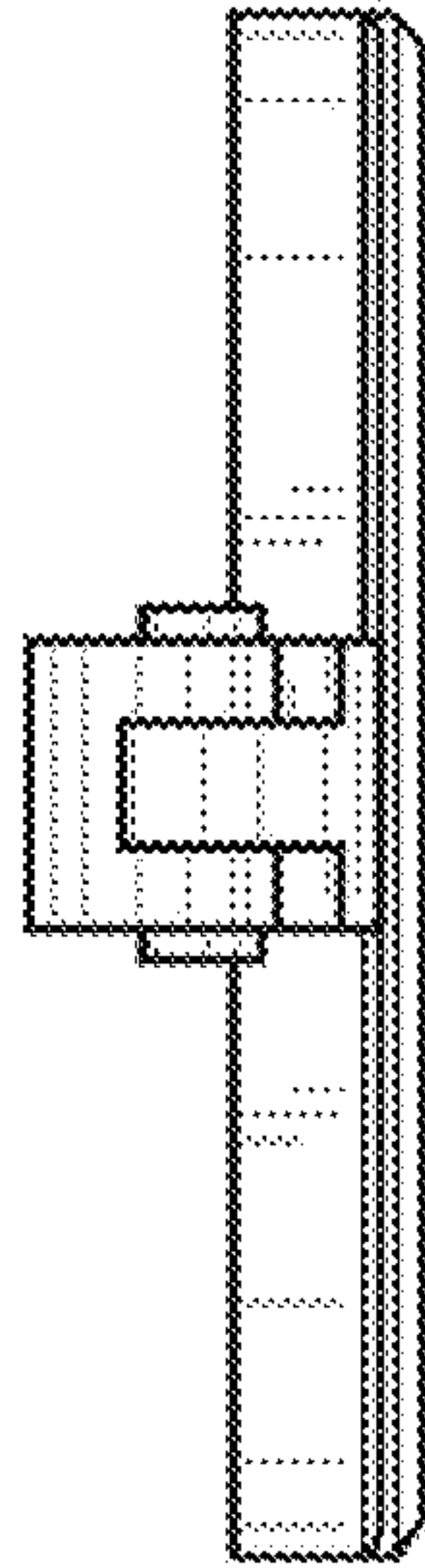


FIG. 3

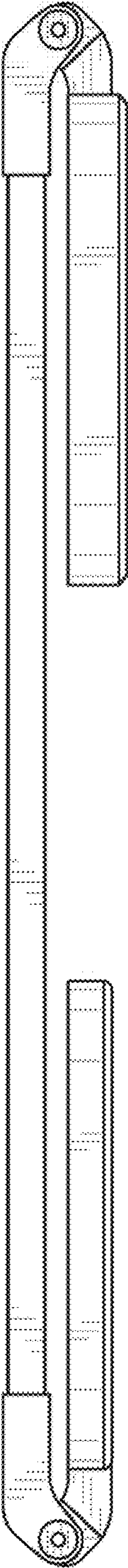


FIG. 4

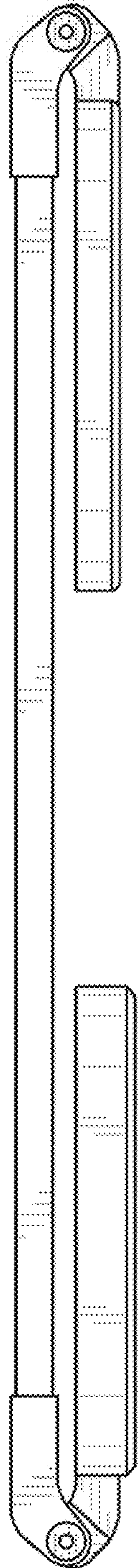


FIG. 5

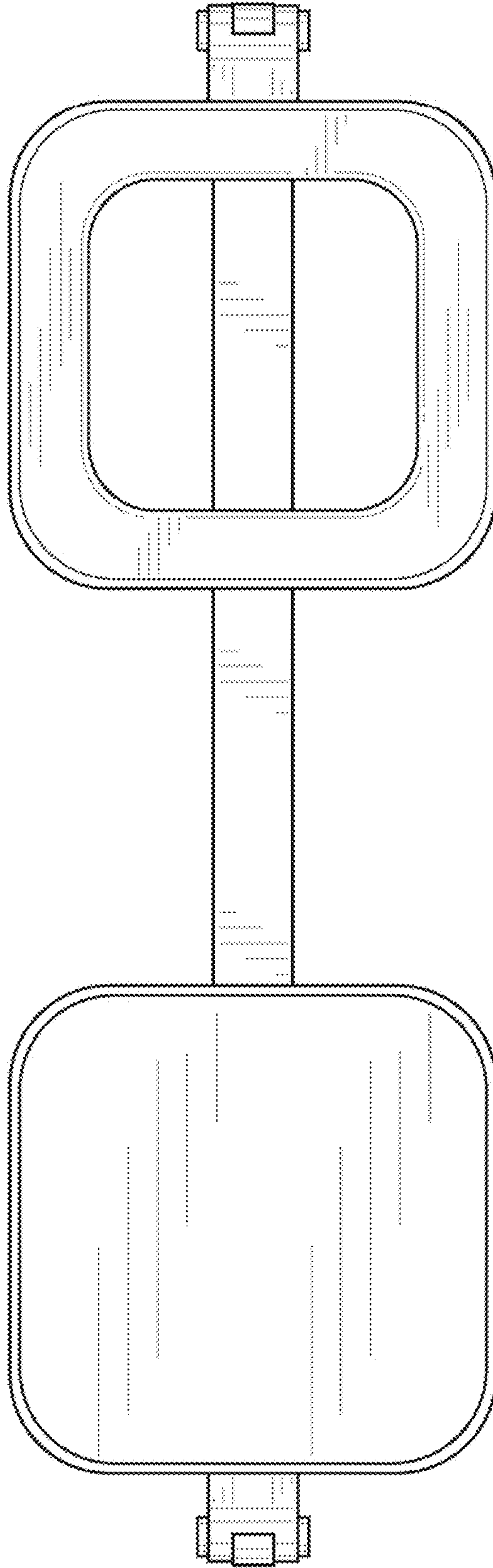


FIG. 6

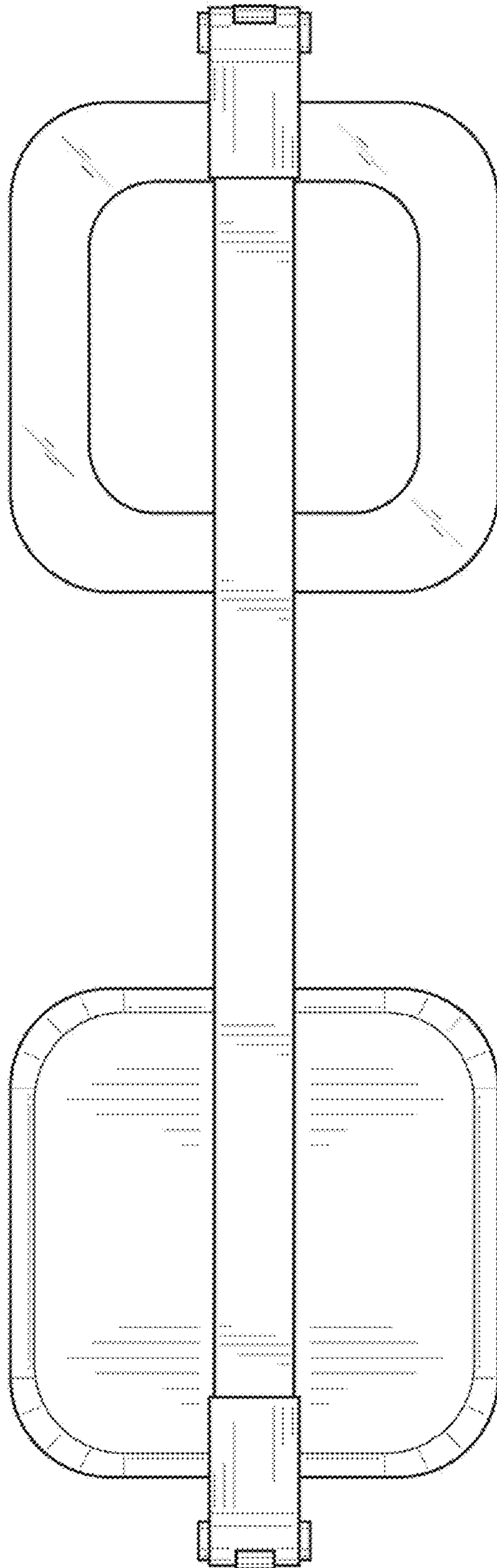


FIG. 7