



US00D779716S

(12) **United States Design Patent** (10) **Patent No.:** **US D779,716 S**
Curic et al. (45) **Date of Patent:** **** Feb. 21, 2017**

(54) **VEHICLE FOG LAMP BEZEL COVER**

OTHER PUBLICATIONS

- (71) Applicant: **Ford Motor Company**, Dearborn, MI (US)
- (72) Inventors: **Kemal Curic**, West Bloomfield, MI (US); **Darrell Behmer**, Novi, MI (US); **Christopher Svensson**, Clemsford (GB); **Moray Callum**, Ann Arbor, MI (US); **Joel Piaskowski**, Dusseldorf (DE)
- (73) Assignee: **Ford Motor Company**, Dearborn, MI (US)

Ronan Glon. Ford Reveals one-off F-35-Inspired 2015 Mustang GT. Jul. 25, 2014 [online], [retrieved on Aug. 27, 2014] Retrieved from the Internet <URL: <http://www.leftlanenews.com/ford-mustang-gt-f-35-lightening-ii-edition.html>>.

2016 Ford Mustang SVT Spied 'Ring testing once again. [retrieved on Aug. 27, 2014] Retrieved from the Internet <URL: <http://www.worldcarfans.com/114071878374/2013-ford-mustang-svt-spied-ring-testing-once-again.html>>.

(**) Term: **14 Years**

* cited by examiner

(21) Appl. No.: **29/507,182**

Primary Examiner — Ian Simmons

(22) Filed: **Oct. 24, 2014**

Assistant Examiner — Harold Blackwell, II

(51) **LOC (10) Cl.** **26-99**

(74) *Attorney, Agent, or Firm* — Damian Porcari

(52) **U.S. Cl.**

USPC **D26/139**

(58) **Field of Classification Search**

USPC D26/28–36, 139; 362/459–468, 475–478, 362/485, 486, 487

CPC B60Q 1/02; B60Q 1/04

See application file for complete search history.

(56) **References Cited**

U.S. PATENT DOCUMENTS

D564,130 S *	3/2008	Conway	D26/139
D576,765 S *	9/2008	Song	D26/139
D611,189 S *	3/2010	Elliott	D26/139
D641,102 S *	7/2011	Lamm	D26/139
D685,129 S *	6/2013	Platto	D26/139

(57) **CLAIM**

The ornamental design for a vehicle fog lamp bezel cover, as shown and described.

DESCRIPTION

FIG. 1 is a top front perspective and left view of the vehicle fog lamp bezel cover, showing our new design; FIG. 2 is a bottom front perspective view thereof; FIG. 3 is a top rear perspective view thereof; FIG. 4 is a front elevational view thereof; FIG. 5 is a rear elevational view thereof; FIG. 6 is a left side elevational view thereof; FIG. 7 is a right side elevational view thereof; FIG. 8 is a top plan view thereof; and, FIG. 9 is a bottom plan view thereof.

1 Claim, 9 Drawing Sheets



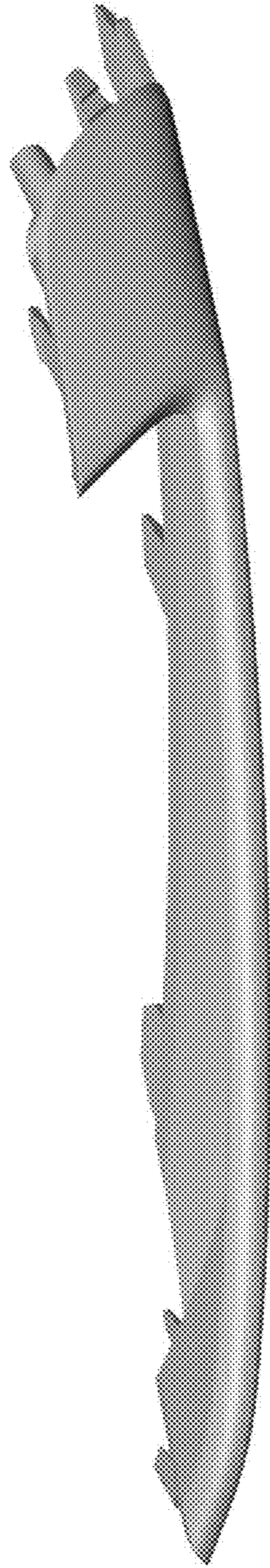


Figure 1

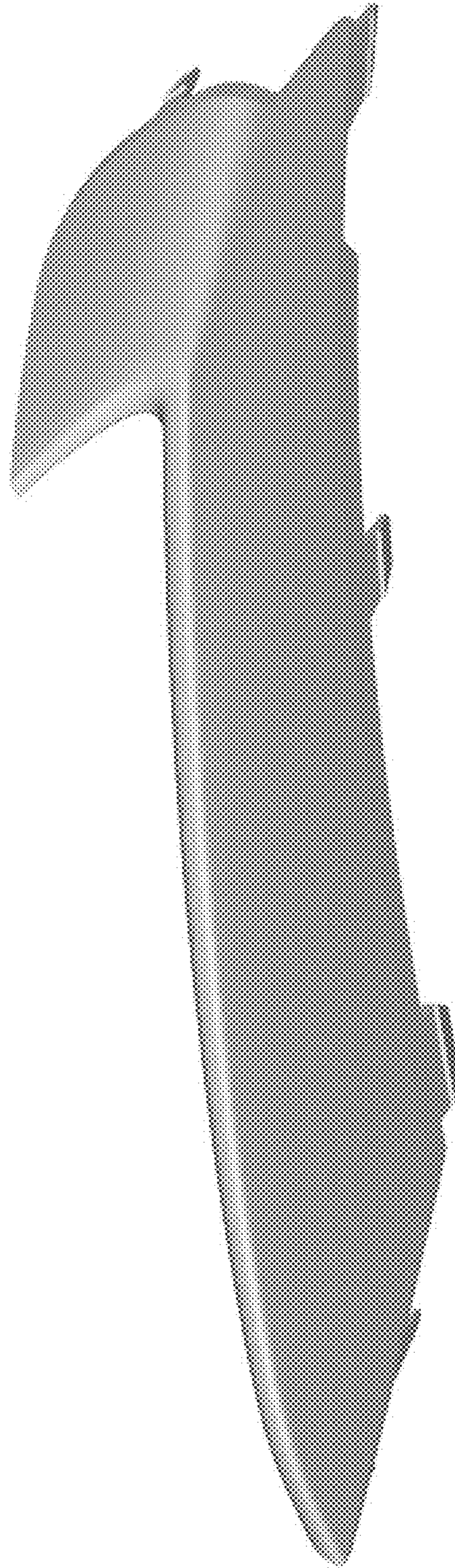


Figure 2

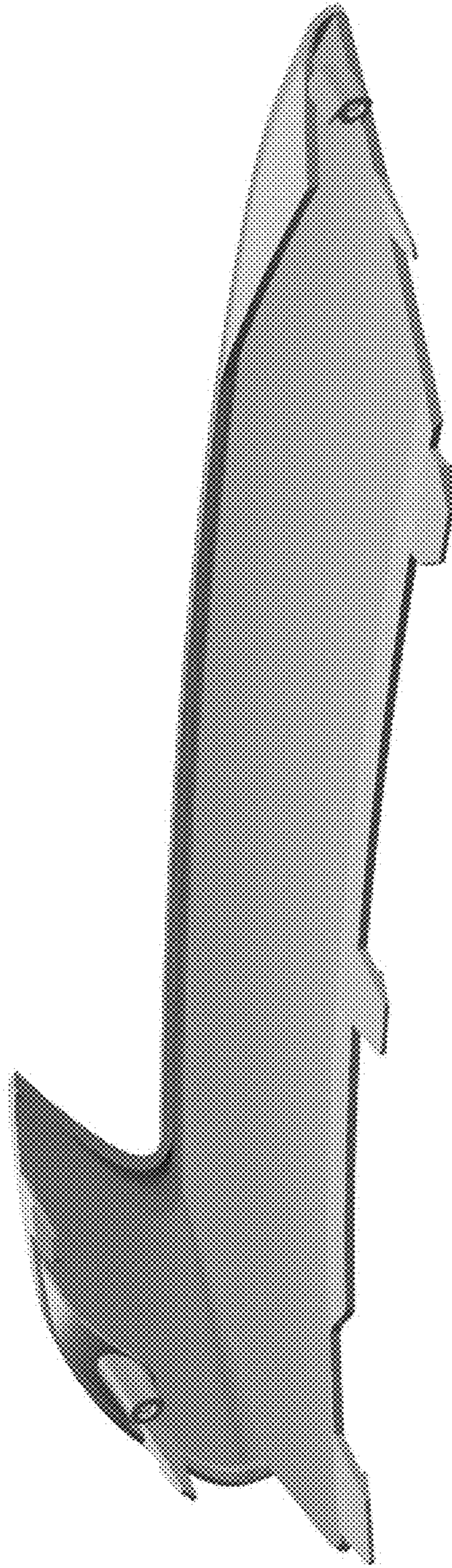


Figure 3

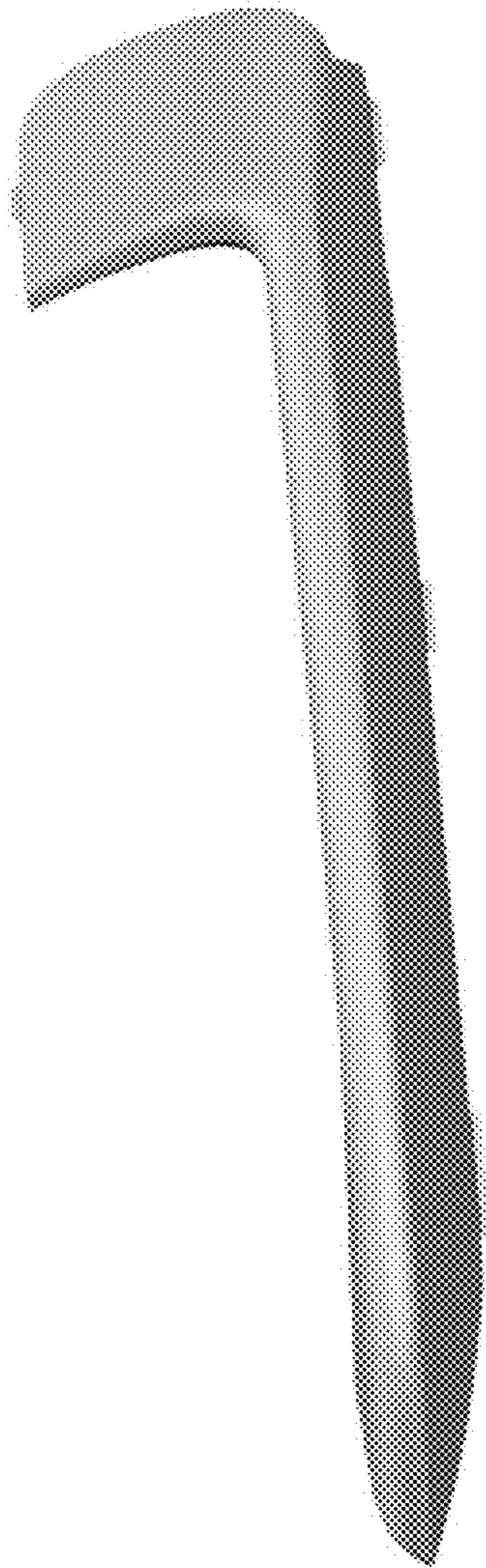


Figure 4

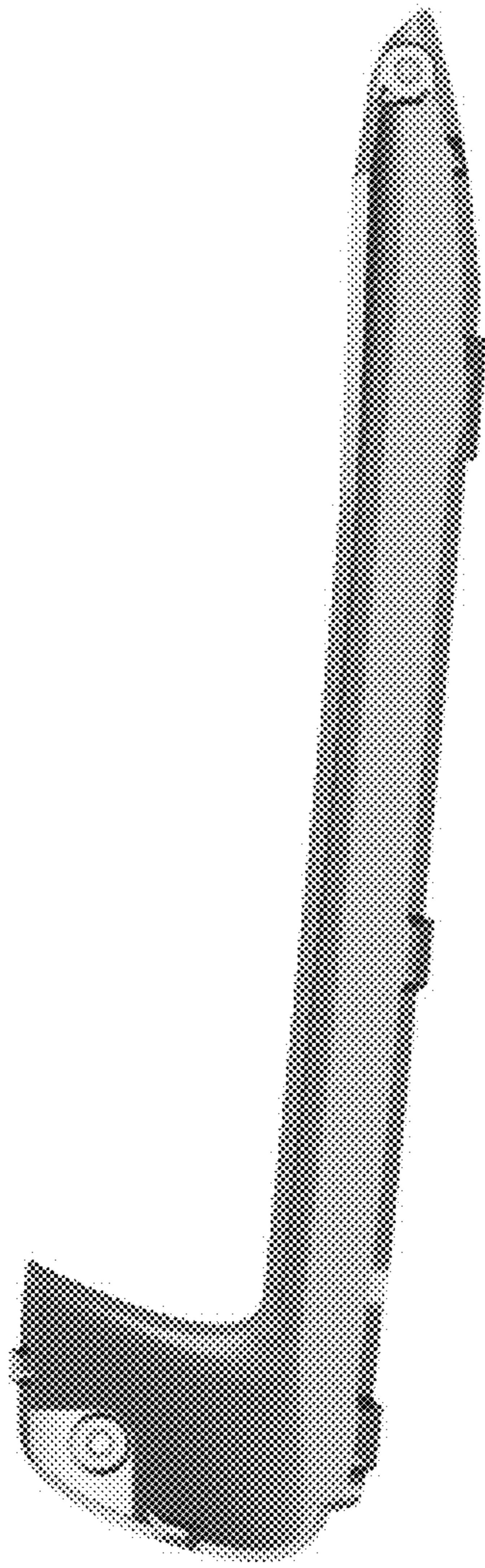


Figure 5

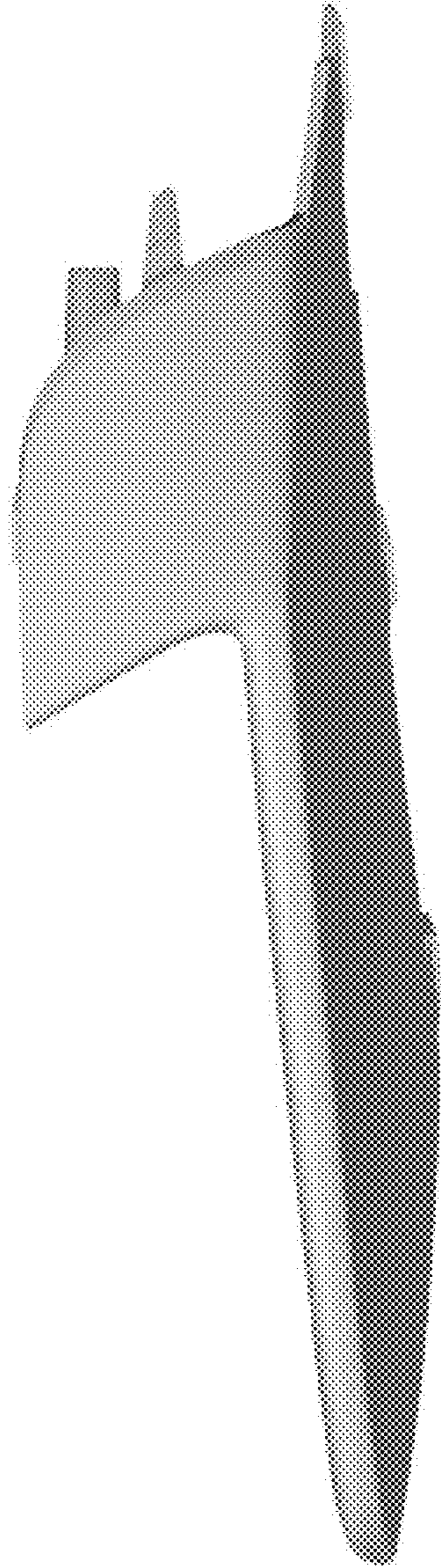


Figure 6

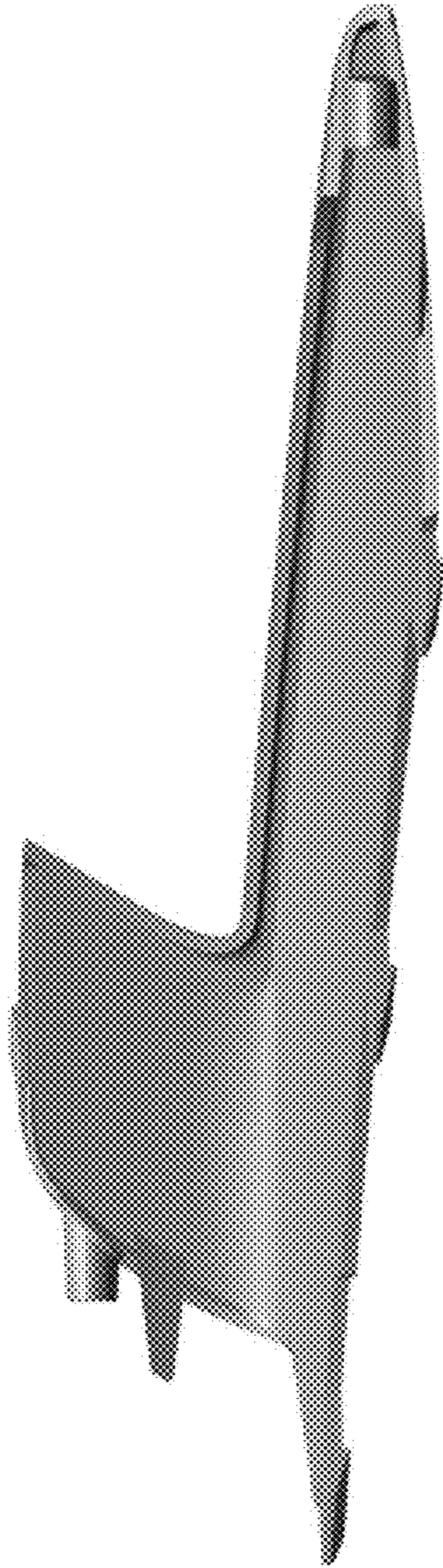


Figure 7

Figure 8

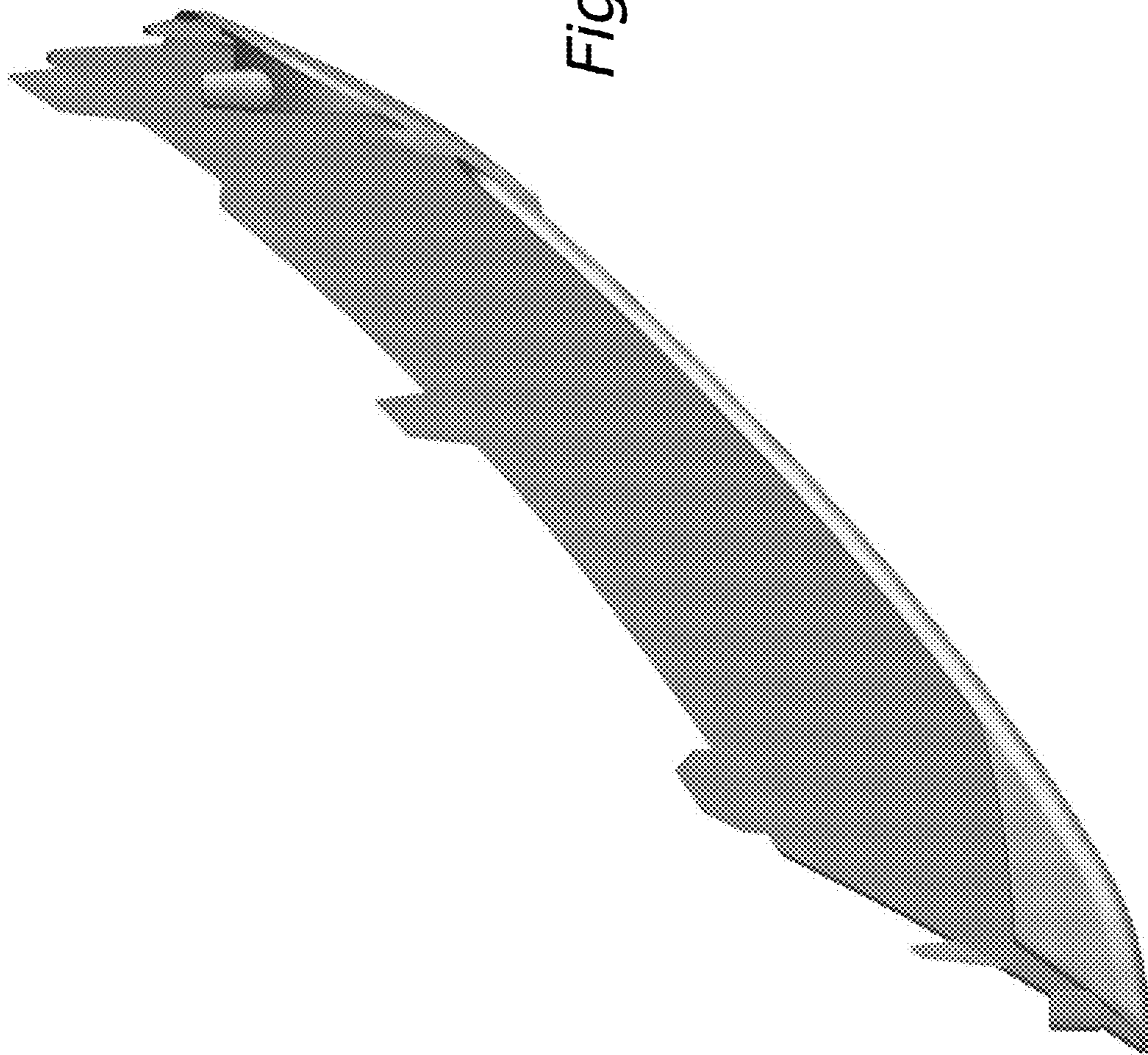


Figure 9

