



US00D779714S

(12) **United States Design Patent**  
**Sonneman**

(10) **Patent No.:** **US D779,714 S**

(45) **Date of Patent:** **\*\* Feb. 21, 2017**

(54) **INSULATED HANGER WITH A COVER FOR A LIGHTING SYSTEM**

(71) Applicant: **Robert A. Sonneman**, Mamaroneck, NY (US)

(72) Inventor: **Robert A. Sonneman**, Mamaroneck, NY (US)

(\*\*) Term: **15 Years**

(21) Appl. No.: **29/569,794**

(22) Filed: **Jun. 30, 2016**

(51) **LOC (10) Cl.** ..... **26-99**

(52) **U.S. Cl.**  
USPC ..... **D26/138**

(58) **Field of Classification Search**  
USPC ..... D26/76, 78, 79, 80, 81, 82, 83, 85, 88, D26/90, 93, 110, 118, 119, 120, 121, 122, D26/138, 140-142  
CPC ..... F21S 4/00; F21S 4/003; F21S 4/006; F21S 4/007; F21S 4/008; F21S 6/004; F21S 6/005; F21K 9/54; F21V 15/01; F21V 15/013  
See application file for complete search history.

(56) **References Cited**

U.S. PATENT DOCUMENTS

- 2,292,395 A \* 8/1942 O'Brien ..... H01R 31/00  
174/101
- D301,304 S \* 5/1989 Will ..... D25/119

- D599,193 S \* 9/2009 Meyer ..... D8/354
- D611,169 S \* 3/2010 Harder ..... D25/122
- D616,567 S \* 5/2010 Desrosiers ..... D25/122
- D621,091 S \* 8/2010 Klu ..... D26/138
- D632,423 S \* 2/2011 Canfield ..... D26/138
- D649,692 S \* 11/2011 Trzesniowski ..... D26/138
- D662,653 S \* 6/2012 Hochman ..... D26/138
- D669,392 S \* 10/2012 Dunn ..... D11/184
- D731,275 S \* 6/2015 Hochman ..... D8/65
- D753,605 S \* 4/2016 McPherson ..... D13/155

\* cited by examiner

*Primary Examiner* — George D Kirschbaum

*Assistant Examiner* — Natasha Vujcic

(74) *Attorney, Agent, or Firm* — Gottlieb, Rackman & Reisman P.C.

(57) **CLAIM**

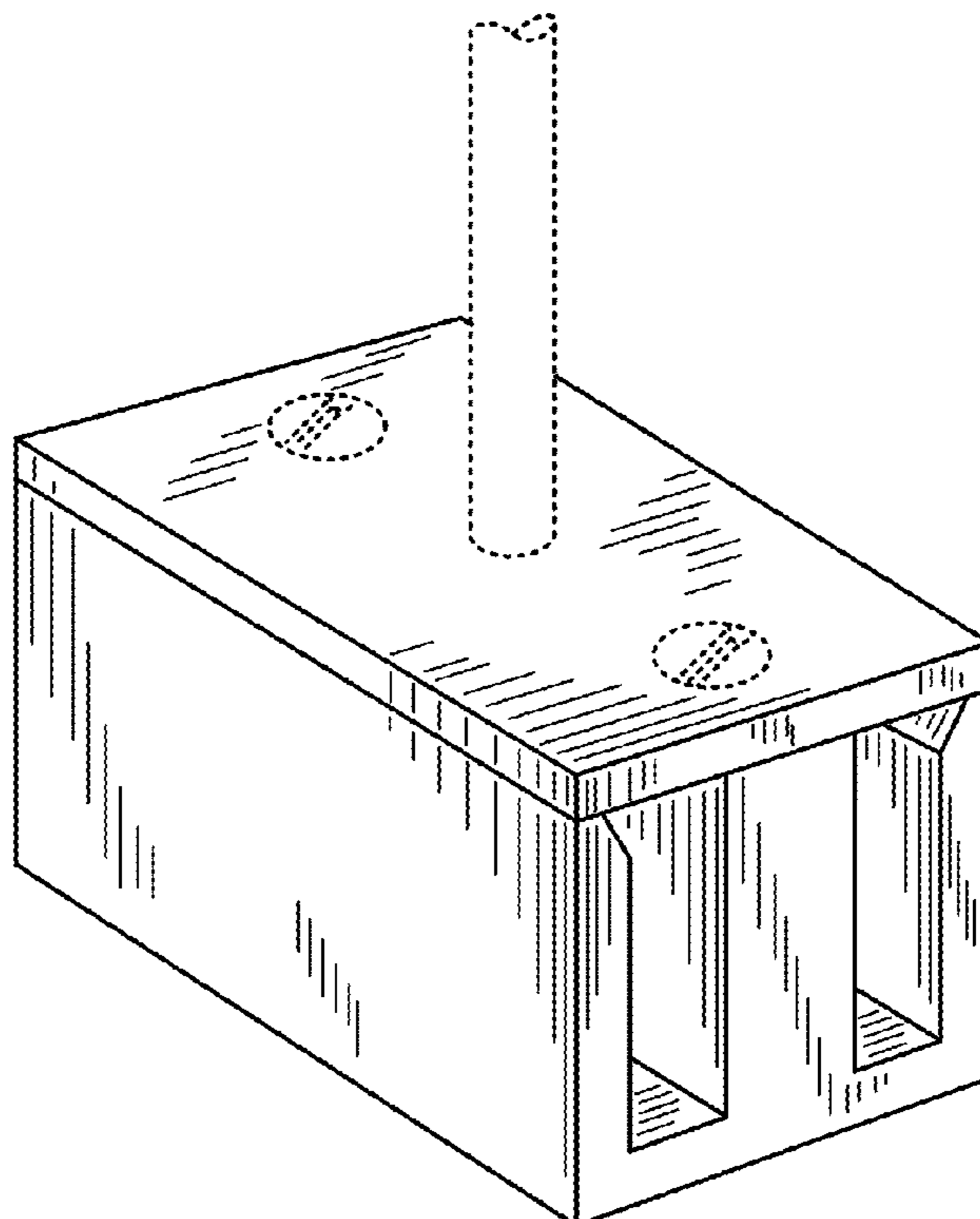
The ornamental design for an insulated hanger with a cover for a lighting system, as shown and described.

**DESCRIPTION**

FIG. 1 is a perspective view of the insulated hanger with a cover for a lighting system showing my new design; FIG. 2 is a top plan view thereof; FIG. 3 is a right side elevational view thereof; FIG. 4 is a front elevational view thereof, the rear elevational view being identical; FIG. 5 is a left side elevational view thereof; and, FIG. 6 is a bottom plan view thereof.

The broken lines in the drawings are included for the purpose of illustrating portions of the article that form no part of the claimed design.

**1 Claim, 2 Drawing Sheets**



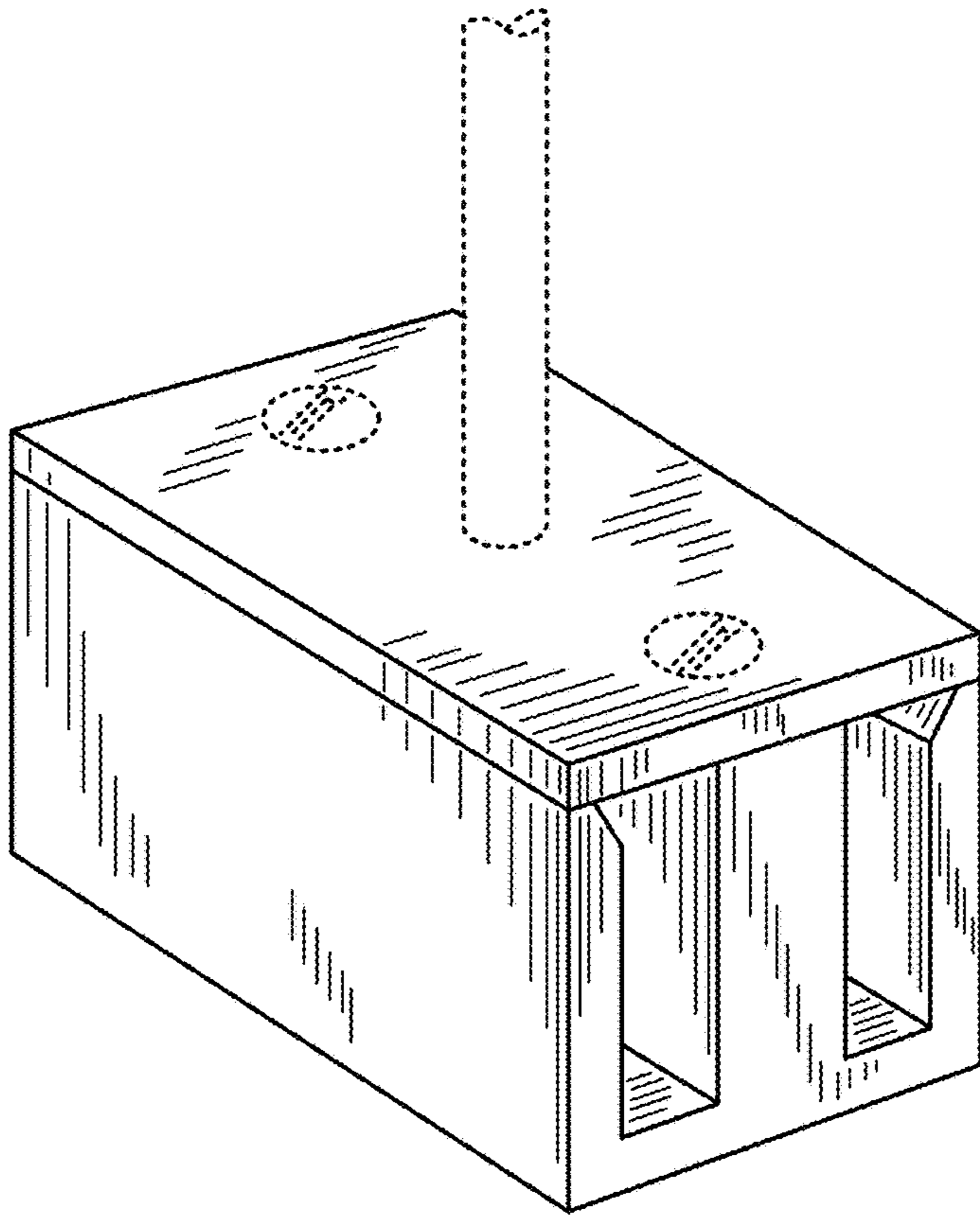


FIG. 1

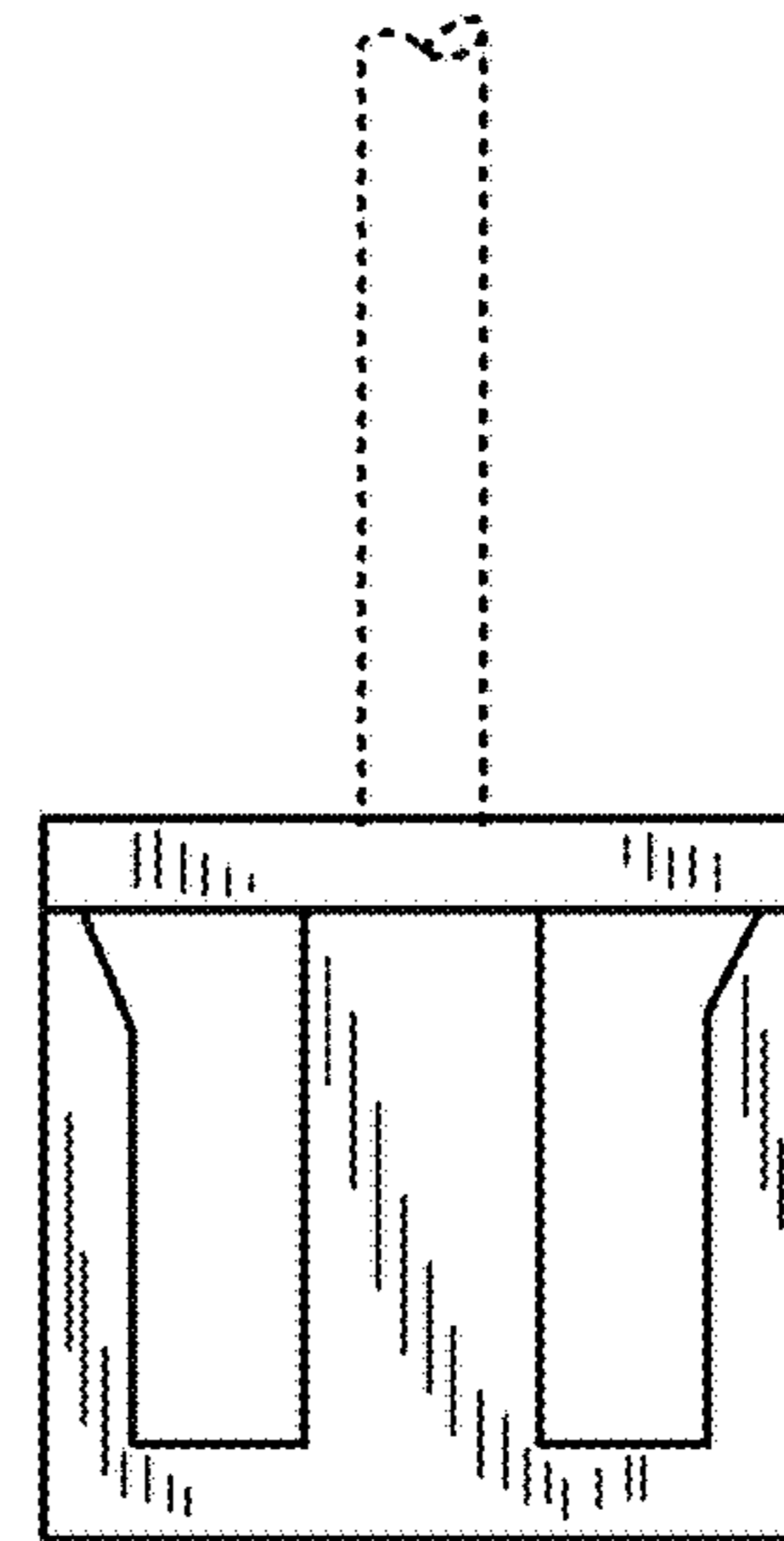


FIG. 3

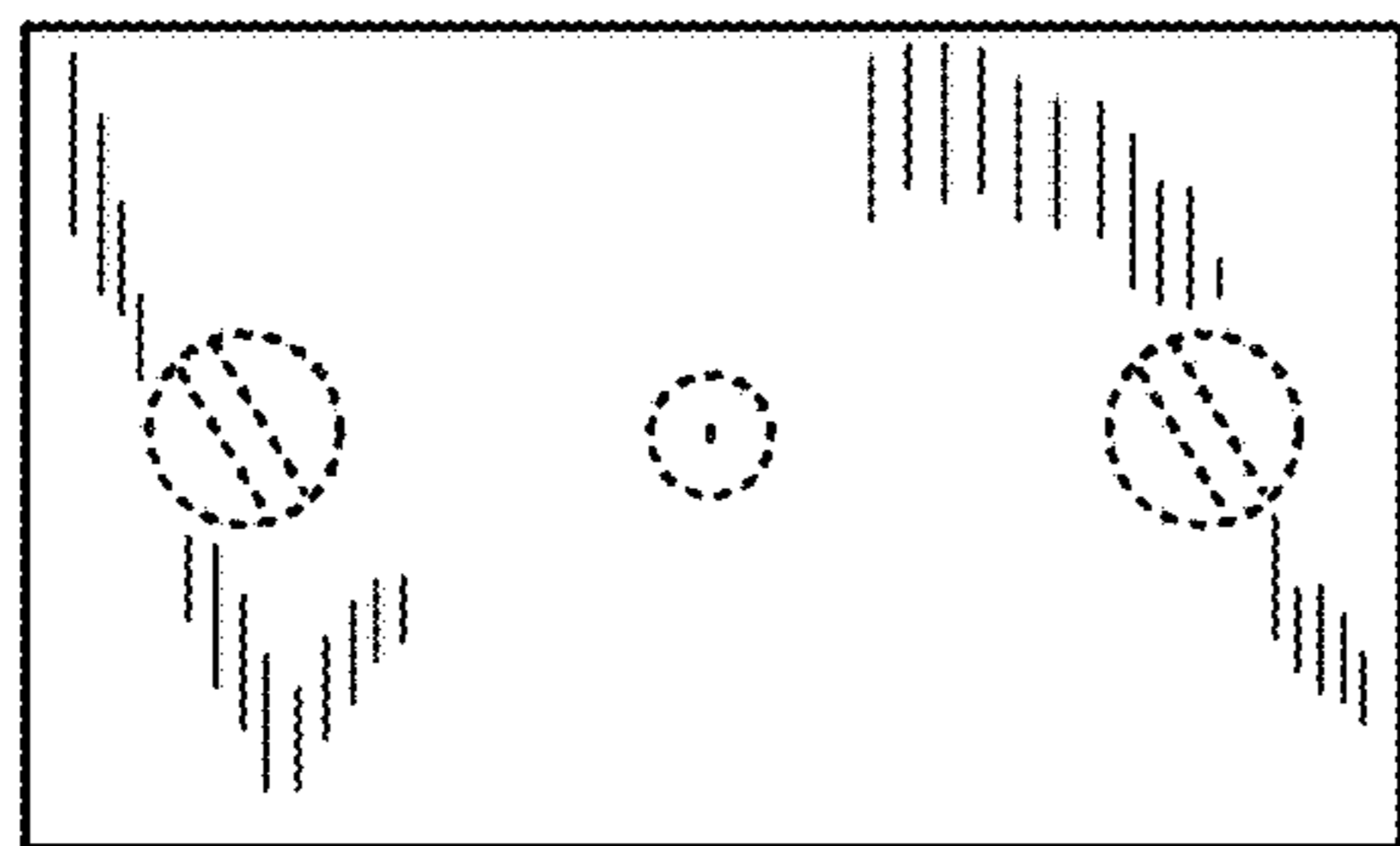


FIG. 2

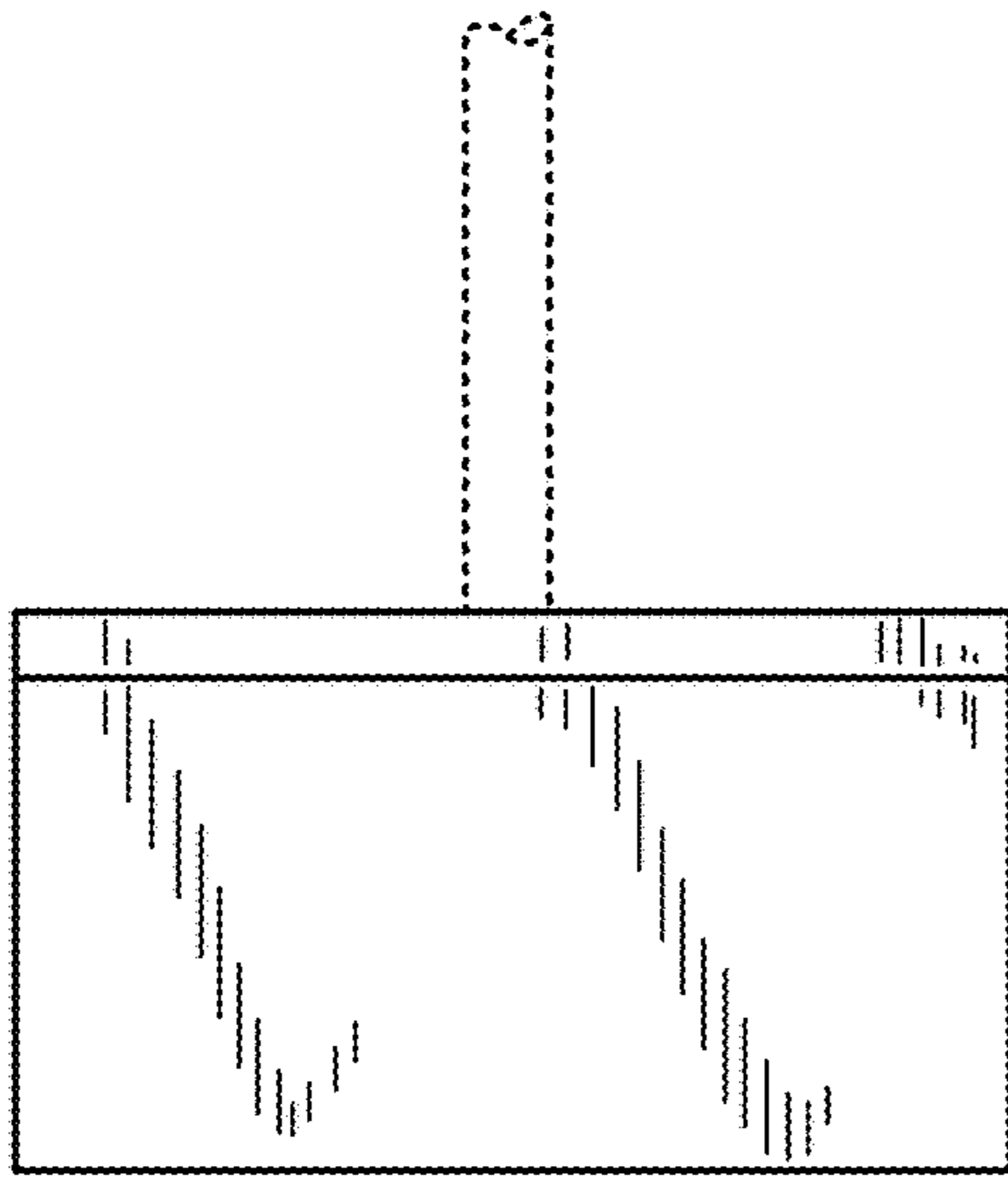


FIG. 4

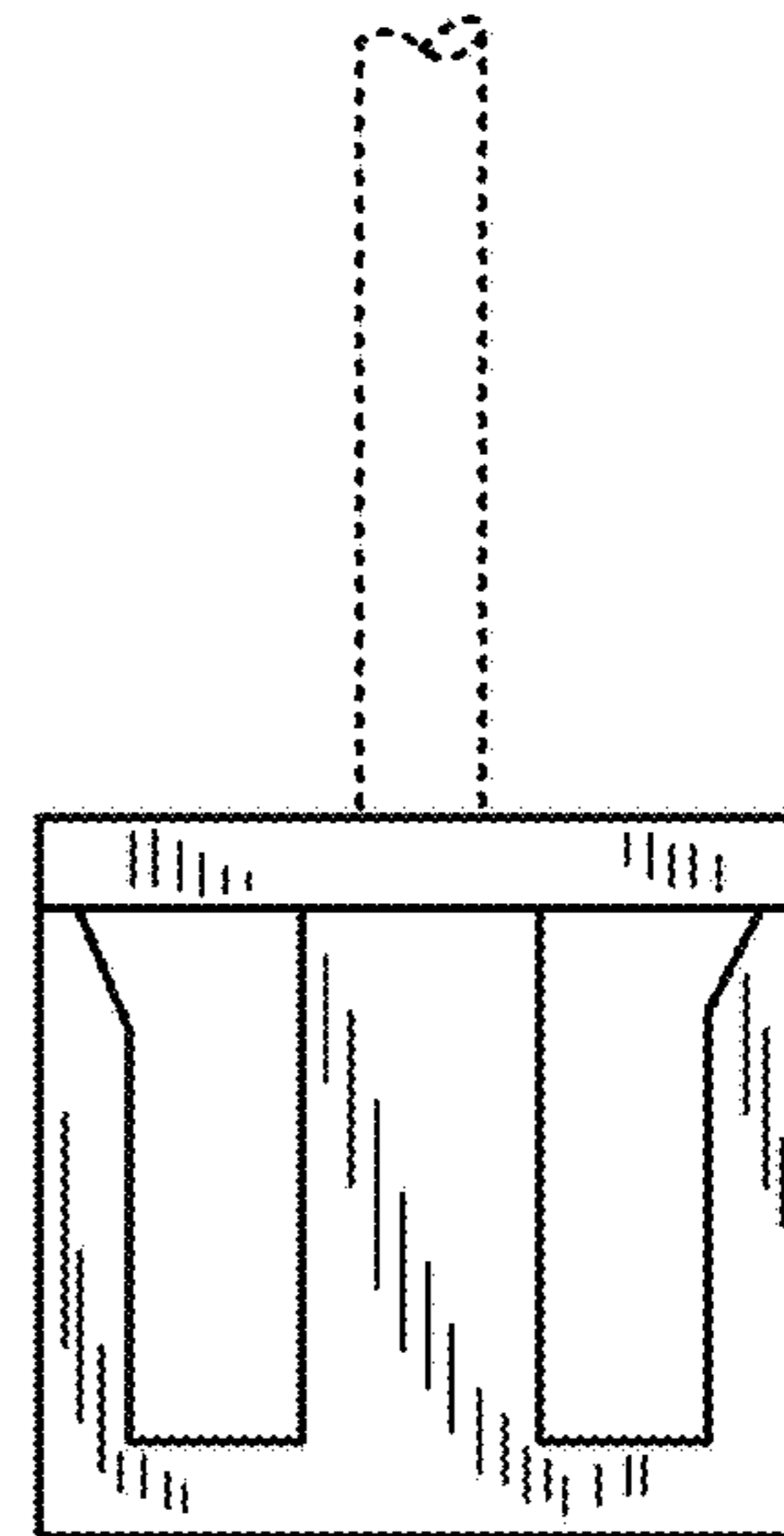


FIG. 5

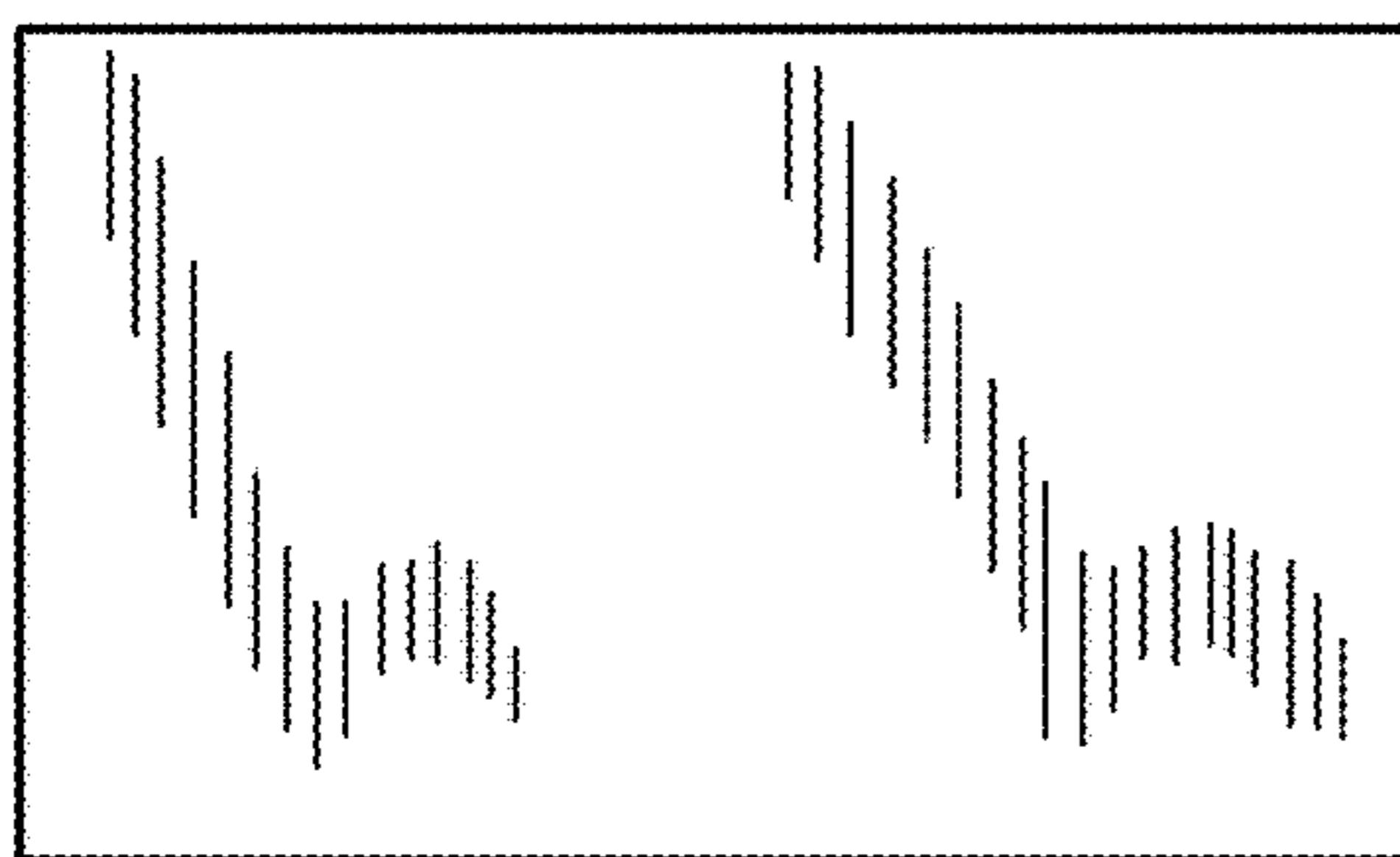


FIG. 6