



US00D779713S

(12) **United States Design Patent**
Sonneman

(10) **Patent No.:** **US D779,713 S**

(45) **Date of Patent:** **** Feb. 21, 2017**

(54) **INSULATED HANGER FOR A LIGHTING SYSTEM**

(71) Applicant: **Robert A. Sonneman**, Mamaroneck, NY (US)

(72) Inventor: **Robert A. Sonneman**, Mamaroneck, NY (US)

(**) Term: **15 Years**

(21) Appl. No.: **29/569,784**

(22) Filed: **Jun. 30, 2016**

(51) **LOC (10) Cl.** **26-99**

(52) **U.S. Cl.**
USPC **D26/138**

(58) **Field of Classification Search**
USPC D26/76, 78, 79, 80, 81, 82, 83, 85, 88,
D26/90, 93, 110, 118, 119, 120, 121, 122,
D26/138, 140-142
CPC F21S 4/00; F21S 4/003; F21S 4/006;
F21S 4/007; F21S 4/008; F21S
6/004; F21S 6/005; F21K 9/54; F21V
15/01; F21V 15/013
See application file for complete search history.

(56) **References Cited**

U.S. PATENT DOCUMENTS

2,292,395 A * 8/1942 O'Brien H01R 31/00
174/101
D301,304 S * 5/1989 Will D25/119

D599,193 S * 9/2009 Meyer D8/354
D611,169 S * 3/2010 Harder D25/122
D616,567 S * 5/2010 Desrosiers D25/122
D621,091 S * 8/2010 Klu D26/138
D632,423 S * 2/2011 Canfield D26/138
D649,692 S * 11/2011 Trzesniowski D26/138
D662,653 S * 6/2012 Hochman D26/138
D669,392 S * 10/2012 Dunn D11/184
D731,275 S * 6/2015 Hochman D8/65
D753,605 S * 4/2016 McPherson D13/155

* cited by examiner

Primary Examiner — George D Kirschbaum

Assistant Examiner — Natasha Vujcic

(74) *Attorney, Agent, or Firm* — Gottlieb, Rackman & Reisman P.C.

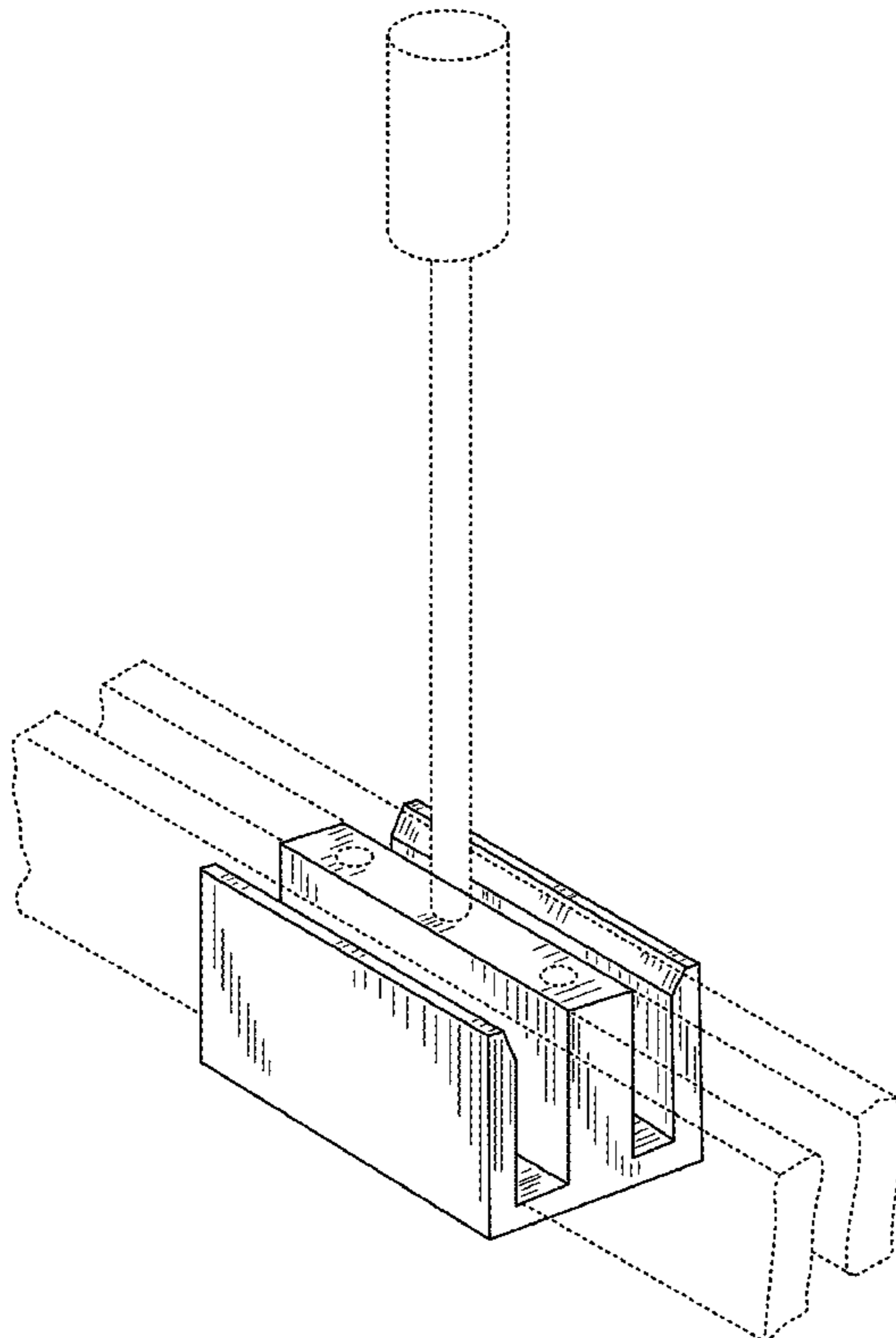
(57) **CLAIM**

The ornamental design for an insulated hanger for a lighting system, as shown and described.

DESCRIPTION

FIG. 1 is a perspective view of the insulated hanger for a lighting system showing my new design; FIG. 2 is a top plan view thereof; FIG. 3 is a front elevational view thereof, the rear elevational view being a mirror image; FIG. 4 is a right side elevational view thereof, the left side being a mirror image; and, FIG. 5 is a bottom plan view thereof. The broken lines in the drawings are included for the purpose of illustrating portions of the article that form no part of the claimed design.

1 Claim, 2 Drawing Sheets



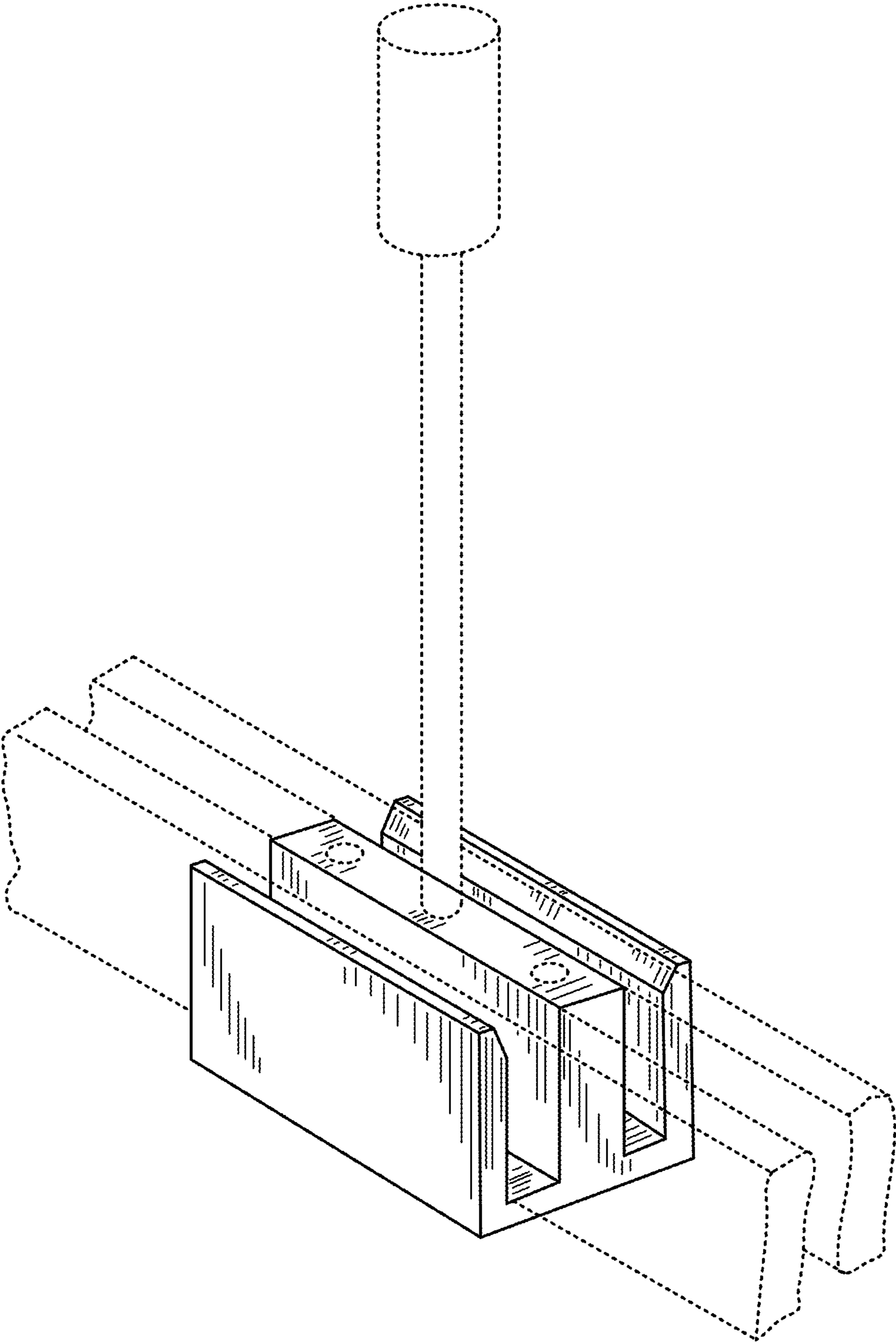


FIG. 1

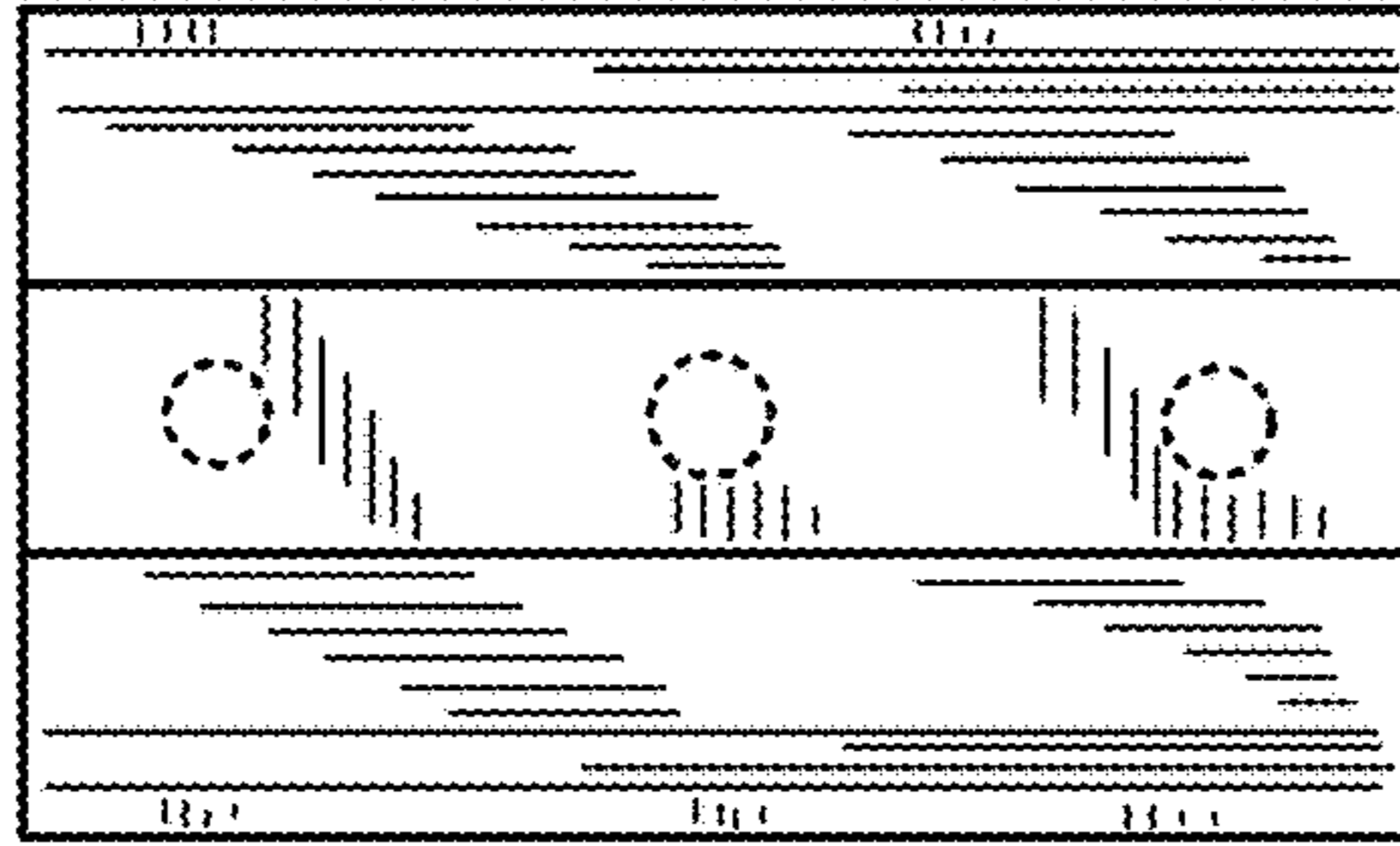


FIG. 2

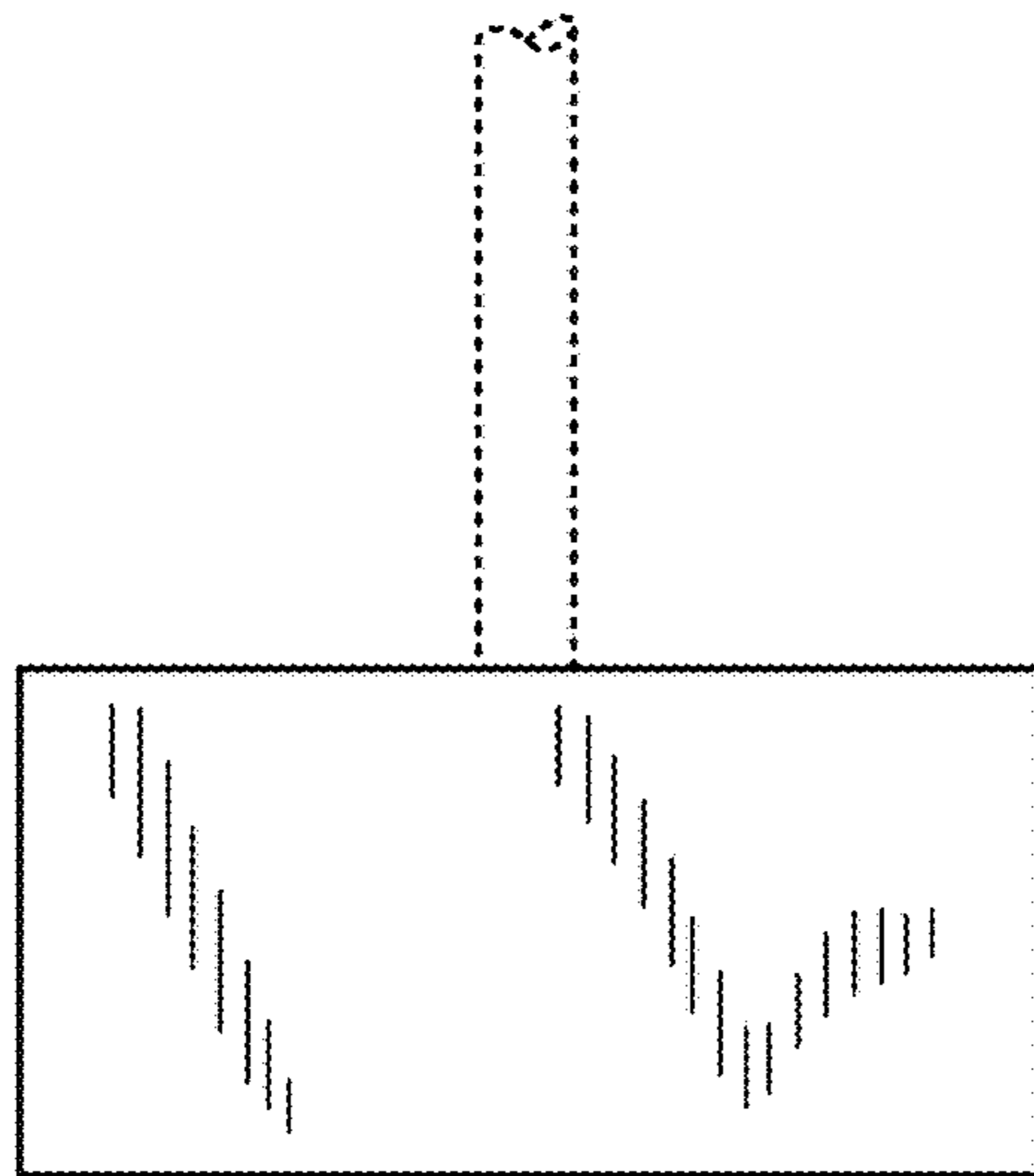


FIG. 3

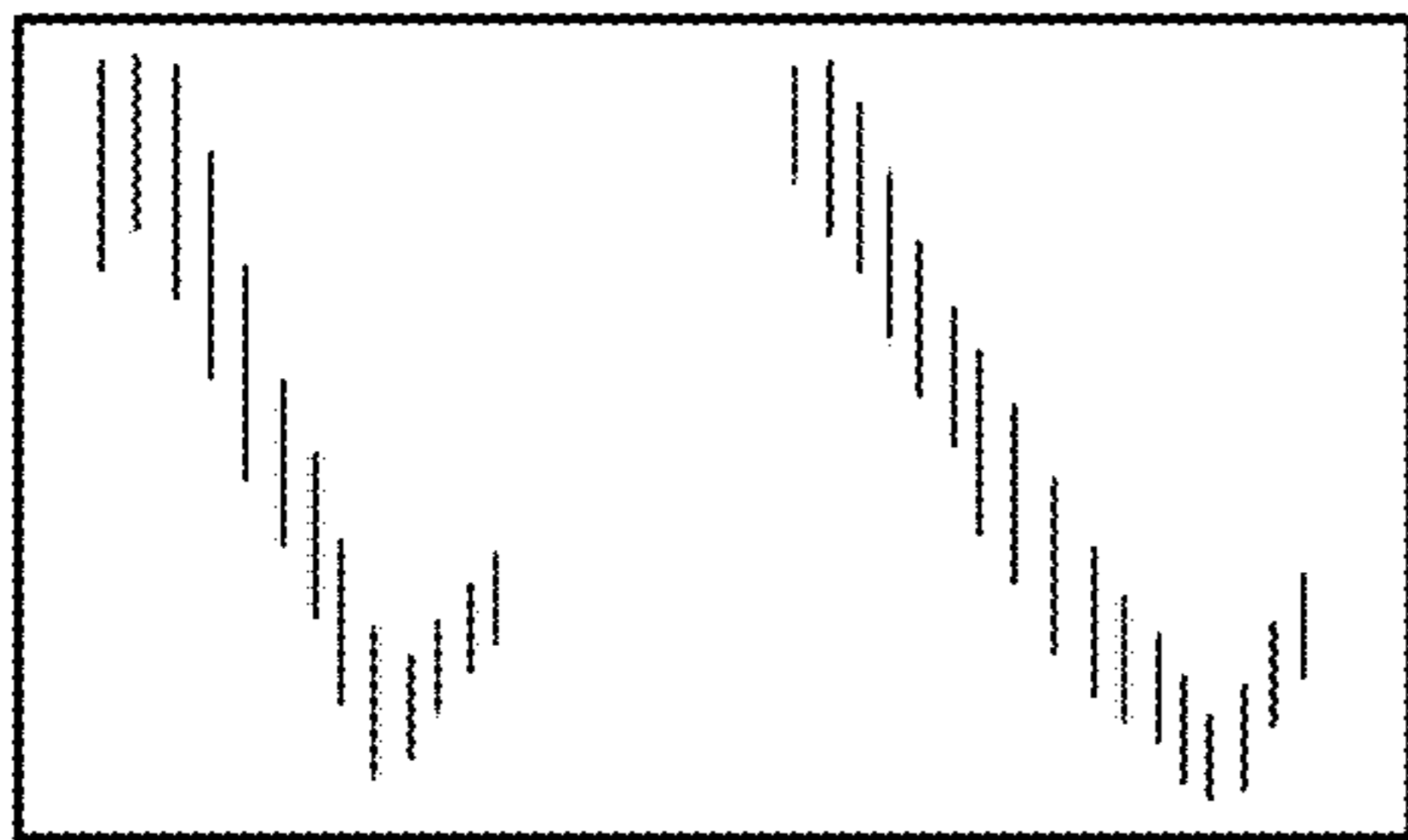


FIG. 5

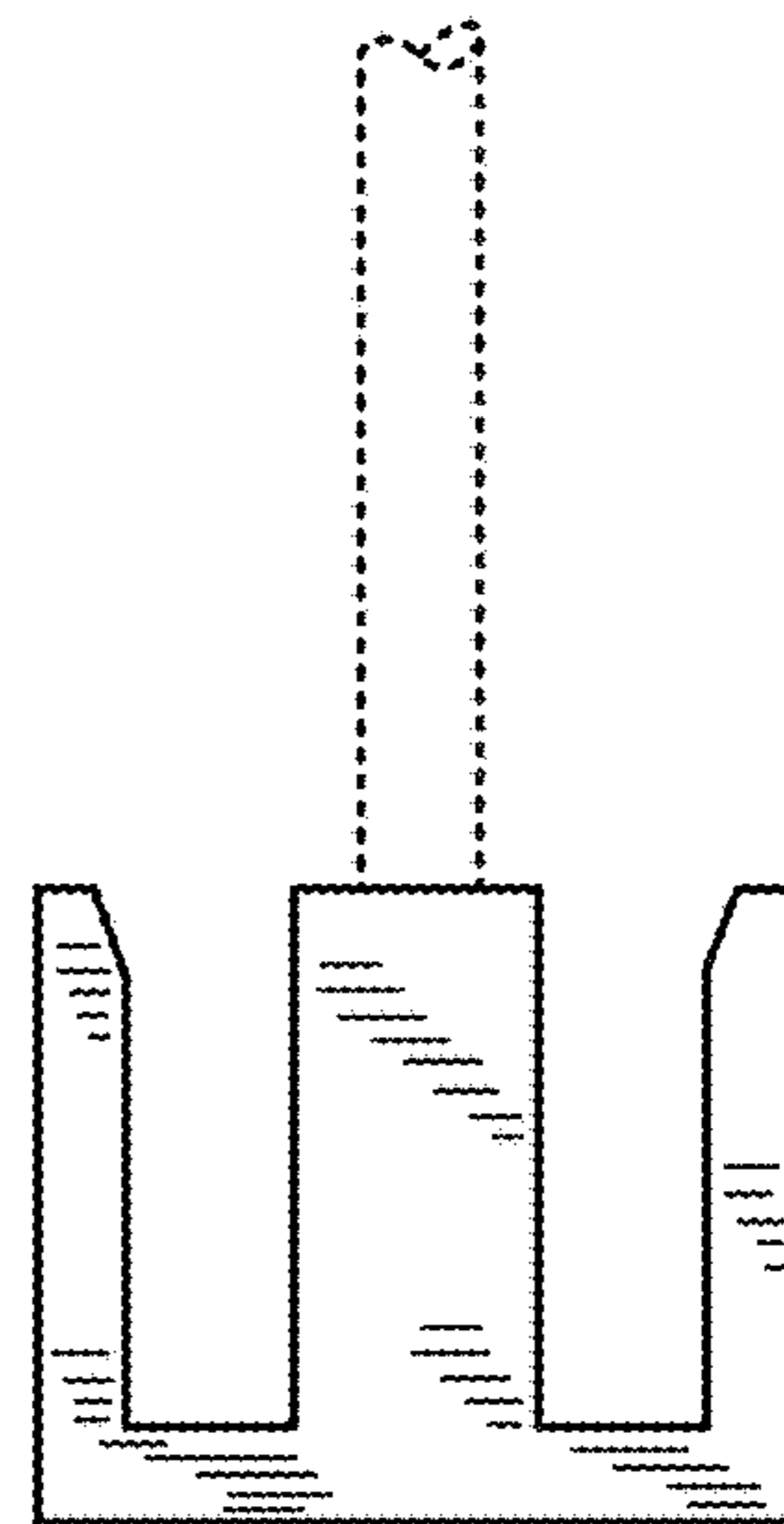


FIG. 4