



US00D779709S

(12) **United States Design Patent** (10) **Patent No.:** **US D779,709 S**
Liu (45) **Date of Patent:** **** Feb. 21, 2017**

(54) **LED LENS**
(71) Applicant: **SO BRIGHT ELECTRONICS CO.,LTD.**, Taoyuan (TW)
(72) Inventor: **Chun-Hsien Liu**, Hsinchu County (TW)
(73) Assignee: **SO BRIGHT ELECTRONICS CO., LTD.**, Taoyuan (TW)
(**) Term: **15 Years**
(21) Appl. No.: **29/549,853**
(22) Filed: **Dec. 28, 2015**
(51) **LOC (10) Cl.** **26-99**
(52) **U.S. Cl.**
USPC **D26/120**
(58) **Field of Classification Search**
USPC D26/1, 24, 120, 124
CPC F21S 6/00; F21S 6/002; F21S 48/115;
F21S 48/1154; F21S 48/1159; F21S 48/1163
See application file for complete search history.

(56) **References Cited**
U.S. PATENT DOCUMENTS
D305,422 S * 1/1990 Steer D14/244
D602,613 S * 10/2009 Hamanaka D26/1
D697,642 S * 1/2014 Amari D26/1
D705,957 S * 5/2014 Lin D26/1

* cited by examiner

Primary Examiner — Brian N Vinson
(74) *Attorney, Agent, or Firm* — Li & Cai Intellectual Property (USA) Office

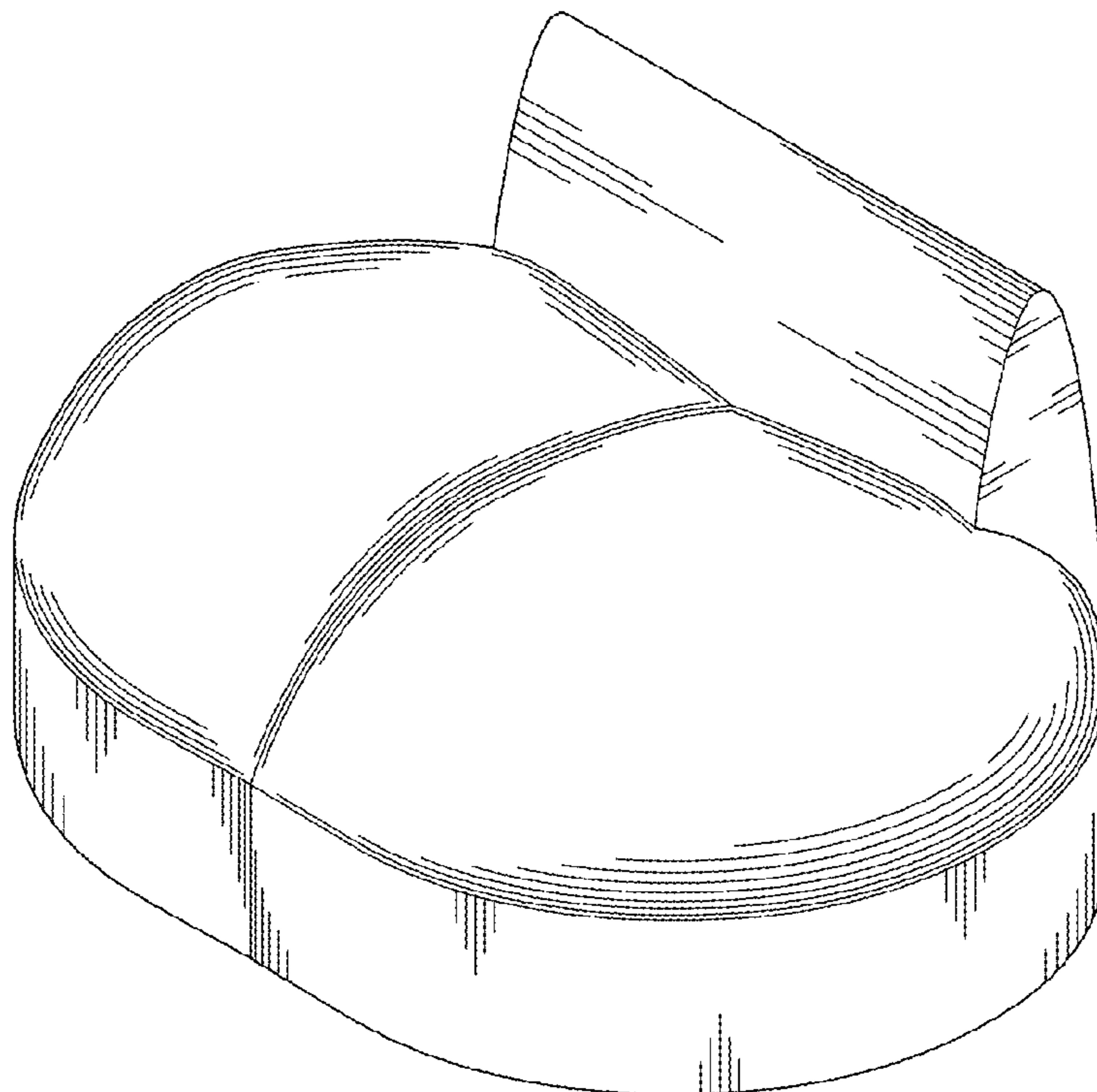
(57) **CLAIM**

The ornamental design for a “LED lens,” as shown and described.

DESCRIPTION

FIG. 1 is a top perspective view of a LED lens showing our new design;
FIG. 2 is a front elevational view thereof;
FIG. 3 is a rear elevational view thereof;
FIG. 4 is a left-side, elevational view thereof;
FIG. 5 is a right-side, elevational view thereof;
FIG. 6 is a top plan view thereof;
FIG. 7 is a bottom plan view thereof;
FIG. 8 is a bottom perspective view thereof;
FIG. 9 is a cross-sectional view thereof, taken along line IX-IX of FIG. 6; and,
FIG. 10 is an additional top perspective view thereof, showing the lens in use on a device, the broken line disclosure forming no part of the claimed design.

1 Claim, 10 Drawing Sheets



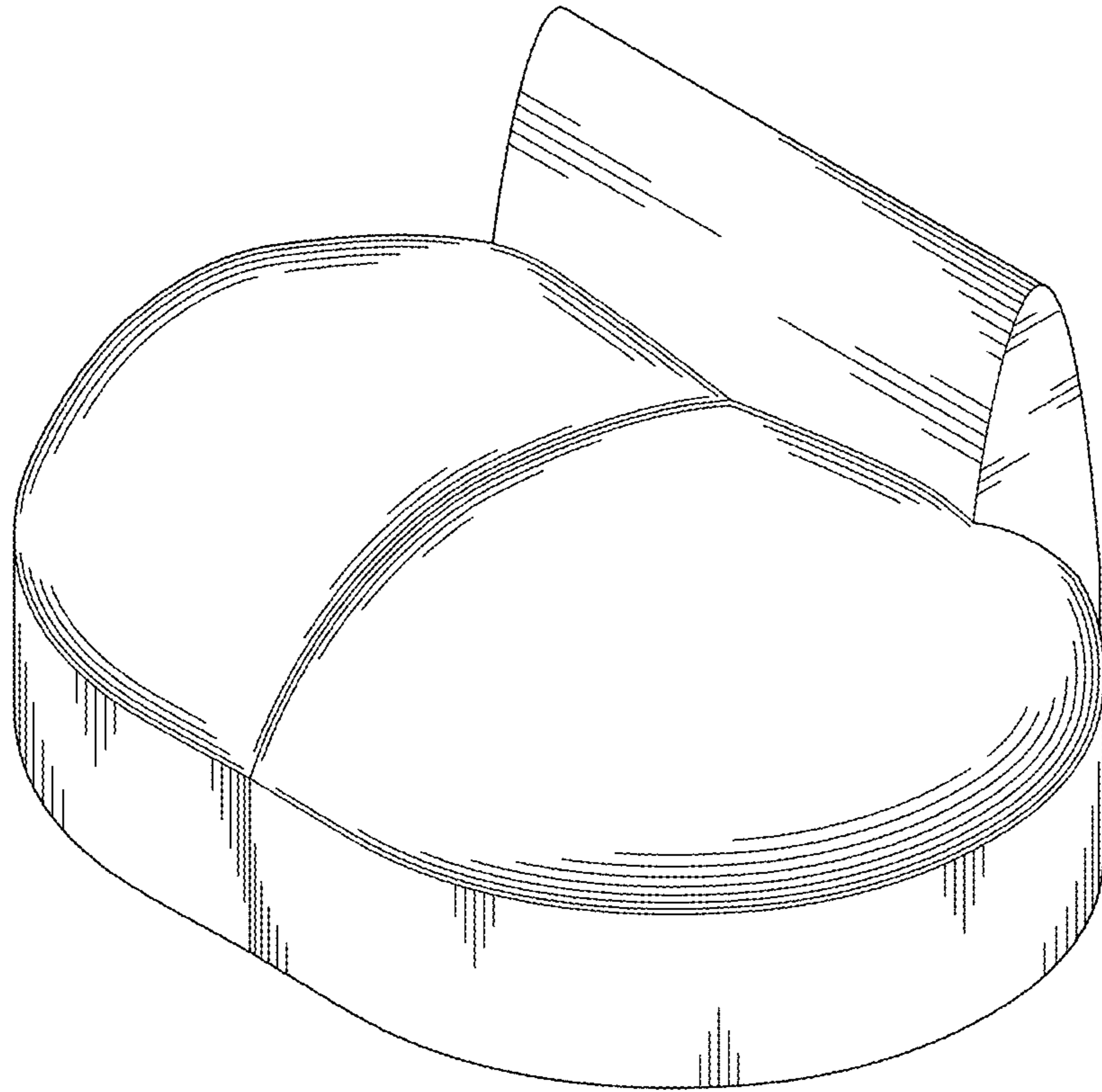


FIG.1

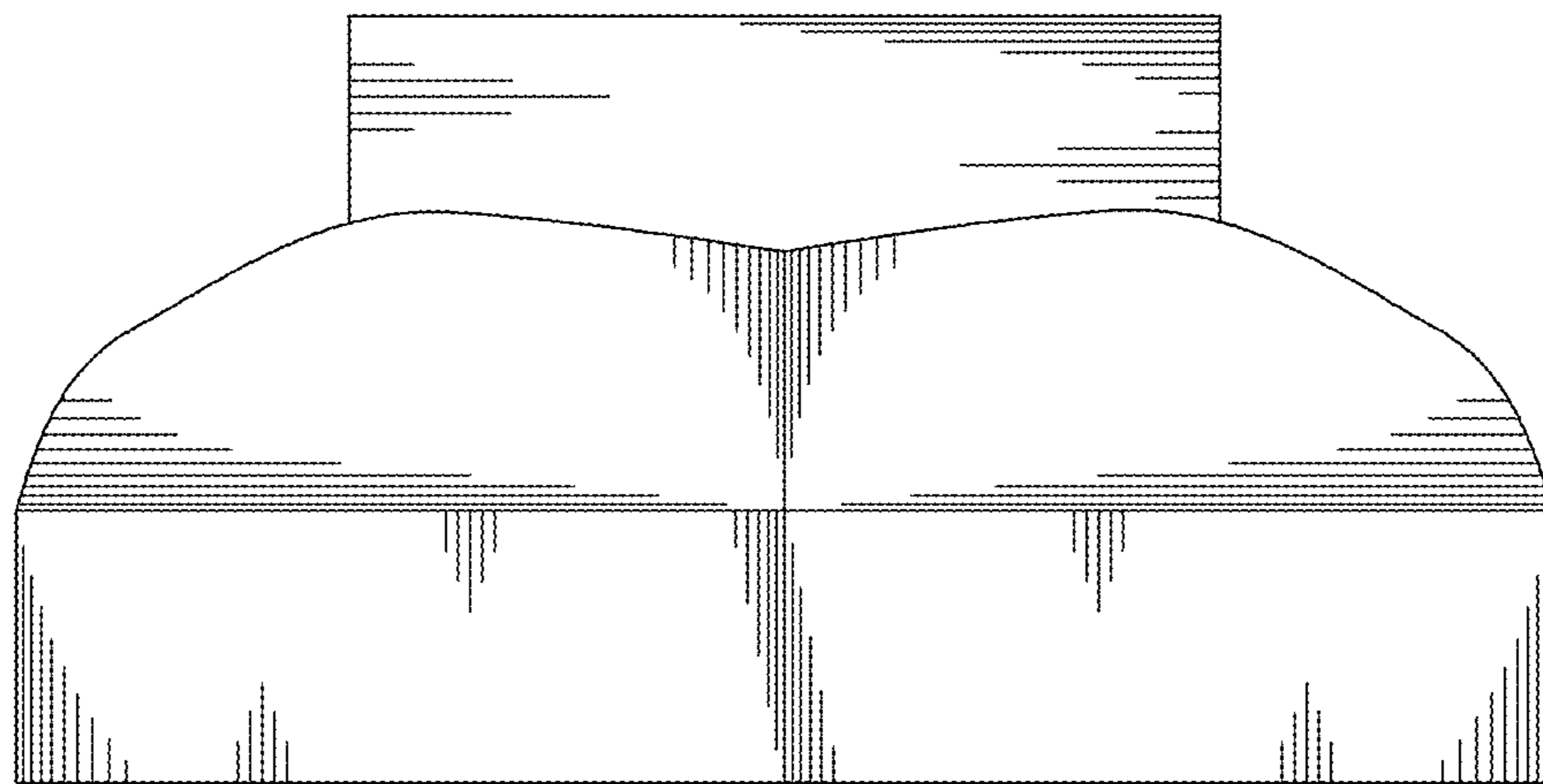


FIG.2

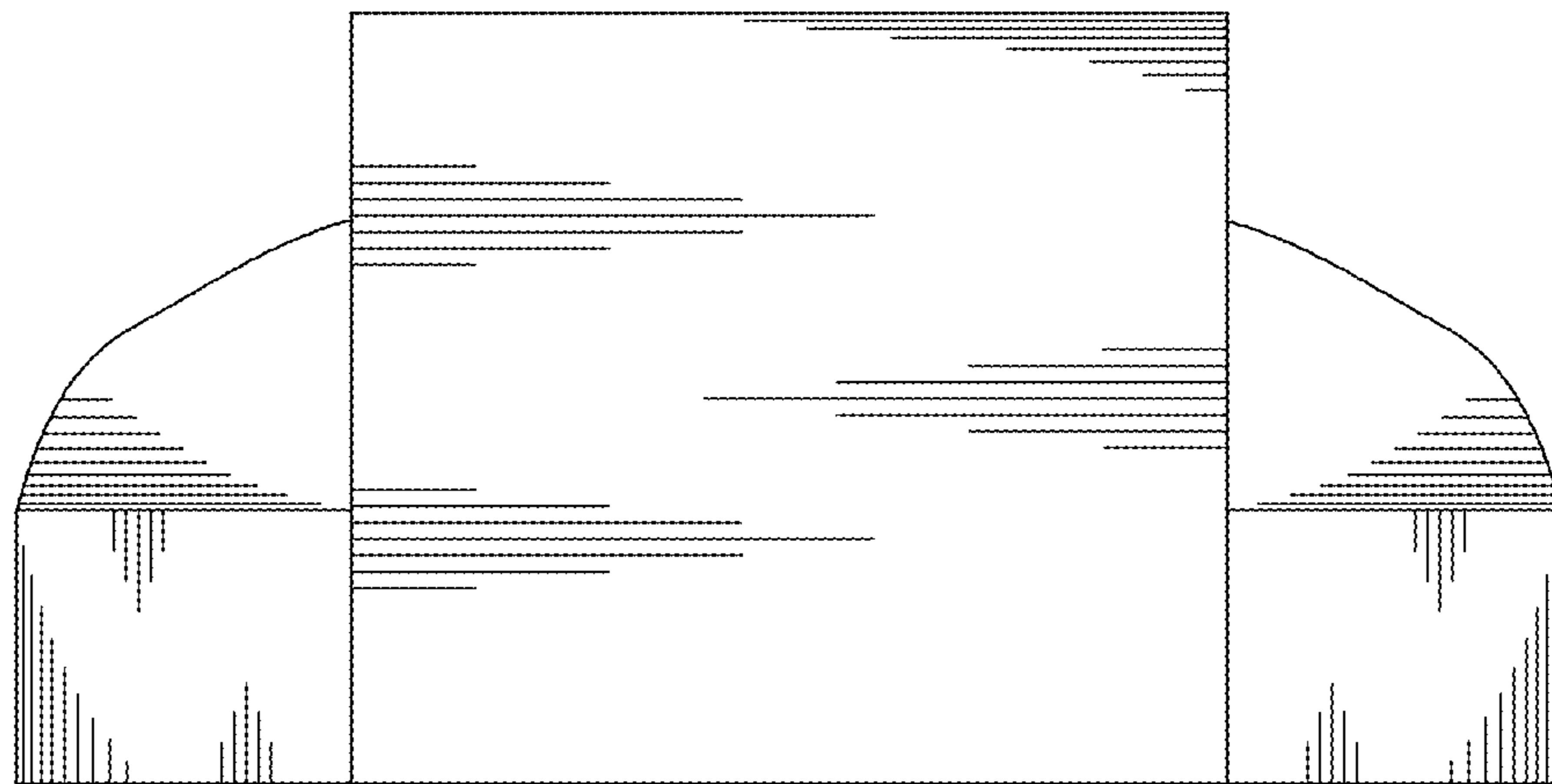


FIG.3

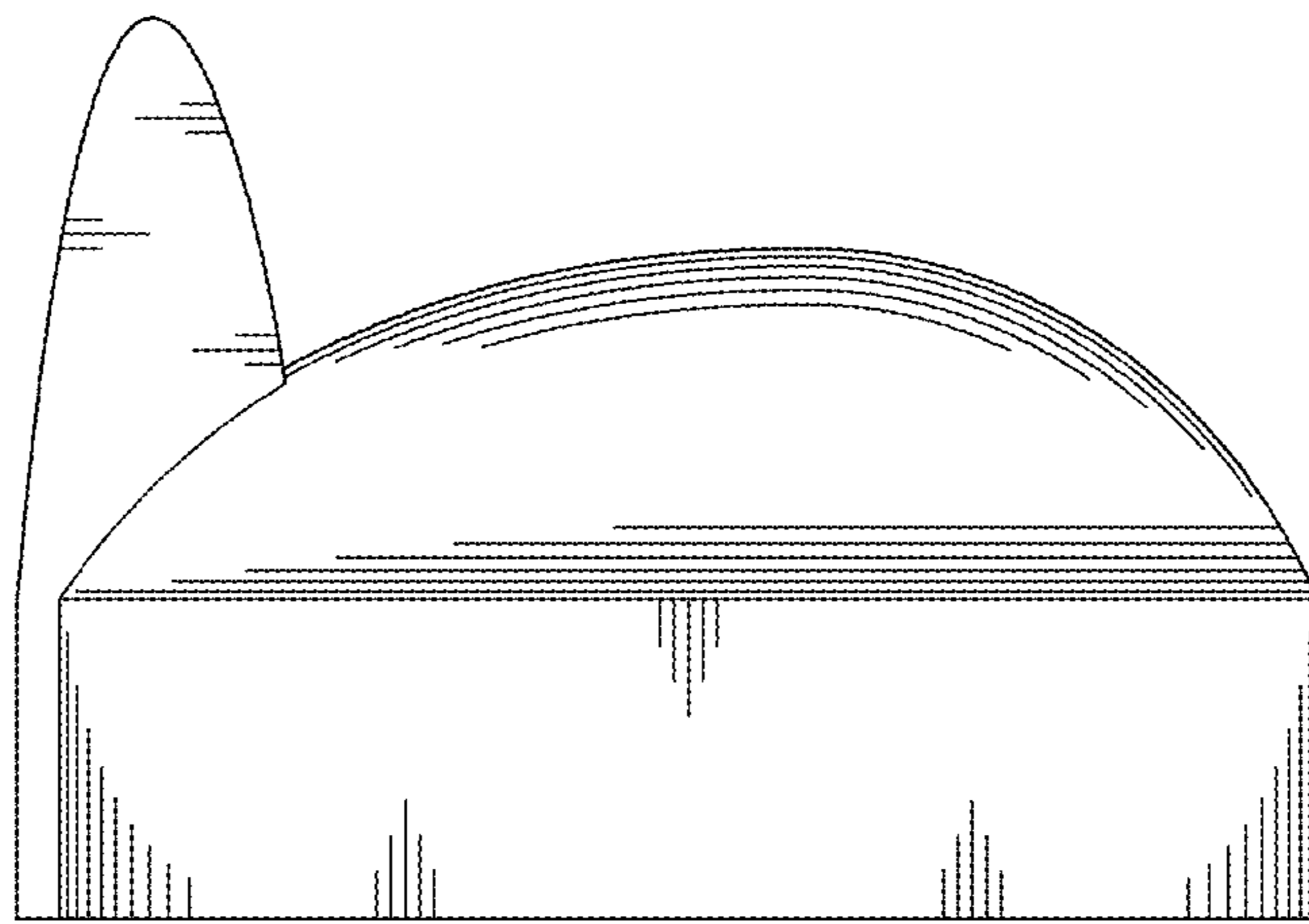


FIG.4

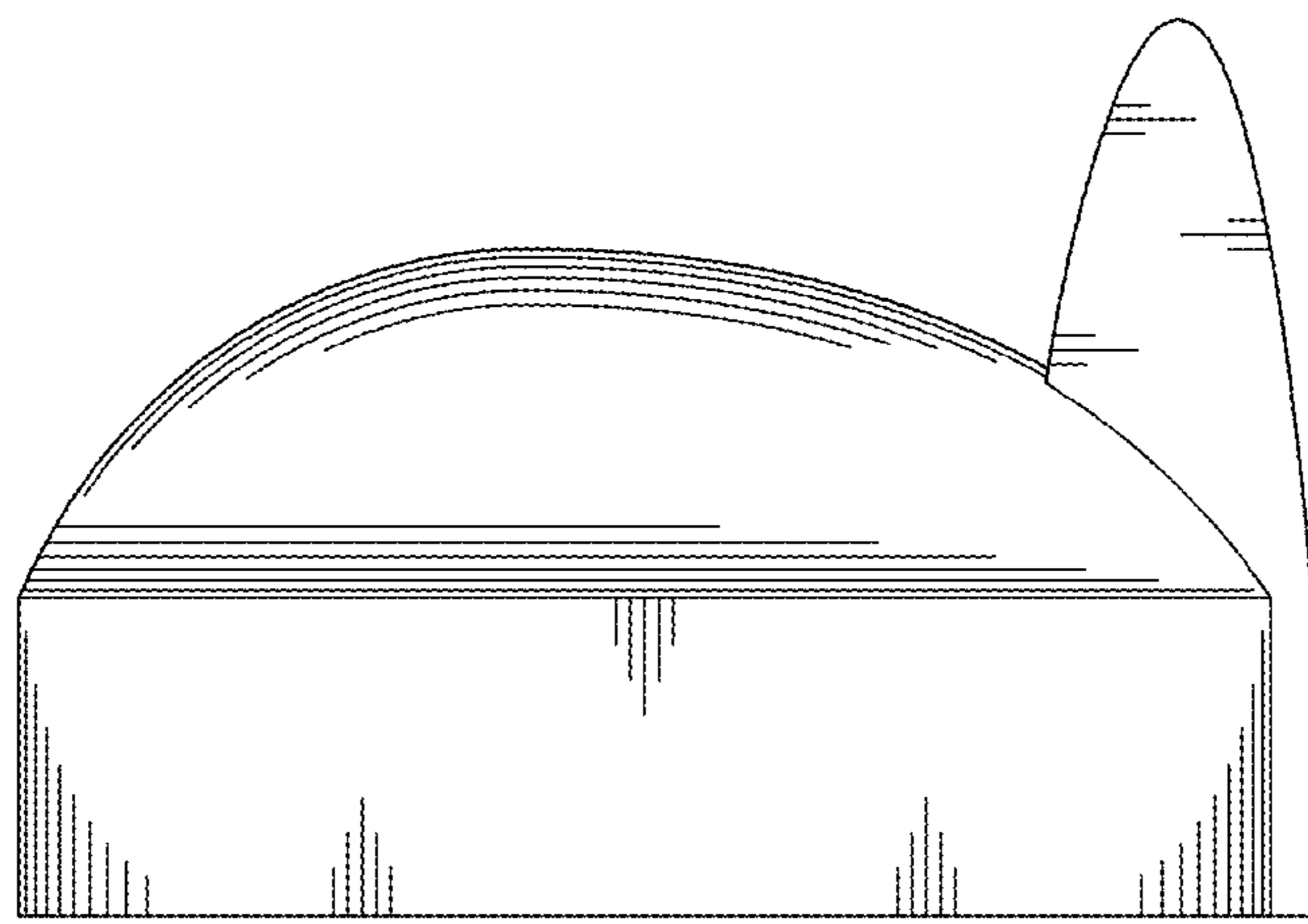


FIG.5

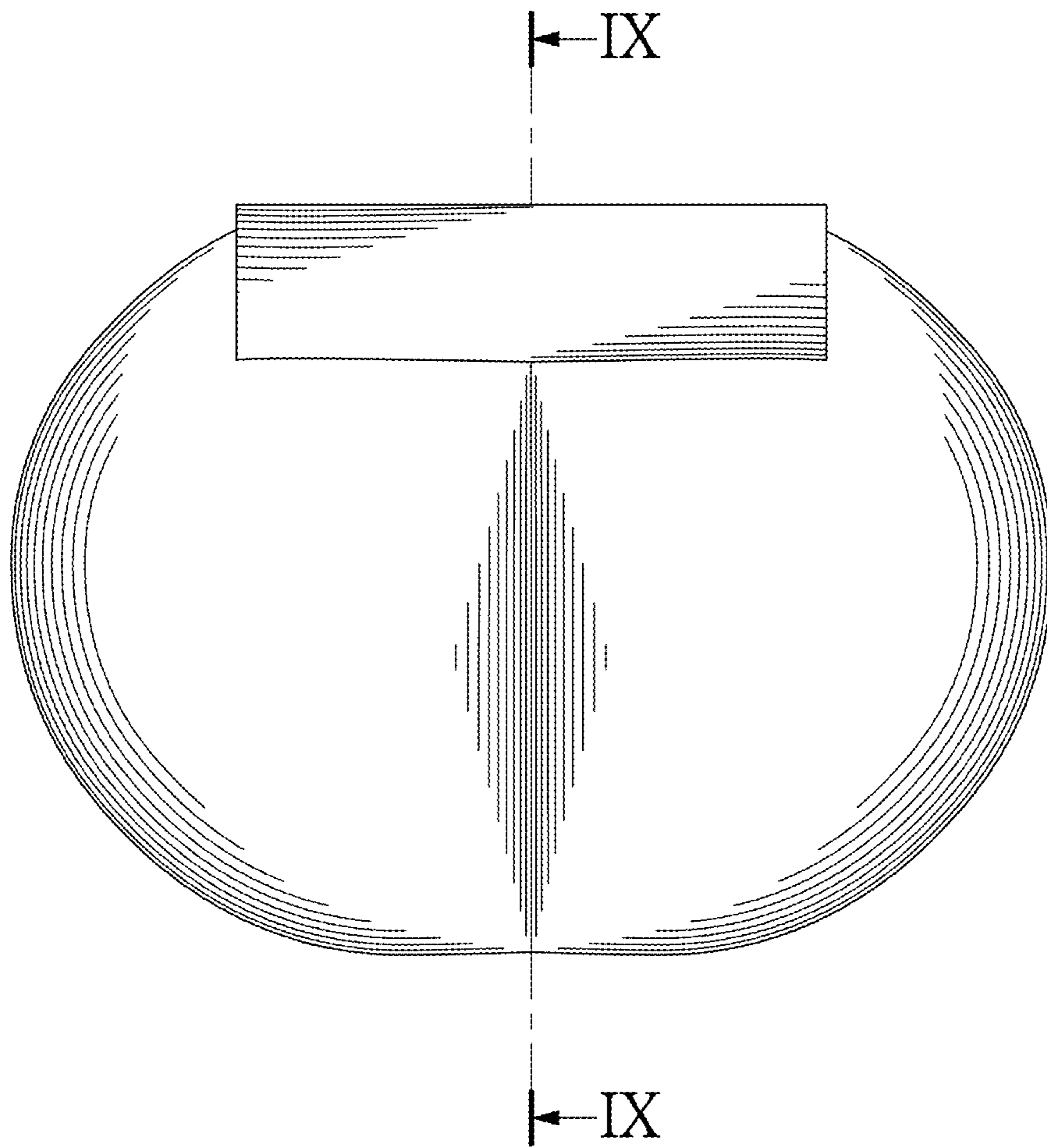


FIG.6

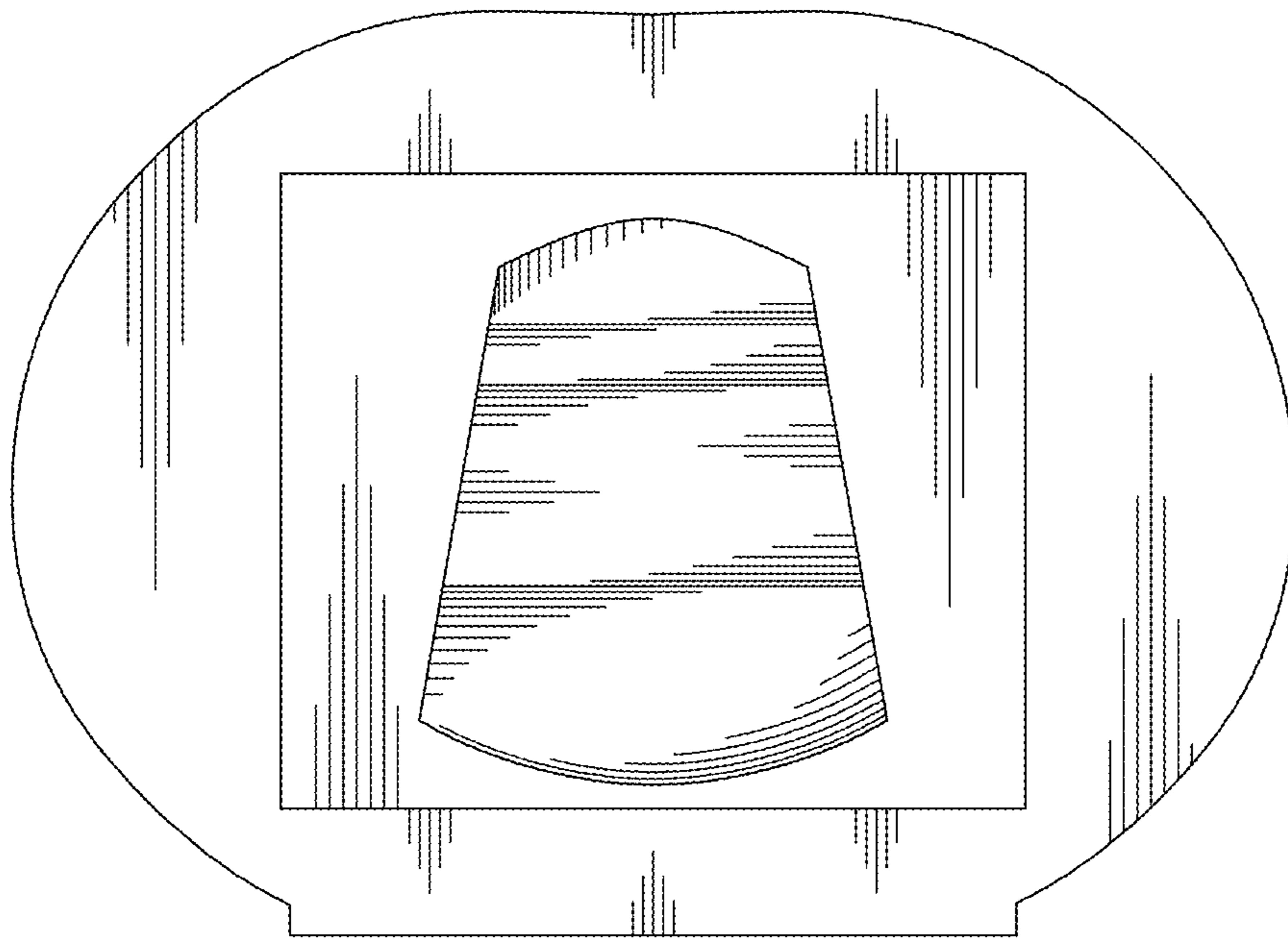


FIG.7

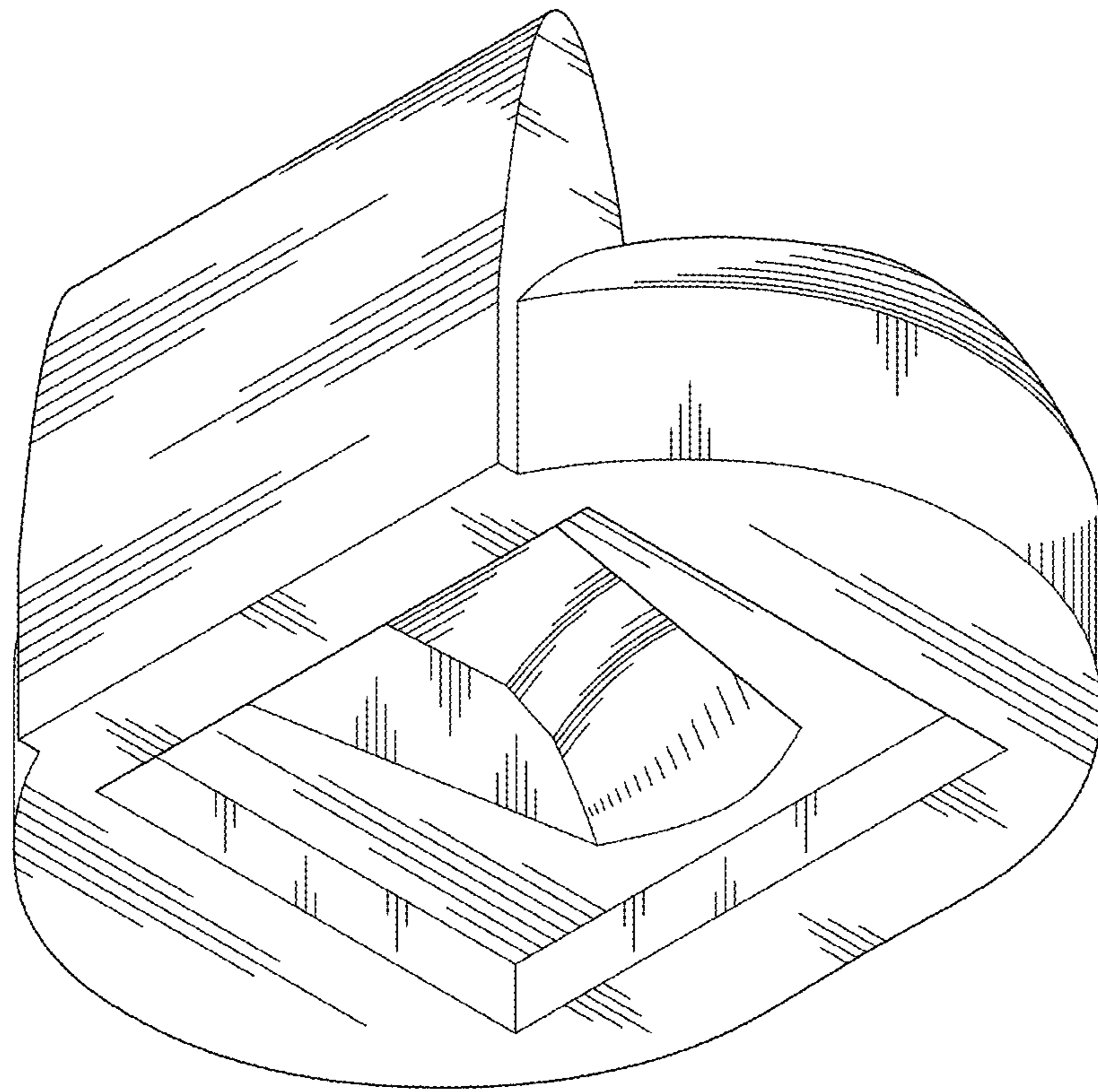


FIG.8

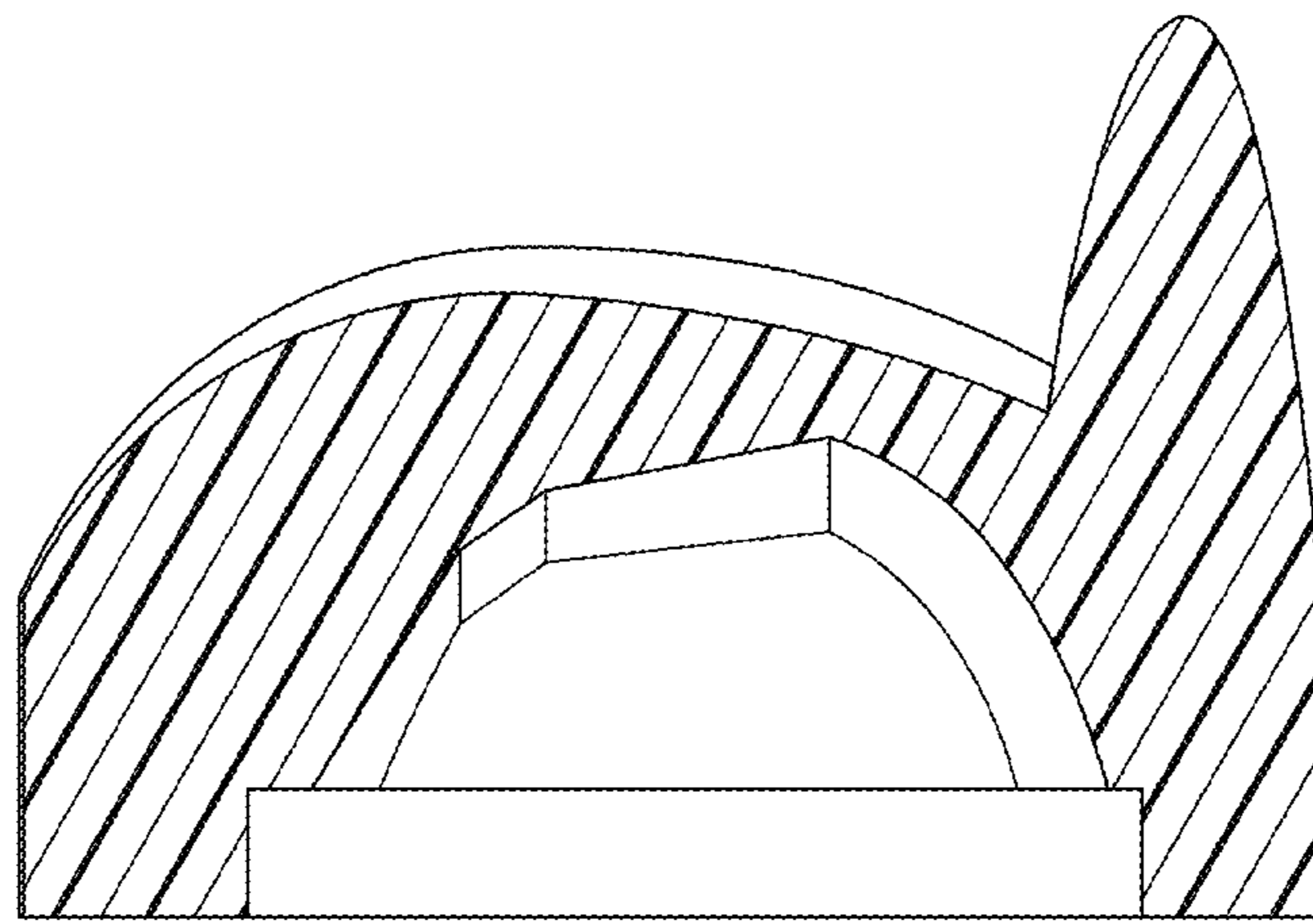


FIG.9

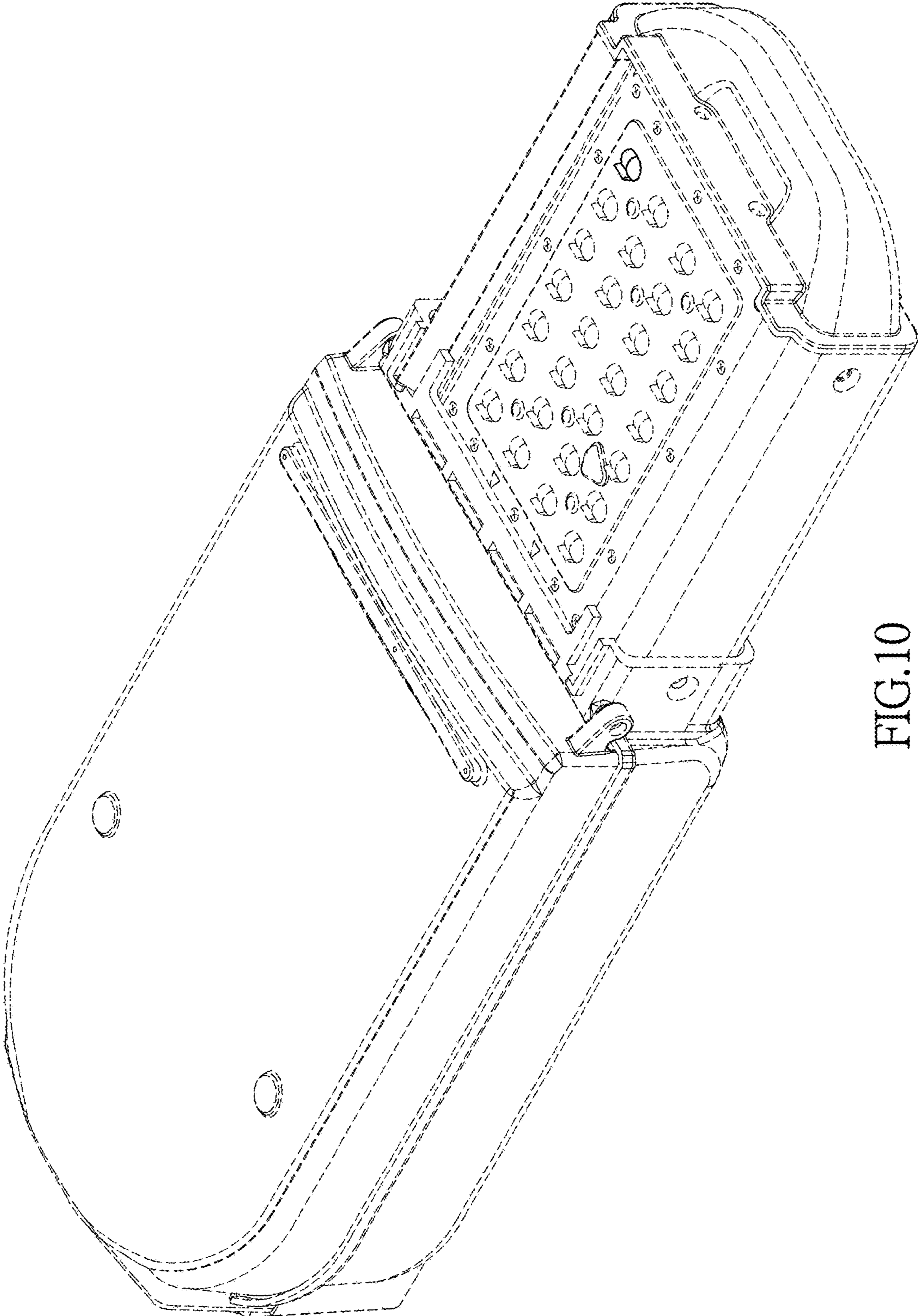


FIG.10