



US00D779703S

(12) **United States Design Patent** (10) **Patent No.:** **US D779,703 S**  
**Stanley** (45) **Date of Patent:** **\*\* Feb. 21, 2017**

(54) **HORTICULTURE GROW LIGHT**

(71) Applicant: **IP Holdings, LLC**, Vancouver, WA (US)

(72) Inventor: **John Stanley**, Vancouver, WA (US)

(73) Assignee: **IP Holdings, LLC**, Vancouver, WA (US)

(\*\*) Term: **14 Years**

(21) Appl. No.: **29/492,971**

(22) Filed: **Jun. 4, 2014**

(51) **LOC (10) Cl.** ..... **26-03**

(52) **U.S. Cl.**  
USPC ..... **D26/78**

(58) **Field of Classification Search**

USPC ..... D26/76, 78, 79, 80, 81, 82, 83, 85, 86,  
D26/88, 90, 113, 118, 119, 120, 121, 122,  
D26/138, 139, 140, 141, 142  
CPC ..... F21S 2/00; F21S 4/00; F21S 4/003;  
F21S 4/005; F21S 4/006; F21S  
4/007; F21S 4/008; F21S 6/00; F21S  
8/00; F21S 8/024; F21S 8/026; F21S  
8/031; F21S 8/033; F21S

(Continued)

(56) **References Cited**

**U.S. PATENT DOCUMENTS**

D106,614 S 10/1937 Waterbury  
D123,768 S 12/1940 Scribner  
D132,786 S \* 6/1942 Netting ..... D26/78

(Continued)

**FOREIGN PATENT DOCUMENTS**

CN ZL 201430166983.7 4/2015  
CN ZL 201530131007.2 7/2015

**OTHER PUBLICATIONS**

Horticultural Lights, image post date Jul. 7, 2014, site visited Sep. 30, 2015 (online), <<http://web.archive.org/web/20140707223459/http://www.kindgreenbuds.com/cannabis-grow-bible/best-lighting-systems/>>.

(Continued)

*Primary Examiner* — George D. Kirshbaum

*Assistant Examiner* — Natasha Vujcic

(74) *Attorney, Agent, or Firm* — J. Douglas Wells

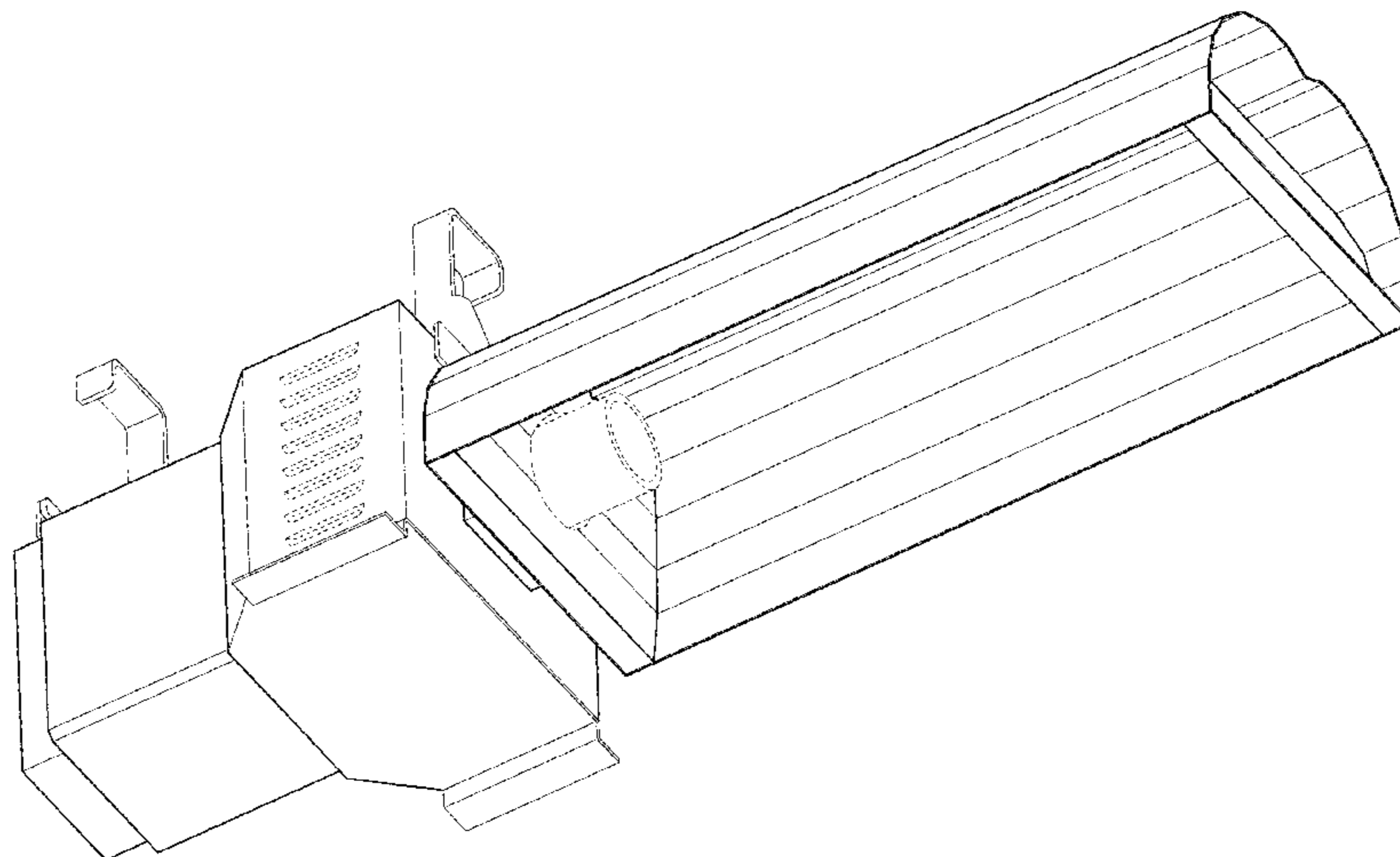
(57) **CLAIM**

The ornamental design for a horticulture grow light, as shown and described.

**DESCRIPTION**

FIG. 1 is a perspective view of a horticulture grow light, as viewed from below, showing my new design;  
FIG. 2 is a perspective view of the grow light shown in FIG. 1, as viewed from above;  
FIG. 3 is a left side view of the light shown in FIG. 1;  
FIG. 4 is a right side view of the light shown in FIG. 1;  
FIG. 5 is a front elevation view of the light shown in FIG. 1;  
FIG. 6 is a rear elevation view of the light shown in FIG. 1;  
FIG. 7 is a top plan view of the light shown in FIG. 1;  
FIG. 8 is a bottom plan view of the light shown in FIG. 1;  
FIG. 9 is a perspective view of a rear end cap and hanger of the light shown in FIG. 1;  
FIG. 10 is a perspective view of the rear end cap shown in FIG. 9; and,  
FIG. 11 is a perspective sectional view, taken from the outline shown in FIG. 10, of the rear end cap.  
The broken-line disclosure shown in the views is understood to represent portions of the article in which the claimed design is embodied, but which form no part of the claimed design.

**1 Claim, 10 Drawing Sheets**



(58) **Field of Classification Search**  
 CPC ..... 8/035-8/037;F21S 8/04; F21S 8/043;  
 F21S 8/063  
 See application file for complete search history.

(56) **References Cited**

U.S. PATENT DOCUMENTS

D133,216 S \* 7/1942 Parlato ..... D26/78  
 D135,375 S 3/1943 Biller  
 D143,061 S 12/1945 Creed  
 D156,014 S \* 11/1949 Lazerson ..... D26/78  
 2,740,883 A 4/1956 Michael  
 3,272,978 A 9/1966 Jackson  
 D268,287 S 3/1983 Boschetti  
 4,531,180 A 7/1985 Hernandez  
 4,779,178 A 10/1988 Spitz  
 4,814,954 A \* 3/1989 Spitz ..... F21S 8/02  
 362/217.07  
 4,933,821 A 6/1990 Anderson  
 D311,597 S 10/1990 Poot  
 D323,897 S 2/1992 Compton  
 D352,126 S 11/1994 Ruud  
 D377,234 S 1/1997 Roberts  
 D413,176 S 8/1999 Mier-Langner  
 D428,516 S 7/2000 Reo  
 6,152,579 A 11/2000 Reed et al.  
 D447,272 S 8/2001 Smith  
 D456,938 S 5/2002 Wardenburg  
 D459,825 S 7/2002 Field  
 D465,049 S \* 10/2002 Ludwig ..... D26/78  
 D469,564 S 1/2003 Brok  
 6,527,422 B1 3/2003 Hutchison  
 6,595,662 B2 7/2003 Wardenburg  
 D542,460 S 5/2007 Hargreaves  
 D543,652 S 5/2007 Hargreaves  
 D543,654 S 5/2007 Hargreaves  
 D544,131 S 6/2007 Blackman  
 D544,139 S 6/2007 Hargreaves  
 D544,626 S 6/2007 Hargreaves  
 D544,983 S 6/2007 Hargreaves  
 D544,984 S 6/2007 Hargreaves  
 D544,985 S 6/2007 Hargreaves  
 D544,987 S 6/2007 Hargreaves  
 D544,994 S 6/2007 Hargreaves  
 D544,995 S 6/2007 Hargreaves  
 D545,484 S 6/2007 Hargreaves  
 D545,485 S 6/2007 Hargreaves  
 D545,994 S 7/2007 Hargreaves  
 D586,030 S 2/2009 Genova  
 7,524,090 B2 4/2009 Hargreaves  
 D603,087 S 10/2009 Mo et al.  
 7,641,367 B2 1/2010 Hargreaves et al.  
 D613,900 S 4/2010 Hargreaves  
 D614,801 S 4/2010 Collins  
 7,722,208 B1 5/2010 Dupre  
 7,722,228 B2 5/2010 Broer  
 D634,060 S 3/2011 Wardenburg  
 D634,468 S 3/2011 Hargreaves  
 D634,469 S 3/2011 Hargreaves  
 D637,162 S 5/2011 Bridgman

D637,752 S 5/2011 Mekhtarian  
 7,959,331 B2 6/2011 Ho  
 7,972,044 B2 7/2011 Burkhauser  
 8,209,912 B2 7/2012 Hargreaves  
 D669,204 S \* 10/2012 Snell ..... D26/76  
 D670,850 S \* 11/2012 Helenowski ..... D26/76  
 D672,911 S 12/2012 Mayfield  
 D675,369 S 1/2013 Michaud  
 8,348,481 B2 1/2013 Chang  
 D676,185 S \* 2/2013 Piepgras ..... D26/113  
 D678,599 S 3/2013 Boyer  
 D683,064 S 5/2013 Tuck  
 D693,959 S 11/2013 Boyer  
 D698,986 S 2/2014 Reynolds  
 D698,987 S 2/2014 Stanley  
 8,905,575 B2 12/2014 Durkee  
 D725,819 S 3/2015 Reynolds  
 9,010,970 B2 4/2015 Guercio  
 9,016,907 B2 4/2015 Stanley  
 D731,701 S 6/2015 Hargreaves  
 D732,233 S 6/2015 Reynolds  
 D732,235 S 6/2015 Reynolds  
 D732,236 S 6/2015 Reynolds  
 D736,450 S 8/2015 Reynolds  
 D737,134 S 8/2015 Thompson  
 D737,498 S 8/2015 Stanley  
 9,110,209 B2 8/2015 Blessitt  
 D739,595 S 9/2015 Reynolds  
 D740,486 S 10/2015 Stanley  
 D747,029 S 1/2016 Reynolds  
 D748,849 S 2/2016 Stanley  
 D750,312 S 2/2016 Reynolds  
 D750,316 S 2/2016 Reynolds  
 D751,244 S 3/2016 Reynolds  
 D751,247 S 3/2016 Reynolds  
 D757,323 S 5/2016 Reynolds  
 D762,320 S 7/2016 Reynolds  
 2001/0023173 A1 9/2001 Schiedegger  
 2002/0141195 A1 10/2002 Wardenburg  
 2008/0205030 A1 8/2008 Hargreaves  
 2008/0205071 A1 8/2008 Townsley  
 2008/0219008 A1 9/2008 Schaefer  
 2008/0278950 A1 11/2008 Pickard  
 2009/0262540 A1 10/2009 Hargreaves  
 2009/0323335 A1 12/2009 Yang  
 2013/0083539 A1 4/2013 Dimitriadis  
 2015/0082692 A1 3/2015 Wardenburg  
 2015/0252993 A1 \* 9/2015 Stanley ..... H01J 61/22  
 362/264

OTHER PUBLICATIONS

Horticultural Lighting, image post date Sep. 2008, site visted Sep. 30, 2015, (online), <<http://www.dendroboard.com/forum/sponsor-classifieds/104681-grow-your-own-plants-horticulture-neherp.html>>.  
 Steel S Section, image post date Aug. 30, 2000, site visted Sep. 30, 2015 (online), <<http://web.archive.org/web/20000830093120/http://www.efunda.com/math/areas/RolledSteelBeamsS.cfm>>.

\* cited by examiner



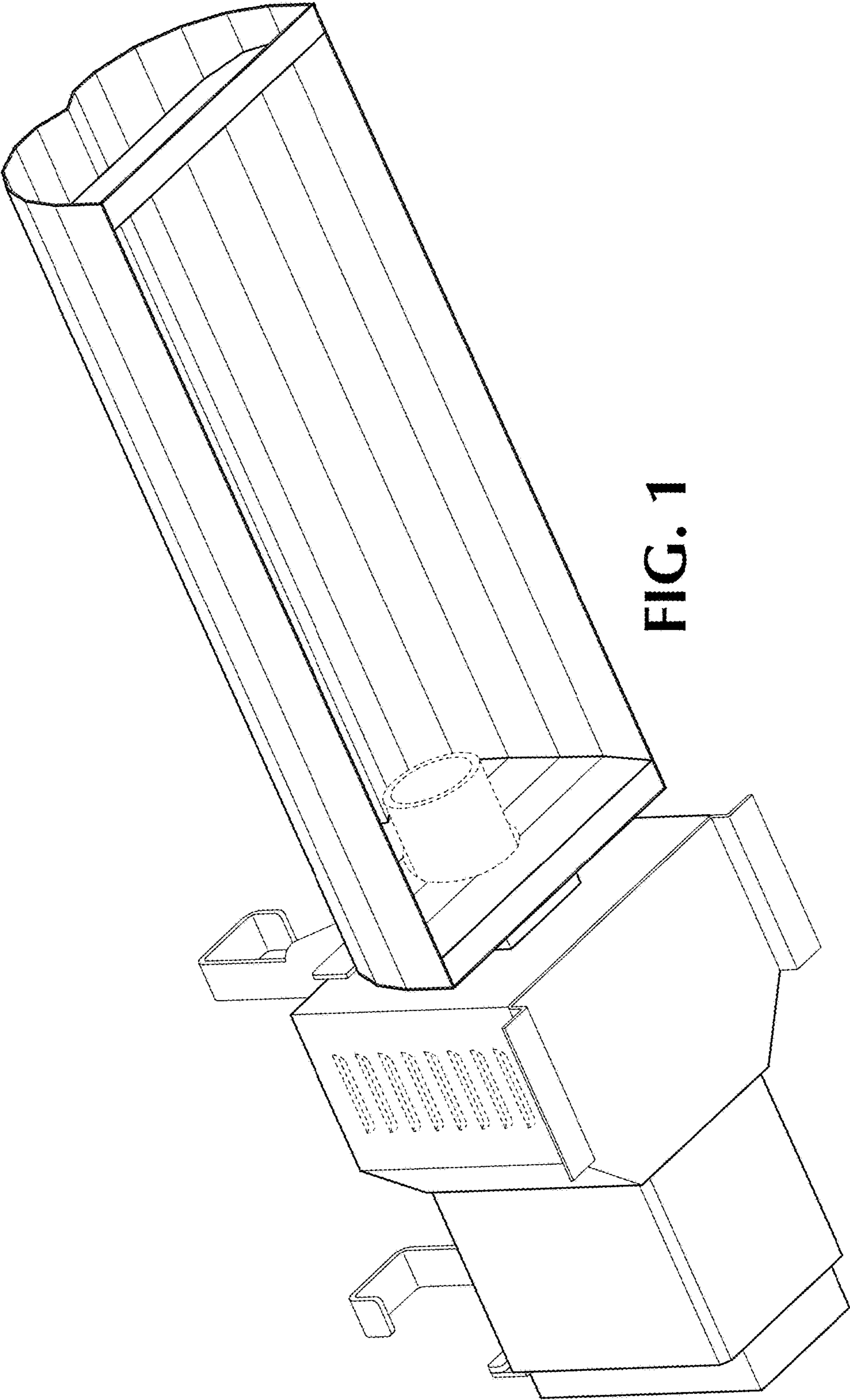


FIG. 1

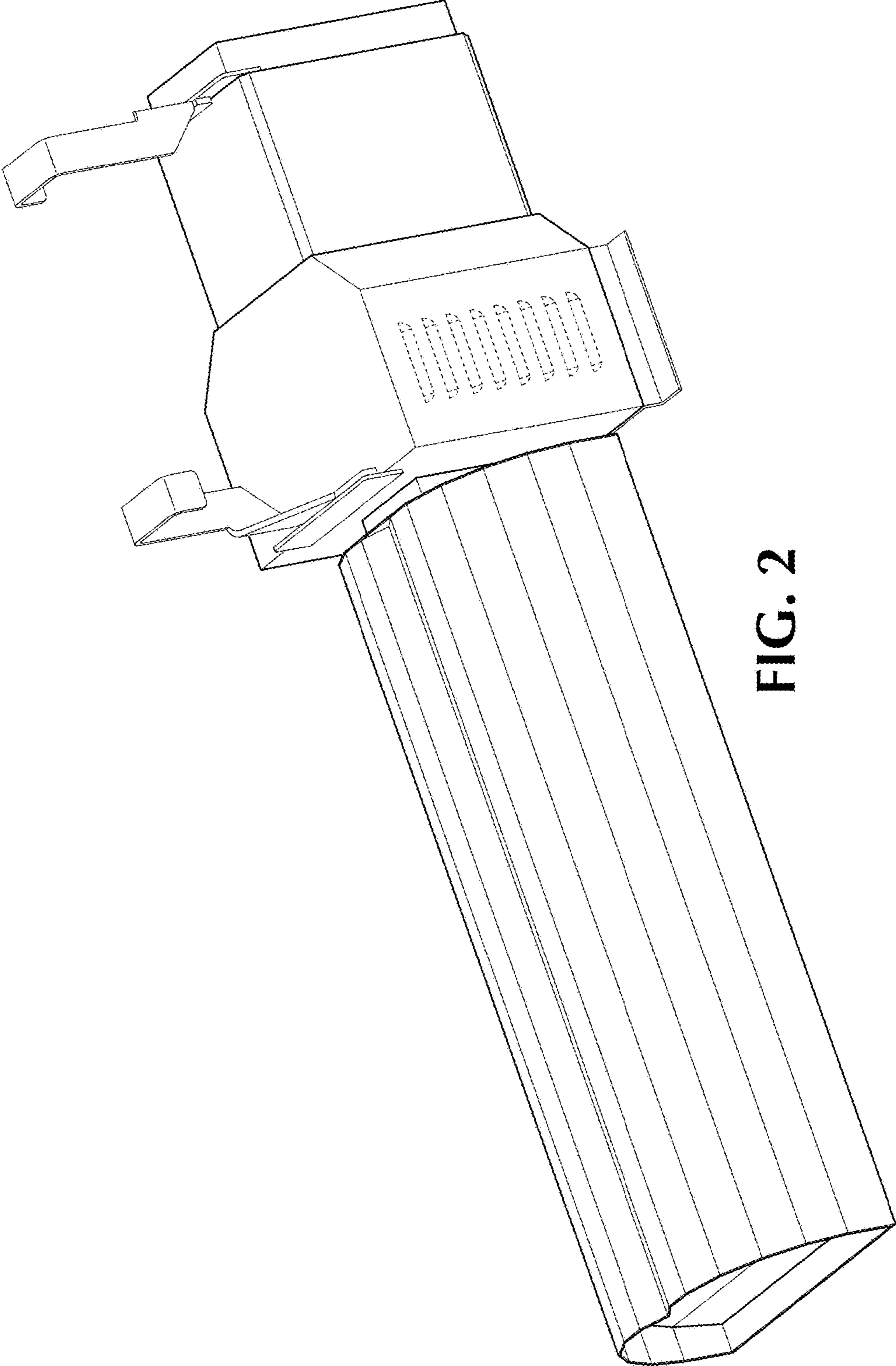


FIG. 2

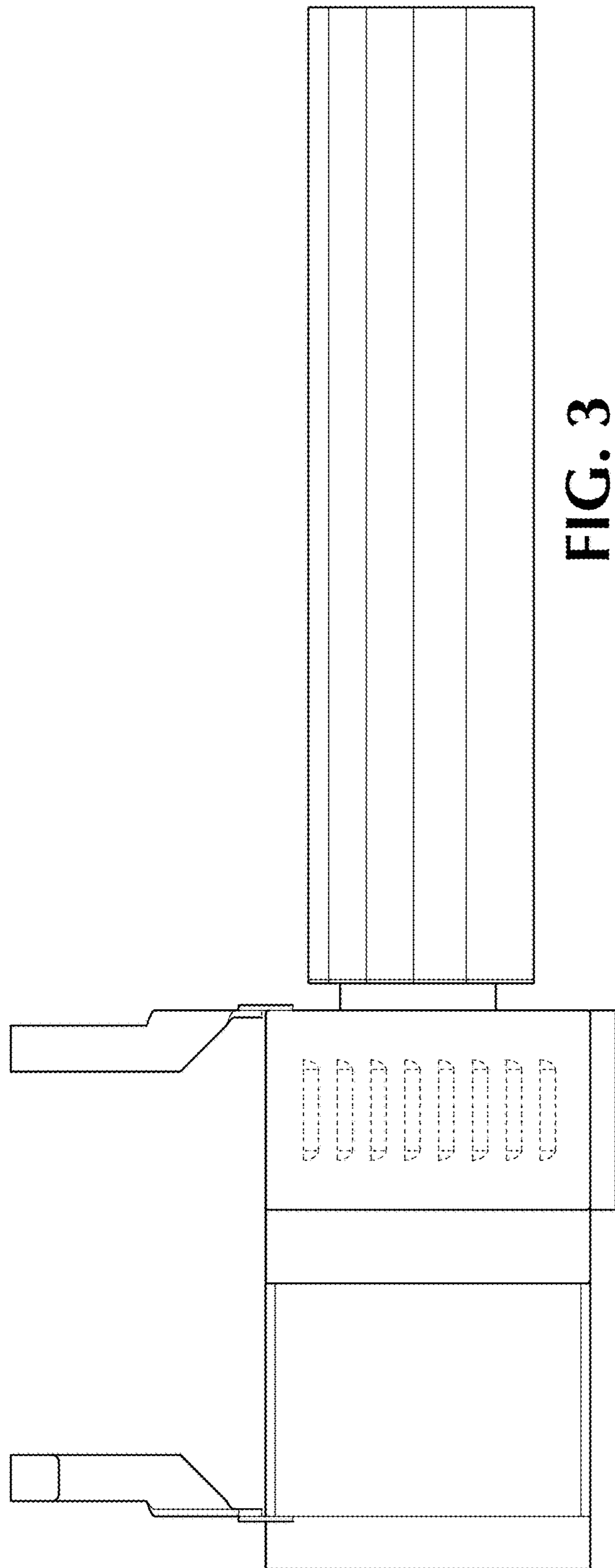


FIG. 3

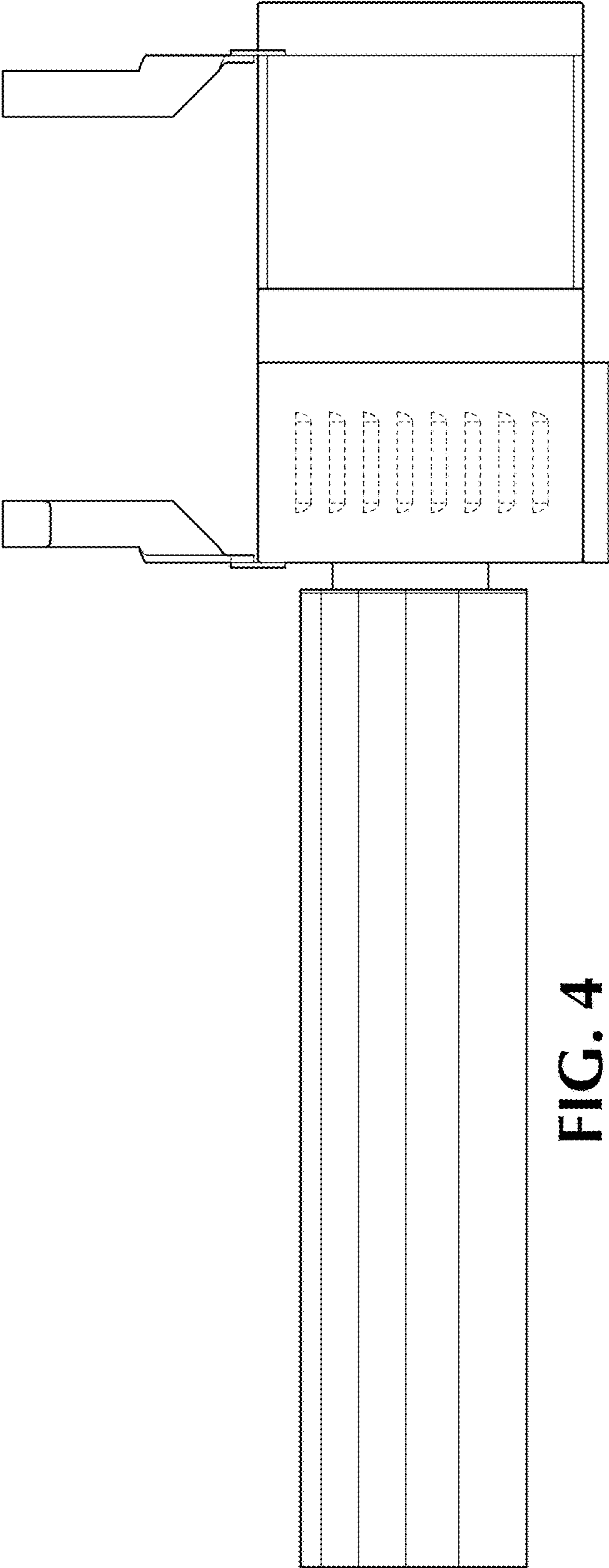
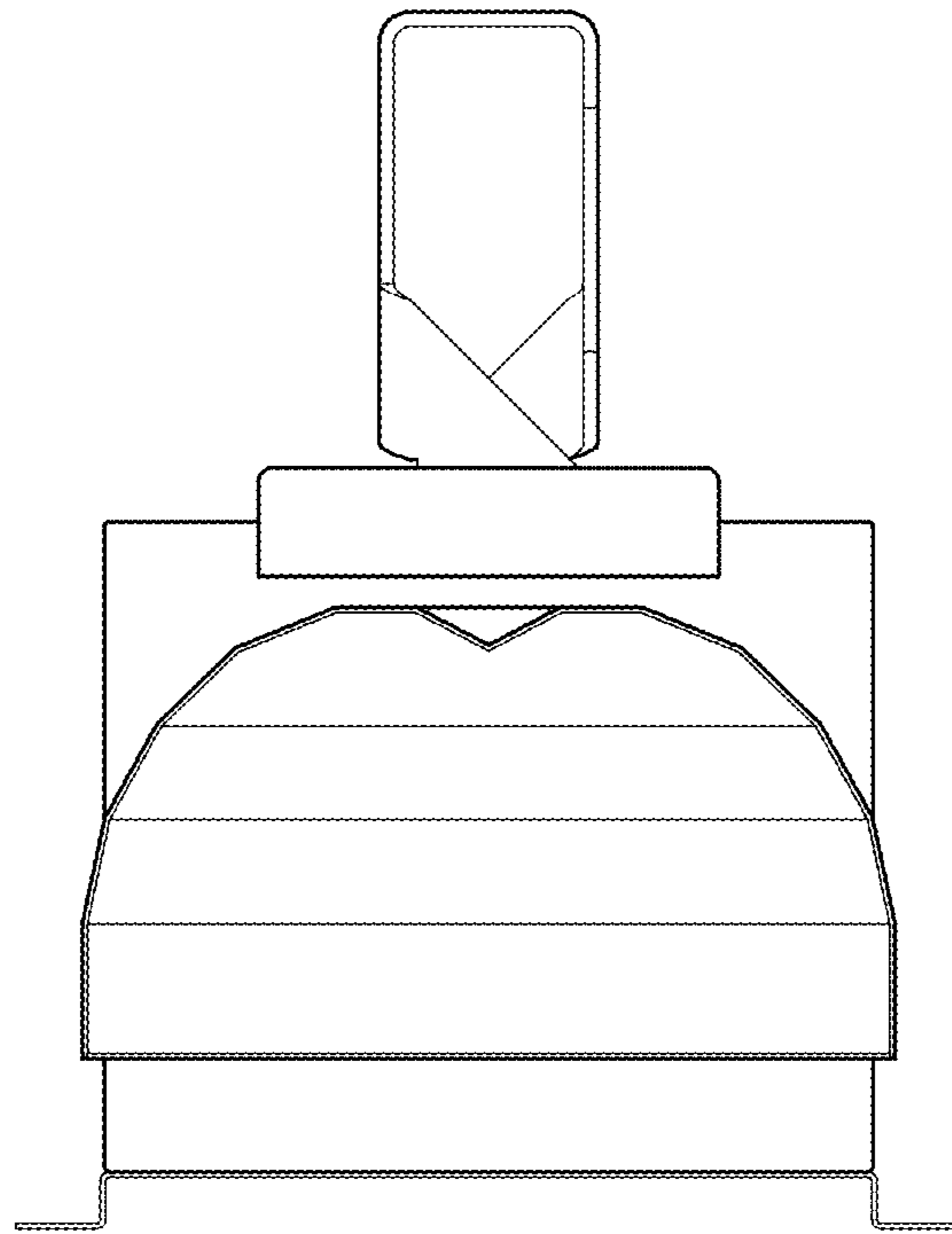
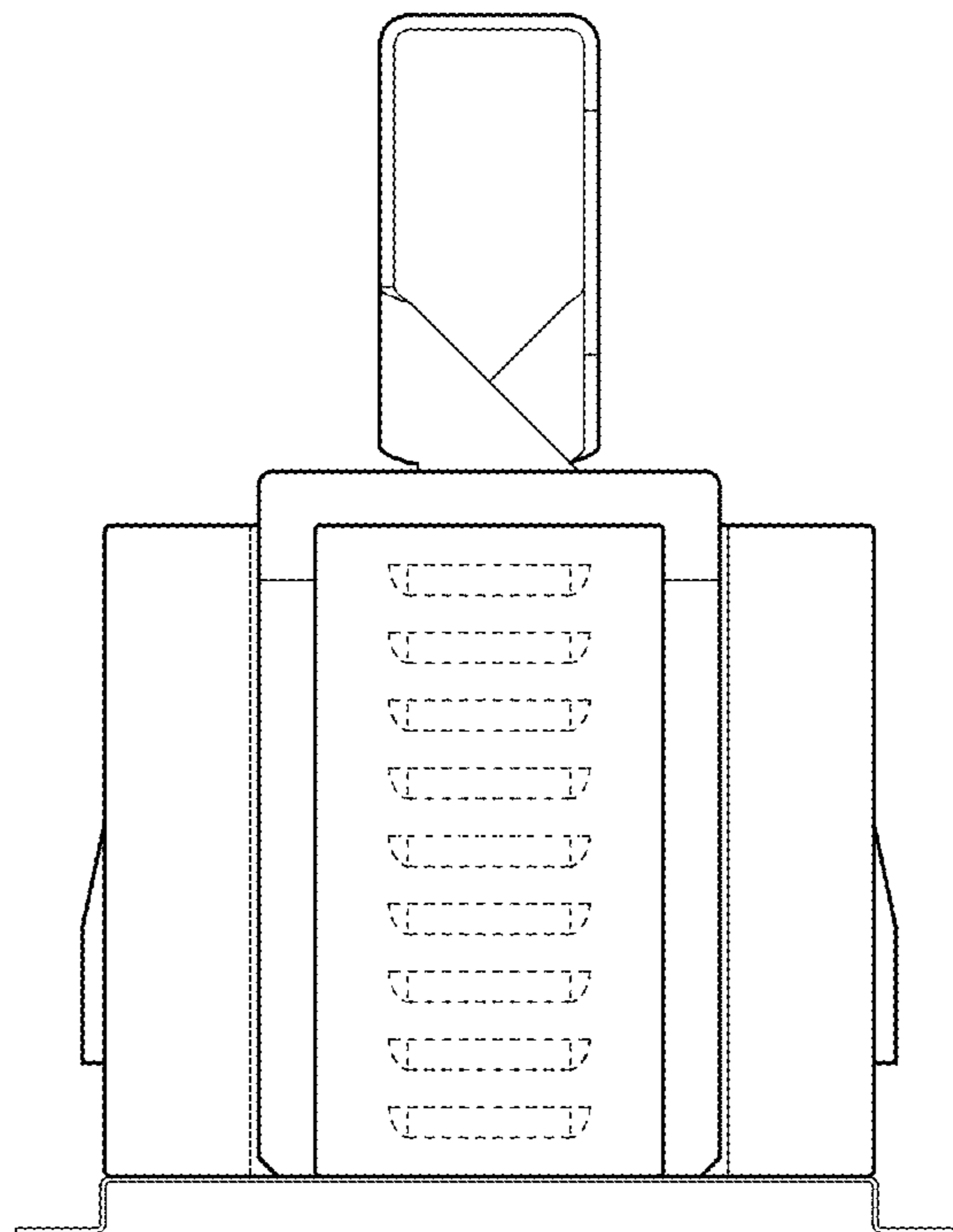


FIG. 4



**FIG. 5**



**FIG. 6**

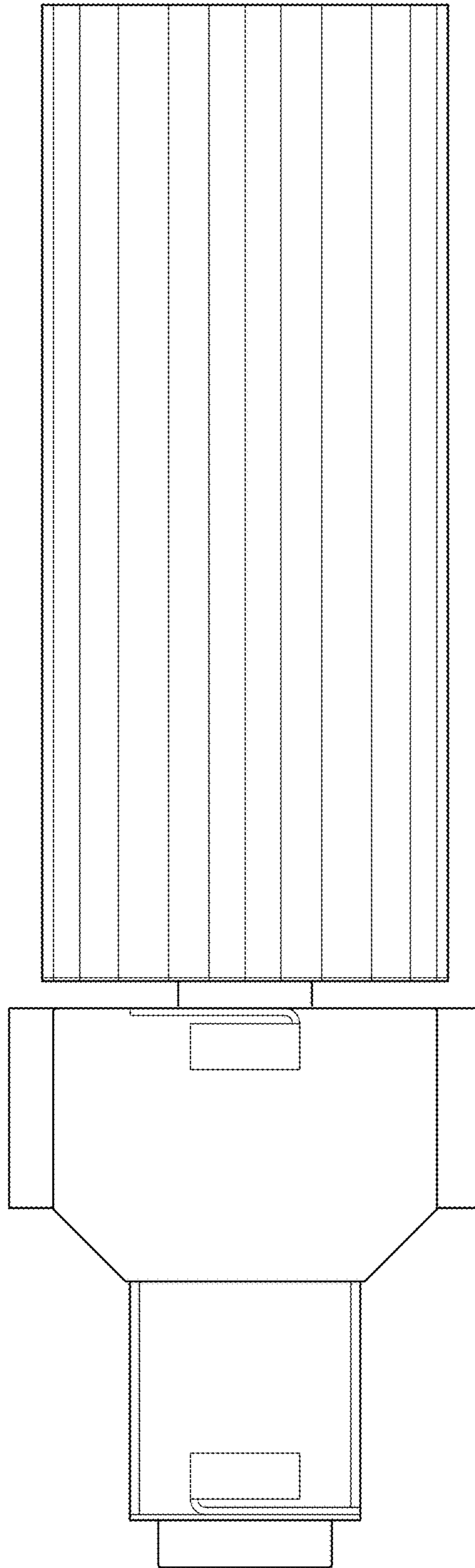


FIG. 7



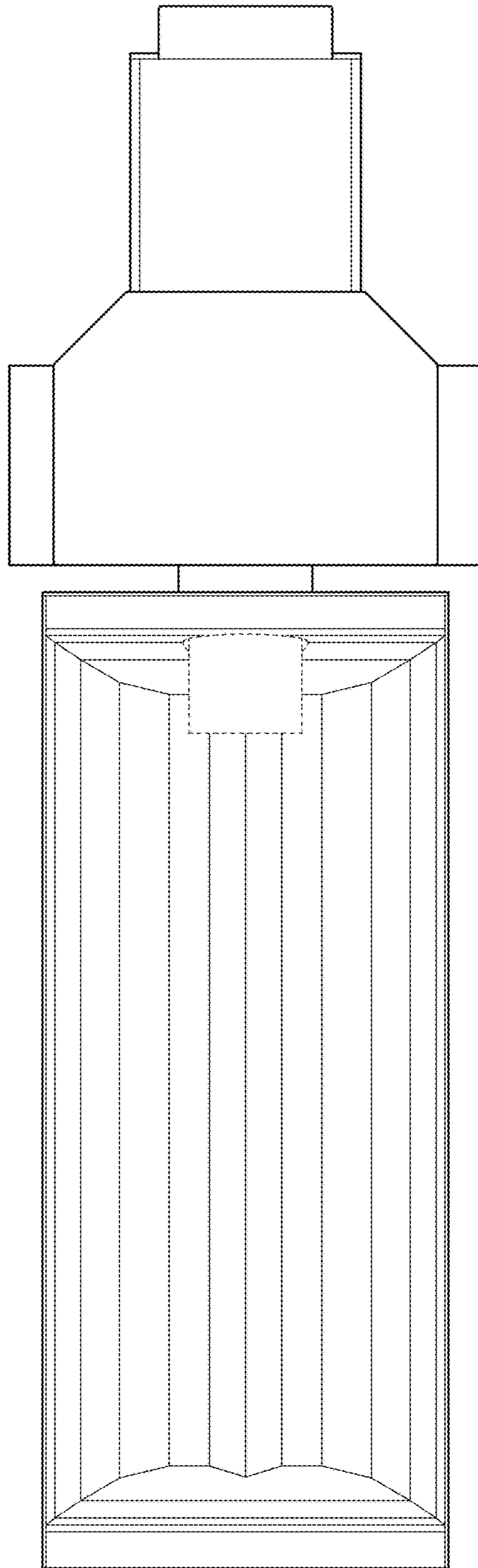
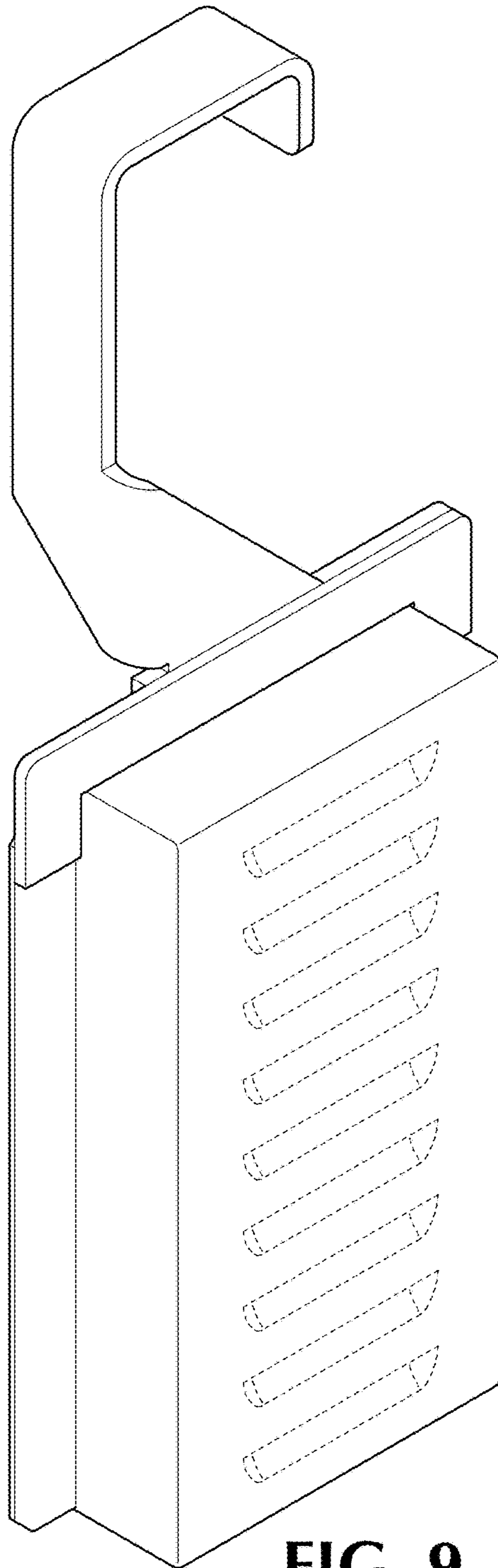
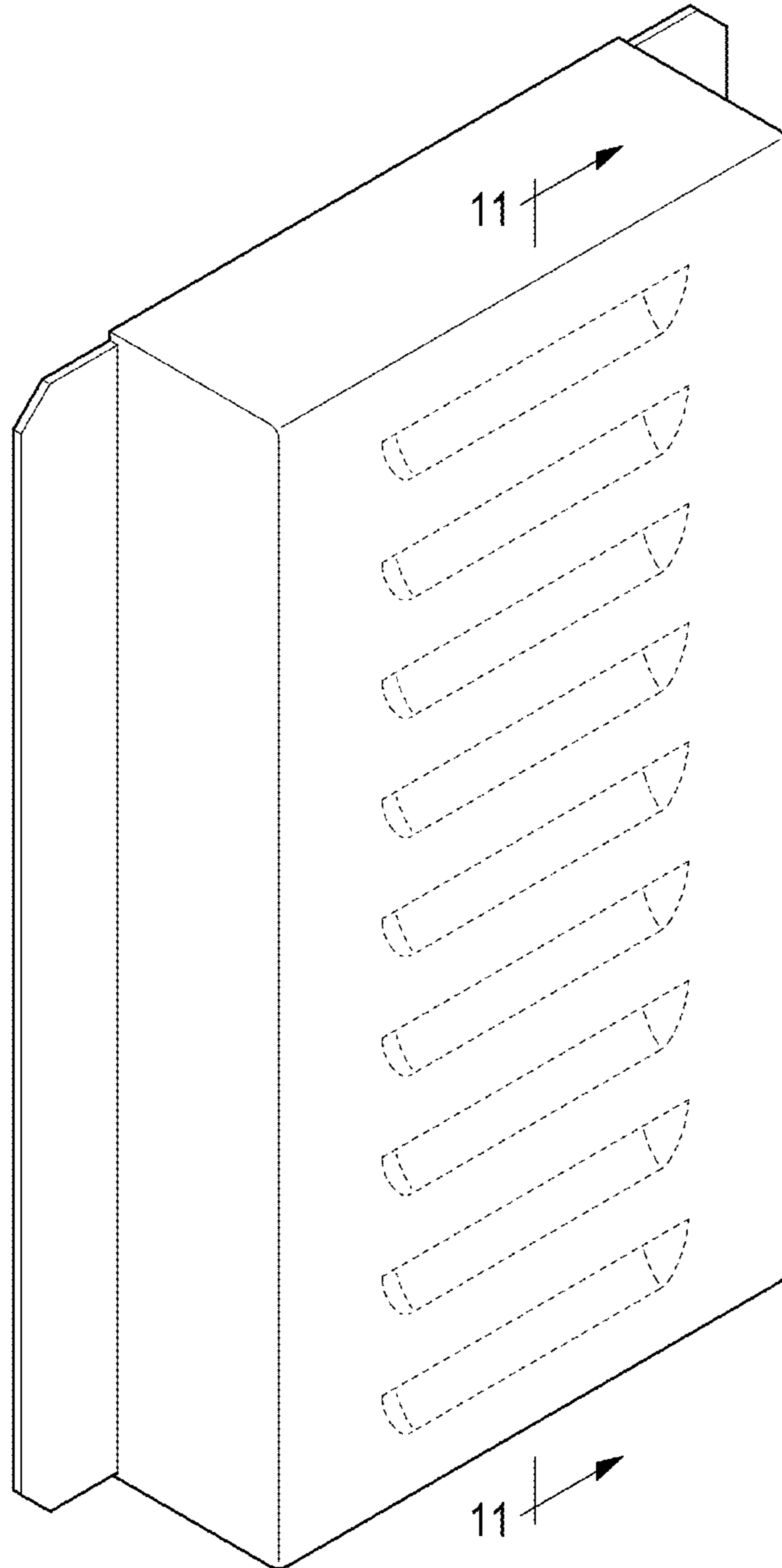


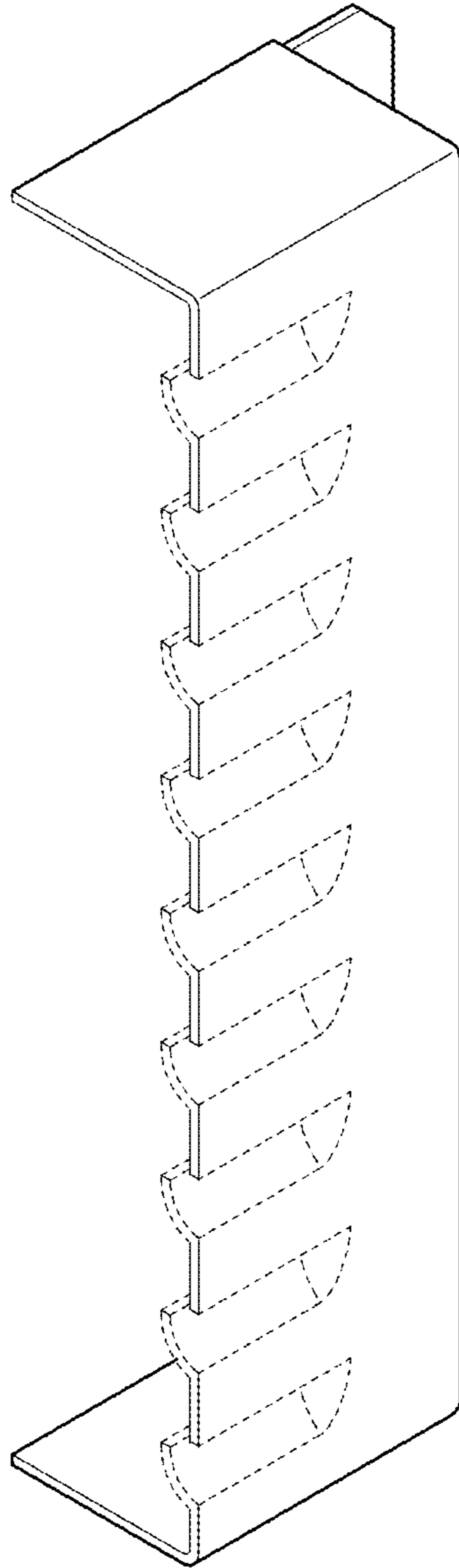
FIG. 8



**FIG. 9**



**FIG. 10**



**FIG. 11**