



US00D779701S

(12) **United States Design Patent** (10) **Patent No.:** **US D779,701 S**
Lazalier et al. (45) **Date of Patent:** **** Feb. 21, 2017**

(54) **LUMINAIRE**

(56) **References Cited**

- (71) Applicant: **Hubbell Incorporated**, Shelton, CT (US)
- (72) Inventors: **Ray M. Lazalier**, Lake St. Louis, MO (US); **Howard P. Clayton**, Festus, MO (US)
- (73) Assignee: **Hubbell Incorporated**, Shelton, CT (US)
- (**) Term: **15 Years**
- (21) Appl. No.: **29/551,236**
- (22) Filed: **Jan. 12, 2016**

U.S. PATENT DOCUMENTS

1,453,887 A	5/1923	Nutt	
D109,740 S	5/1938	Stewart	
D286,205 S	10/1986	Jankowski et al.	
D346,239 S	4/1994	Vamberszky et al.	
D431,316 S	9/2000	Tickner	
D448,880 S	10/2001	Benghozi	
D474,300 S	5/2003	Lecluze	
D488,251 S	4/2004	Benghozi	
D488,583 S	4/2004	Benghozi	
6,779,910 B1	8/2004	Pelton	
D508,583 S	8/2005	Carbone	
D539,464 S	3/2007	Dworschak	
D544,979 S *	6/2007	Hartmann, Jr.	D26/74
D561,374 S	2/2008	Hartmann, Jr. et al.	
D583,980 S	12/2008	Guercio	
D592,792 S	5/2009	Keller	
D601,293 S	9/2009	MacKenzie	
D610,292 S	2/2010	Yoshinobu et al.	

(Continued)

Related U.S. Application Data

- (62) Division of application No. 29/487,946, filed on Apr. 14, 2014, now Pat. No. Des. 747,530, which is a division of application No. 29/438,424, filed on Nov. 29, 2012, now Pat. No. Des. 705,973.

Primary Examiner — Angela J Lee

(74) *Attorney, Agent, or Firm* — Michael Best & Friedrich, LLP

- (51) **LOC (10) Cl.** **26-05**
- (52) **U.S. Cl.**
USPC **D26/74**

(57) **CLAIM**

The ornamental design for a luminaire, as shown and described.

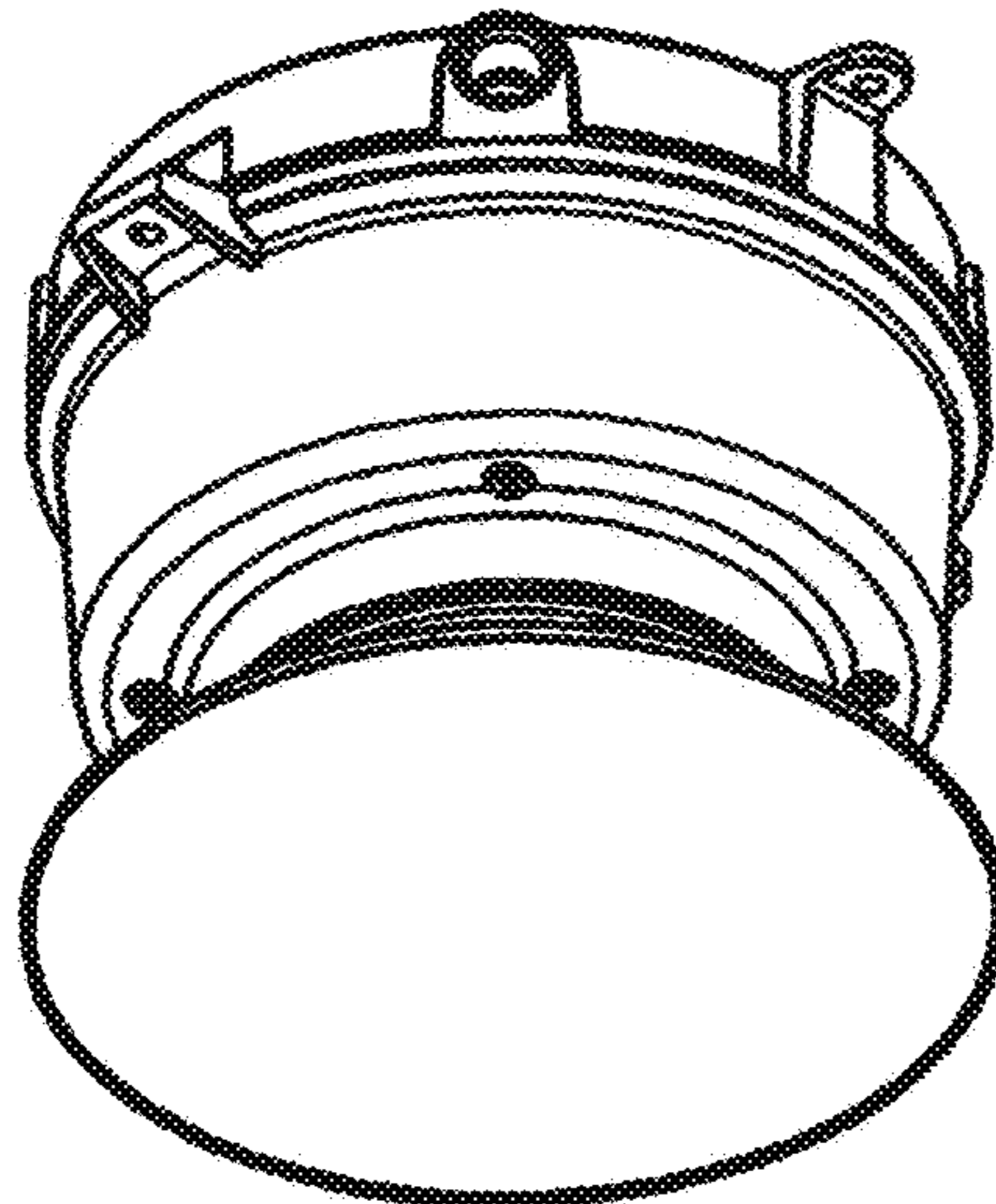
- (58) **Field of Classification Search**
USPC D26/74, 72, 75, 76, 77, 78, 85, 88, 89, D26/118, 138, 141; 362/364, 365, 373, 362/145, 146, 147, 148, 150, 153, 153.1, 362/294, 296.01, 296.07, 296.08
CPC F21V 29/2262; F21V 7/06; F21V 21/044; F21V 21/047; F21V 29/2212; F21V 29/2225; F21V 29/2256; F21V 29/225; F21V 29/2268; F21Y 2111/002; F21S 8/02; F21S 8/026

DESCRIPTION

FIG. 1 is a bottom perspective view of the surface mount luminaire;
 FIG. 2 is a front side view of the surface mount luminaire;
 FIG. 3 is a rear side view of the surface mount luminaire;
 FIG. 4 is a right side view of the surface mount luminaire;
 FIG. 5 is a left side view of the surface mount luminaire;
 FIG. 6 is a bottom view of the surface mount luminaire; and,
 FIG. 7 is a top view of the surface mount luminaire.

See application file for complete search history.

1 Claim, 3 Drawing Sheets



(56)

References Cited

U.S. PATENT DOCUMENTS

D617,031	S	6/2010	Redfern et al.	
D622,434	S	8/2010	Ward et al.	
D627,502	S	11/2010	Zheng et al.	
D633,099	S	2/2011	Van de Ven et al.	
D643,562	S	8/2011	Mier-Langner et al.	
D655,850	S	3/2012	Sabernig	
D658,327	S	4/2012	Meise et al.	
8,182,116	B2	5/2012	Zhang et al.	
D663,465	S	7/2012	Couvreur et al.	
D664,279	S *	7/2012	Meise	D26/72
D668,372	S	10/2012	Renshaw et al.	
D671,668	S	11/2012	Rowlette, Jr. et al.	
D674,127	S	1/2013	Rowlette, Jr. et al.	
D683,883	S	6/2013	Yorio et al.	
D684,288	S	6/2013	Gielen	
D698,071	S	1/2014	Messiaen	
D704,875	S	5/2014	Johnson	
D705,973	S	5/2014	Lazalier et al.	
D724,775	S *	3/2015	van Dijk	D26/74
D726,360	S *	4/2015	Messiaen	D26/74
D747,025	S *	1/2016	Skira	D26/85
D747,530	S	1/2016	Lazalier et al.	
2008/0112170	A1 *	5/2008	Trott	F21S 8/02 362/311.06
2011/0075411	A1	3/2011	Van De Ven et al.	
2013/0039072	A1	2/2013	Kim et al.	
2014/0063810	A1	3/2014	Randolph et al.	

* cited by examiner

FIG. 1

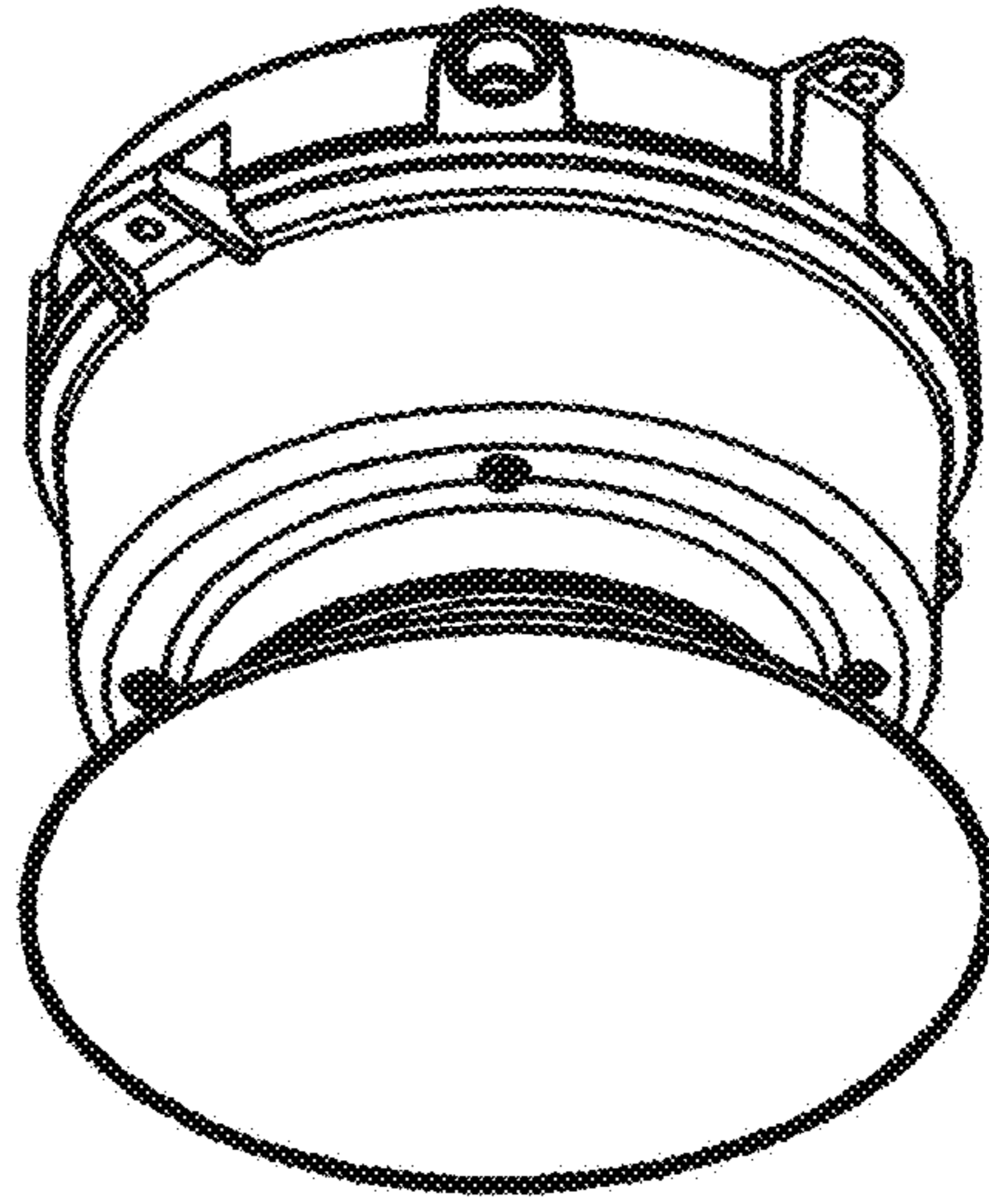


FIG. 2

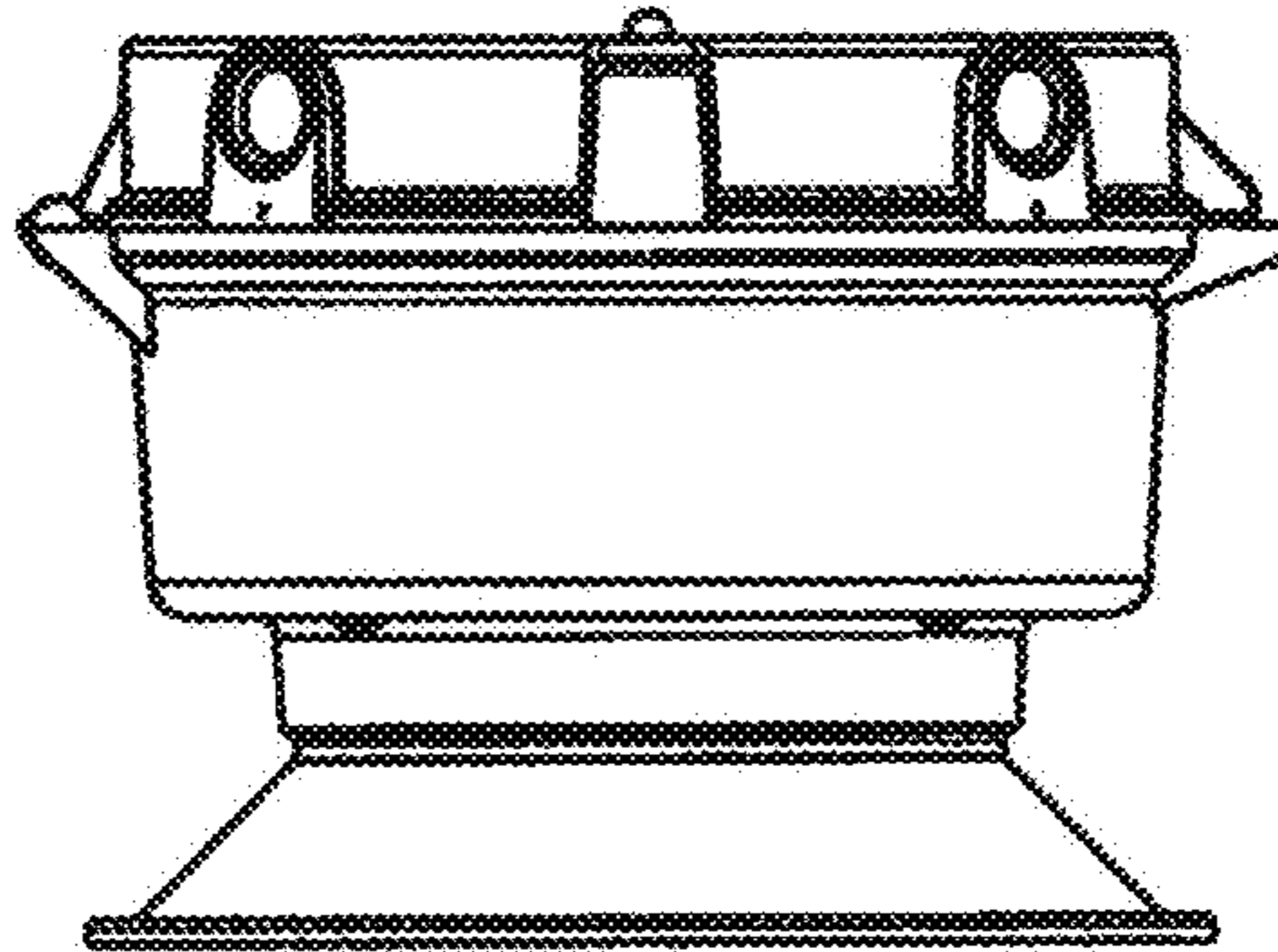


FIG. 3

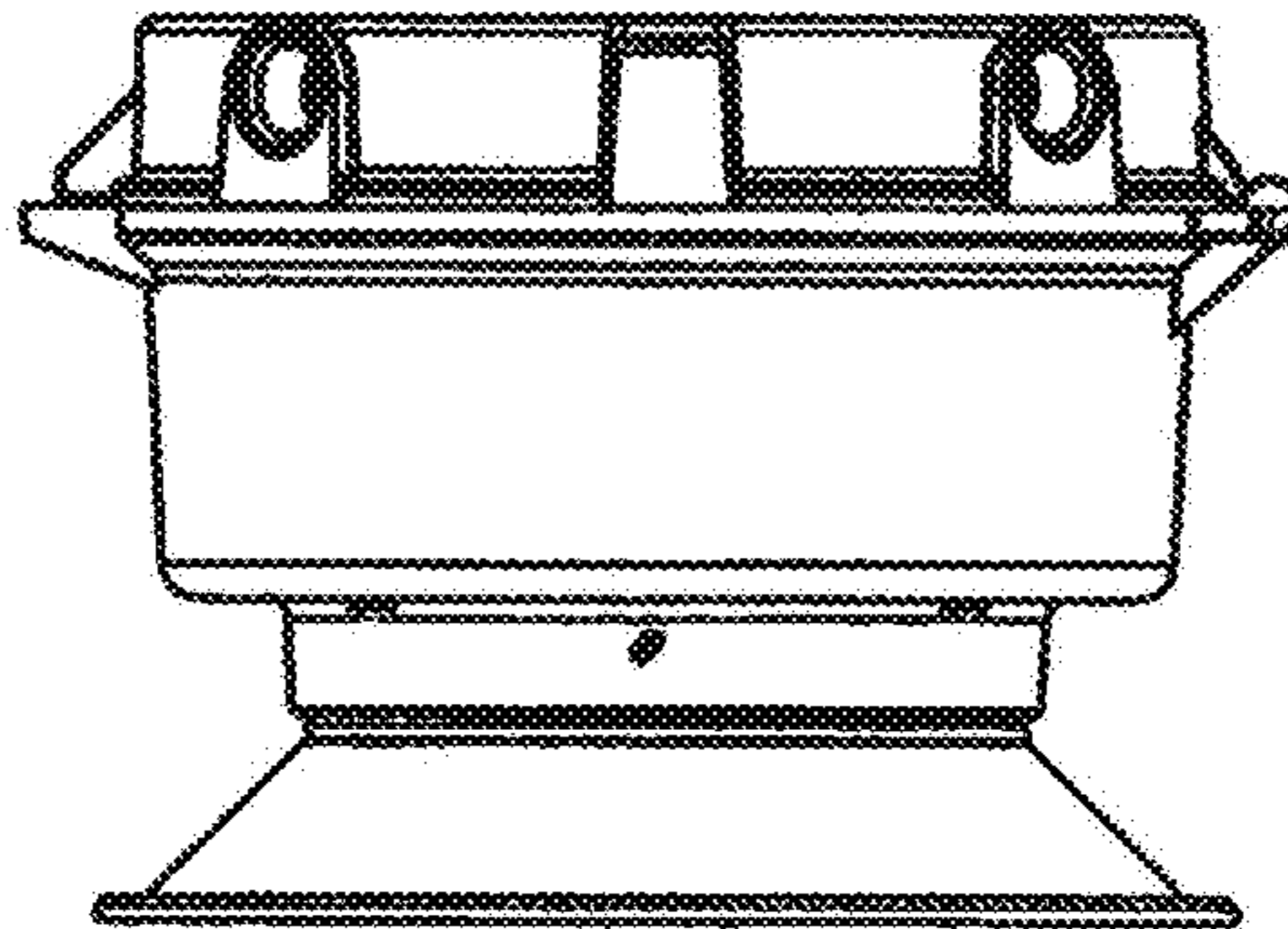


FIG. 4

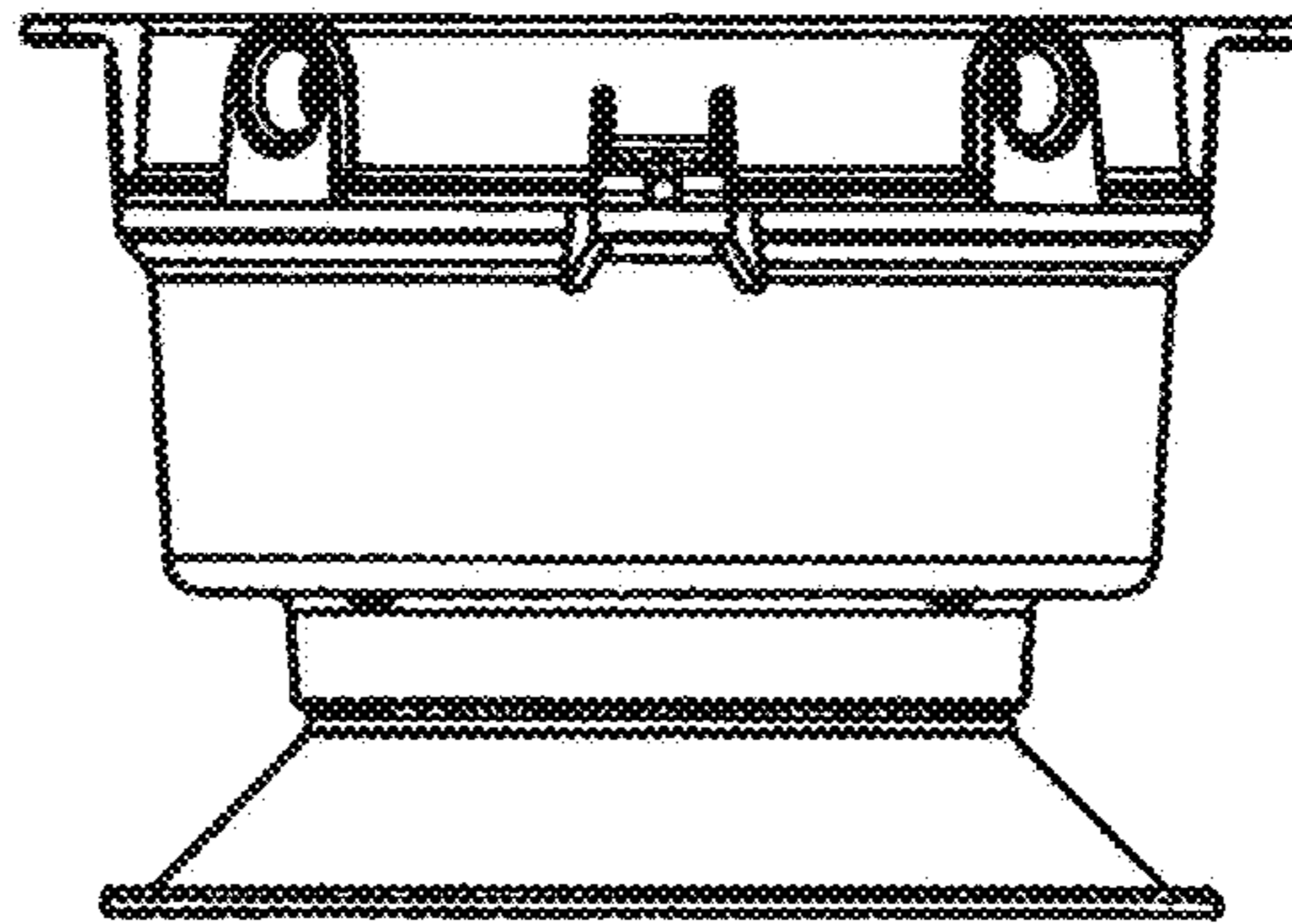


FIG. 5

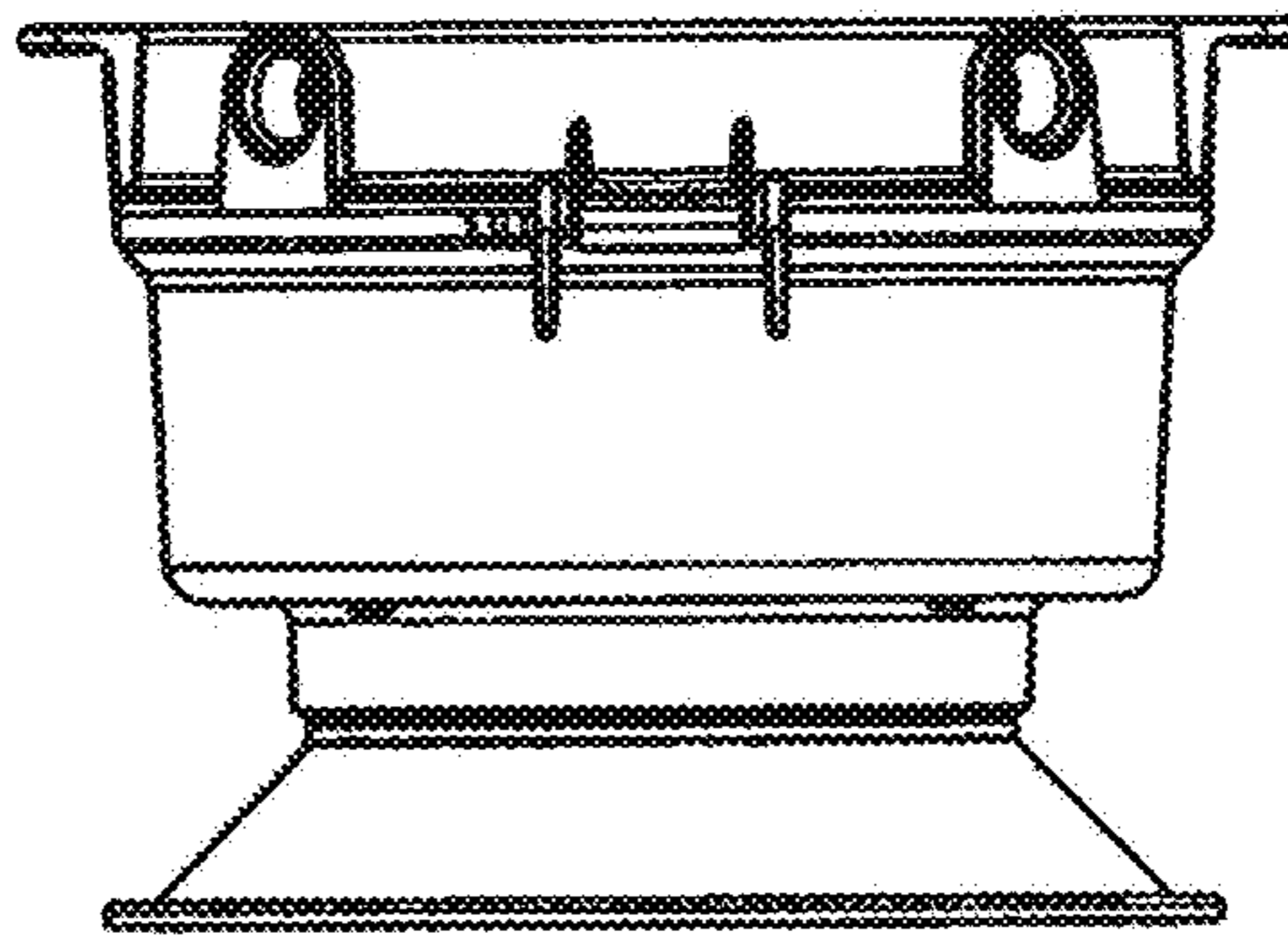


FIG. 6

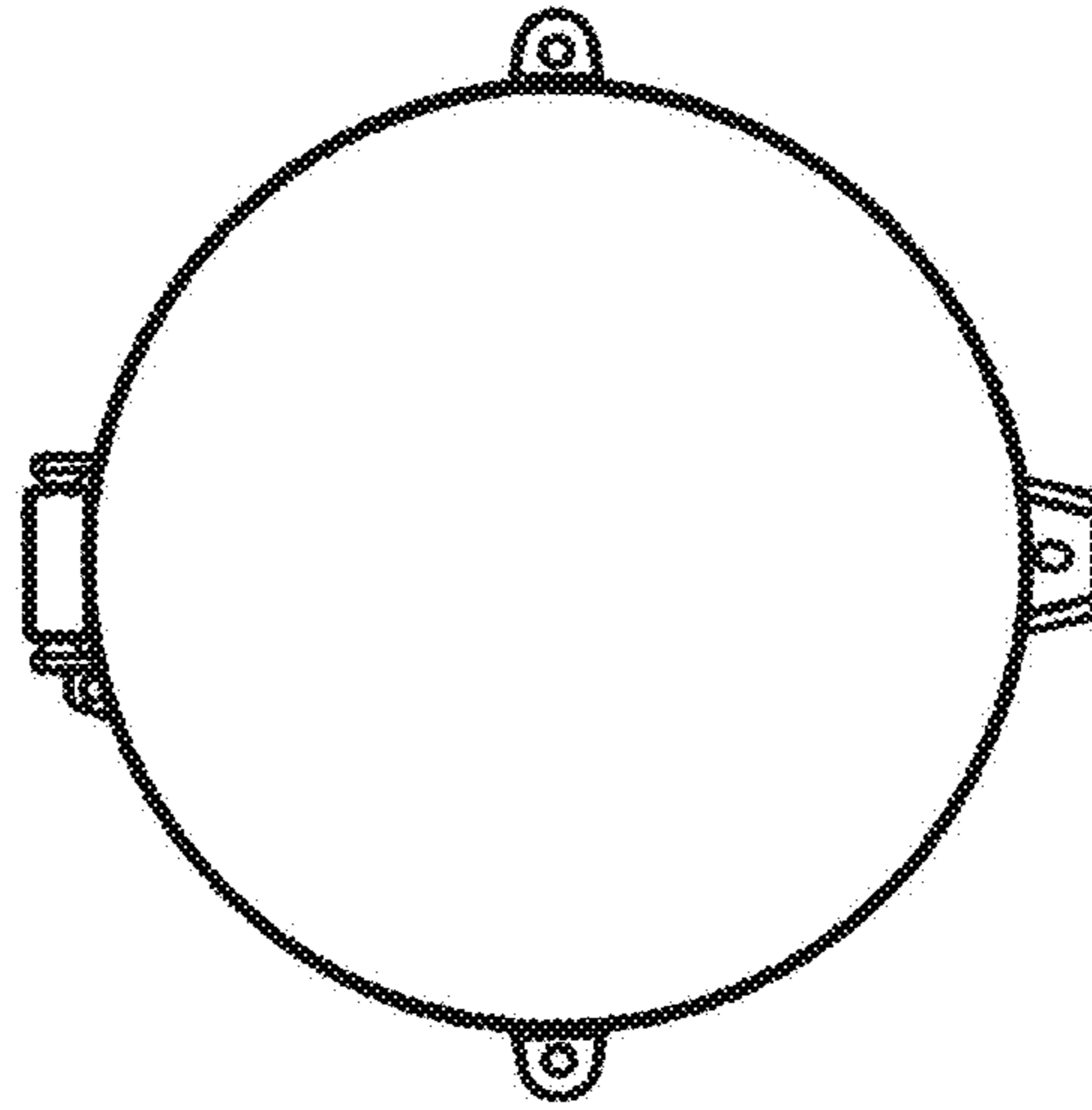


FIG. 7

