



US00D779700S

(12) **United States Design Patent**
Lee

(10) **Patent No.:** **US D779,700 S**
(45) **Date of Patent:** **** Feb. 21, 2017**

- (54) **RECESSED LUMINAIRE**
- (71) Applicant: **Siu Woo Lee**, Guangdong Province (CN)
- (72) Inventor: **Siu Woo Lee**, Guangdong Province (CN)
- (**) Term: **15 Years**
- (21) Appl. No.: **29/538,471**
- (22) Filed: **Sep. 3, 2015**
- (30) **Foreign Application Priority Data**
Mar. 27, 2015 (CA) 161765
- (51) **LOC (10) Cl.** **26-05**
- (52) **U.S. Cl.**
USPC **D26/74**
- (58) **Field of Classification Search**
USPC D26/74, 72, 75, 76, 77, 78, 85, 88, 89, 362/145, 146, 147, 148, 150, 153, 153.1, 362/294, 296.01, 296.07, 296.08
CPC F21V 29/2262; F21V 7/06; F21V 21/044; F21V 21/047; F21V 29/2212; F21V 29/2225; F21V 29/2256; F21V 29/225; F21V 29/2268; F21Y 2111/002; F21S 8/02; F21S 8/026
See application file for complete search history.

- (56) **References Cited**
U.S. PATENT DOCUMENTS
D448,880 S * 10/2001 Benghozi D26/74
D574,541 S * 8/2008 Matsumoto D26/74

7,476,010 B2 *	1/2009	Johnson	F21S 8/02 362/148
D601,293 S *	9/2009	MacKenzie	D26/74
D601,739 S *	10/2009	Chan	D26/74
D609,840 S *	2/2010	Tang	D26/74
D632,822 S *	2/2011	Bitton	D26/74
D655,436 S *	3/2012	Johnson	D26/74
D674,127 S *	1/2013	Rowlette, Jr.	D26/74
D698,071 S *	1/2014	Messiaen	D26/74
D704,371 S *	5/2014	Van De Ven	D26/74
D704,875 S *	5/2014	Johnson	D26/74
D726,360 S *	4/2015	Messiaen	D26/74

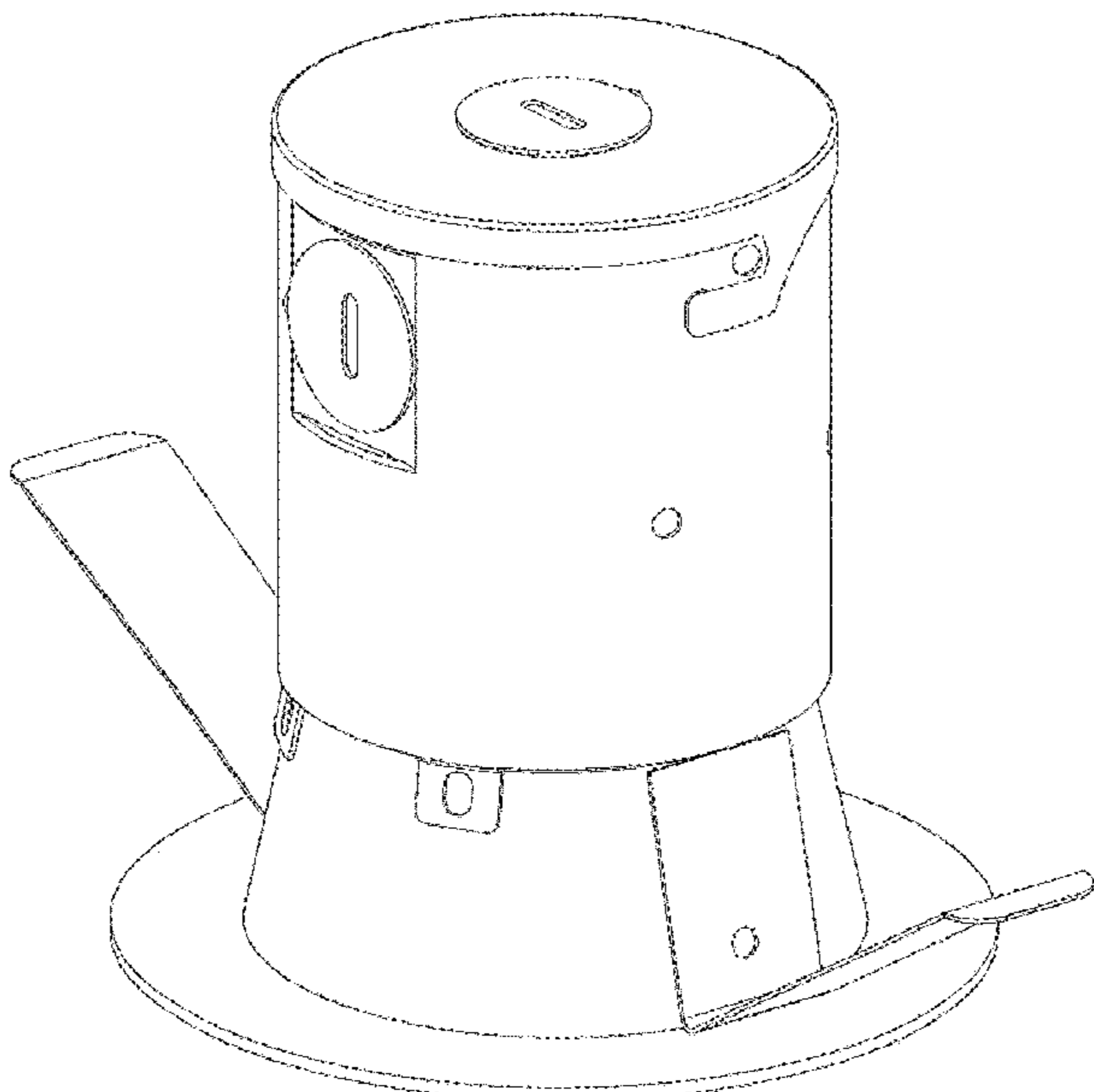
* cited by examiner

Primary Examiner — Angela J Lee
(74) *Attorney, Agent, or Firm* — Klarquist Sparkman, LLP

(57) **CLAIM**
I claim the ornamental design for a recessed luminaire, as shown and described.

DESCRIPTION
FIG. 1 is a front view of the recessed luminaire.
FIG. 2 is a right view of the recessed luminaire of FIG. 1.
FIG. 3 is a left view of the recessed luminaire of FIG. 1.
FIG. 4 is a rear view of the recessed luminaire of FIG. 1.
FIG. 5 is a top view of the recessed luminaire of FIG. 1.
FIG. 6 is a bottom view of the recessed luminaire of FIG. 1.
FIG. 7 is a first perspective view of the recessed luminaire of FIG. 1; and,
FIG. 8 is a second perspective view of the recessed luminaire of FIG. 1 shown mounted in a recessed luminaire holder.
The components shown in broken lines in the drawings form part of the environment and do not form a part of the claimed design.

1 Claim, 8 Drawing Sheets



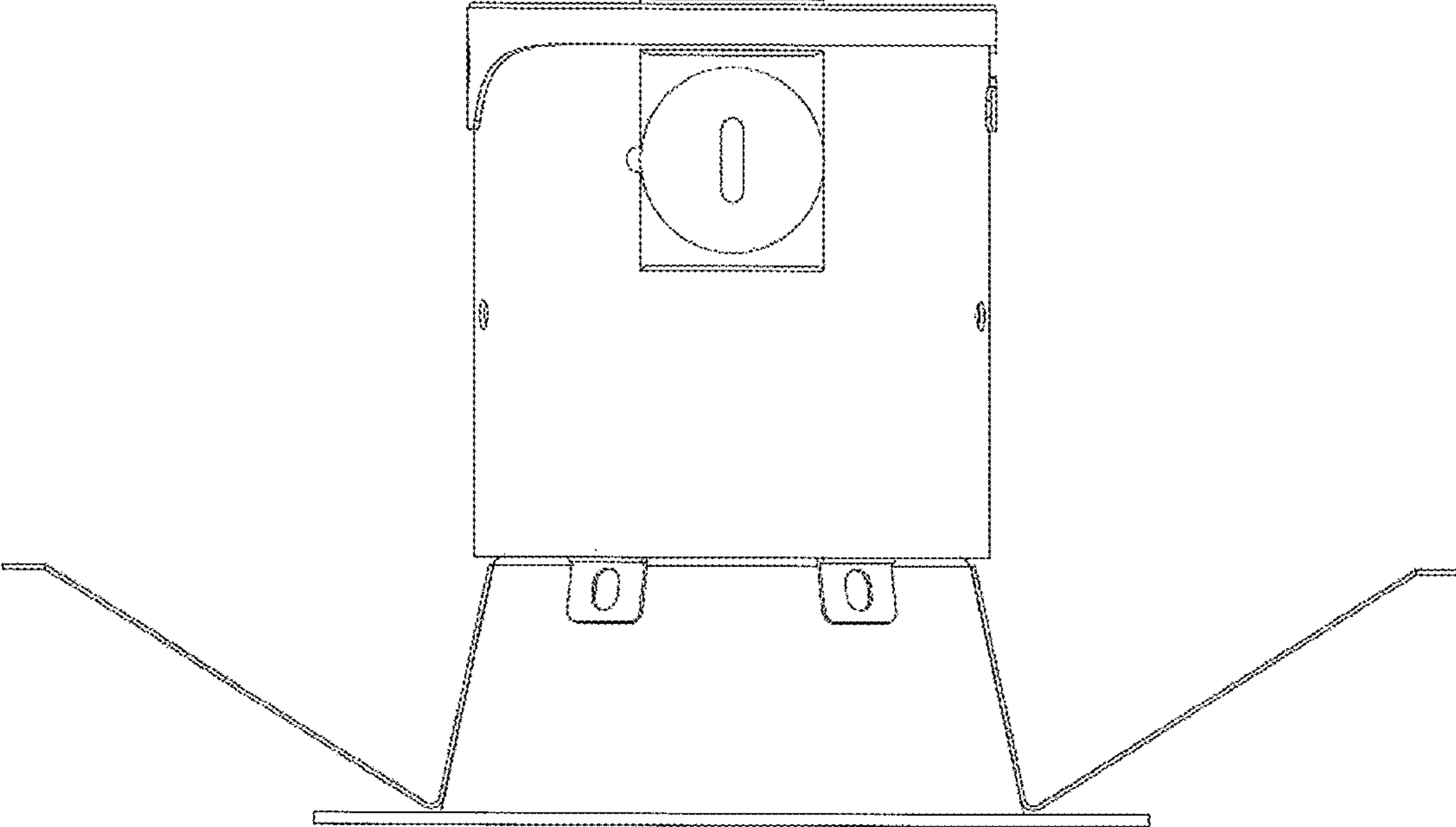


FIG. 1

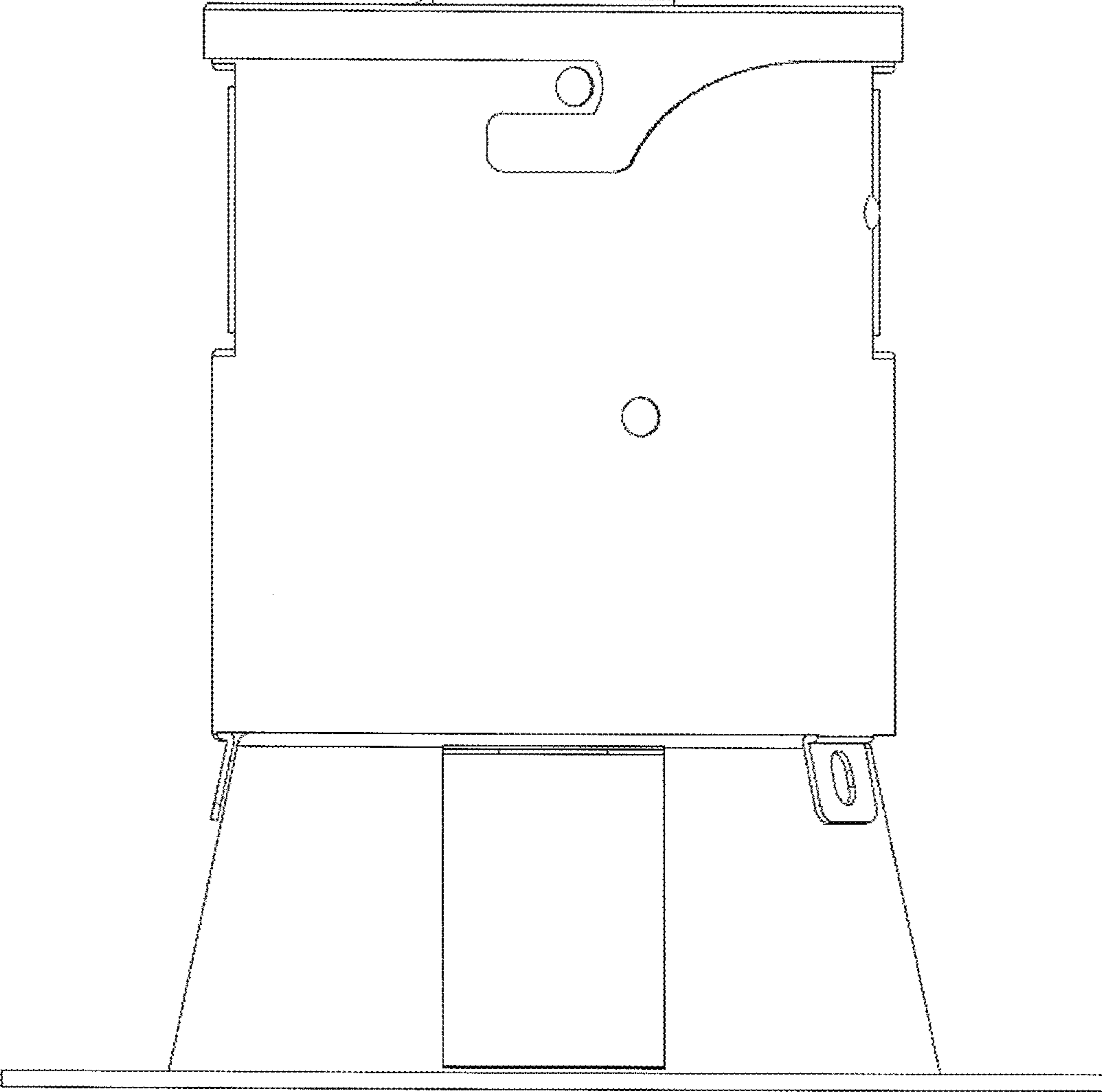


FIG. 2

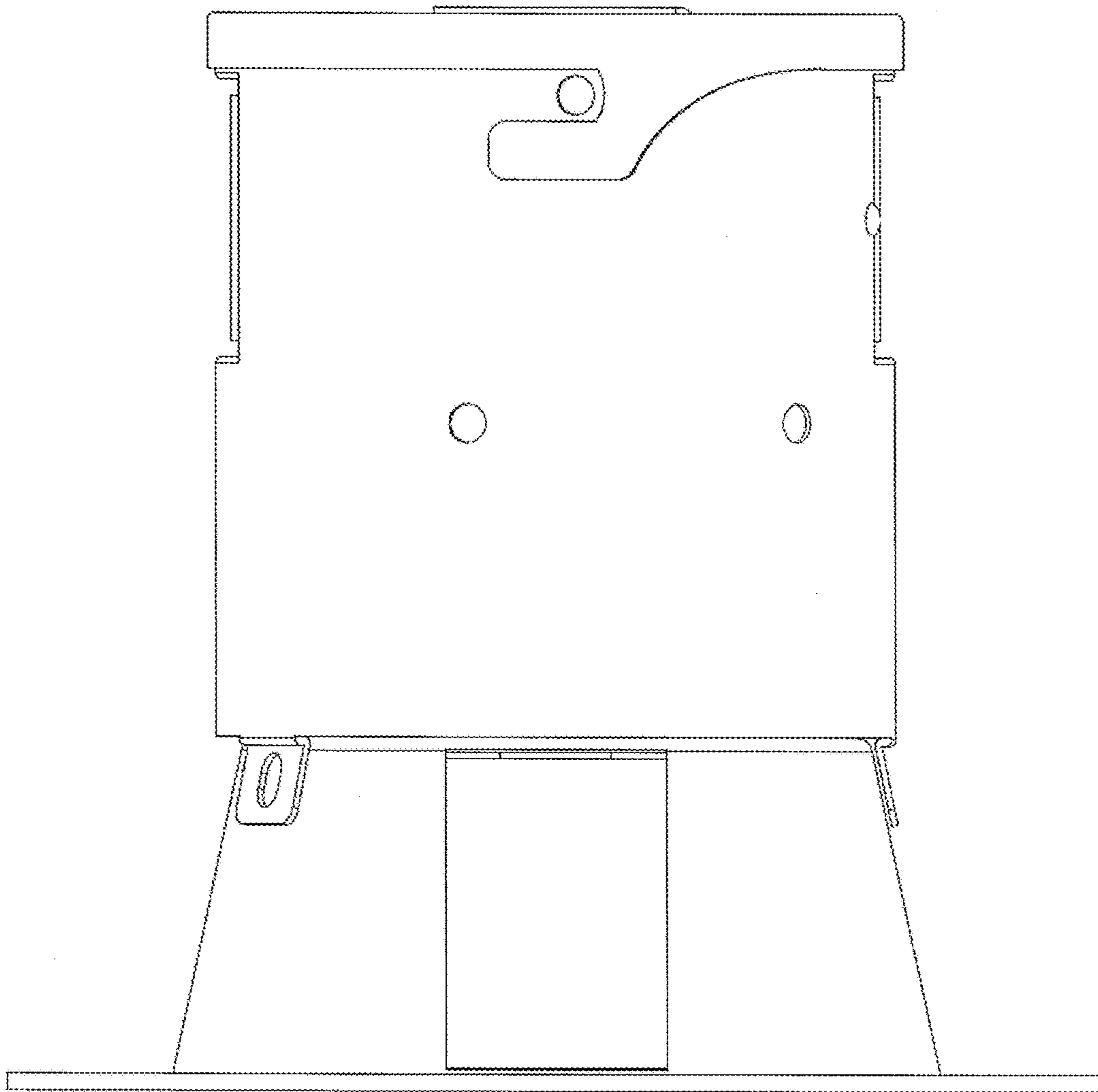


FIG. 3

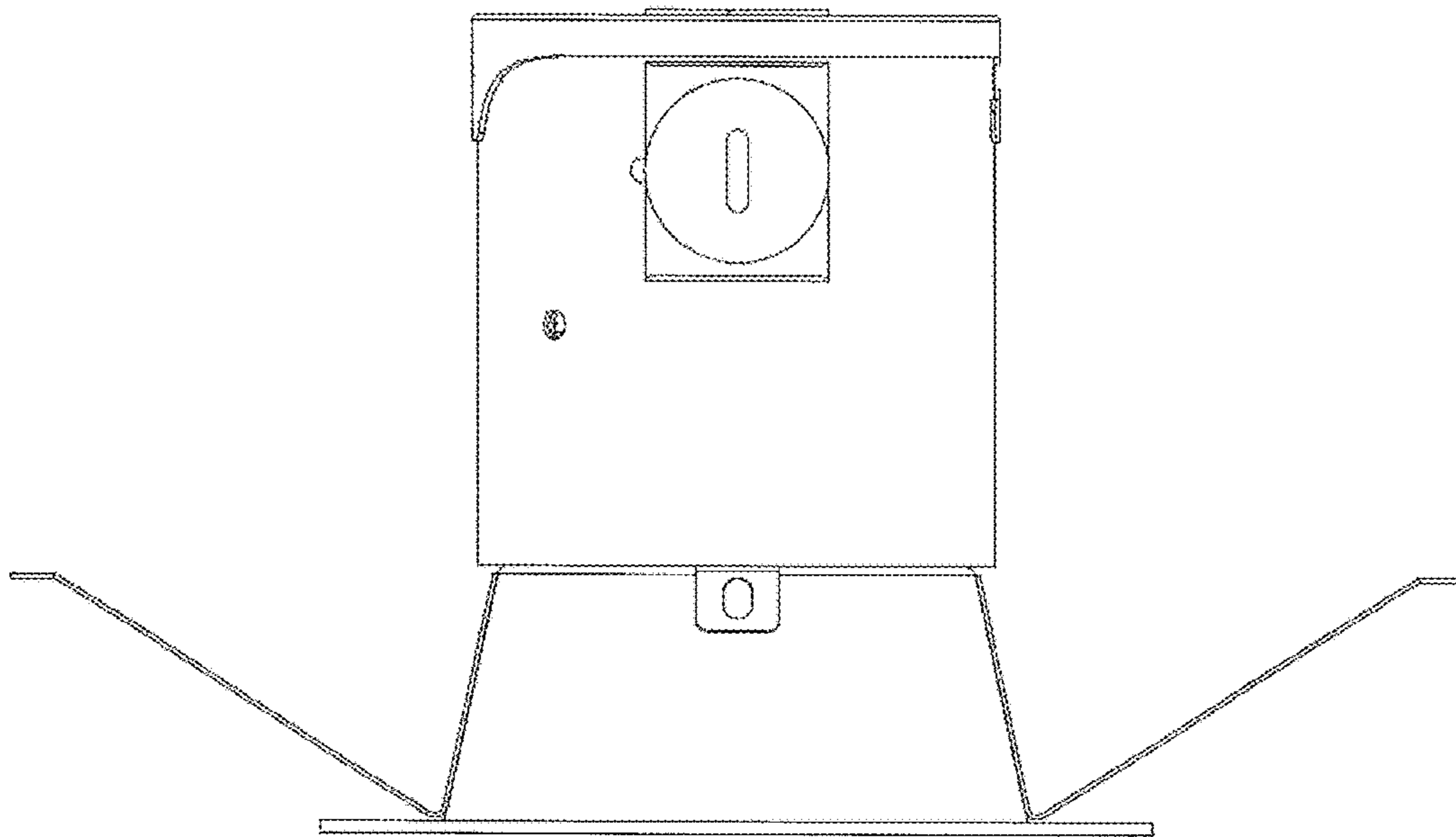


FIG. 4

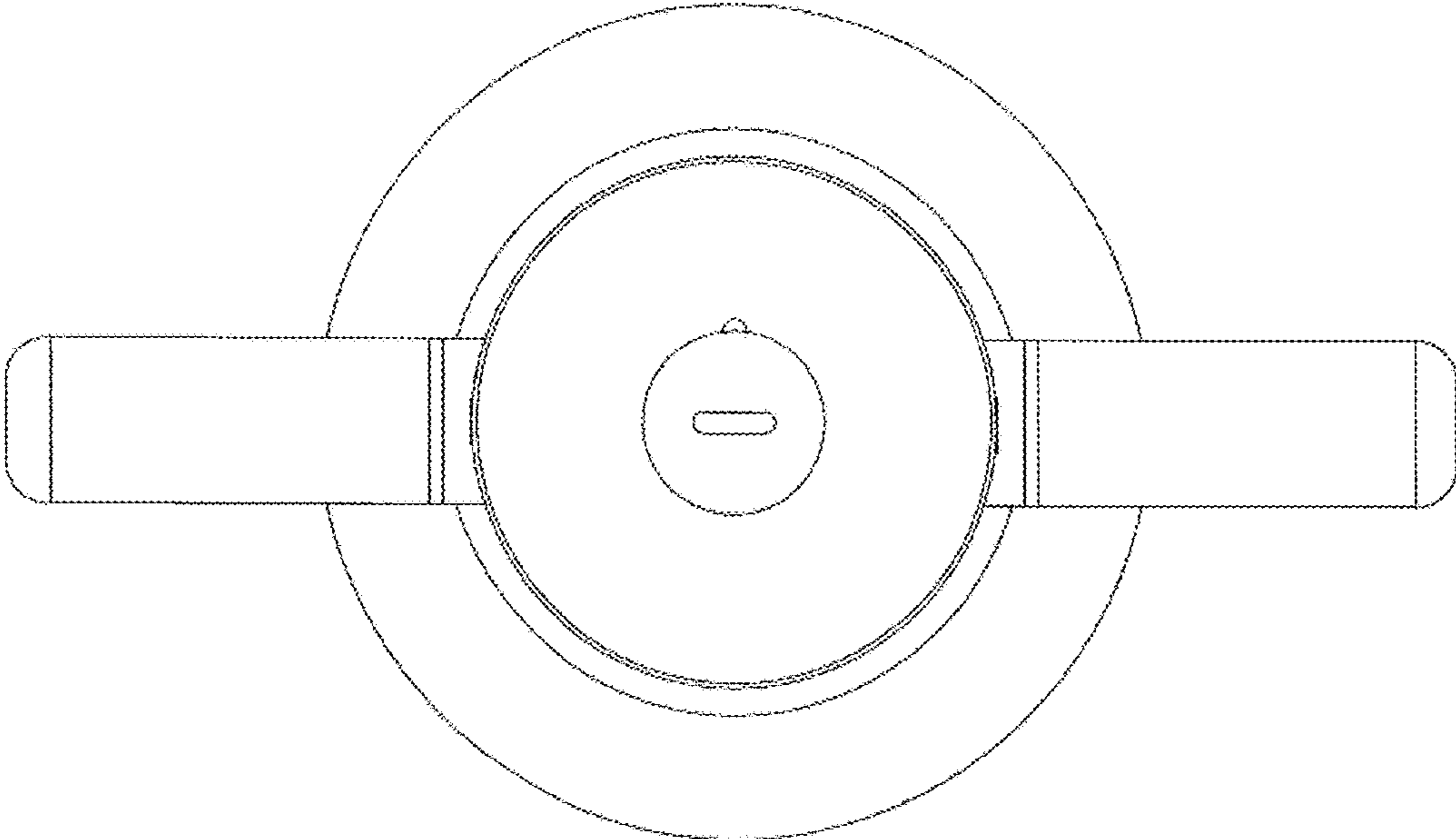


FIG. 5

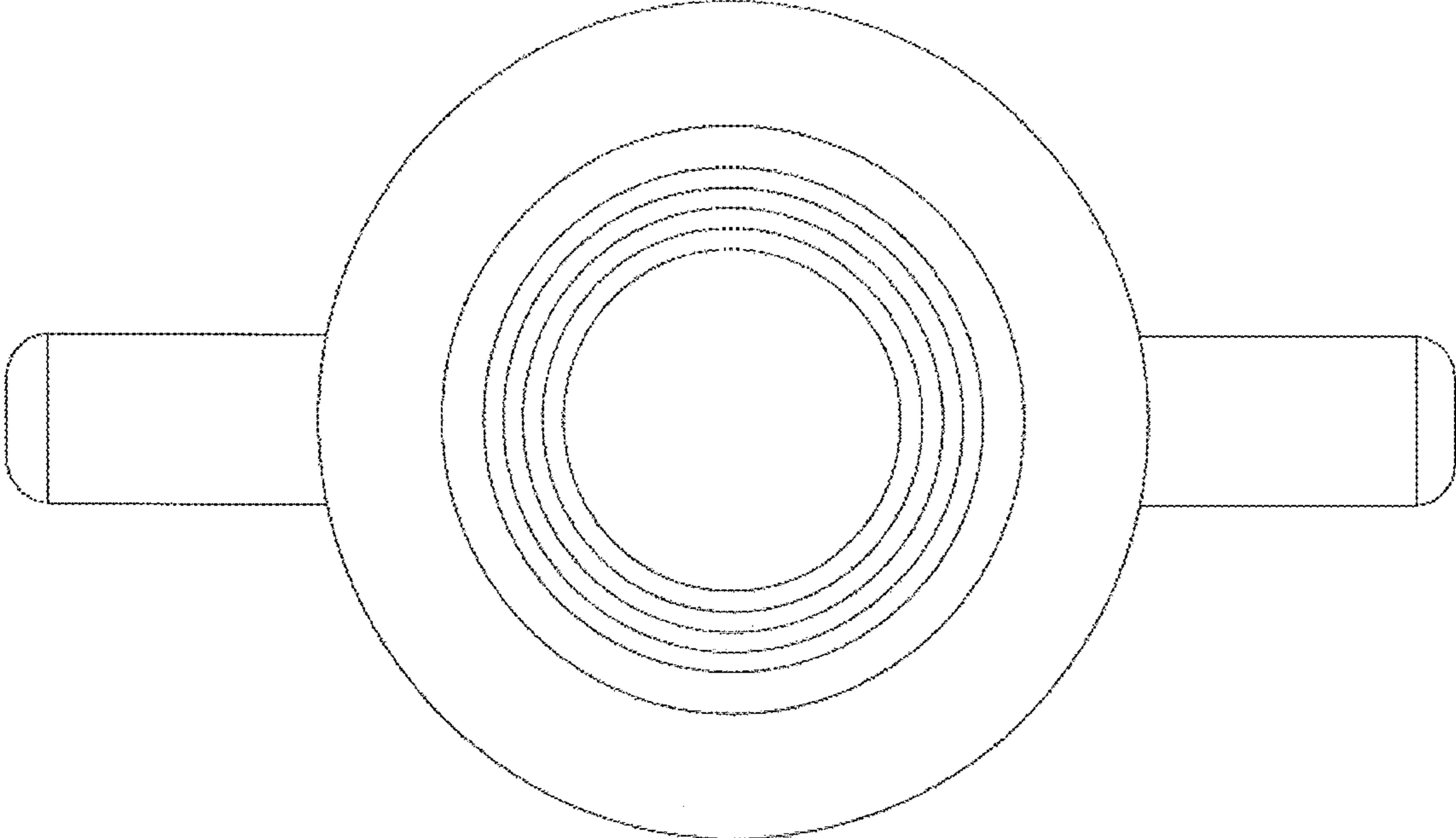


FIG. 6

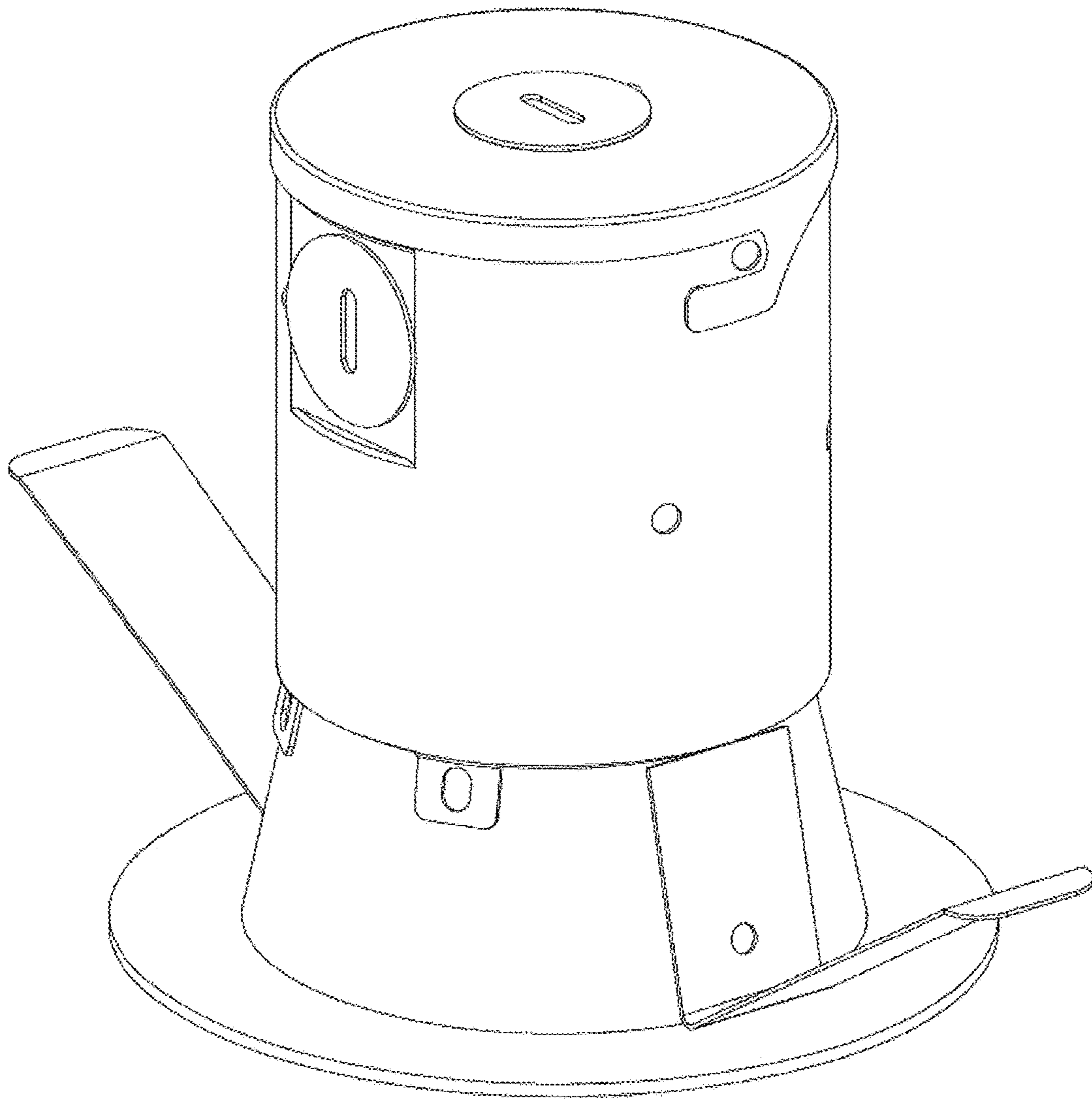


FIG. 7

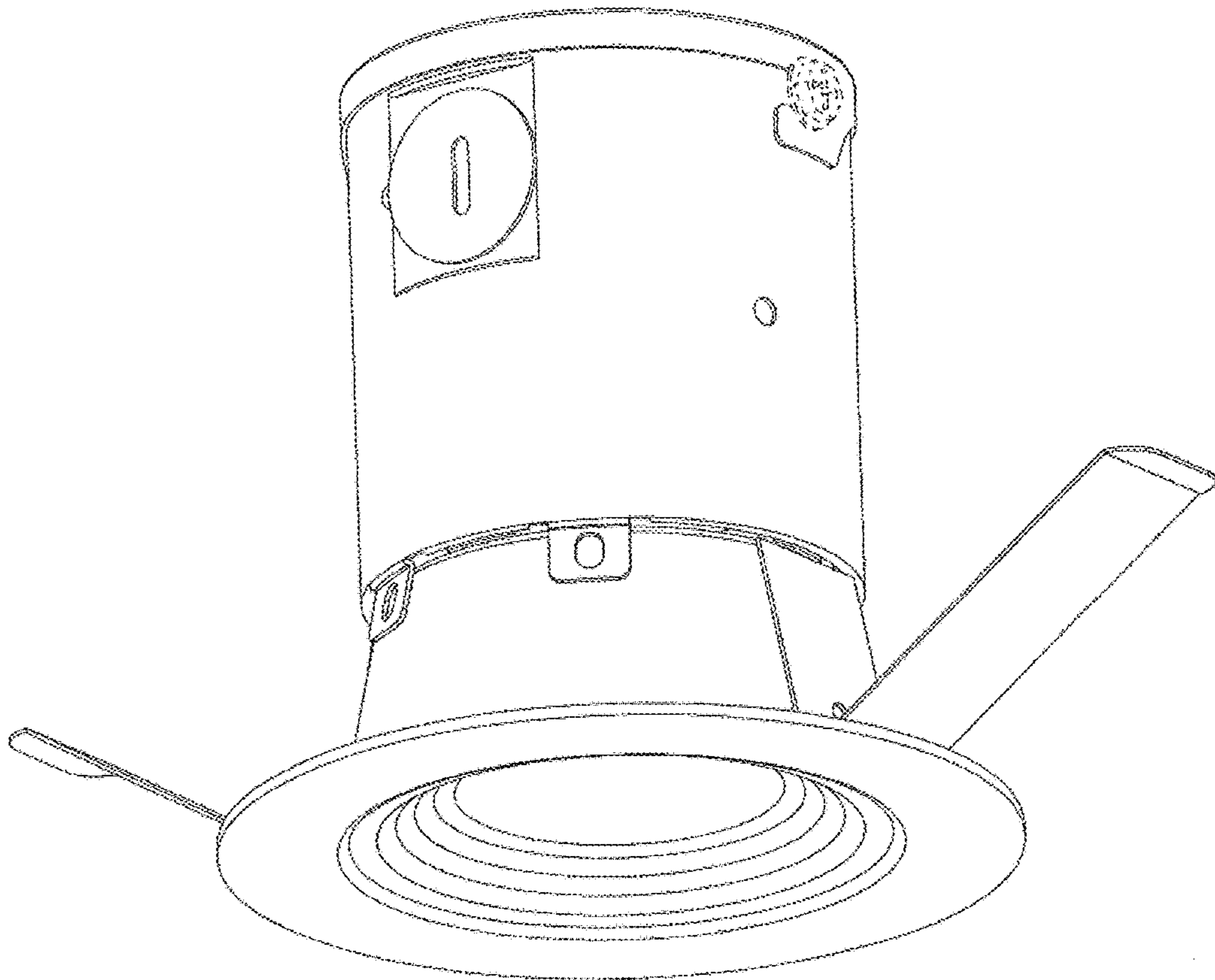


FIG. 8