



US00D779699S

(12) **United States Design Patent** (10) **Patent No.:** **US D779,699 S**
Bernard et al. (45) **Date of Patent:** **** Feb. 21, 2017**

(54) **EDGE LIT RECESSED LINEAR FIXTURE IN CEILING**

7,768,192 B2 8/2010 Van de Ven et al.
D670,849 S * 11/2012 Lay D26/74
D672,079 S * 12/2012 Kong D26/74

(Continued)

(71) Applicant: **CREE, INC.**, Durham, NC (US)

(72) Inventors: **Randy Bernard**, Cary, NC (US);
Nathan Snell, Raleigh, NC (US);
James Michael Lay, Apex, NC (US);
S. Scott Pratt, Cary, NC (US)

FOREIGN PATENT DOCUMENTS

DE 102012006887 10/2012
EP 2650599 10/2013

(73) Assignee: **CREE, INC.**, Durham, NC (US)

OTHER PUBLICATIONS

International Search Report and Written Opinion from European Patent Appl. No. PCT/US2015/057649, dated Dec. 17, 2015.

(Continued)

(**) Term: **14 Years**

Primary Examiner — Angela J Lee

(21) Appl. No.: **29/517,631**

(74) *Attorney, Agent, or Firm* — Koppel, Patrick, Heybl & Philpott

(22) Filed: **Feb. 13, 2015**

(51) **LOC (10) Cl.** **26-05**

(52) **U.S. Cl.**
USPC **D26/74**

(57) **CLAIM**

(58) **Field of Classification Search**
USPC D26/74, 72, 75, 76, 77, 78, 85, 88, 89,
D26/118, 138, 141; 362/364, 365, 373,
362/145, 146, 147, 148, 150, 153, 153.1,
362/294, 296.01, 296.07, 296.08
CPC F21V 29/2262; F21V 7/06; F21V 21/044;
F21V 21/047; F21V 29/2212; F21V
29/2225; F21V 29/2256; F21V 29/225;
F21V 29/2268; F21Y 2111/002; F21S
8/02; F21S 8/026

The ornamental design for edge lit recessed linear fixture in ceiling, as shown and described.

DESCRIPTION

See application file for complete search history.

FIG. 1 is a bottom, front, right side perspective view of an edge lit recessed linear fixture in ceiling according to a first embodiment of the present invention;
FIG. 2 is a bottom, left side, front perspective view thereof;
FIG. 3 is a bottom plan view thereof;
FIG. 4 is a bottom, front, right side perspective view of an edge lit recessed linear fixture in ceiling according to a second embodiment of the present invention;
FIG. 5 is a bottom, left side, front perspective view thereof;
and,
FIG. 6 is a bottom plan view thereof.

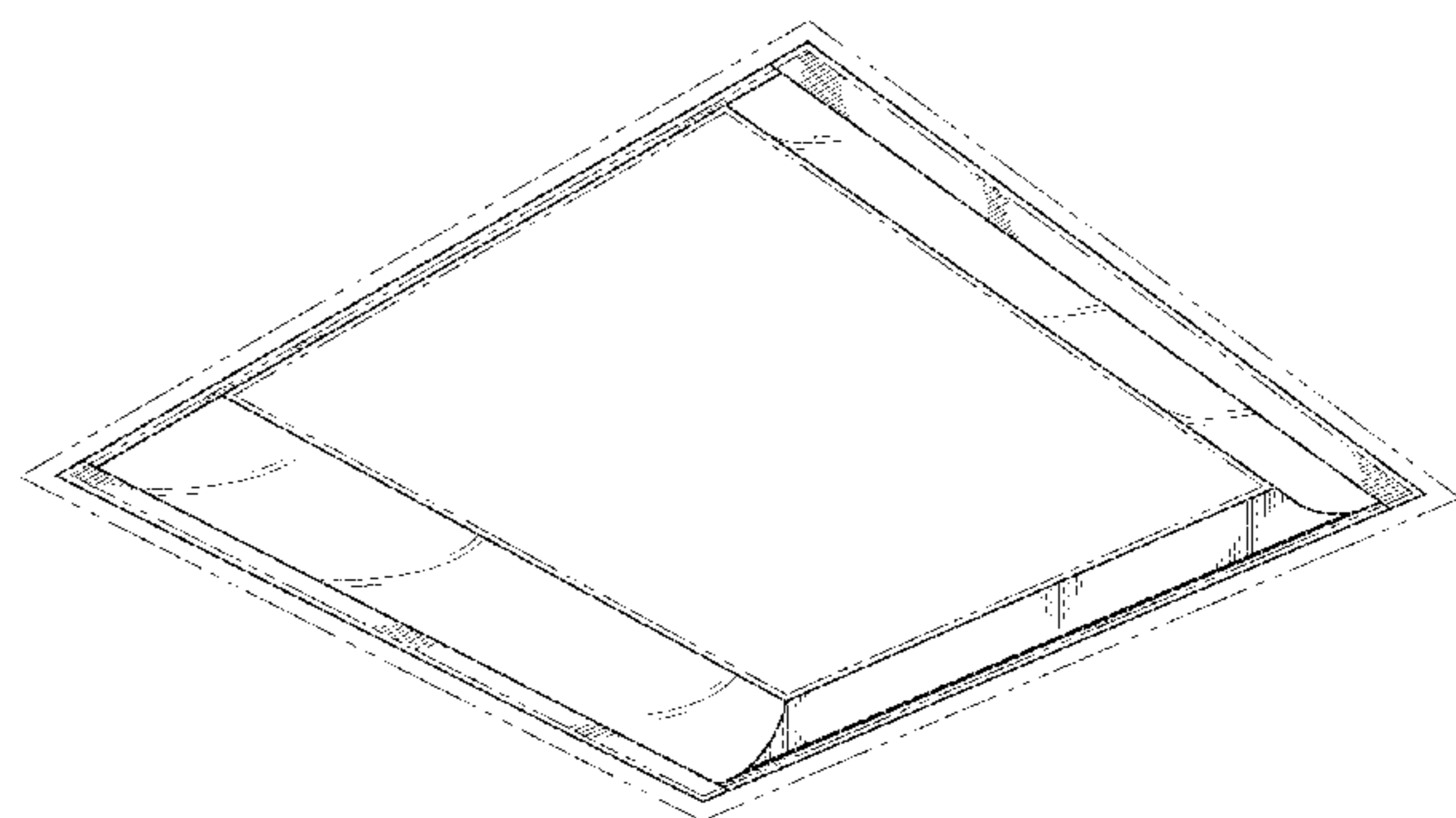
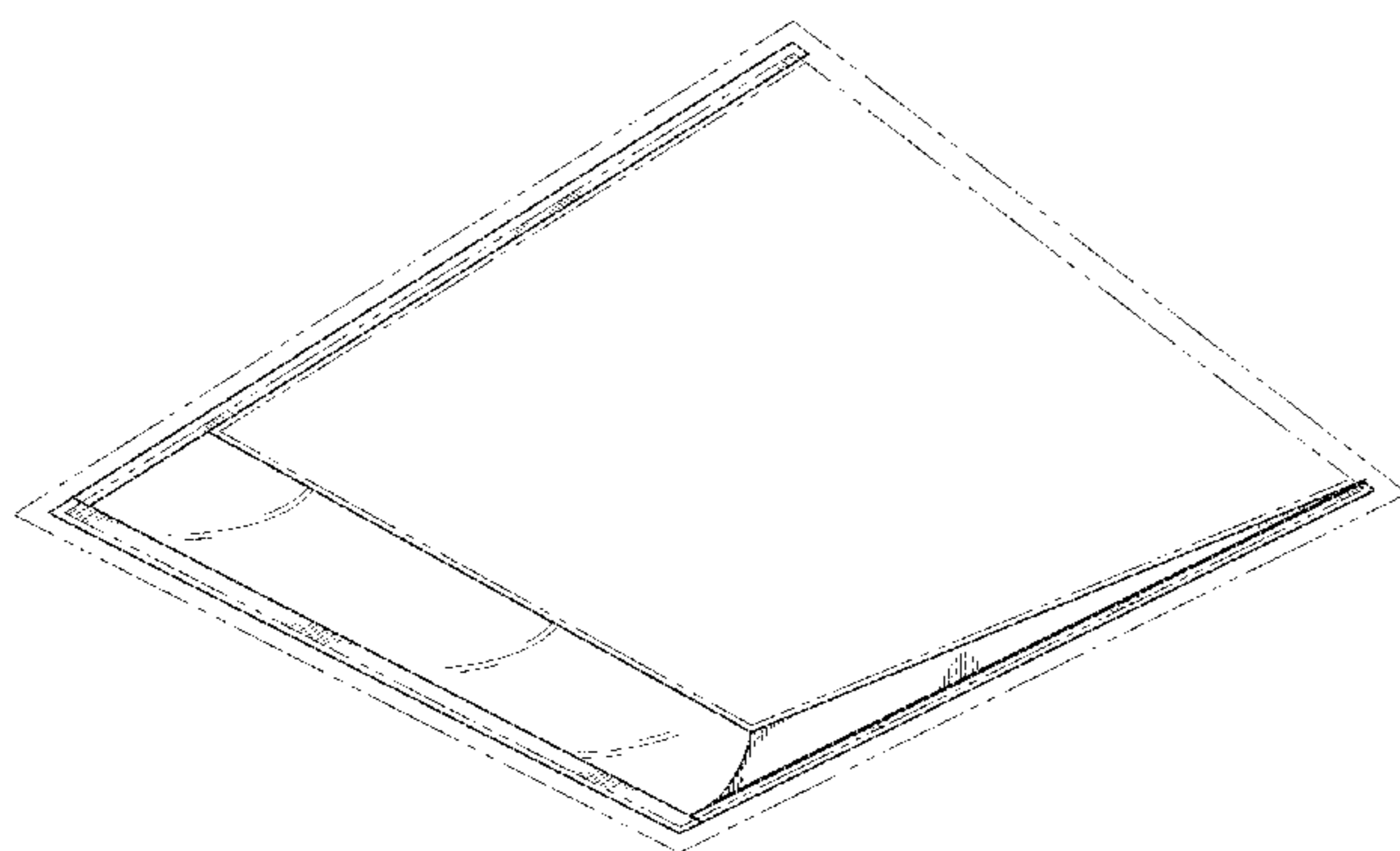
Broken lines in the figures indicate environmental structure and/or boundaries and form no part of the claimed design. Portions of the fixtures not shown in the figures form no part of the claimed design.

(56) **References Cited**

U.S. PATENT DOCUMENTS

5,823,663 A 10/1998 Bell et al.
D407,473 S * 3/1999 Wimbock D23/328
6,210,025 B1 4/2001 Schmidt et al.
D496,121 S * 9/2004 Santoro D26/74
7,213,940 B1 5/2007 Van de Ven et al.
D595,006 S * 6/2009 Santoro D26/120
D608,490 S * 1/2010 Chung D26/118

1 Claim, 6 Drawing Sheets



(56)

References Cited

U.S. PATENT DOCUMENTS

D673,711 S * 1/2013 Pickard D26/74
D679,848 S * 4/2013 Pickard D26/74
D680,254 S * 4/2013 Mayfield, III D26/74
D699,386 S * 2/2014 Park D26/118
D706,481 S * 6/2014 Holland D26/78
D739,977 S * 9/2015 Boyer D26/74
D744,689 S * 12/2015 Maxik D26/74
2013/0294053 A1 11/2013 Marquardt et al.
2013/0335962 A1 12/2013 Wu et al.
2014/0167065 A1 6/2014 Bergmann et al.
2014/0268721 A1 9/2014 Durkee et al.

OTHER PUBLICATIONS

U.S. Appl. No. 12/873,303, filed Aug. 31, 2010, Edmond, et al.
U.S. Appl. No. 13/464,745, filed May 4, 2012, Pratt, et al.
U.S. Appl. No. 13/442,311, filed Apr. 9, 2012, Lu, et al.
U.S. Appl. No. 13/168,689, filed Jun. 24, 2011, Bergmann, et al.
U.S. Appl. No. 14/526,368, filed Oct. 28, 2014, Bernard, et al.
Cree LMR4 LED Module with TrueWhite® Technology, Product Family Data Sheet, CLM-DS01 LMR4 Rev 6A, Copyright 2011-2014 Cree, Inc., 4600 Silicon Dr., Durham, NC 27703, www.cree.com.
Cree XLamp MP-L EasyWhite® LEDs, Product Family Data Sheet, Copyright 2010-2015 Cree, Inc., 4600 Silicon Dr., Durham, NC 27703, www.cree.com.

* cited by examiner

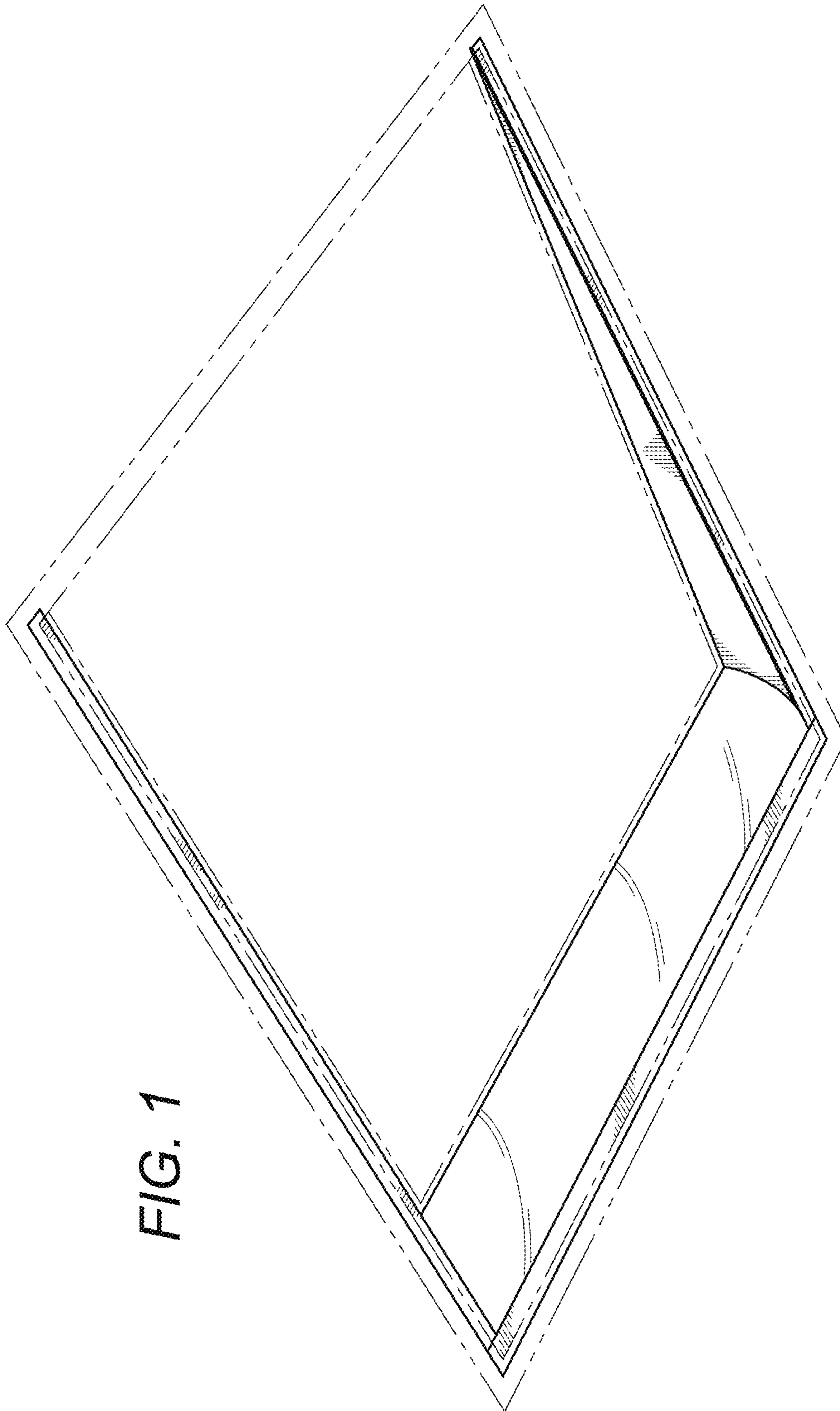


FIG. 1

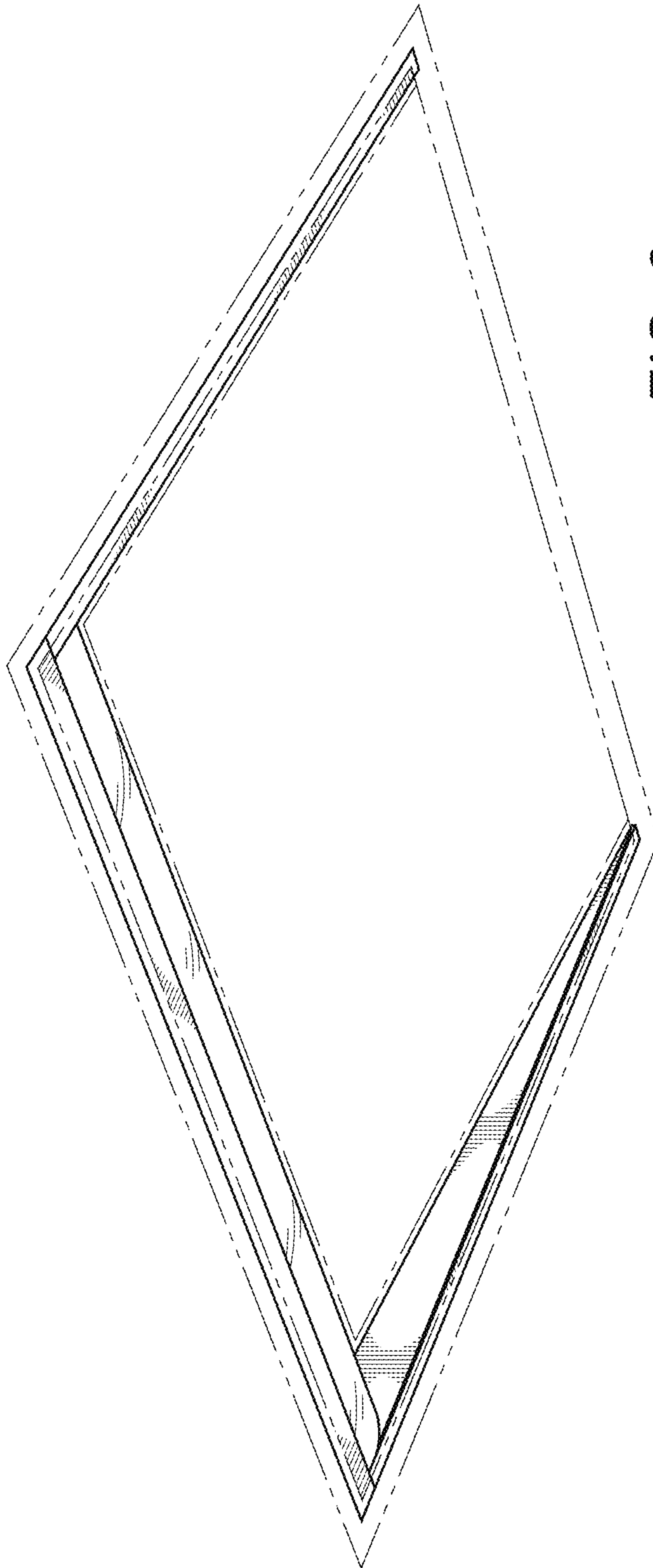


FIG. 2

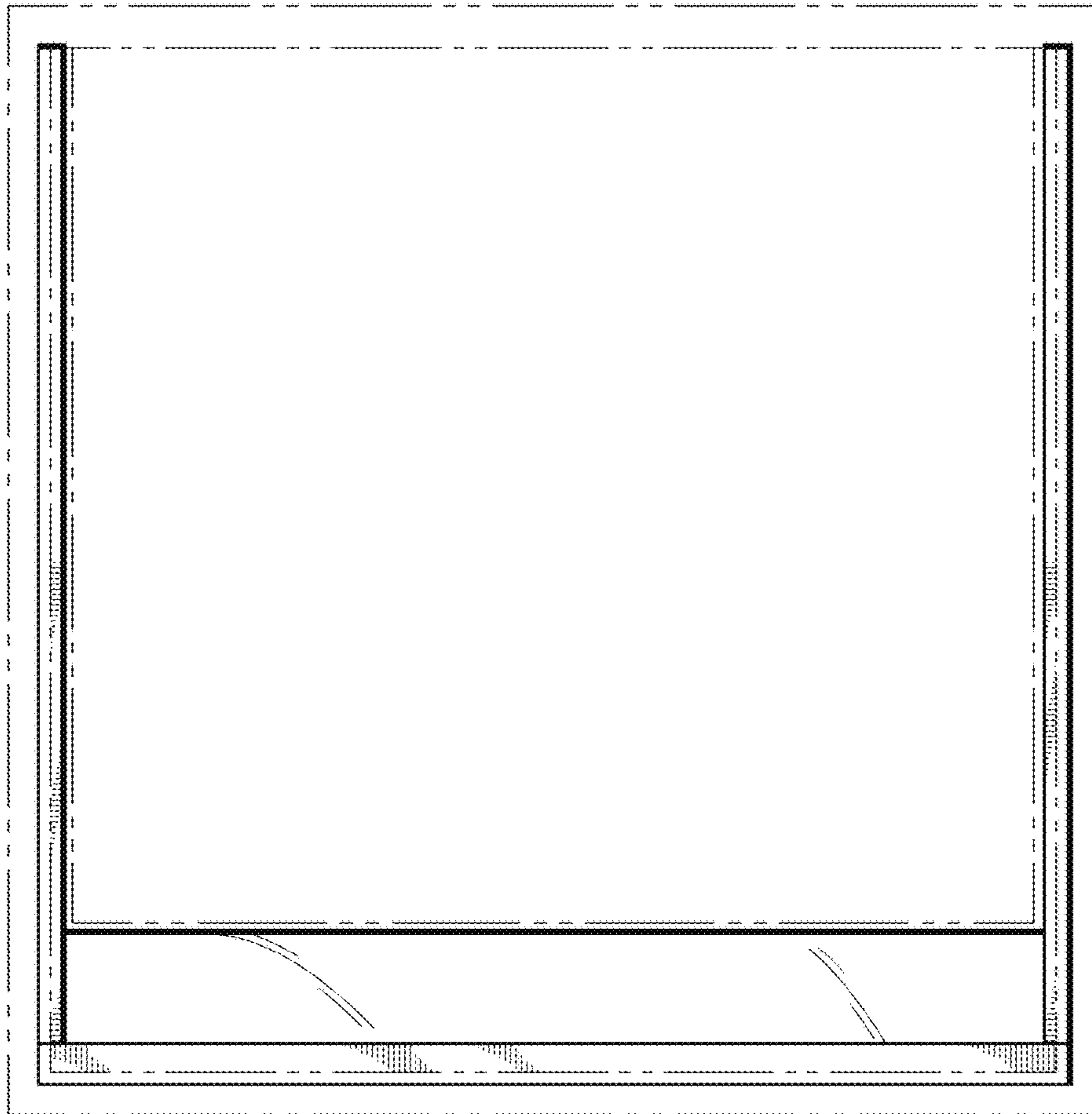


FIG. 3

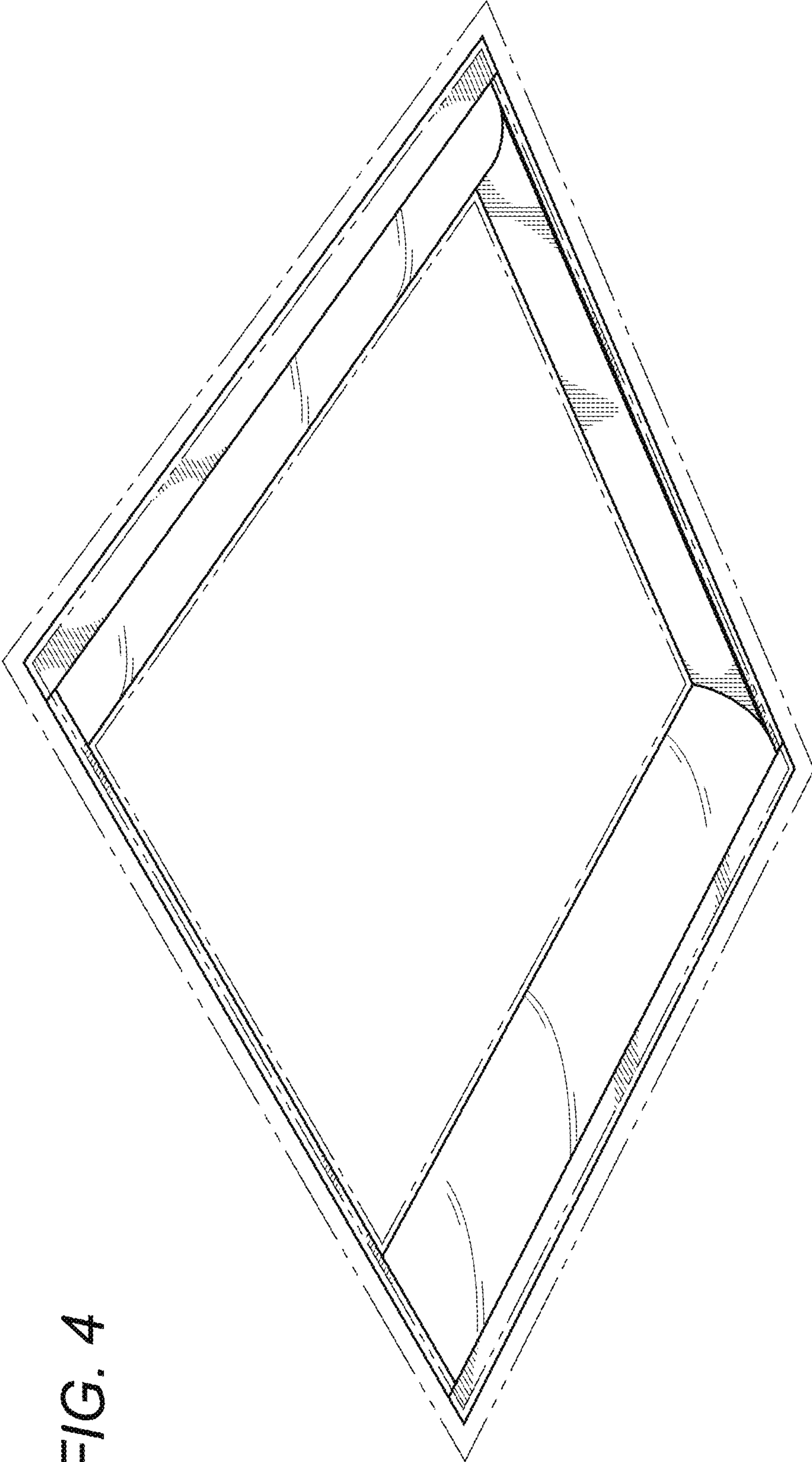


FIG. 4

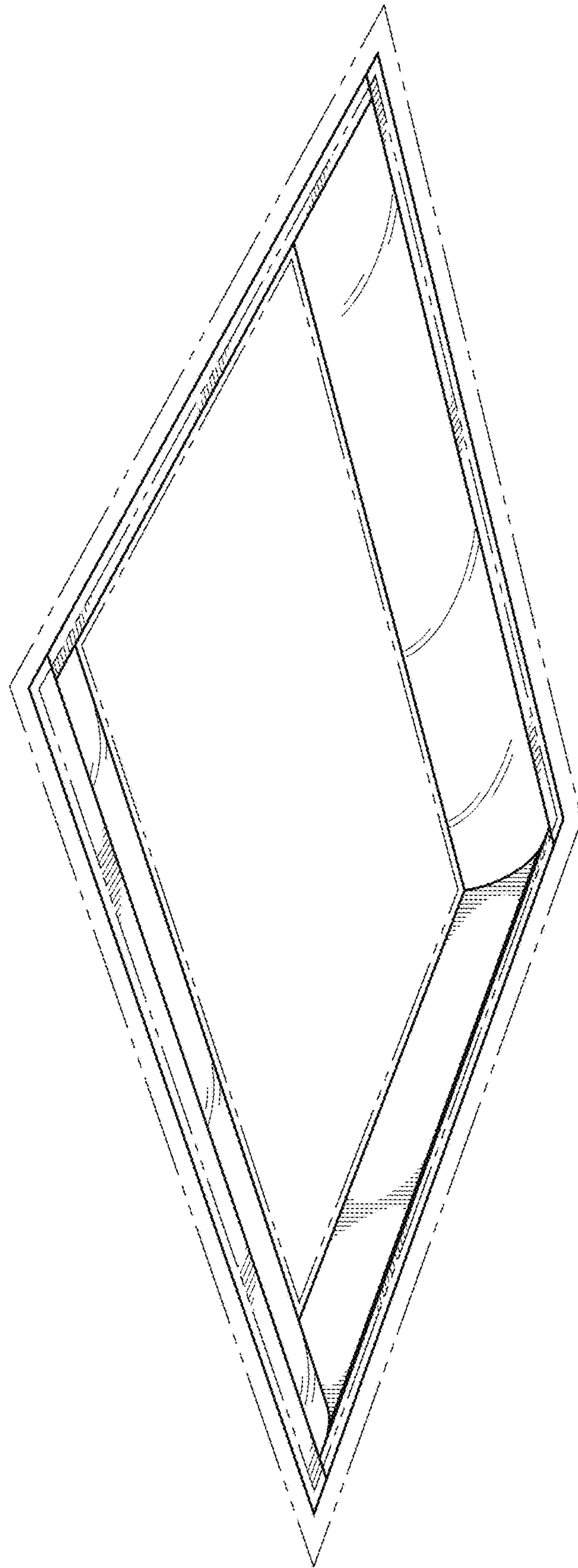


FIG. 5

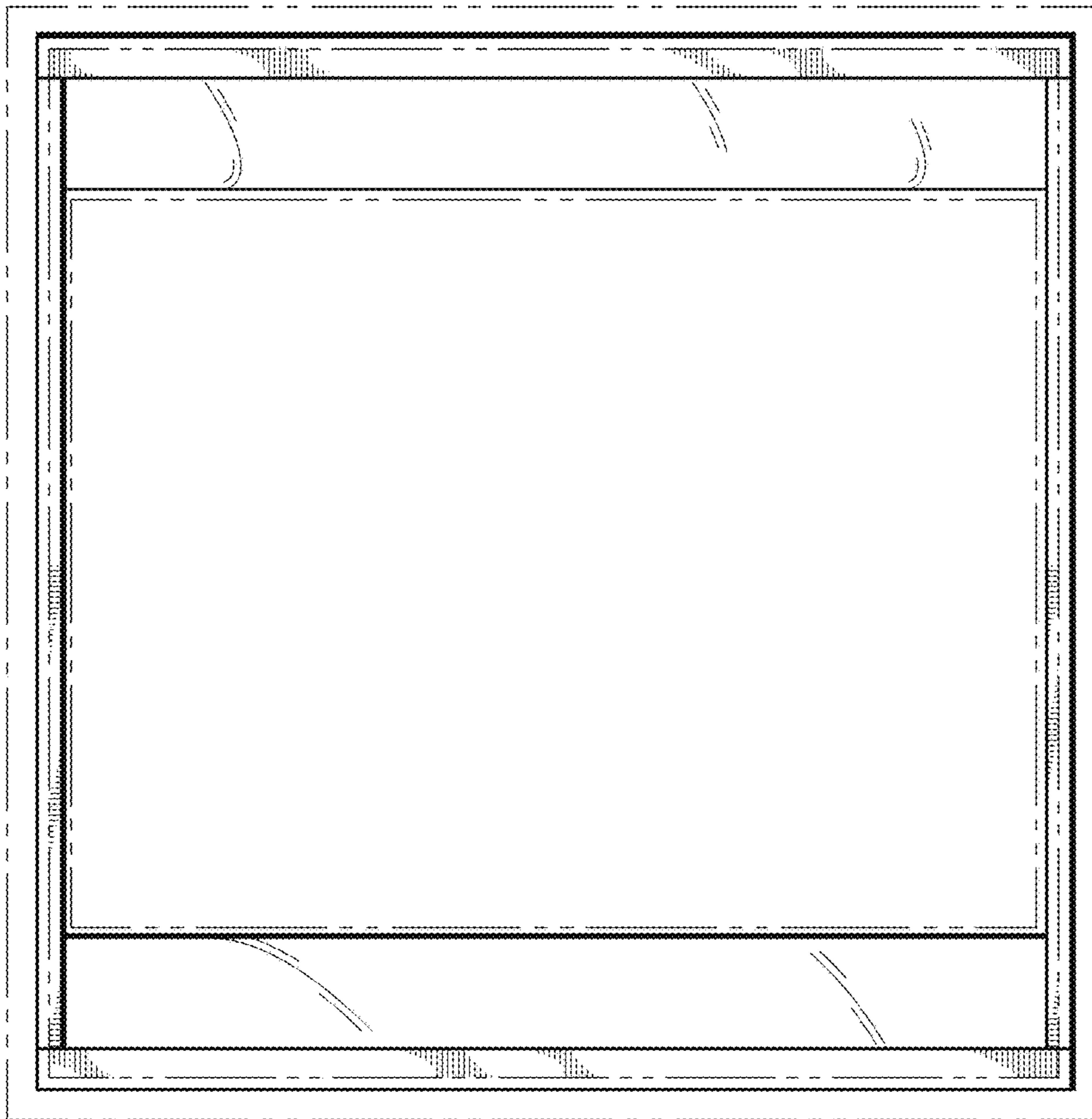


FIG. 6