



US00D779697S

(12) **United States Design Patent** (10) **Patent No.:** **US D779,697 S**
Fletcher et al. (45) **Date of Patent:** **** Feb. 21, 2017**

- (54) **LED LUMINAIRE HAVING A MOUNTING SYSTEM**
- (71) Applicant: **EcoSense Lighting Inc.**, Los Angeles, CA (US)
- (72) Inventors: **Robert Fletcher**, Pasadena, CA (US); **Edward R Adams**, Englewood, TN (US)
- (73) Assignee: **ECOSENSE LIGHTING INC.**, Los Angeles, CA (US)

4,473,873 A 9/1984 Quiogue
 4,609,979 A 9/1986 Kristofek
 D296,244 S 6/1988 Donato
 D296,717 S 7/1988 Kane
 D300,876 S 4/1989 Sakai
 4,833,579 A 5/1989 Skegin
 4,882,667 A 11/1989 Skegin
 D307,640 S 5/1990 Titmarsh
 D315,030 S 2/1991 Jacobs
 D316,303 S 4/1991 Layne
 (Continued)

(**) Term: **15 Years**

(21) Appl. No.: **29/533,666**

(22) Filed: **Jul. 20, 2015**

(51) **LOC (10) Cl.** **26-03**

(52) **U.S. Cl.**
USPC **D26/65**

(58) **Field of Classification Search**
USPC D26/1, 24, 61, 63, 65, 85, 92
CPC F21V 21/14; F21V 15/01; F21V 14/02;
F21V 21/30; F21V 21/00; F21V 14/00; F21S 8/00; F21S 8/003; F21S 8/043; F21Y 2105/001
See application file for complete search history.

(56) **References Cited**

U.S. PATENT DOCUMENTS

D122,711 S 9/1940 May
 D205,082 S 6/1966 Morgan
 D214,582 S * 7/1969 Routh D26/63
 D231,559 S 4/1974 Darling
 D234,712 S 4/1975 Kennedy
 D258,314 S 2/1981 Leon
 4,258,413 A 3/1981 Mausser
 4,467,403 A 8/1984 May

OTHER PUBLICATIONS

Fletcher et al., U.S. Appl. No. 14/816,827, filed Aug. 3, 2015, entitled "Lighting System Having a Mounting Device," 126pp.
(Continued)

Primary Examiner — Brian N Vinson

(74) *Attorney, Agent, or Firm* — Jay M. Brown

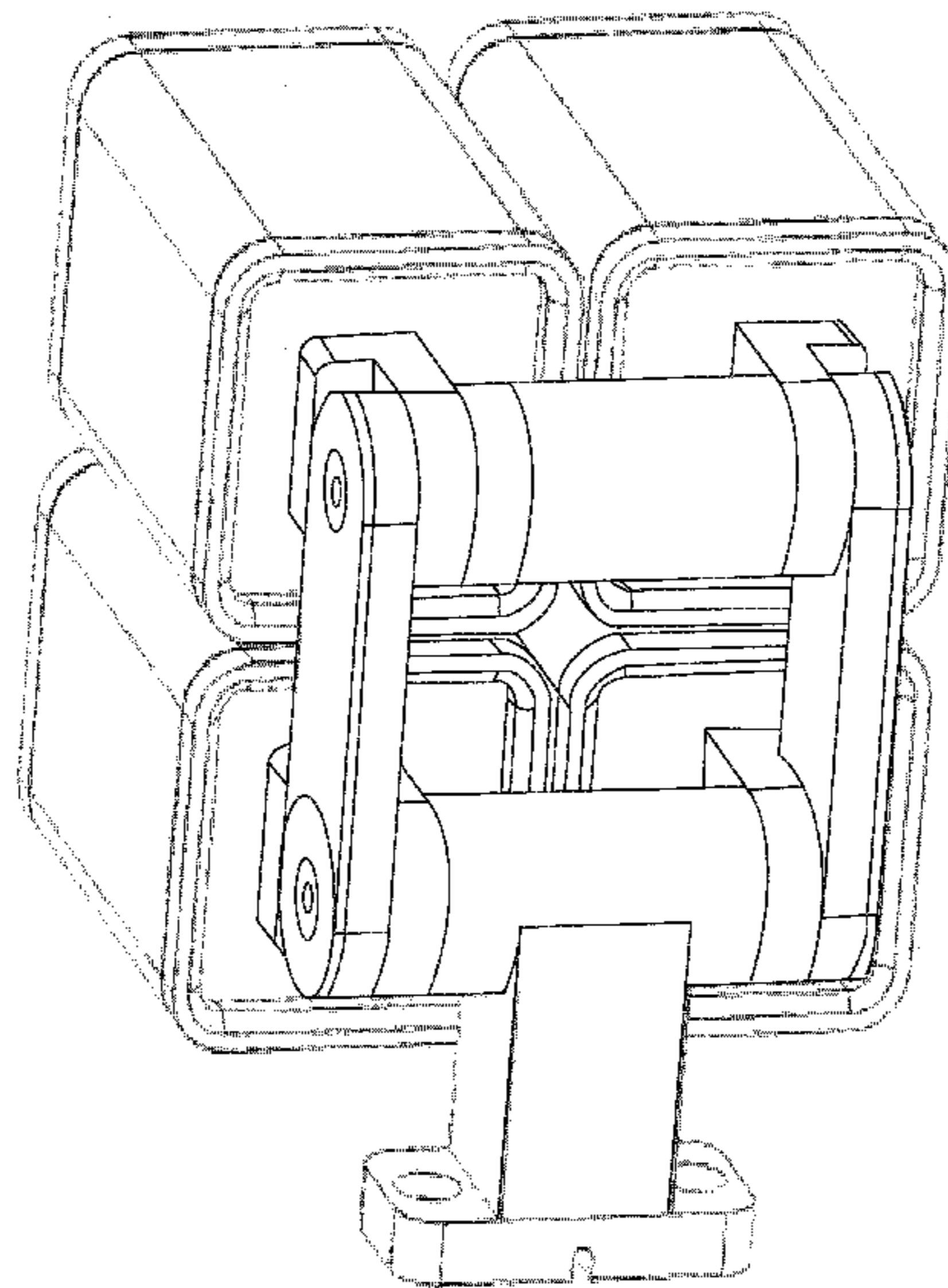
(57) **CLAIM**

The ornamental design for a LED luminaire having a mounting system, as shown and described.

DESCRIPTION

FIG. 1 is a front elevational view of the LED luminaire having a mounting system, of the present invention, wherein the elements that are shown in broken lines are disclaimed; FIG. 2 is a back elevational view thereof; FIG. 3 is a top, back, left perspective view thereof; FIG. 4 is a top, back, right perspective view thereof; FIG. 5 is a left elevational view thereof; FIG. 6 is a right elevational view thereof; FIG. 7 is a top plan view thereof; and, FIG. 8 is a bottom plan view thereof, wherein the elements that are shown in broken lines are disclaimed.

1 Claim, 8 Drawing Sheets



(56)

References Cited

U.S. PATENT DOCUMENTS

D325,645 S 4/1992 Grange
 D330,944 S 11/1992 Wereley
 D336,536 S 6/1993 Shaanan
 D348,744 S 7/1994 Johnson
 D373,437 S 9/1996 Kira
 5,584,574 A 12/1996 Haddad
 5,599,091 A 2/1997 Kira
 5,713,662 A 2/1998 Kira
 D539,459 S 3/2007 Benghozi
 D551,372 S 9/2007 Korpi
 D552,779 S * 10/2007 Starck D26/63
 D552,782 S 10/2007 Korpi
 D574,987 S 8/2008 Waldmann
 D583,975 S 12/2008 Kushinskaya
 D590,085 S 4/2009 Irvine
 D610,729 S 2/2010 Kushinskaya
 D618,374 S 6/2010 Guercio
 D625,870 S * 10/2010 Feigenbaum D26/63
 8,002,438 B2 8/2011 Ko
 D645,183 S 9/2011 Cucinella
 D645,594 S * 9/2011 Grawe D26/63
 D654,207 S 2/2012 Fletcher
 D655,840 S 3/2012 Heaton
 D655,842 S * 3/2012 Sabernig D26/63
 8,142,047 B2 3/2012 Acampora
 D659,871 S 5/2012 Lee

8,297,792 B1 10/2012 Wang
 8,360,621 B2 1/2013 Avila
 D690,859 S 10/2013 Mollaghaffari
 D694,925 S * 12/2013 Fukasawa D26/63
 D700,728 S * 3/2014 Fukasawa D26/63
 D724,773 S * 3/2015 Ryu D26/63

OTHER PUBLICATIONS

Fletcher et al., U.S. Appl. No. 29/532,383, filed Jul. 06, 2015, entitled "LED Luminaire Having a Mounting System," 10pp.
 Fletcher et al., U.S. Appl. No. 29/533,635, filed Jul. 20, 2015, entitled "LED Luminaire Having a Mounting System," 10pp.
 Fletcher et al., U.S. Appl. No. 29/533,667, filed Jul. 20, 2015, entitled "LED Luminaire Having a Mounting System," 10pp.
 Fletcher et al., U.S. Appl. No. 15/268,781, filed Sep. 19, 2016, entitled "Lighting System Having a Mounting Device," 93pp.
 Fletcher et al., U.S. Appl. No. 29/578,082, filed Sep. 19, 2016, entitled "LED Luminaire Having a Mounting System," 10pp.
 Fletcher et al., U.S. Appl. No. 29/578,086, filed Sep. 19, 2016, entitled "LED Luminaire Having a Mounting System," 10pp.
 Fletcher et al., U.S. Appl. No. 29/578,094, filed Sep. 19, 2016, entitled "LED Luminaire Having a Mounting System," 10pp.
 Fletcher et al., U.S. Appl. No. 29/578,095, filed Sep. 19, 2016, entitled "LED Luminaire Having a Mounting System," 10pp.

* cited by examiner

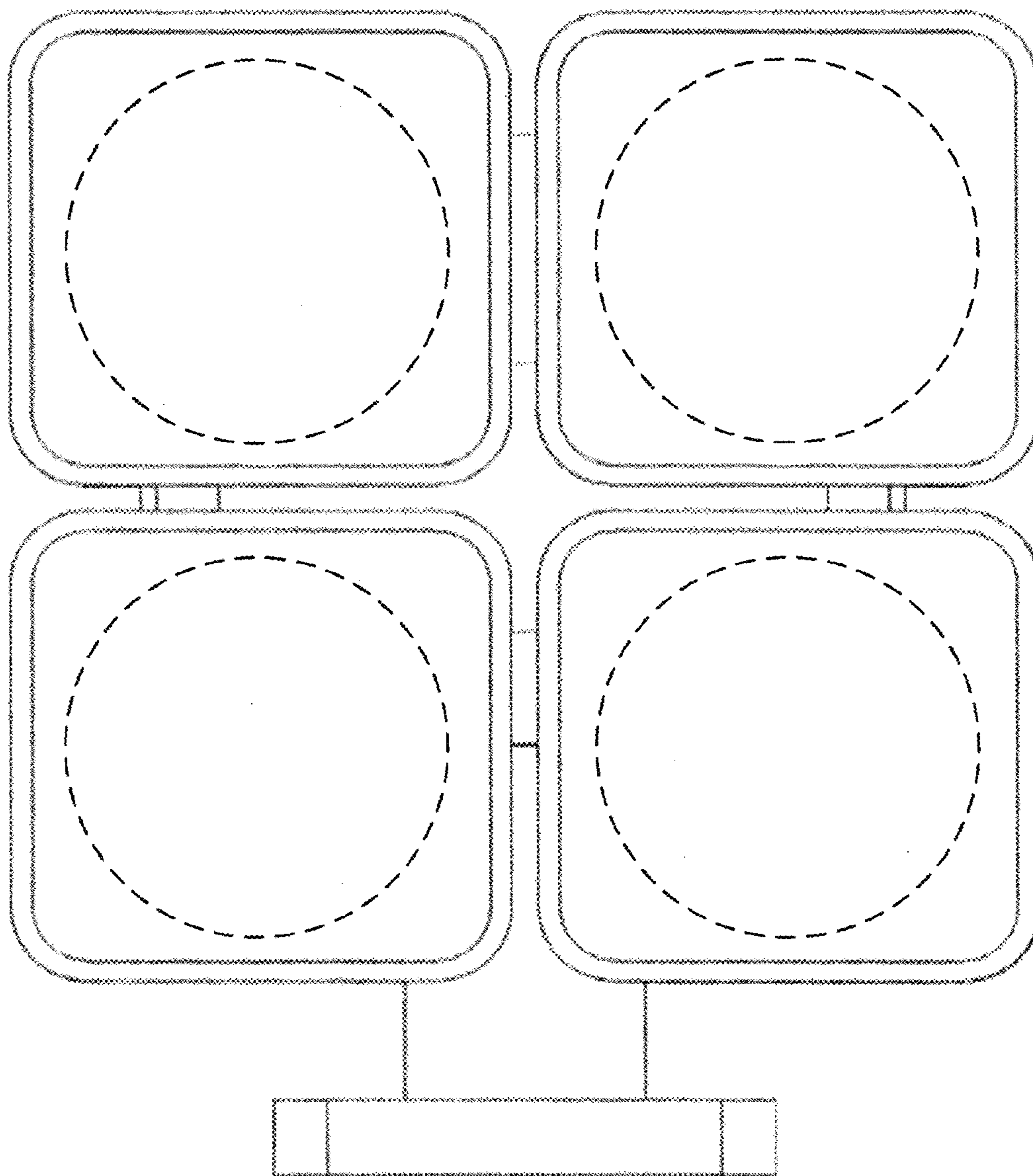


FIG. 1

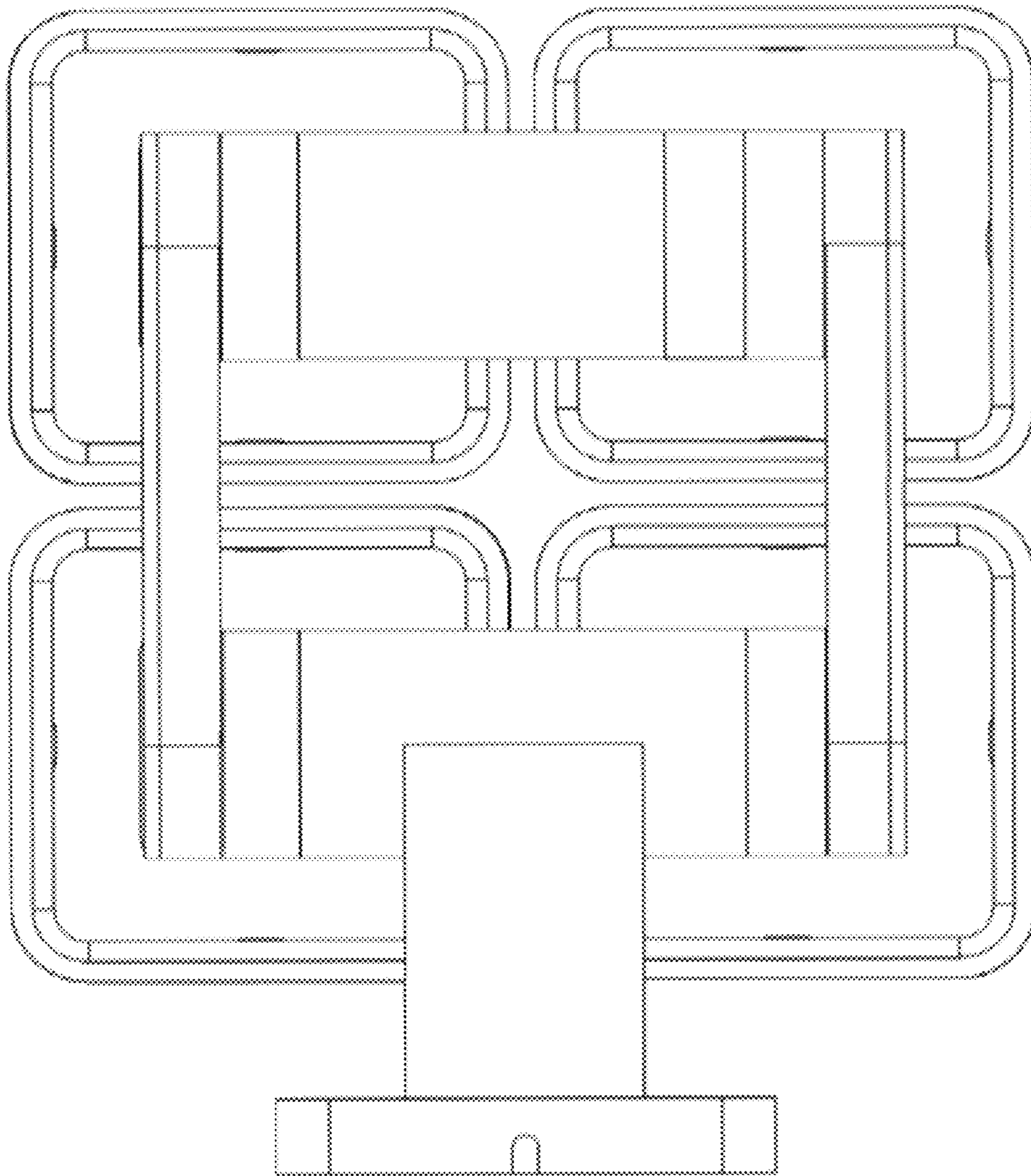


FIG. 2

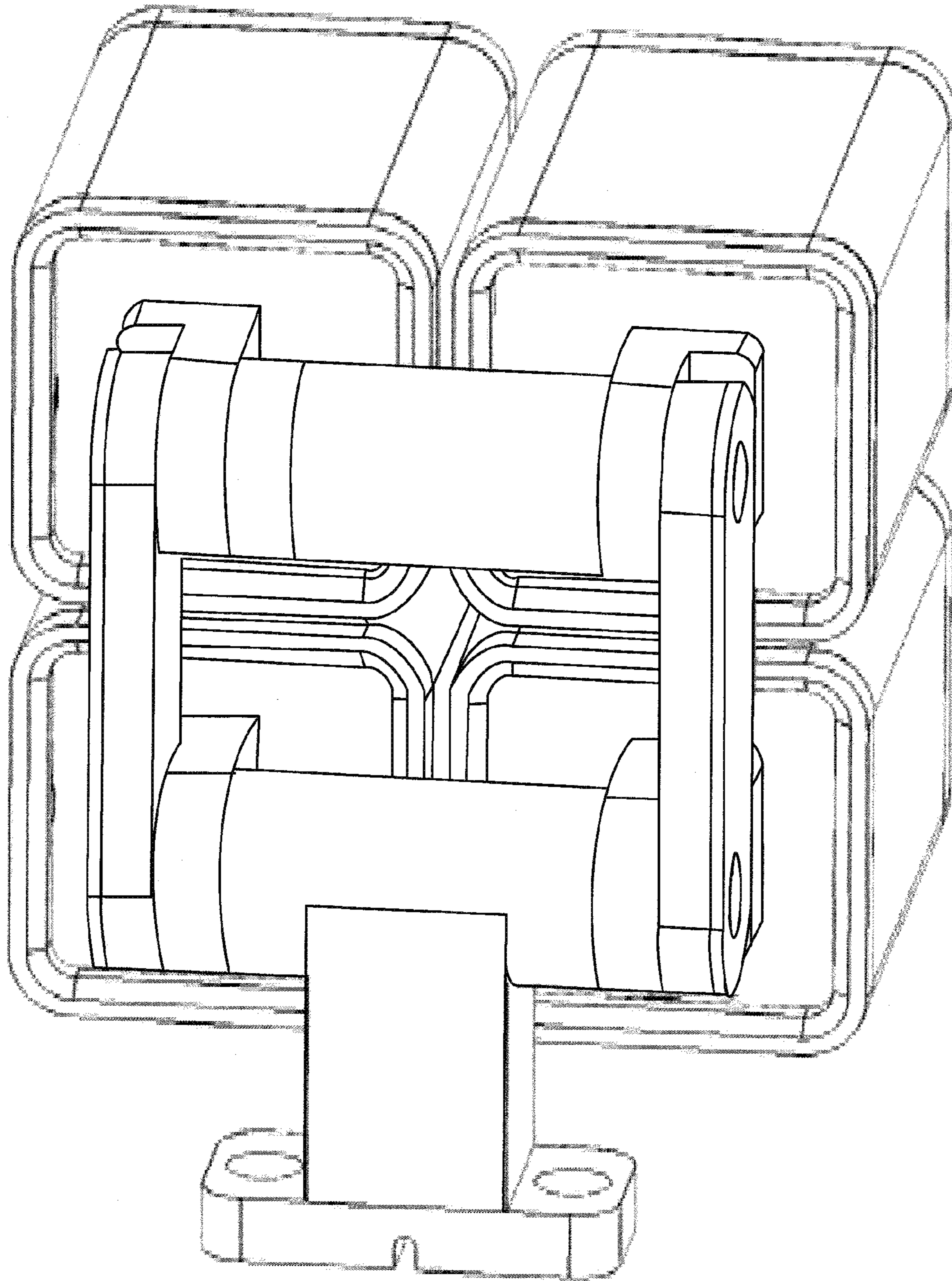


FIG. 3

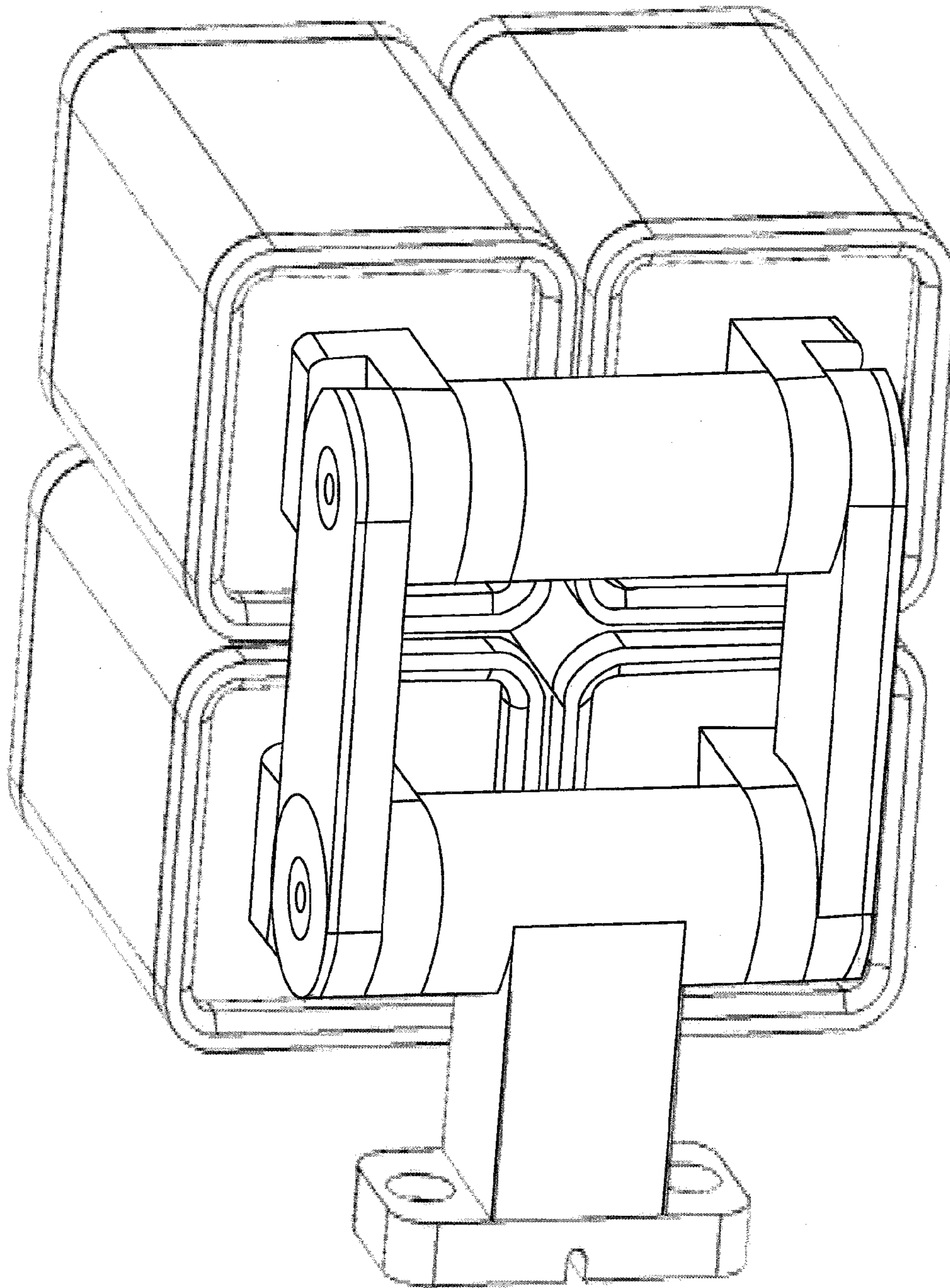


FIG. 4

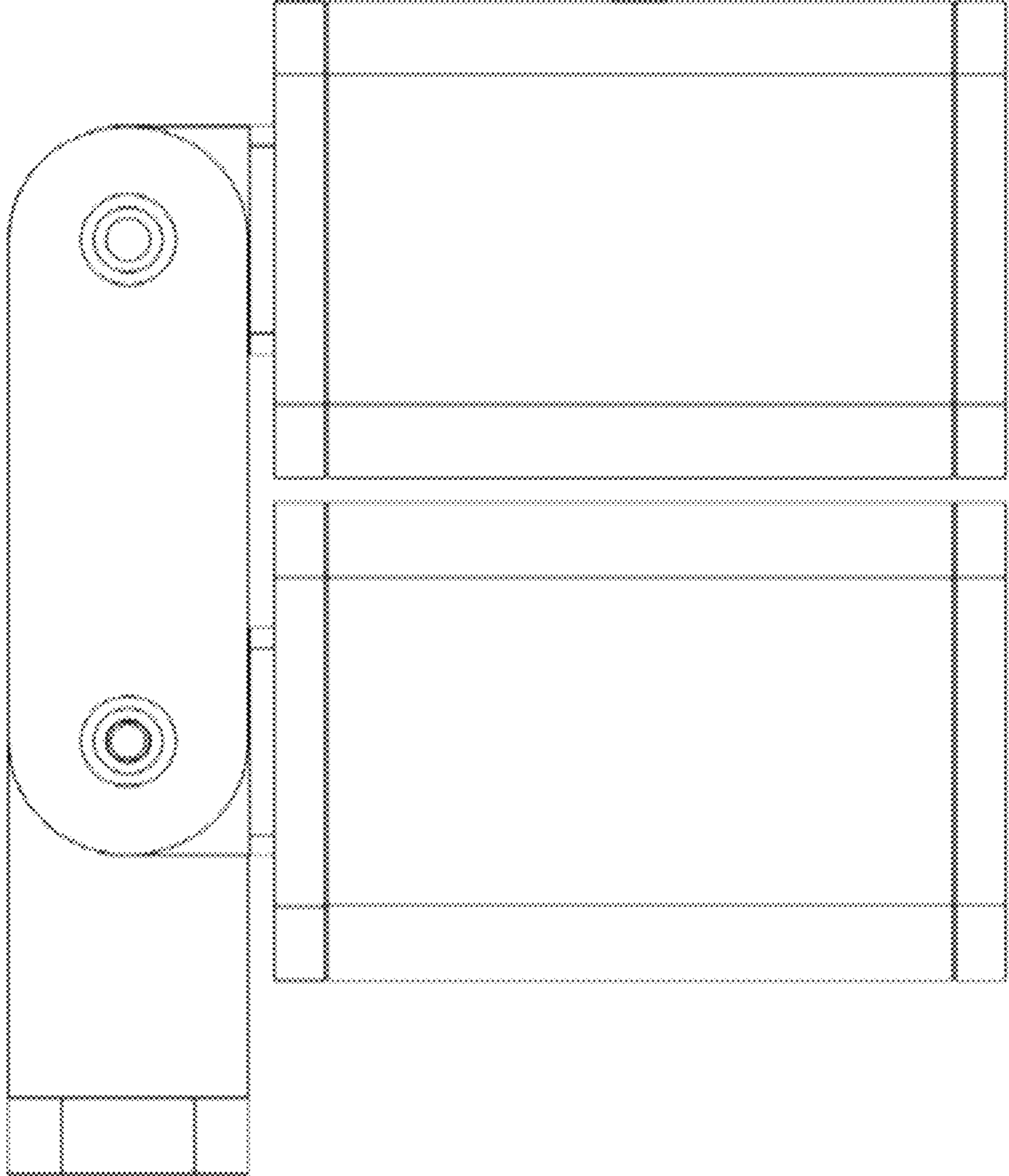


FIG. 5

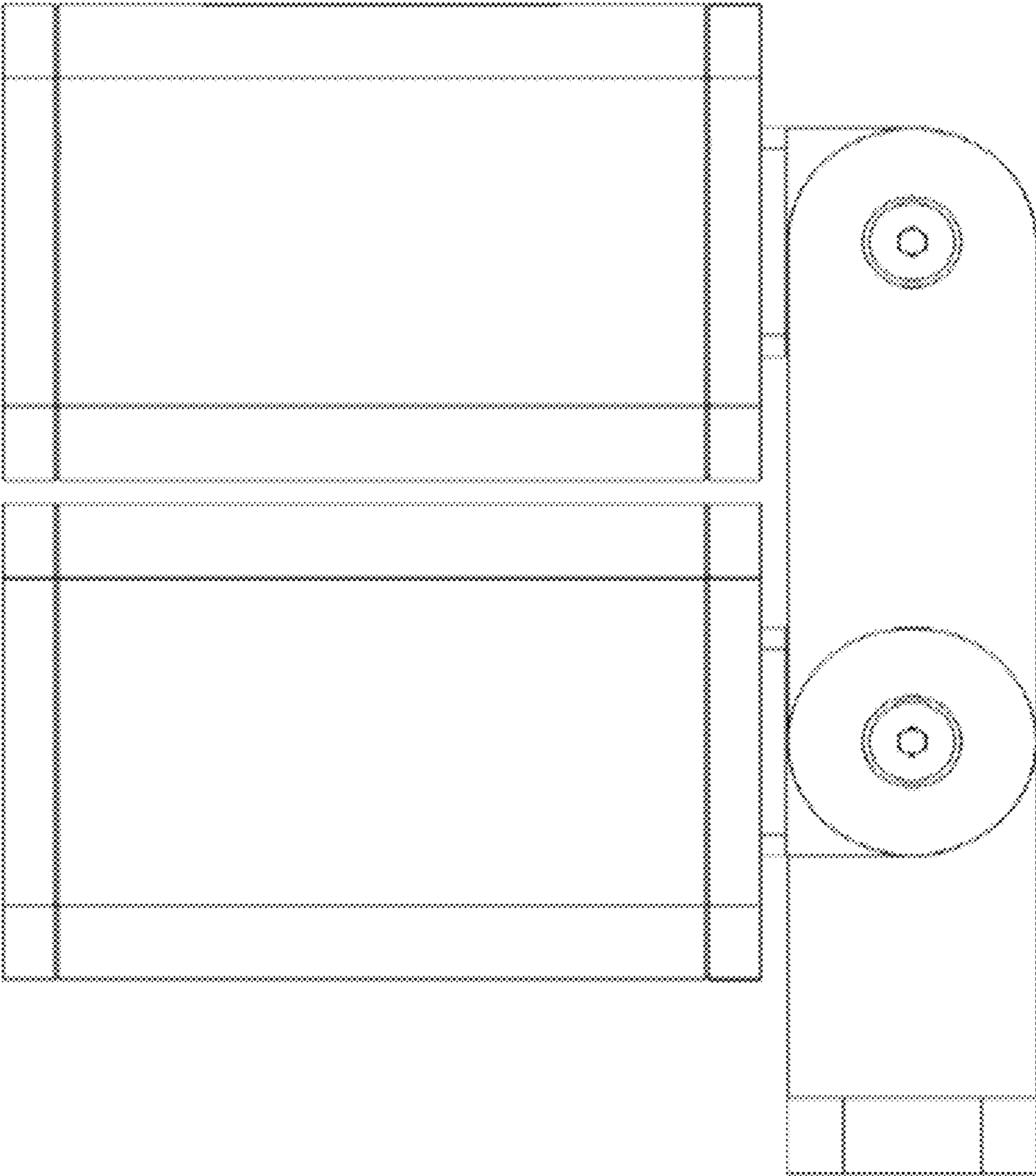


FIG. 6

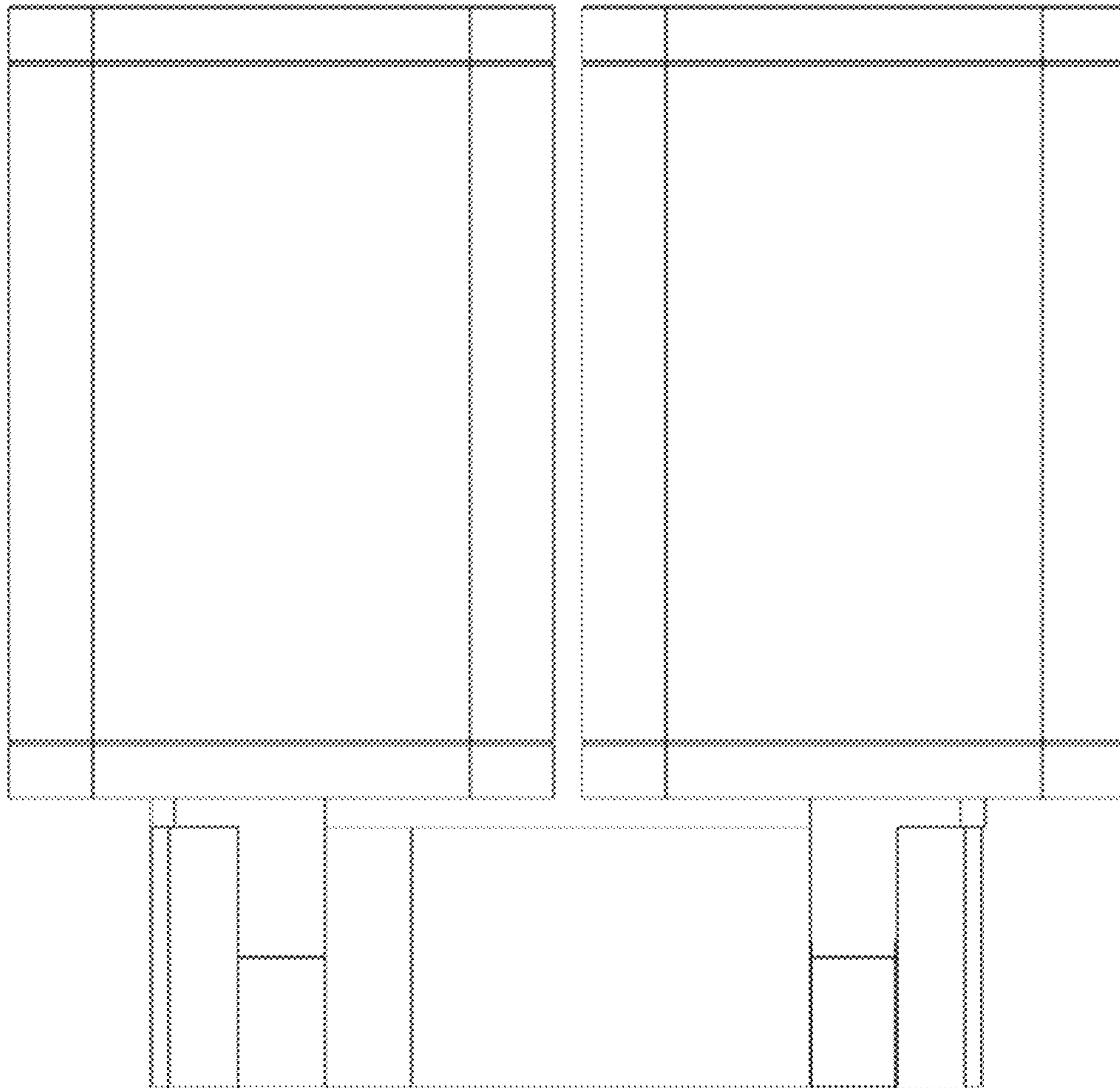


FIG. 7

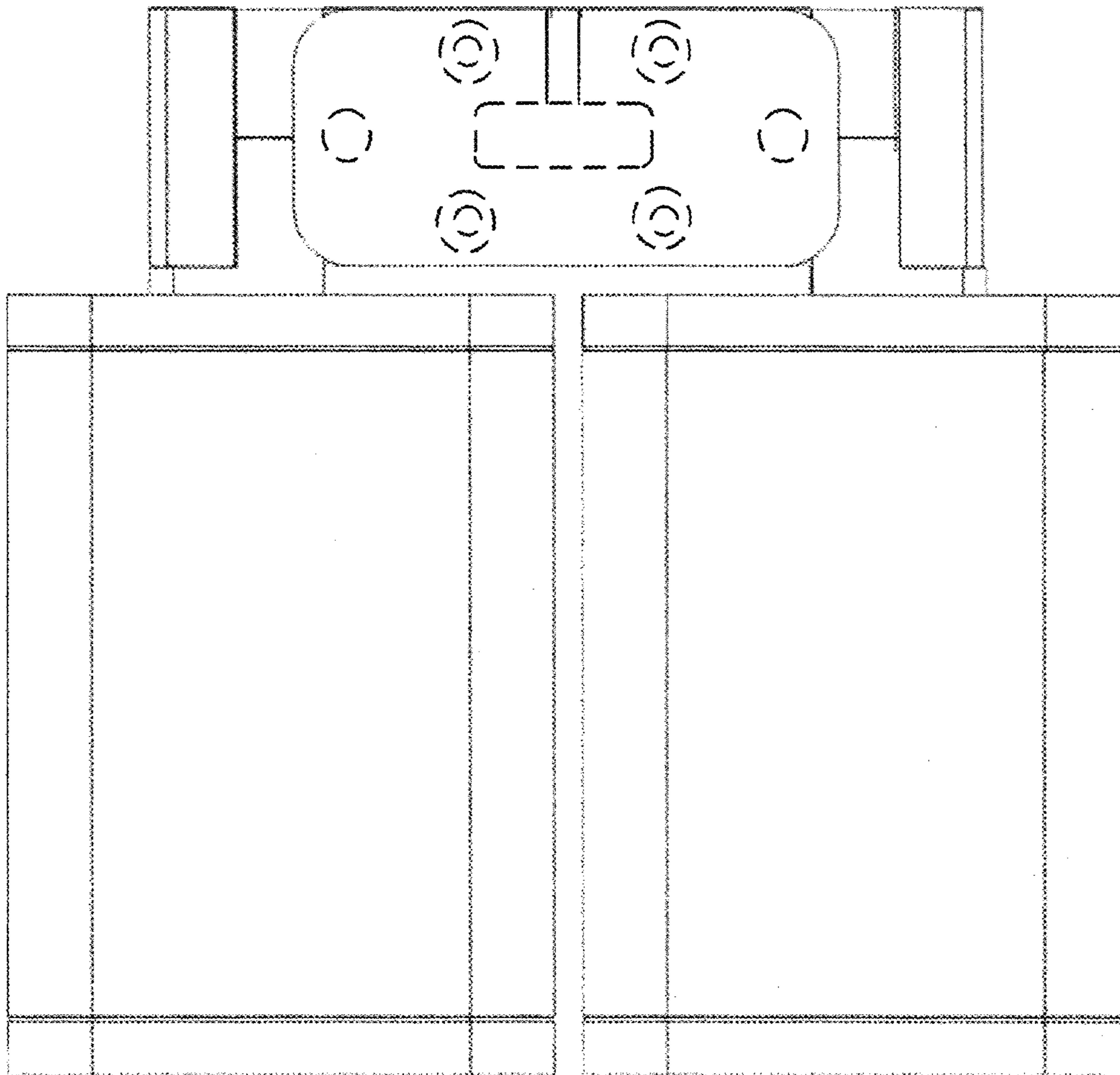


FIG. 8