



US00D779696S

(12) **United States Design Patent**  
**Cicero**

(10) **Patent No.:** **US D779,696 S**

(45) **Date of Patent:** **\*\* Feb. 21, 2017**

(54) **LIGHTING FIXTURE**

CPC ..... F21S 8/033; F21S 8/04; F21S 8/046;  
F21S 8/066; F21V 21/34

(71) Applicant: **The L.D. Kichler Co.**, Cleveland, OH  
(US)

See application file for complete search history.

(72) Inventor: **Jason Cicero**, Rocky River, OH (US)

(56) **References Cited**

(73) Assignee: **The L.D. Kichler Co.**, Cleveland, OH  
(US)

U.S. PATENT DOCUMENTS

(\*\*) Term: **14 Years**

3,246,074 A \* 4/1966 Neumann ..... F21V 21/35  
174/491

(21) Appl. No.: **29/502,147**

3,719,818 A \* 3/1973 Porter ..... F21V 21/34  
248/317

(22) Filed: **Sep. 12, 2014**

(Continued)

**Related U.S. Application Data**

*Primary Examiner* — Clare E Heflin

(60) Continuation of application No. 29/421,885, filed on Oct. 11, 2012, now Pat. No. Des. 715,474, which is a continuation-in-part of application No. 29/374,530, filed on Aug. 29, 2011, now Pat. No. Des. 671,669, which is a continuation-in-part of application No. 29/370,099, filed on Jun. 4, 2010, now Pat. No. Des. 644,371, which is a continuation-in-part of application No. 29/308,457, filed on Jun. 18, 2008, now abandoned, which is a continuation-in-part of application No. 29/307,520, filed on Apr. 24, 2008, now abandoned, which is a division of application No. 29/291,719, filed on Sep. 21, 2007, now Pat. No. Des. 570,523, which is a division of application No. 29/234,767, filed on Jul. 22, 2005, now Pat. No. Des. 564,123, which is a continuation of application No. 29/153,392, filed on Jan. 7, 2002, now Pat. No. Des. 511,019, said application No. 29/308,457 is a continuation-in-part of application No. 29/291,738,

(74) *Attorney, Agent, or Firm* — Calfee, Halter & Griswold LLP

(Continued)

(57) **CLAIM**

(51) **LOC (10) Cl.** ..... **26-05**

The ornamental design for a lighting fixture, as shown and described.

(52) **U.S. Cl.**  
USPC ..... **D26/63**

**DESCRIPTION**

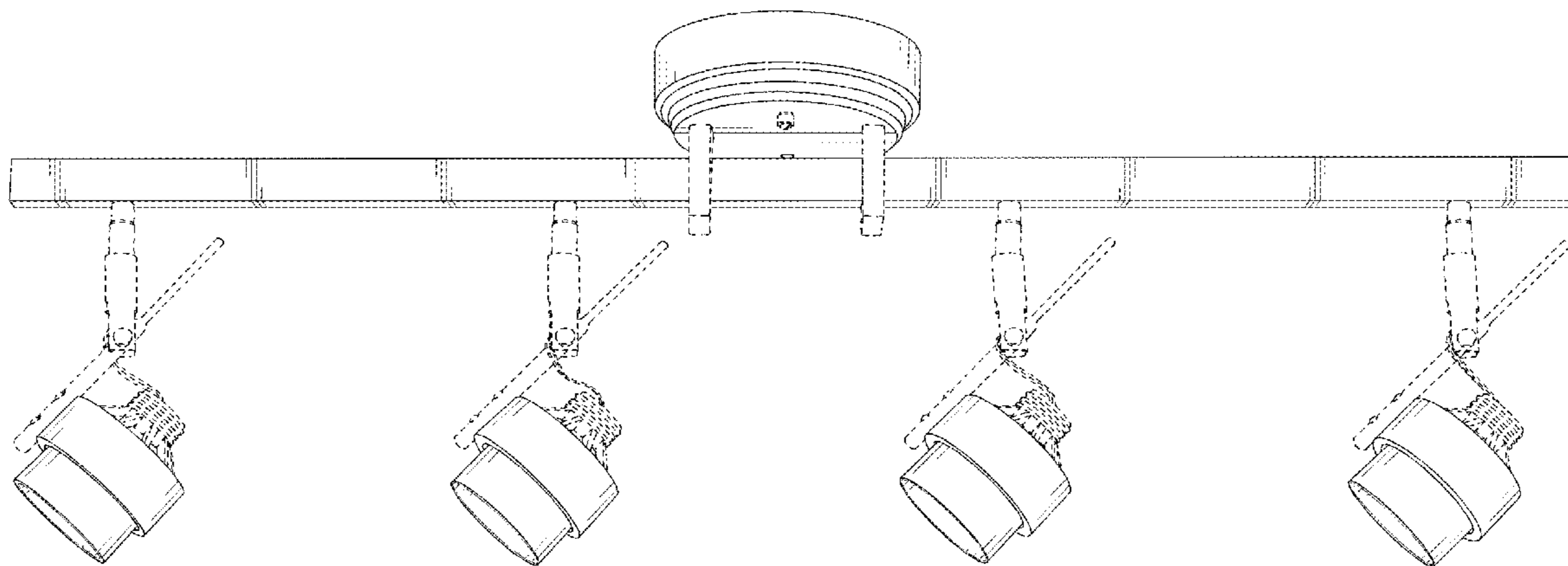
(58) **Field of Classification Search**  
USPC ..... D26/63, 80-84, 66, 86

FIG. 1 is a perspective view of a lighting fixture showing the new design;  
FIG. 2 is an enlarged fragmentary view of the leftmost lamp of the lighting fixture of FIG. 1;  
FIG. 3 is a front elevation view of the lighting fixture of FIG. 1, the rear elevation view being a mirror image thereof;  
FIG. 4 is a top plan view of the lighting fixture of FIG. 1;  
FIG. 5 is a bottom plan view of the lighting fixture of FIG. 1;

FIG. 6 is a left side elevation view of the lighting fixture of FIG. 1; and,  
FIG. 7 is a right side elevation view of the lighting fixture of FIG. 1.

The broken lines shown on the drawings depict portions of the lighting fixture that form no part of the claimed design.

**1 Claim, 5 Drawing Sheets**



**Related U.S. Application Data**

filed on Sep. 12, 2007, now Pat. No. Des. 578,244, which is a division of application No. 29/265,173, filed on Aug. 24, 2006, now Pat. No. Des. 560,841, which is a division of application No. 29/185,163, filed on Jun. 24, 2003, now Pat. No. Des. 530,845, said application No. 29/308,457 is a continuation-in-part of application No. 29/292,839, filed on Oct. 30, 2007, now Pat. No. Des. 575,446, which is a division of application No. 29/283,466, filed on Aug. 15, 2007, now Pat. No. Des. 585,591, which is a continuation of application No. 29/221,429, filed on Jan. 14, 2005, now Pat. No. Des. 550,886, said application No. 29/308,457 is a continuation-in-part of application No. 29/292,268, filed on Oct. 4, 2007, now Pat. No. Des. 580,084, which is a division of application No. 29/221,430, filed on Jan. 14, 2005, now Pat. No. Des. 561,375, said application No. 29/308,457 is a continuation-in-part of application No. 29/276,225, filed on Jan. 19, 2007, now Pat. No. Des. 573,293, which is a continuation of application No. 29/257,608, filed on Apr. 6, 2006, now Pat. No. Des. 561,371, said application No. 29/308,457 is a continuation-in-part of application No. 29/261,674, filed on Jun. 16, 2006, now abandoned, and a continuation-in-part of application No. 29/268,178, filed on Oct. 31, 2006, now Pat. No. Des. 578,238, and a continuation-in-part of application No. 29/291,411, filed on Aug. 27, 2007, now Pat. No. Des. 583,089, and a continuation-in-part of application No. 29/293,627, filed on Dec. 4, 2007, now Pat. No. Des. 580,088, and a continuation-in-part of application No. 29/294,158, filed on Dec. 21, 2007, now abandoned, said application No. 29/421,885 is a continuation-in-part of application No. 29/421,150, filed on May 31, 2012, now Pat. No. Des. 713,090, and a continuation-in-part of application No. 29/395,346, filed on Jan. 5, 2012, now Pat. No. Des. 694,950, and a continuation-in-part of application No. 29/372,835, filed on Jan. 19, 2011, now Pat. No. Des. 670,423.

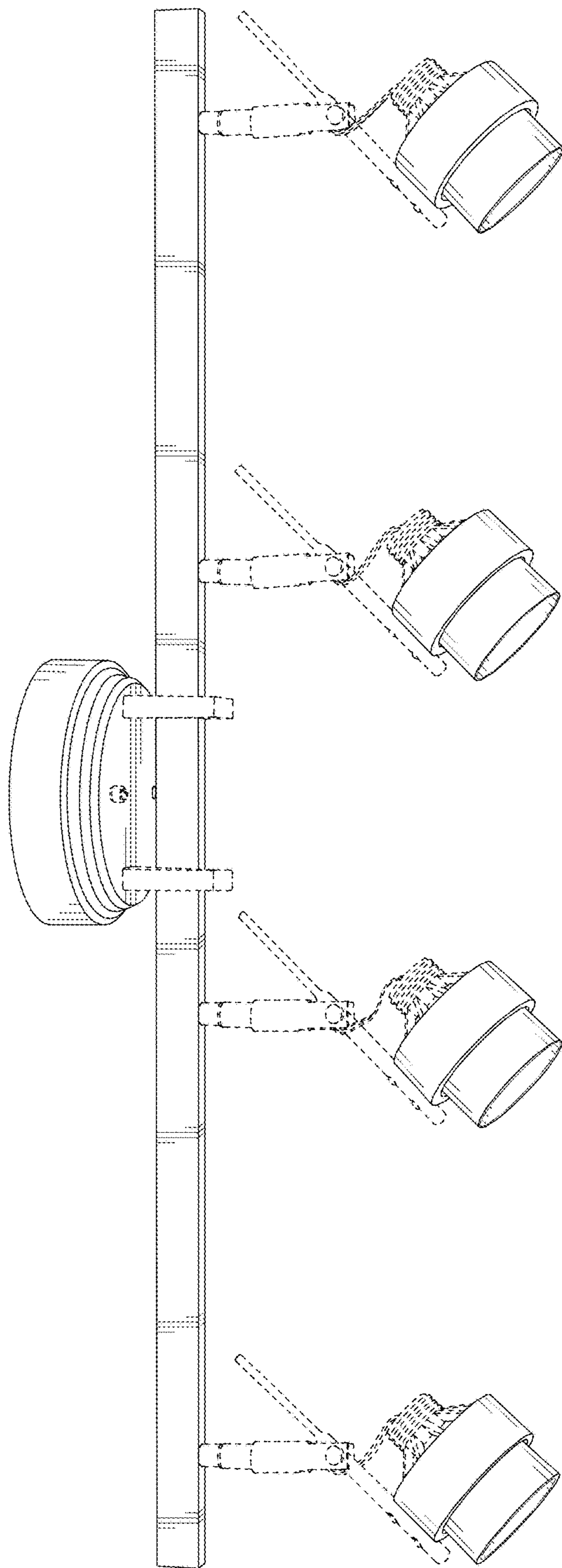
(56)

**References Cited**

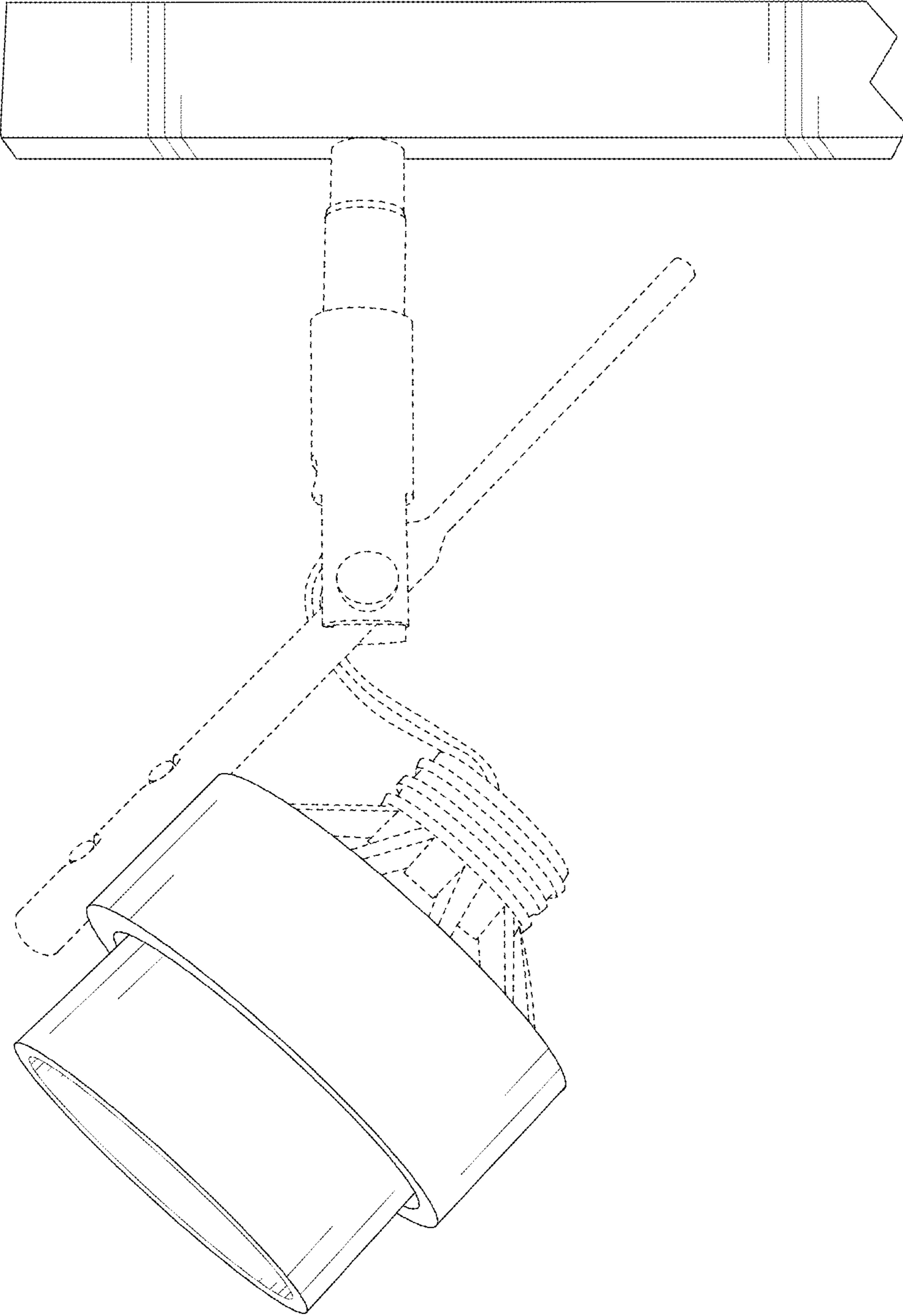
U.S. PATENT DOCUMENTS

D236,022	S *	7/1975	Magistretti .....	D26/66
D242,945	S *	1/1977	Moore .....	D26/65
4,118,760	A *	10/1978	Cohon .....	F21S 8/033 362/239
D261,180	S *	10/1981	Lagin .....	D26/66
4,814,955	A *	3/1989	Price .....	F21V 21/30 362/275
D326,162	S *	5/1992	Price .....	D26/63
D385,372	S *	10/1997	Mier-Langner .....	D26/63
D389,260	S *	1/1998	Mier-Langner .....	D26/63
D394,723	S *	5/1998	Mier-Langner .....	D26/63
6,244,733	B1 *	6/2001	Fong .....	F21V 21/35 362/147
D525,737	S *	7/2006	Roos .....	D26/63
D542,456	S *	5/2007	Swanson .....	D26/65
D546,994	S *	7/2007	Wachter .....	D26/63
7,246,935	B2 *	7/2007	Benghozi .....	H01R 25/142 362/147
D557,441	S *	12/2007	Hsu .....	D26/83
7,334,921	B1 *	2/2008	Simnor .....	F21S 4/003 362/249.01
D567,979	S *	4/2008	Starck .....	D26/63
D589,190	S *	3/2009	Sabernig .....	D26/63
D589,193	S *	3/2009	Sabernig .....	D26/63
D589,637	S *	3/2009	Sabernig .....	D26/63
D611,636	S *	3/2010	Sabernig .....	D26/63
D620,166	S *	7/2010	Sabernig .....	D26/63
D620,167	S *	7/2010	Sabernig .....	D26/63
D620,174	S *	7/2010	Sabernig .....	D26/83
D637,751	S *	5/2011	Chiu .....	D26/63
D643,962	S *	8/2011	Verelst .....	D26/83
D645,597	S *	9/2011	Sabernig .....	D26/65
D646,823	S *	10/2011	Yamada .....	D26/63
D661,007	S *	5/2012	Sabernig .....	D26/63
D693,502	S *	11/2013	Rashidi .....	D26/63
D703,362	S *	4/2014	Sabernig .....	D26/63
D703,363	S *	4/2014	Sabernig .....	D26/63
D738,023	S *	9/2015	Roselle Gratacos .....	D26/63
2006/0175516	A1 *	8/2006	Wedi .....	F21V 23/00 248/418
2015/0049513	A1 *	2/2015	Haubach .....	F21V 19/04 362/648
2015/0198311	A1 *	7/2015	O'Brien .....	F21S 8/066 362/220

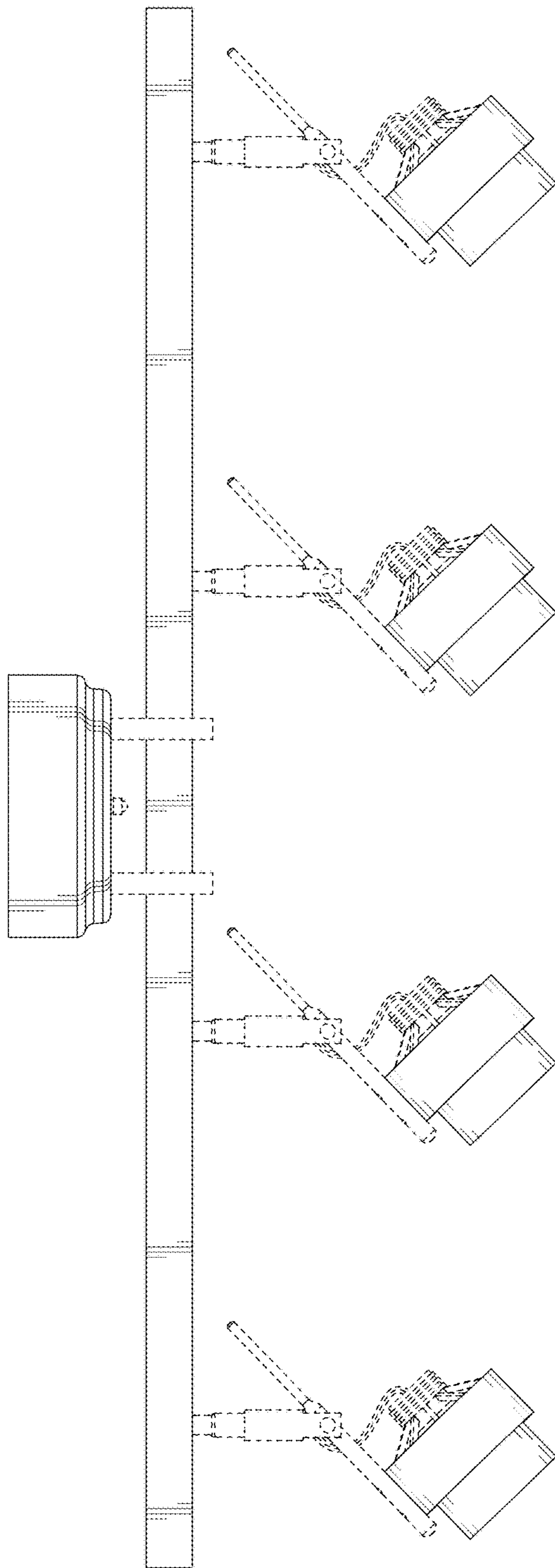
\* cited by examiner



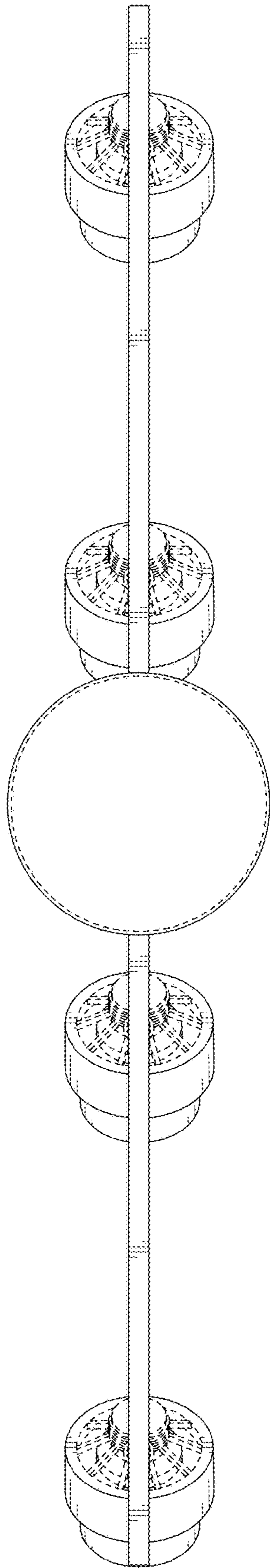
**FIG. 1**



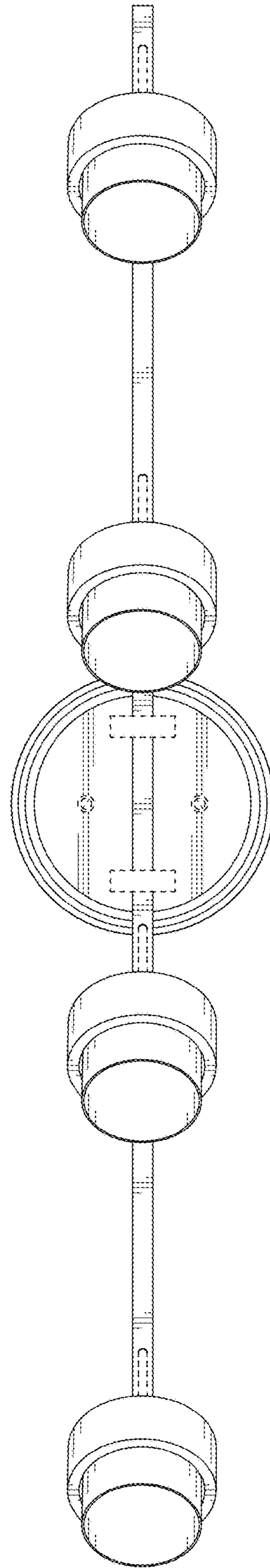
**FIG. 2**



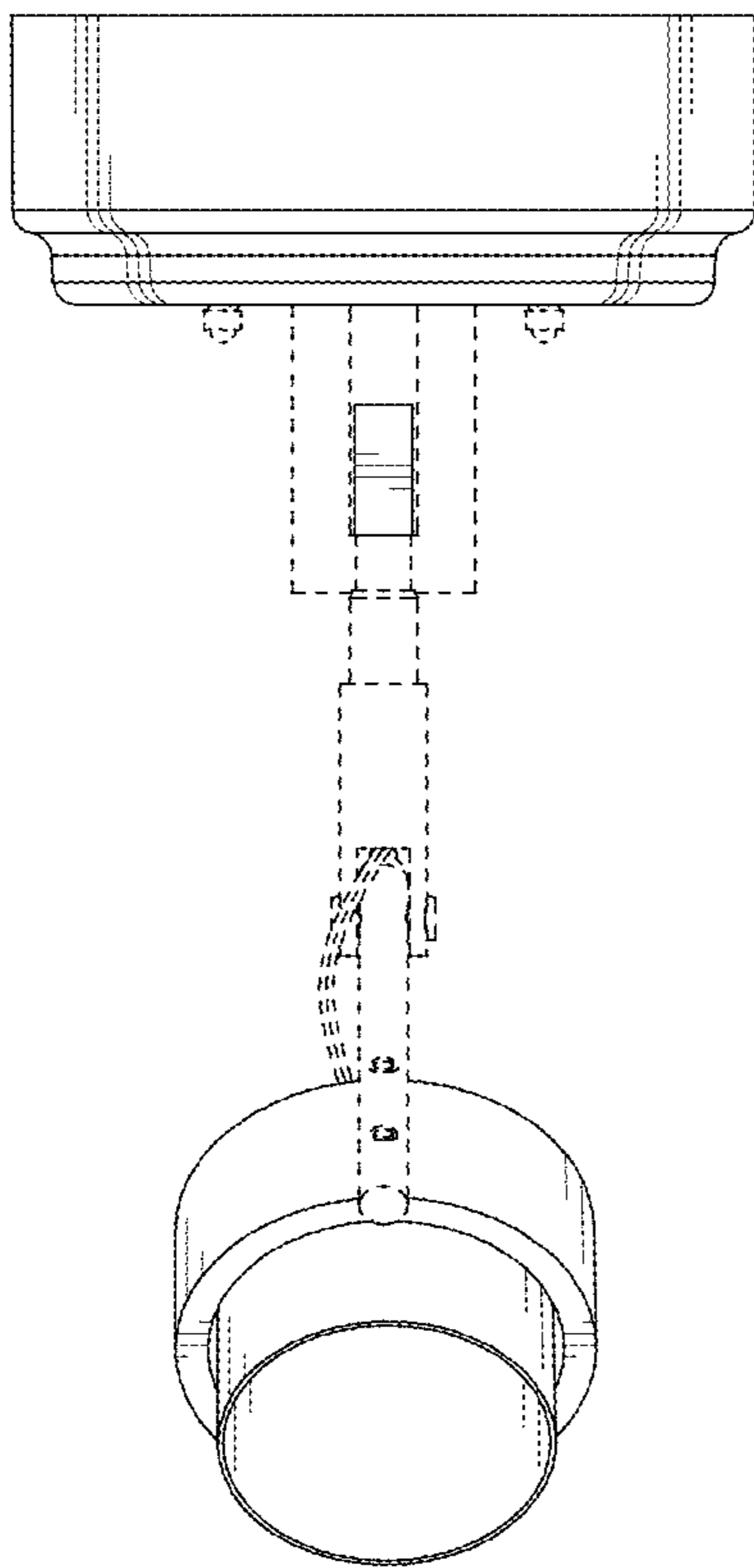
**FIG. 3**



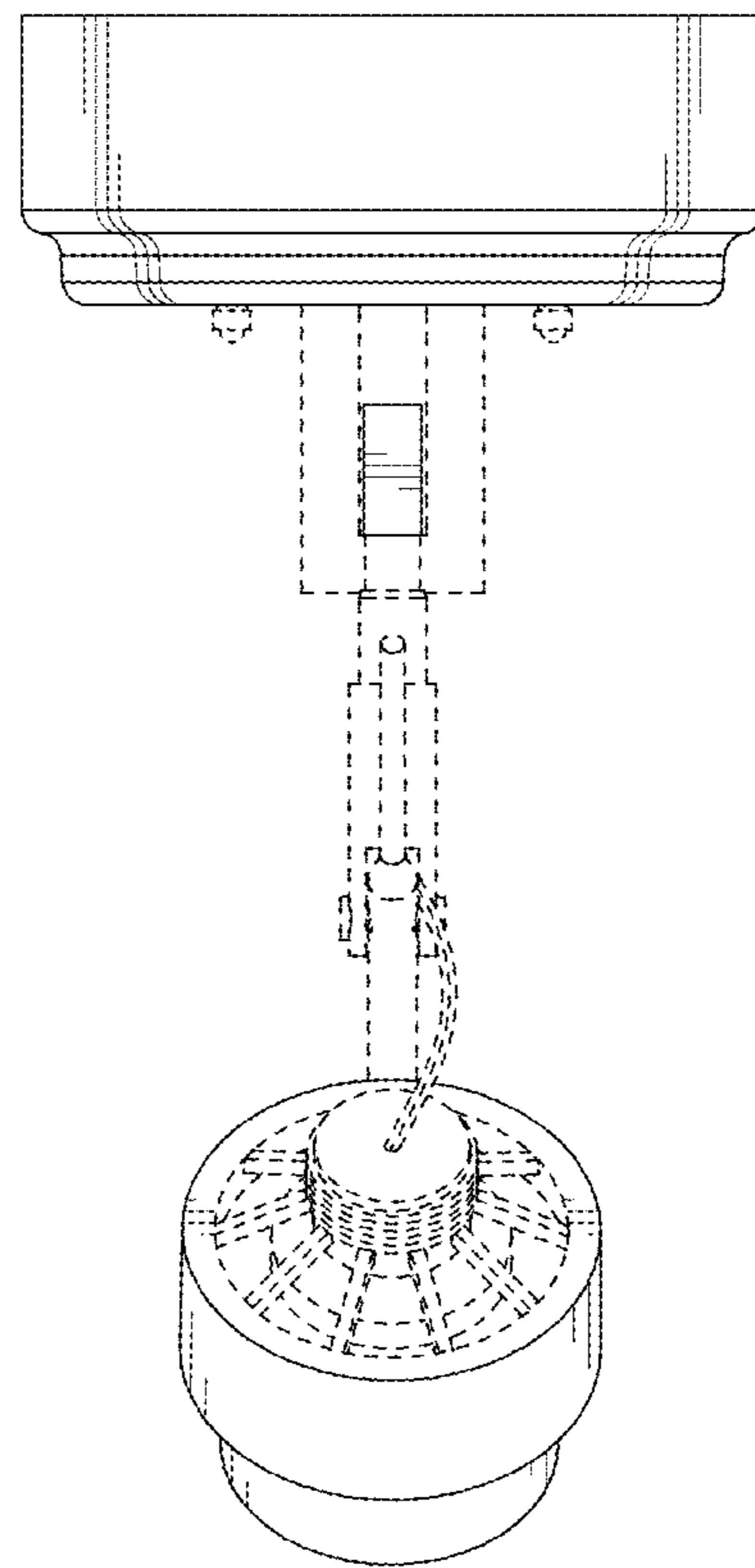
**FIG. 4**



**FIG. 5**



**FIG. 6**



**FIG. 7**