



US00D779694S

(12) **United States Design Patent**
Crowe et al.

(10) **Patent No.:** **US D779,694 S**

(45) **Date of Patent:** **** Feb. 21, 2017**

- (54) **PORTABLE LIGHT**
- (71) Applicant: **Milwaukee Electric Tool Corporation**,
Brookfield, WI (US)
- (72) Inventors: **Jason R. Crowe**, Milwaukee, WI (US);
Justin D. Dorman, Wauwatosa, WI
(US); **Timothy Janda**, Kenosha, WI
(US)
- (73) Assignee: **MILWAUKEE ELECTRIC TOOL
CORPORATION**, Brookfield, WI (US)
- (**) Term: **14 Years**

D428,176 S *	7/2000	Bamber	D26/46
6,149,283 A	11/2000	Conway et al.	
D452,022 S *	12/2001	Osiecki	D26/48
6,367,949 B1	4/2002	Pederson	
6,461,017 B2	10/2002	Selkee	
6,857,756 B2	2/2005	Reiff et al.	
D506,847 S *	6/2005	Hussaini	D26/46
7,001,047 B2	2/2006	Holder et al.	
D532,536 S *	11/2006	Krieger	D26/38
7,153,004 B2	12/2006	Galli	
D553,281 S *	10/2007	Rugendyke	D26/46
D553,771 S *	10/2007	Watson	D26/37
7,278,761 B2	10/2007	Kuan	
7,367,695 B2	5/2008	Shiau	
7,470,036 B2	12/2008	Deighton et al.	

(Continued)

(21) Appl. No.: **29/465,484**

(22) Filed: **Aug. 28, 2013**

Related U.S. Application Data

(63) Continuation-in-part of application No. 14/011,032,
filed on Aug. 27, 2013, now Pat. No. 9,157,585.

(51) **LOC (10) Cl.** **26-02**

(52) **U.S. Cl.**
USPC **D26/50**

(58) **Field of Classification Search**
USPC D26/37, 46, 51, 38, 40, 41, 50; 362/157,
362/158, 183, 184, 194–196, 202–208,
362/253
CPC F21V 33/00; F21V 14/025; F21V 21/406;
F21Y 2101/02; F21L 17/00; F21L 13/08
See application file for complete search history.

(56) **References Cited**

U.S. PATENT DOCUMENTS

- 3,331,958 A 7/1967 Adler
- 4,268,894 A 5/1981 Bartunek et al.

Primary Examiner — Ian Simmons

Assistant Examiner — Carissa C Fitts

(74) *Attorney, Agent, or Firm* — Michael Best &
Friedrich LLP

(57) **CLAIM**

We claim the ornamental design for a portable light, as
shown and described.

DESCRIPTION

FIG. 1 is a perspective view of a portable light embodying
the invention;

FIG. 2 is a bottom view of the portable light of FIG. 1;

FIG. 3 is a top view of the portable light of FIG. 1;

FIG. 4 is a right side view of the portable light of FIG. 1;

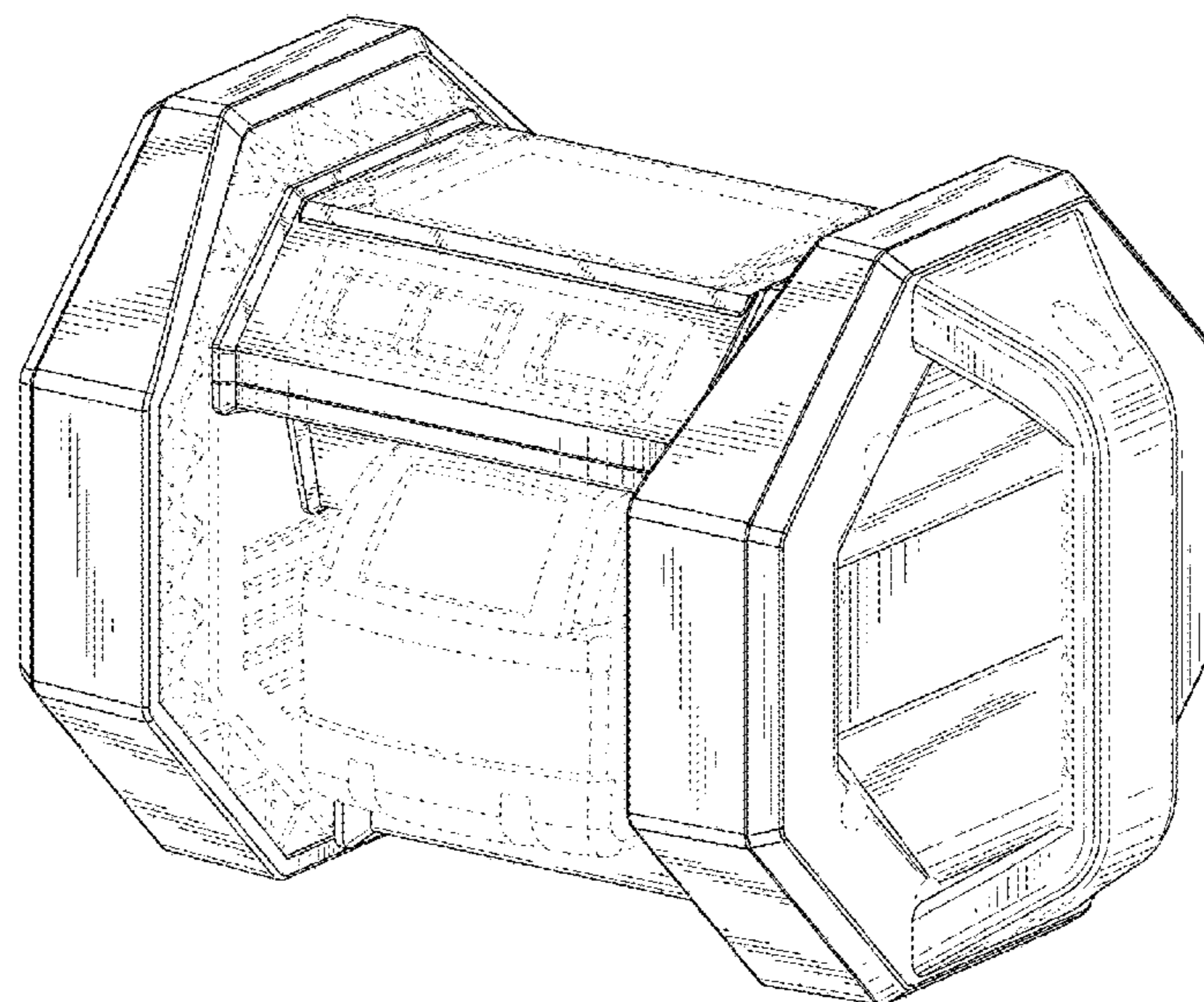
FIG. 5 is a left side view of the portable light of FIG. 1;

FIG. 6 is a front view of the portable light of FIG. 1; and,

FIG. 7 is a rear view of the portable light of FIG. 1.

The broken line showing represents unclaimed portions of
the article and forms no part of the claimed design.

1 Claim, 7 Drawing Sheets



(56)

References Cited

U.S. PATENT DOCUMENTS

7,618,154 B2	11/2009	Rosiello	2008/0165537 A1	7/2008	Shiau
7,638,970 B1	12/2009	Gebhard et al.	2008/0198588 A1	8/2008	O'Hern
7,670,034 B2	3/2010	Zhang et al.	2009/0134191 A1	5/2009	Phillips
7,857,486 B2	12/2010	Long et al.	2009/0135594 A1	5/2009	Yu et al.
7,914,178 B2	3/2011	Xiang et al.	2010/0027260 A1	2/2010	Liu
7,914,182 B2	3/2011	Mrakovich et al.	2010/0027269 A1	2/2010	Lo et al.
D643,138 S *	8/2011	Kawase D26/37	2010/0072897 A1	3/2010	Zheng
7,988,335 B2	8/2011	Liu et al.	2010/0080005 A1	4/2010	Gattari
7,990,062 B2	8/2011	Liu	2010/0315824 A1	12/2010	Chen
8,007,128 B2	8/2011	Wu et al.	2011/0031887 A1	2/2011	Stoll et al.
8,029,169 B2	10/2011	Liu	2011/0038144 A1	2/2011	Chang
8,167,466 B2	5/2012	Liu	2011/0050070 A1	3/2011	Pickard
D665,521 S *	8/2012	Werner D26/37	2011/0058367 A1	3/2011	Shiau et al.
8,235,552 B1	8/2012	Tsuge	2011/0075404 A1	3/2011	Allen et al.
8,294,340 B2	10/2012	Yu et al.	2011/0121727 A1	5/2011	Sharrah et al.
8,322,892 B2	12/2012	Scordino et al.	2011/0228524 A1	9/2011	Greer
8,330,337 B2	12/2012	Yu et al.	2011/0286216 A1	11/2011	Araman
8,366,290 B2	2/2013	Maglica	2011/0317420 A1	12/2011	Jeon et al.
8,547,022 B2	10/2013	Summerford et al.	2012/0026729 A1	2/2012	Sanchez et al.
D695,434 S *	12/2013	Shen D26/41	2012/0033400 A1	2/2012	Remus et al.
D698,471 S *	1/2014	Poon D26/37	2012/0033429 A1	2/2012	Van De Ven
D699,874 S *	2/2014	Chilton D26/37	2012/0044707 A1	2/2012	Breidenassel
D705,467 S *	5/2014	Aglassinger D26/41	2012/0049717 A1	3/2012	Lu
D708,376 S *	7/2014	Crowe D26/37	2012/0057351 A1	3/2012	Wilcox et al.
D726,354 S *	4/2015	Davies D26/37	2012/0087118 A1	4/2012	Bailey et al.
D728,402 S *	5/2015	Case D10/114.1	2012/0087125 A1	4/2012	Liu
D747,263 S *	1/2016	Lafferty D13/102	2012/0098437 A1	4/2012	Smed
2006/0007682 A1	1/2006	Reiff et al.	2012/0212963 A1	8/2012	Jigamian
2006/0067077 A1	3/2006	Kumthampinij et al.	2012/0234519 A1	9/2012	Lee
2006/0285323 A1	12/2006	Fowler	2012/0236551 A1	9/2012	Sharrah et al.
2007/0211470 A1	9/2007	Huang	2012/0247735 A1	10/2012	Ito et al.
2007/0297167 A1	12/2007	Greenhoe	2012/0262917 A1	10/2012	Courcelle
2008/0112170 A1	5/2008	Trott et al.	2013/0032323 A1	2/2013	Hsu
2008/0158887 A1	7/2008	Zhu et al.	2013/0077296 A1	3/2013	Goeckel et al.
			2013/0176713 A1	7/2013	Deighton et al.
			2013/0258645 A1*	10/2013	Weber F21L 4/08 362/183

* cited by examiner

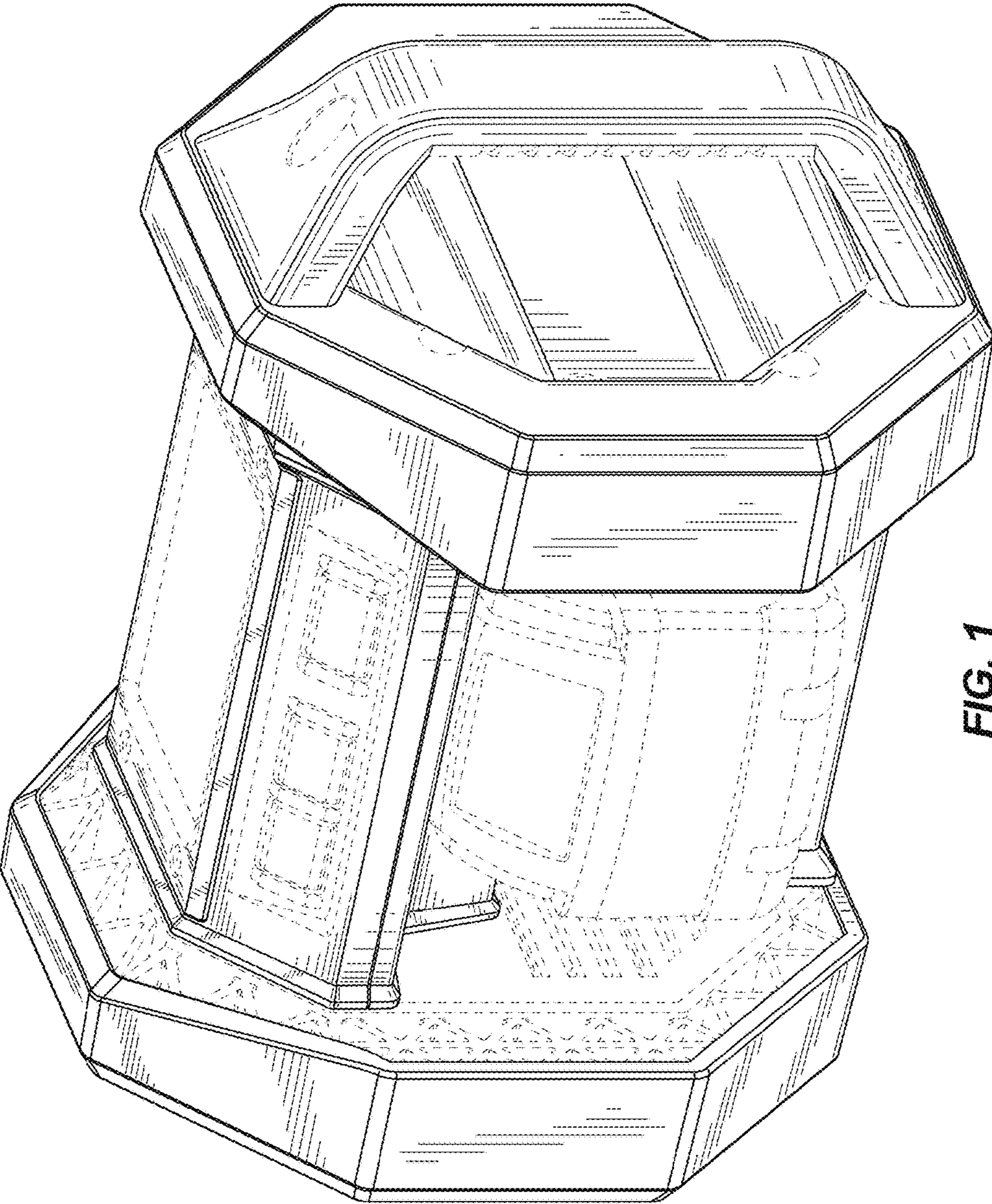


FIG. 1

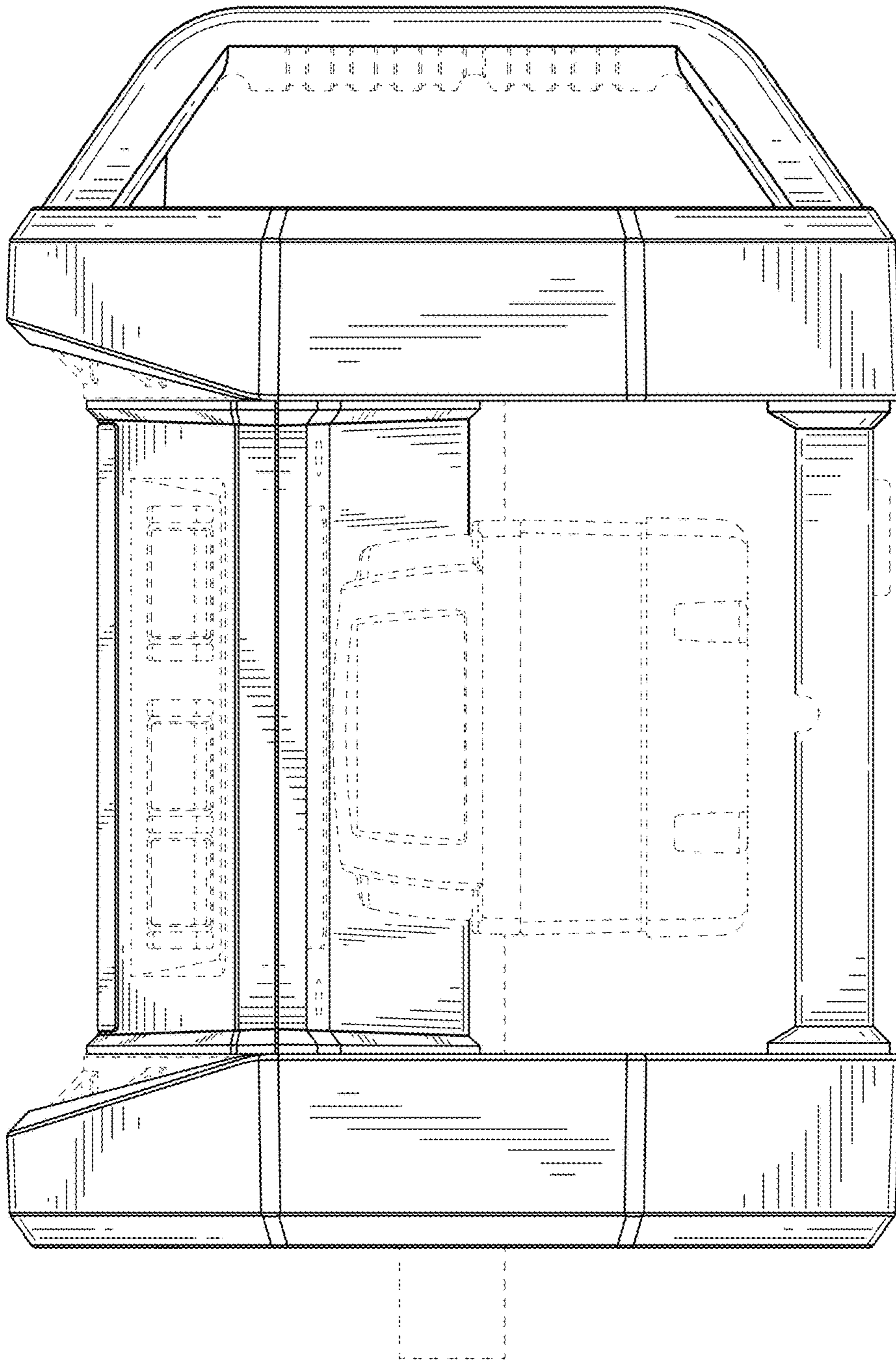


FIG. 2

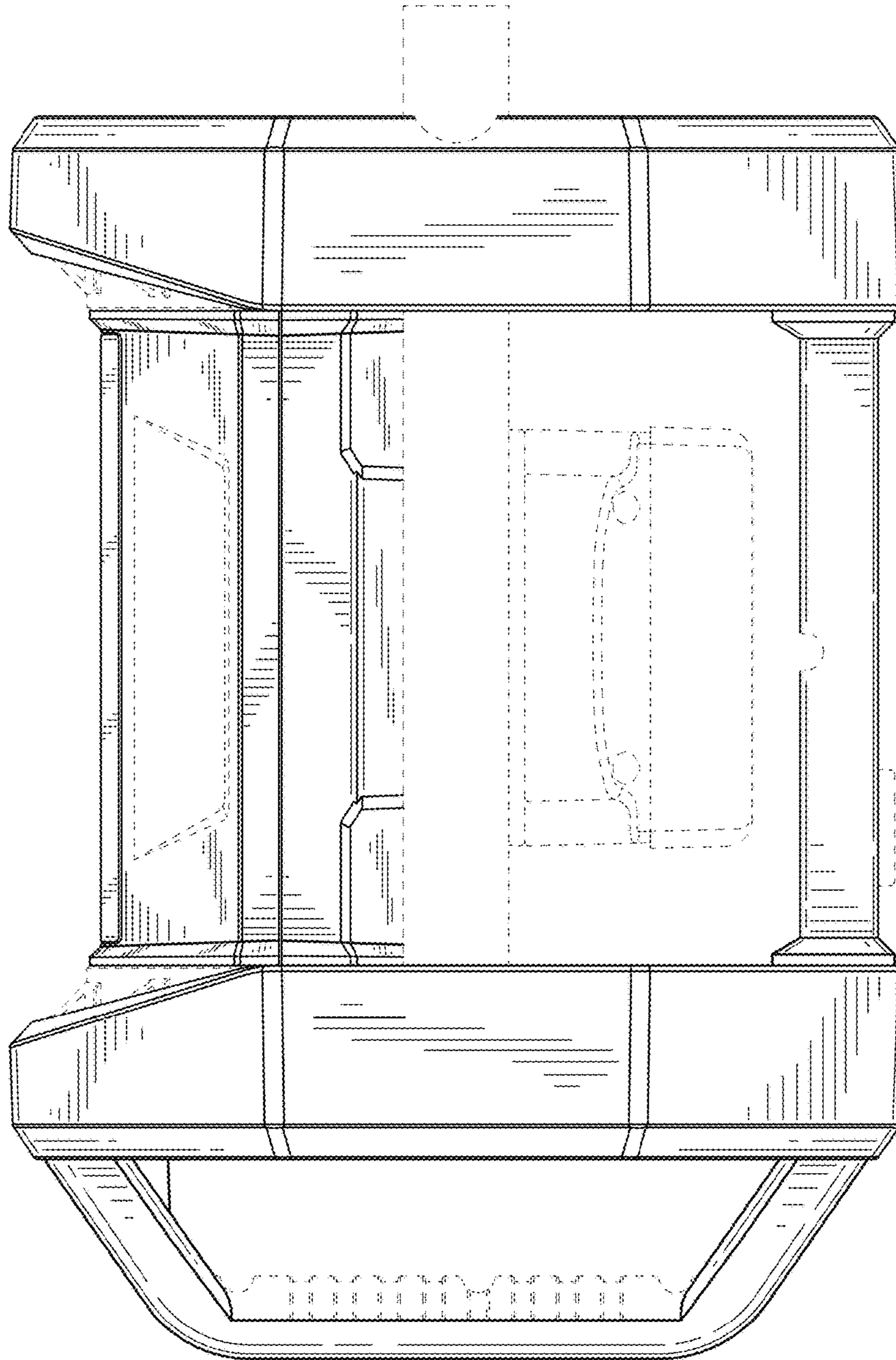


FIG. 3

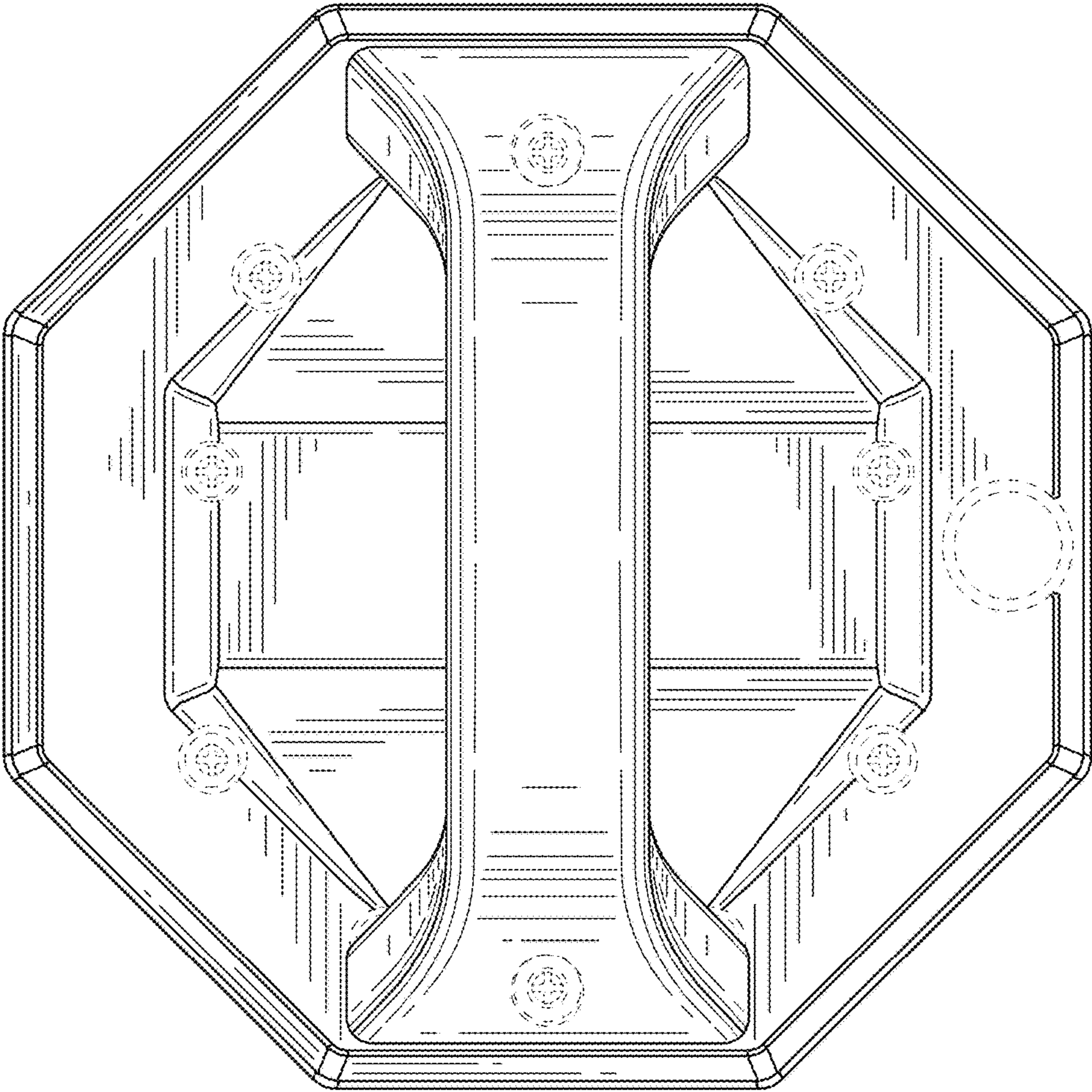


FIG. 4

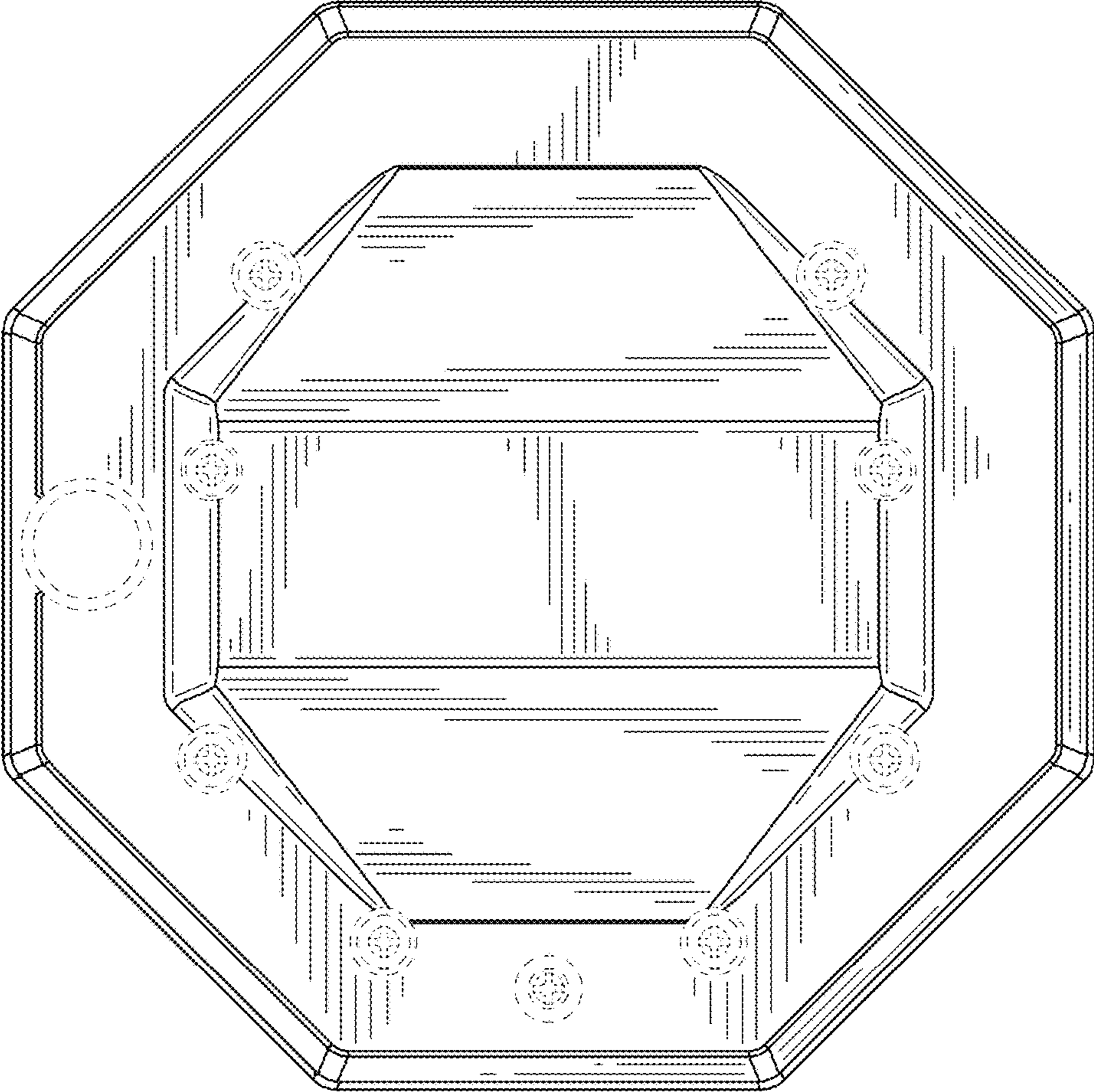


FIG. 5

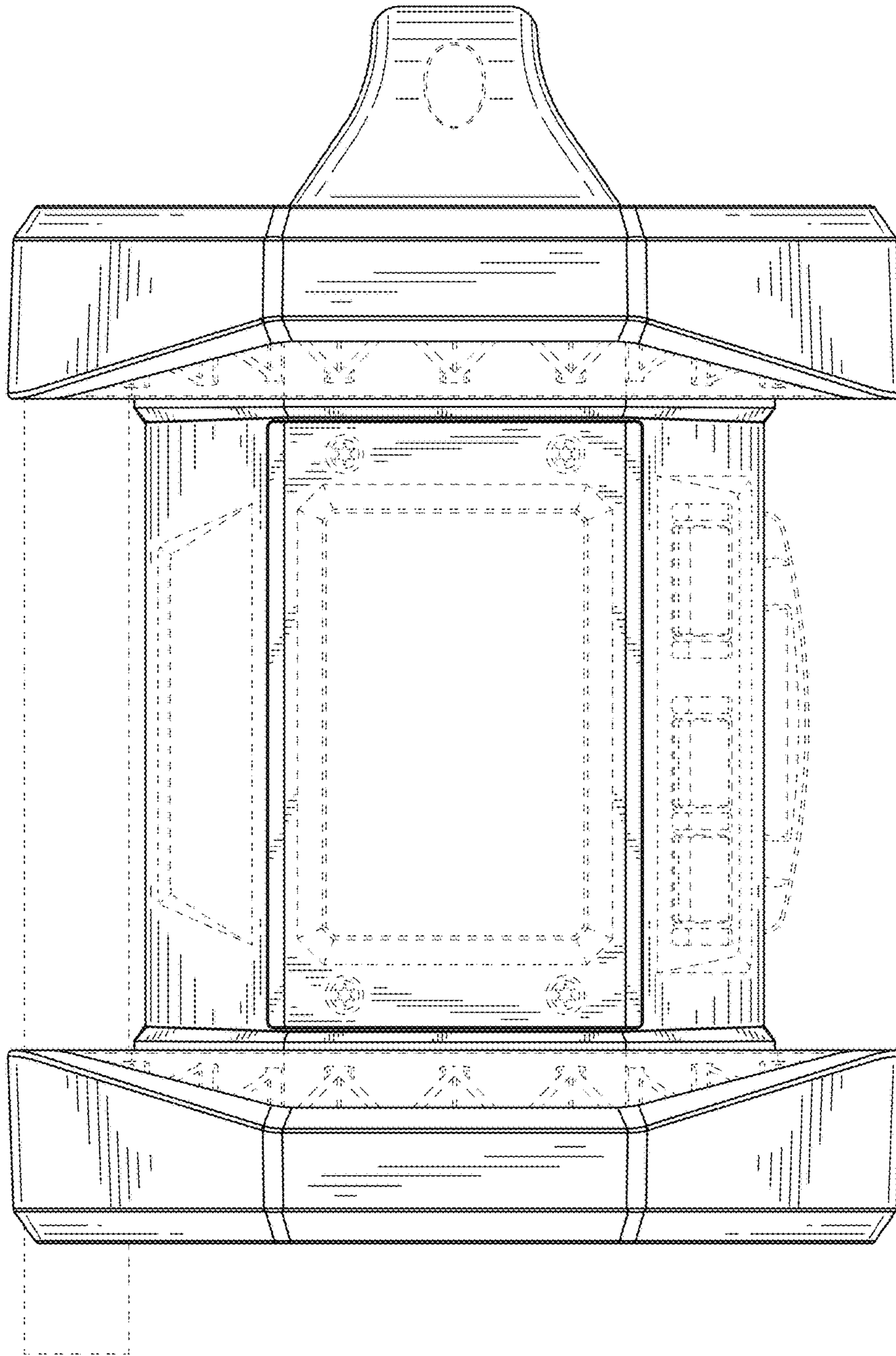


FIG. 6

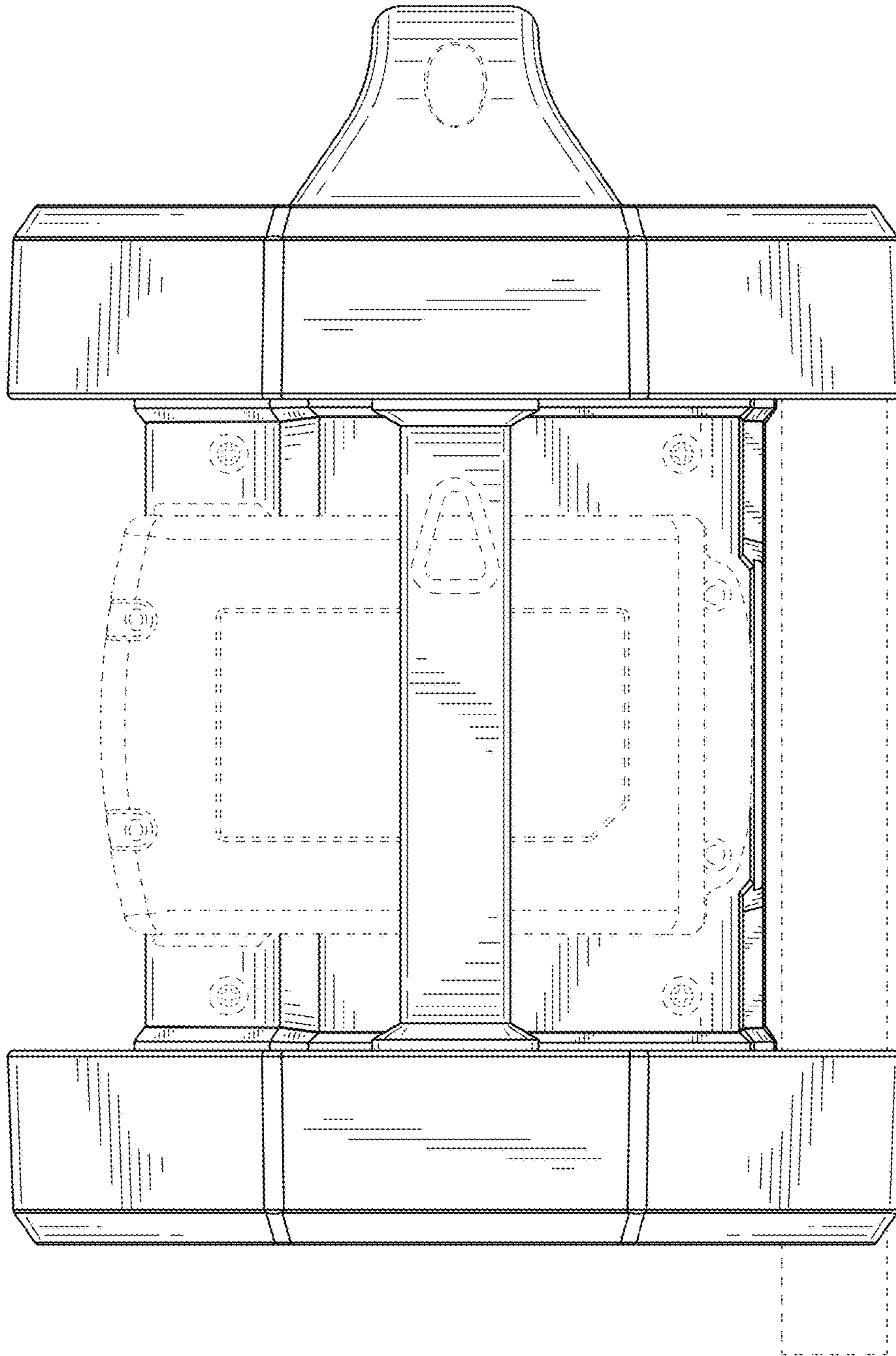


FIG. 7