



US00D779692S

(12) **United States Design Patent**
del Rosario

(10) **Patent No.:** **US D779,692 S**

(45) **Date of Patent:** **** Feb. 21, 2017**

(54) **HEADLIGHT**

D688,400 S * 8/2013 Haumann D26/28
D716,477 S * 10/2014 Chu D26/28
D718,478 S * 11/2014 Adams D26/28

(71) Applicant: **Lee Bryant del Rosario**, Sun Valley,
CA (US)

* cited by examiner

(72) Inventor: **Lee Bryant del Rosario**, Sun Valley,
CA (US)

Primary Examiner — Marcus Jackson
(74) *Attorney, Agent, or Firm* — Dunlap Bennett &
Ludwig PLLC

(**) Term: **15 Years**

(57) **CLAIM**

(21) Appl. No.: **29/544,725**

The ornamental design for a headlight, as shown and
described.

(22) Filed: **Nov. 5, 2015**

DESCRIPTION

(51) **LOC (10) Cl.** **26-06**

(52) **U.S. Cl.**
USPC **D26/28**

(58) **Field of Classification Search**
USPC D26/28-36; 362/80-83, 267-269,
362/459-468, 475-478, 485-487
CPC F21S 48/00; F21S 48/10; F21S 48/115;
F21S 48/225; F21S 48/1233; F21S
48/1266; F21S 48/1388; F21S 48/2268;
F21V 21/04

FIG. 1 is a perspective view of a first embodiment of a
headlight;
FIG. 2 is a front elevation view of FIG. 1;
FIG. 3 is a rear elevation view of FIG. 1;
FIG. 4 is a top plan view of FIG. 1;
FIG. 5 is a bottom plan view of FIG. 1;
FIG. 6 is a right elevation view of FIG. 1, the left elevation
view being a mirror image thereof;
FIG. 7 is a perspective view of a second embodiment of the
headlight;
FIG. 8 is a front elevation view of FIG. 7;
FIG. 9 is a rear elevation view of FIG. 7;
FIG. 10 is a top plan view of FIG. 7;
FIG. 11 is a bottom plan view of FIG. 7; and,
FIG. 12 is a right elevation view of FIG. 7, the left elevation
view being a mirror image thereof.
The broken lines shown in the drawings depict portions of
the headlight that form no part of the claimed design.

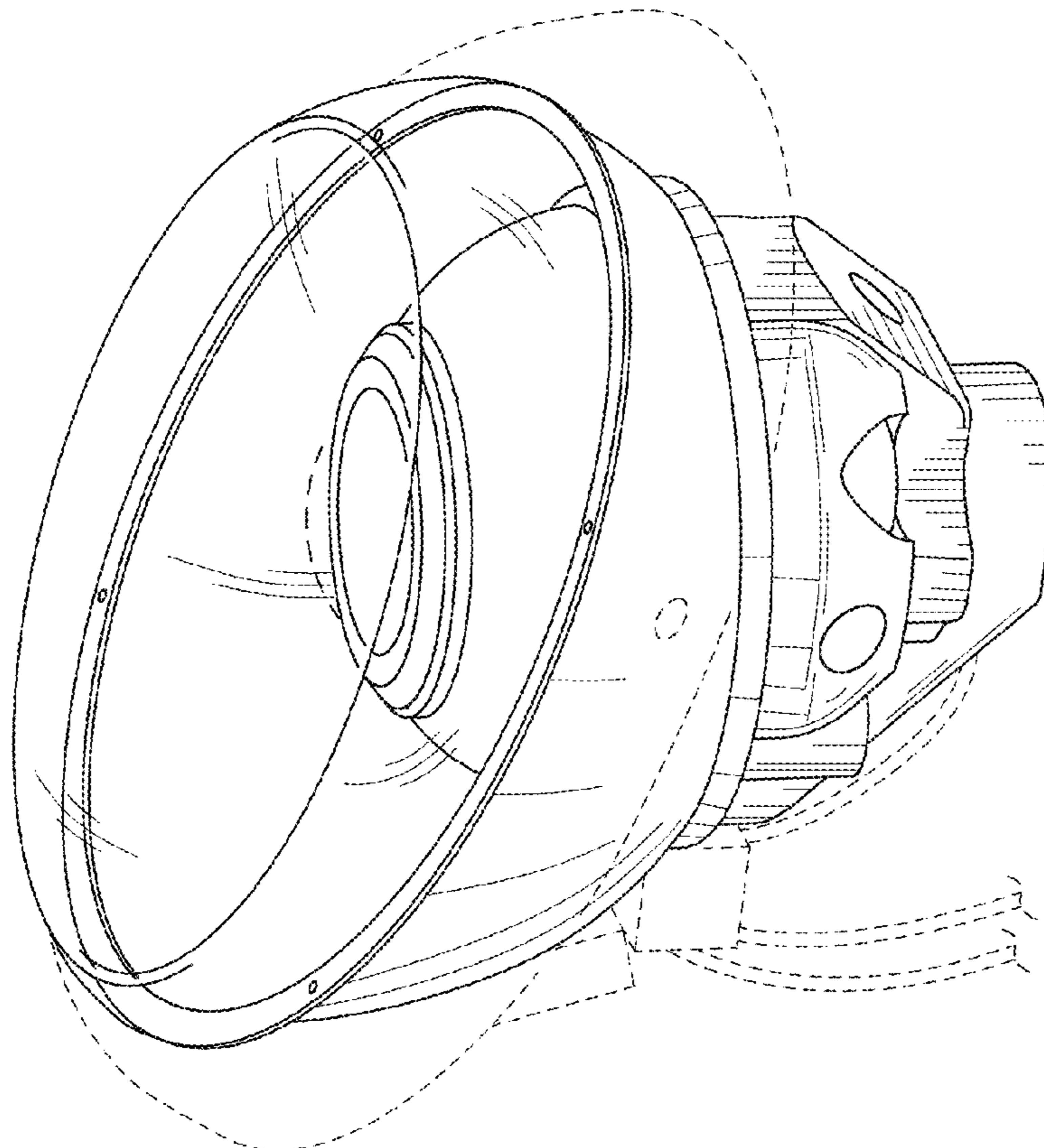
See application file for complete search history.

(56) **References Cited**

U.S. PATENT DOCUMENTS

D490,172 S * 5/2004 Yamamoto D26/28
D564,683 S * 3/2008 Roach D26/28
D626,670 S * 11/2010 Metzger D26/28

1 Claim, 8 Drawing Sheets



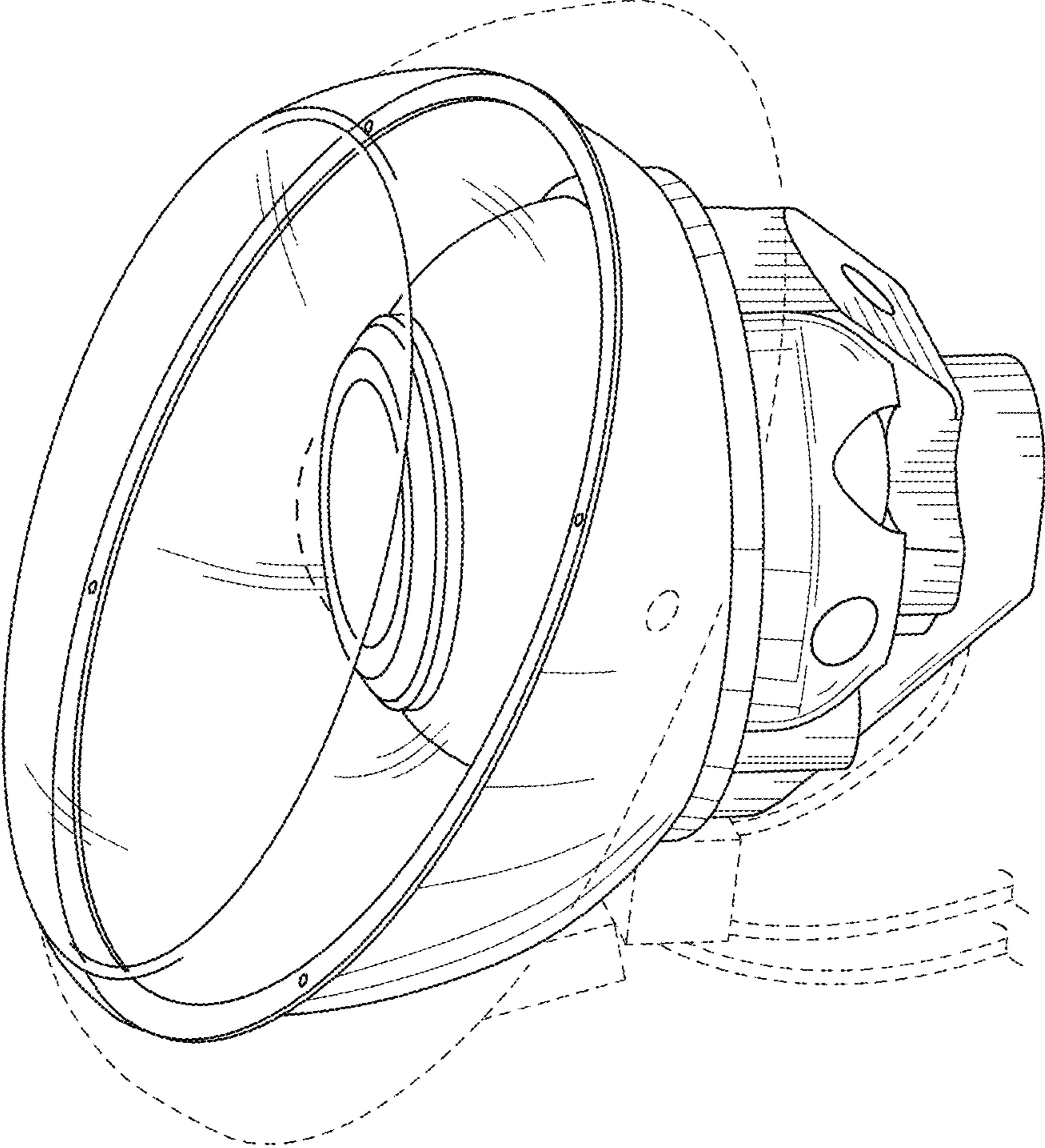


FIG. 1

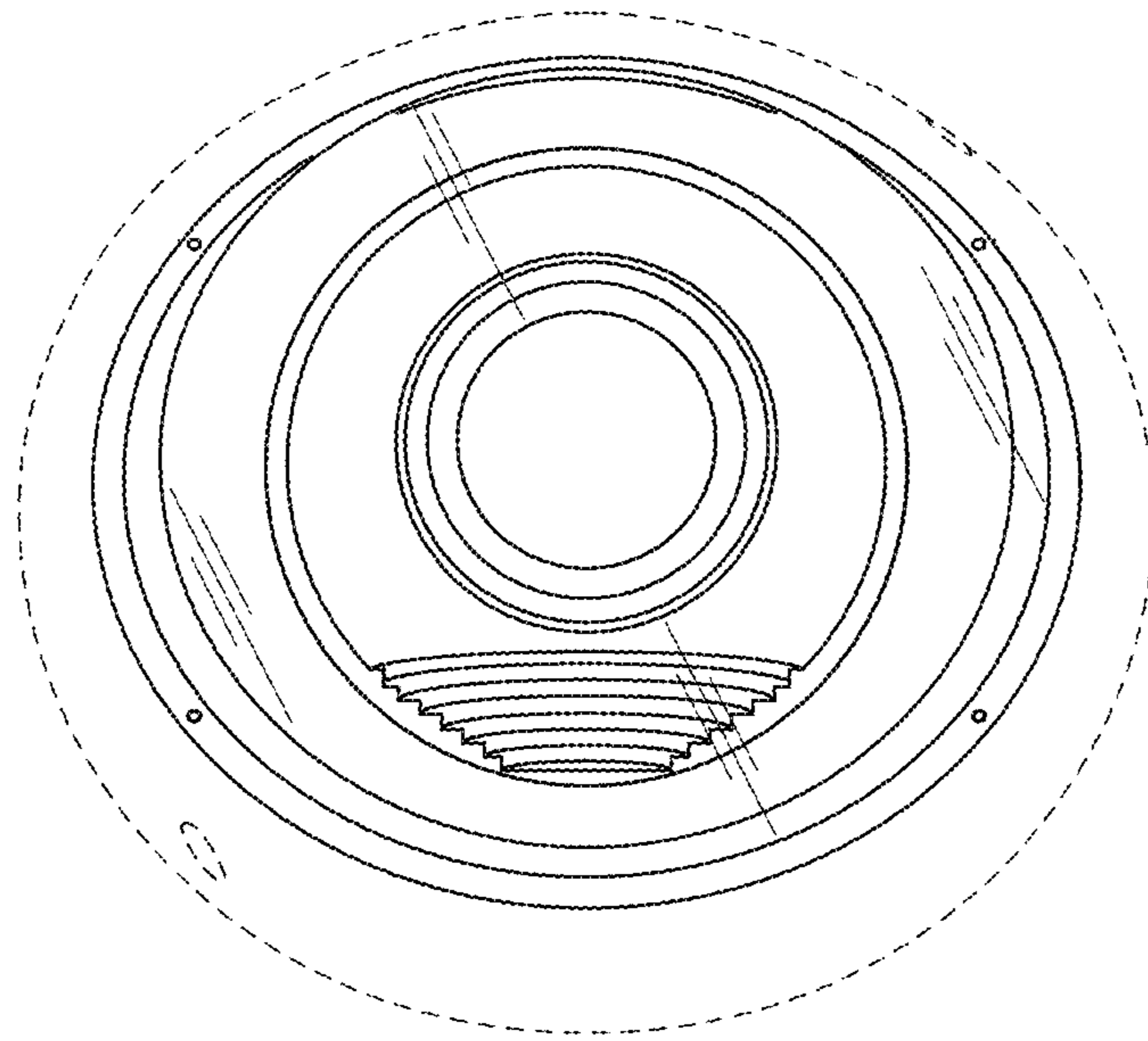


FIG. 2

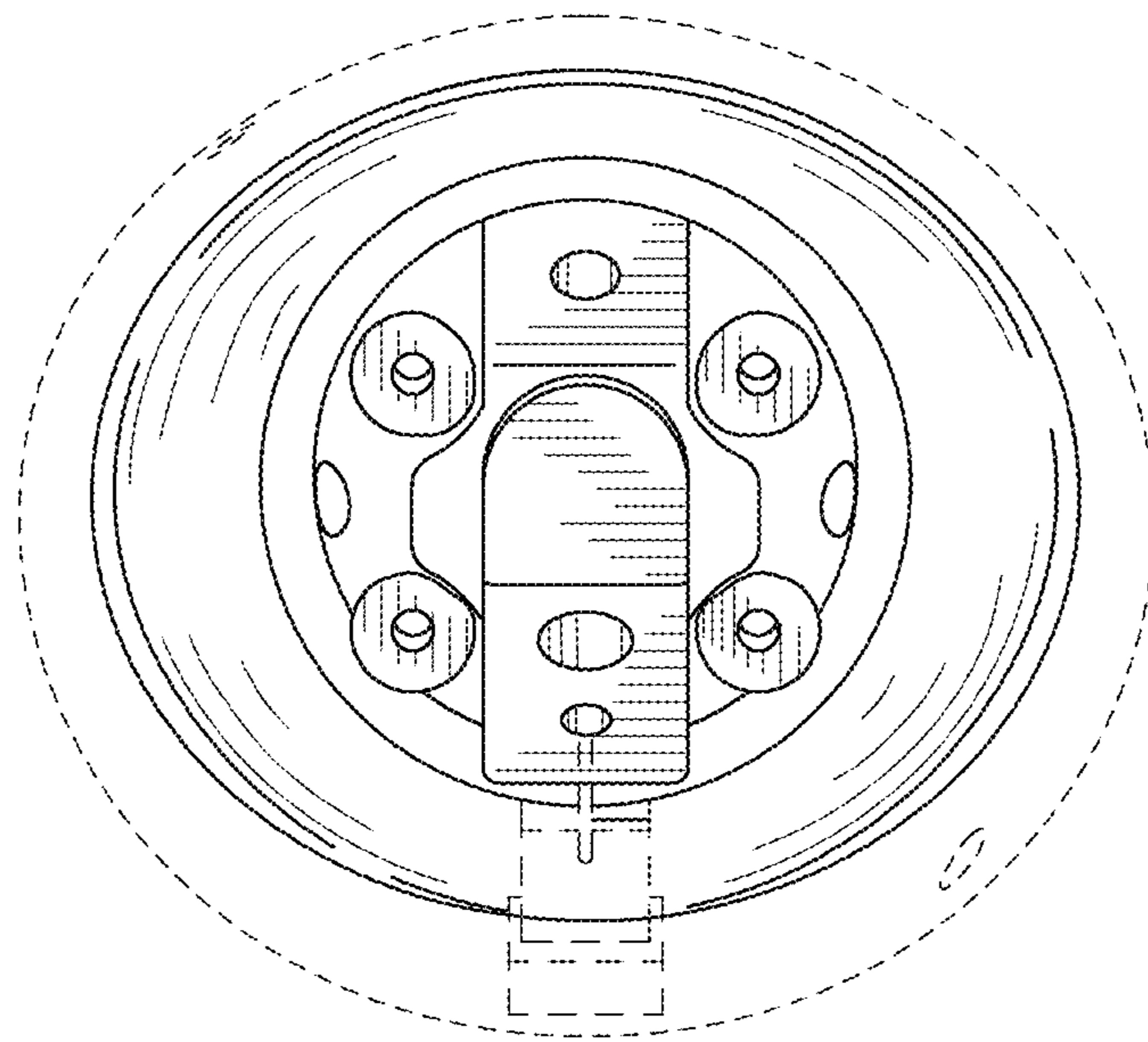


FIG. 3

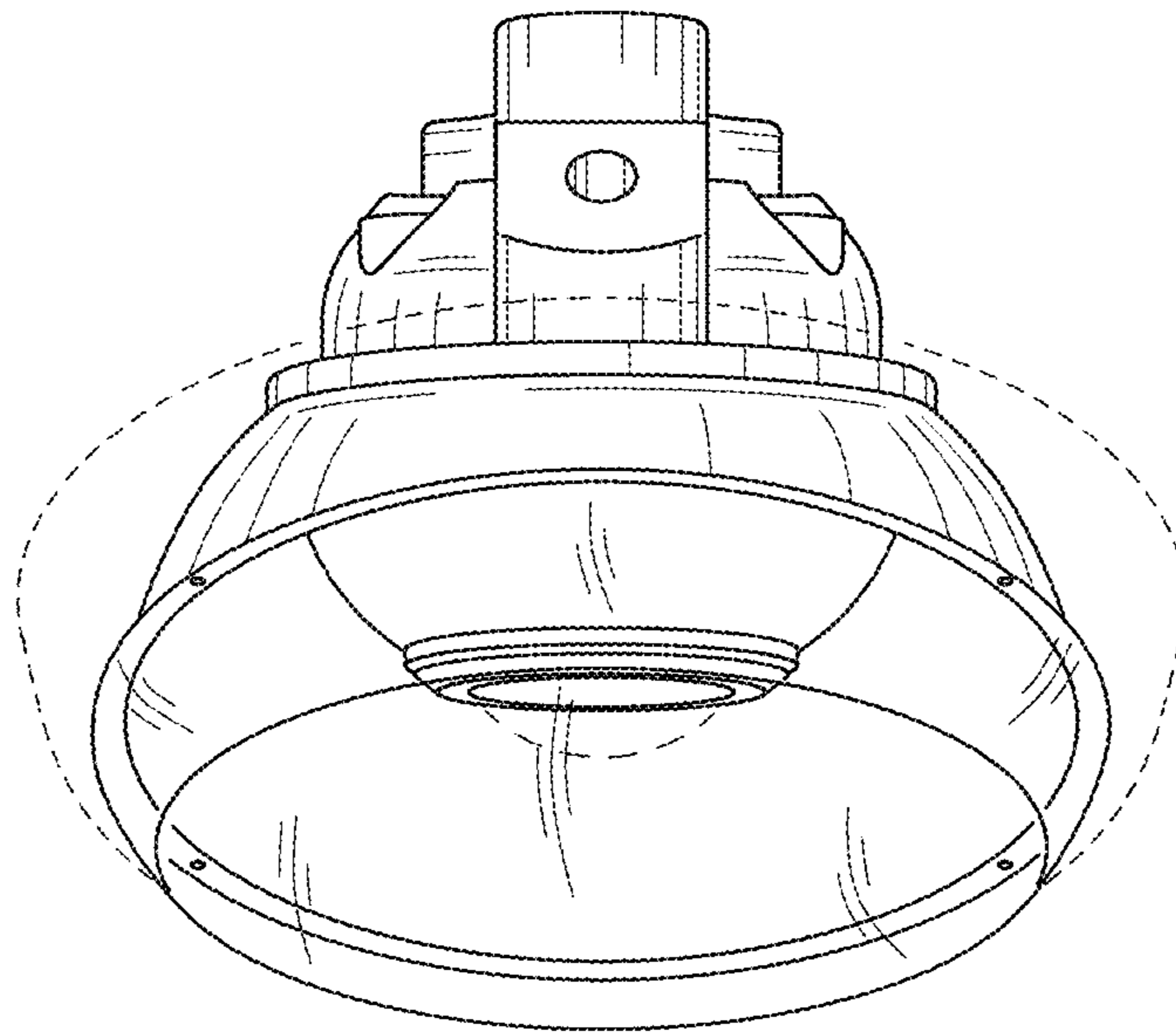


FIG. 4

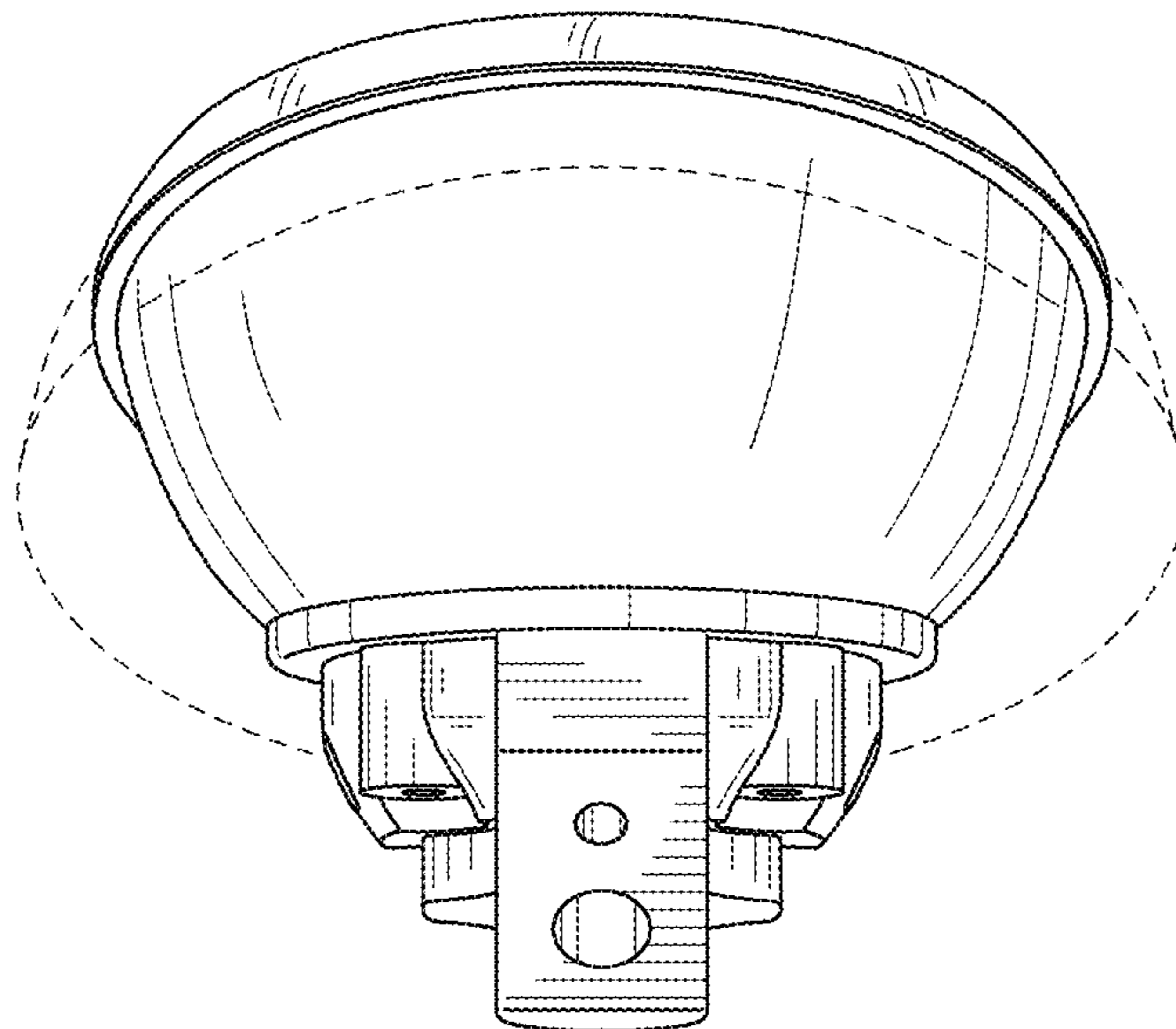


FIG. 5

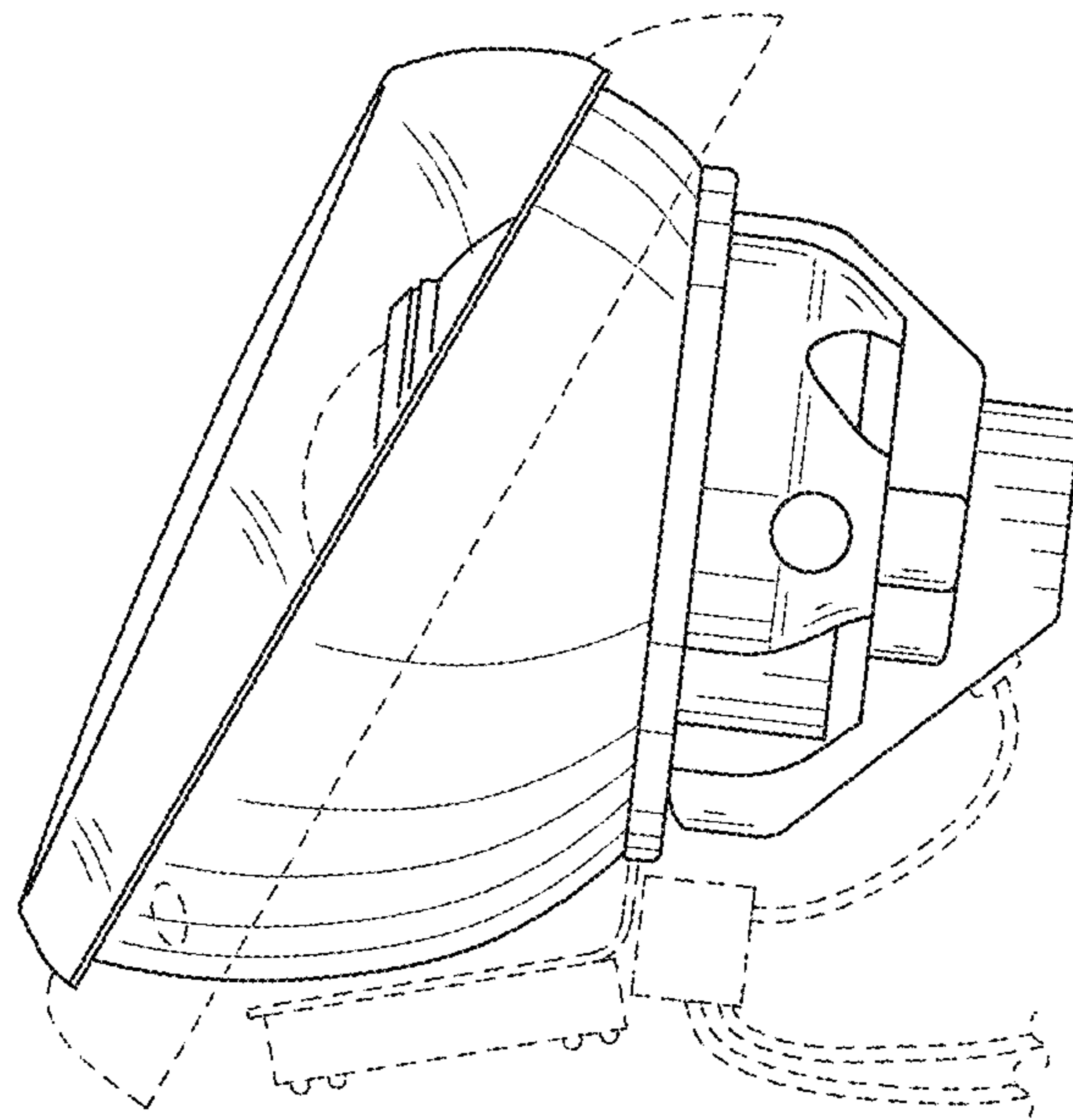


FIG.6

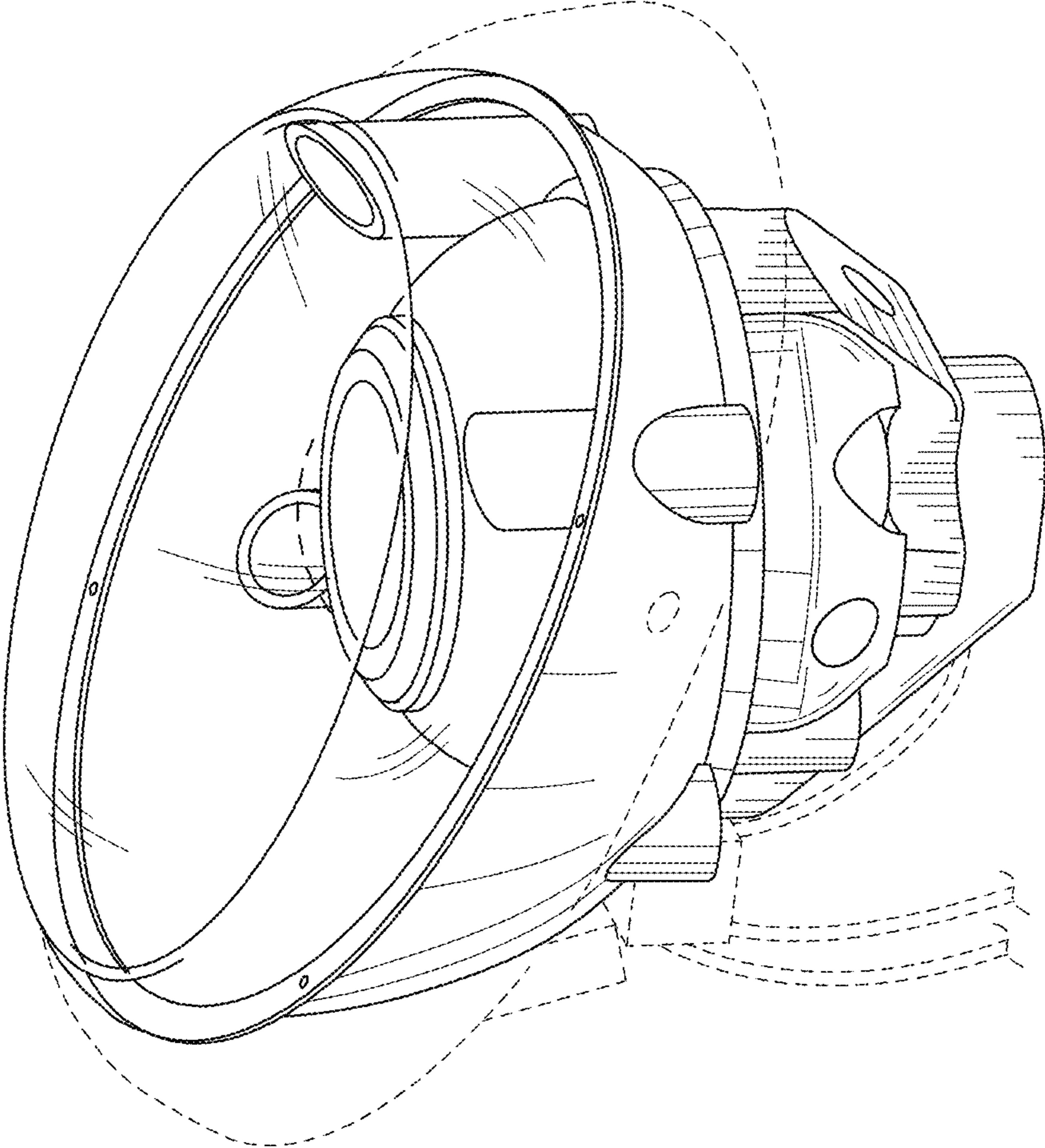


FIG.7

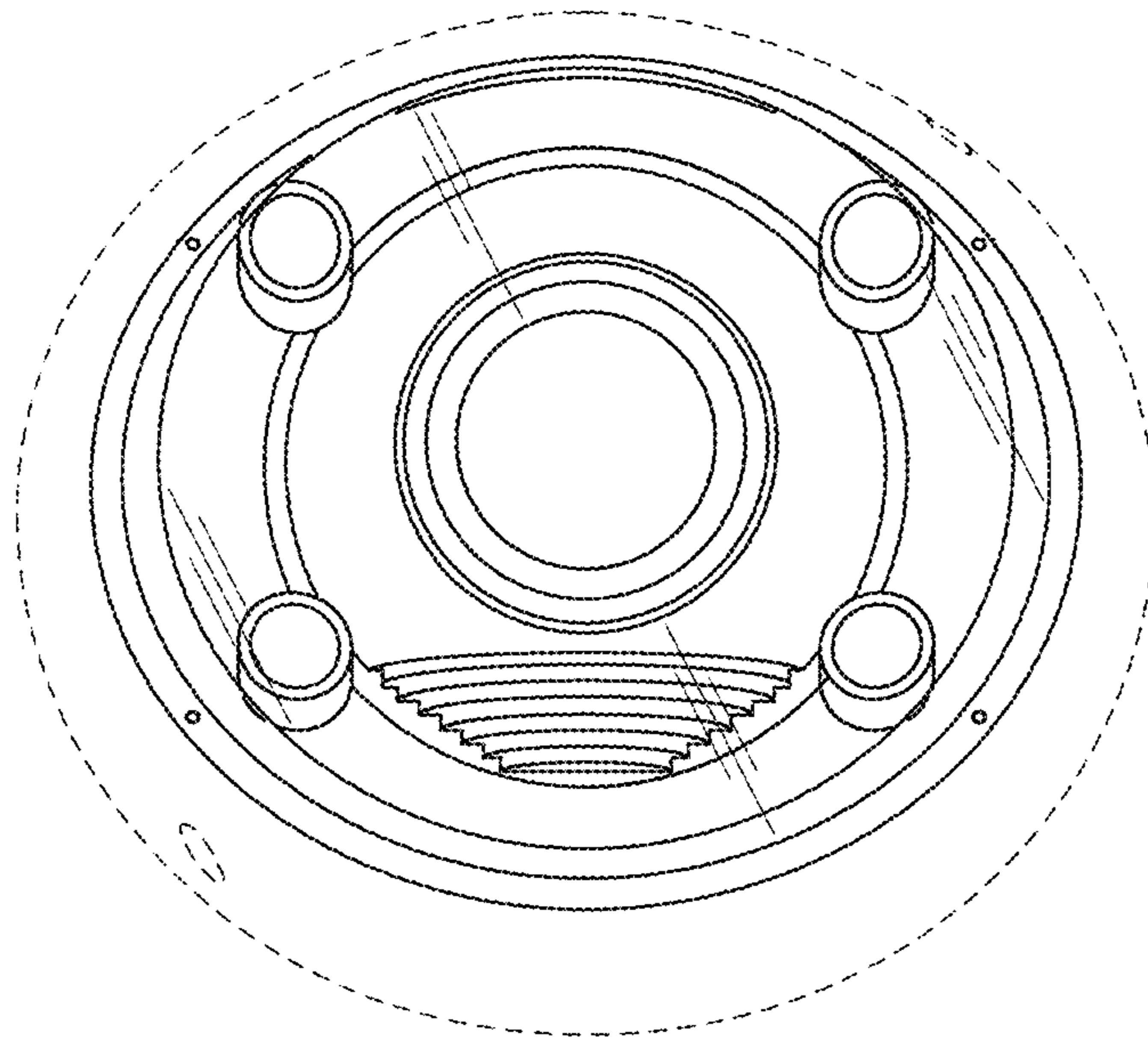


FIG. 8

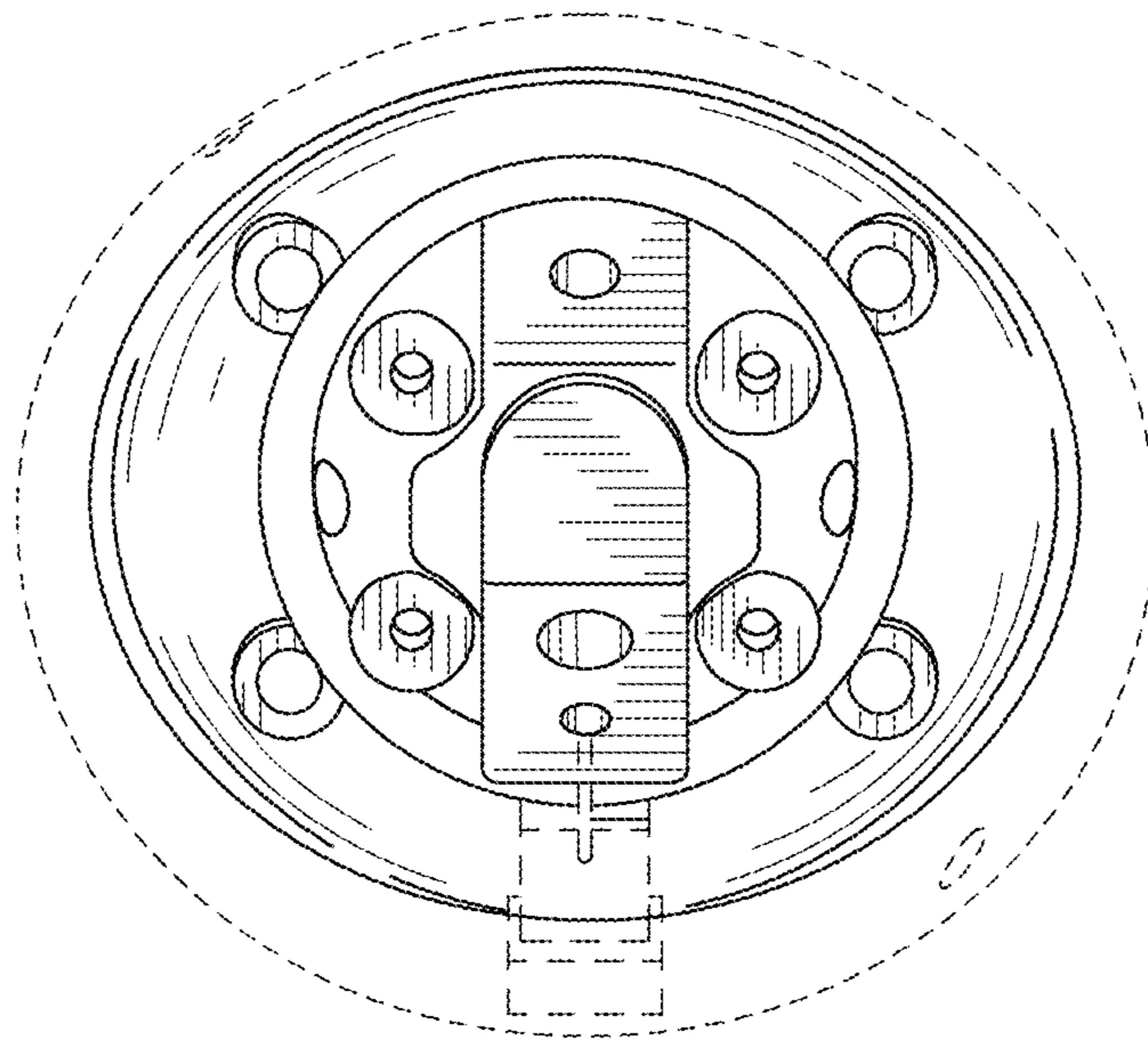


FIG. 9

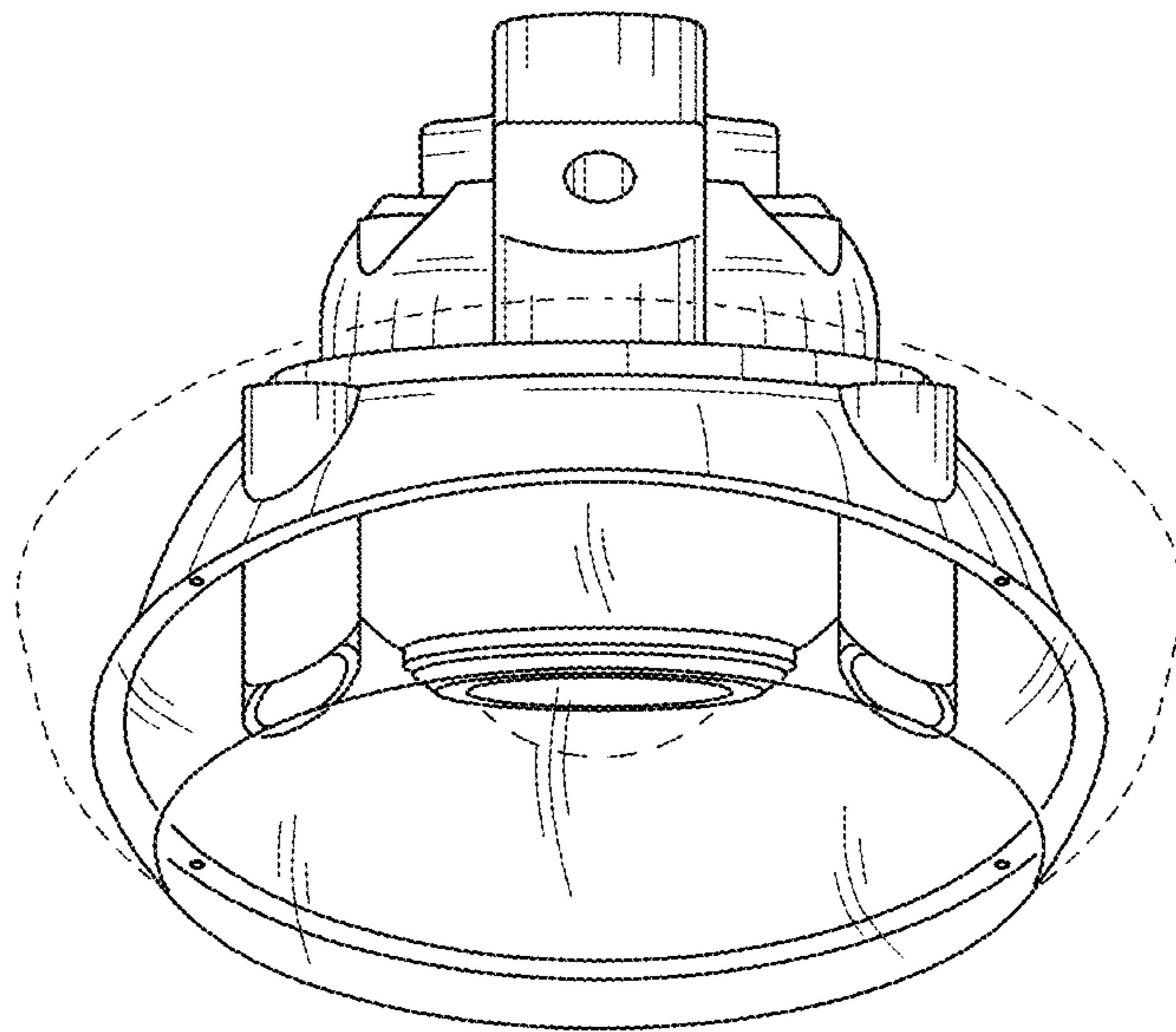


FIG. 10

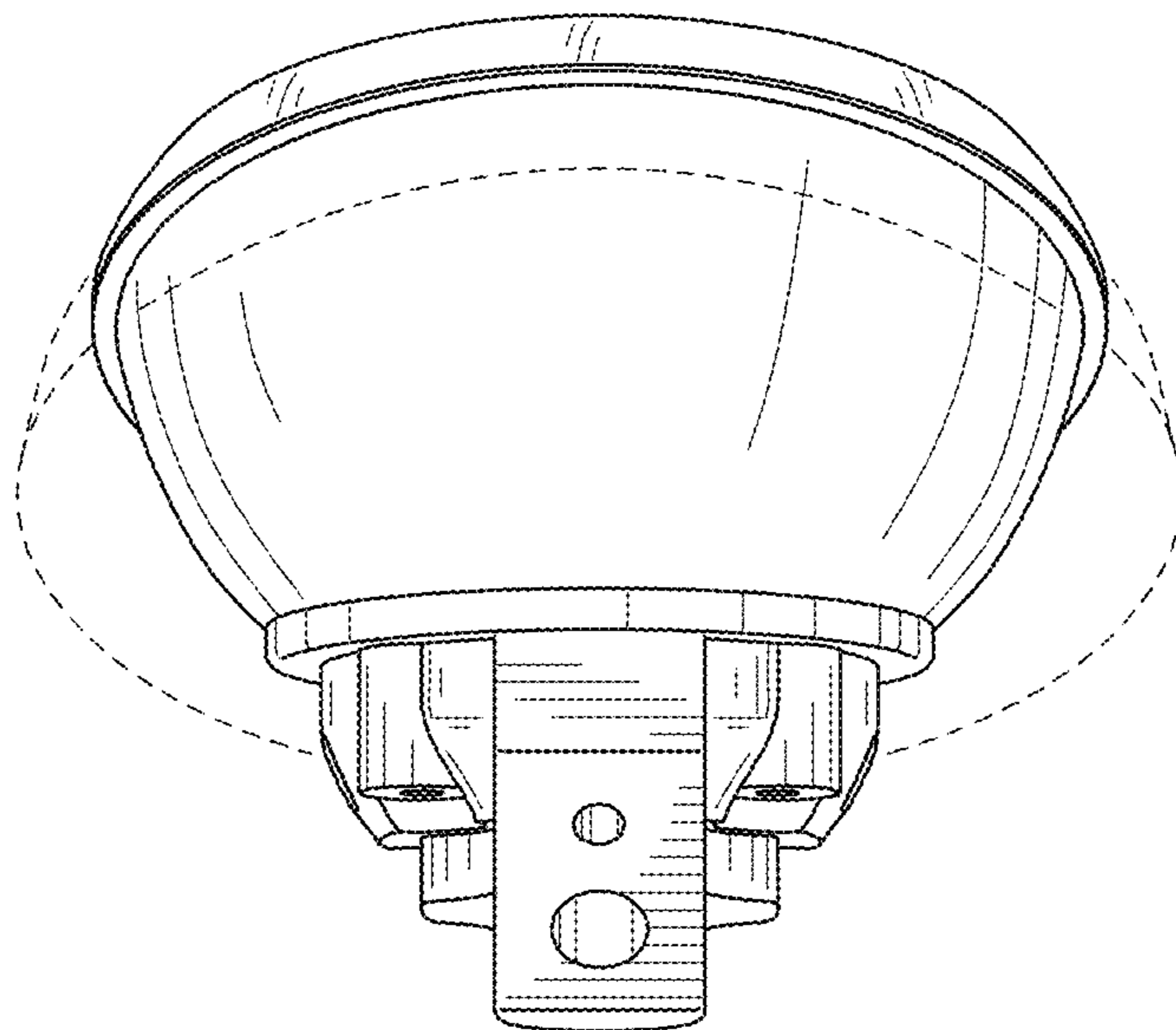


FIG. 11

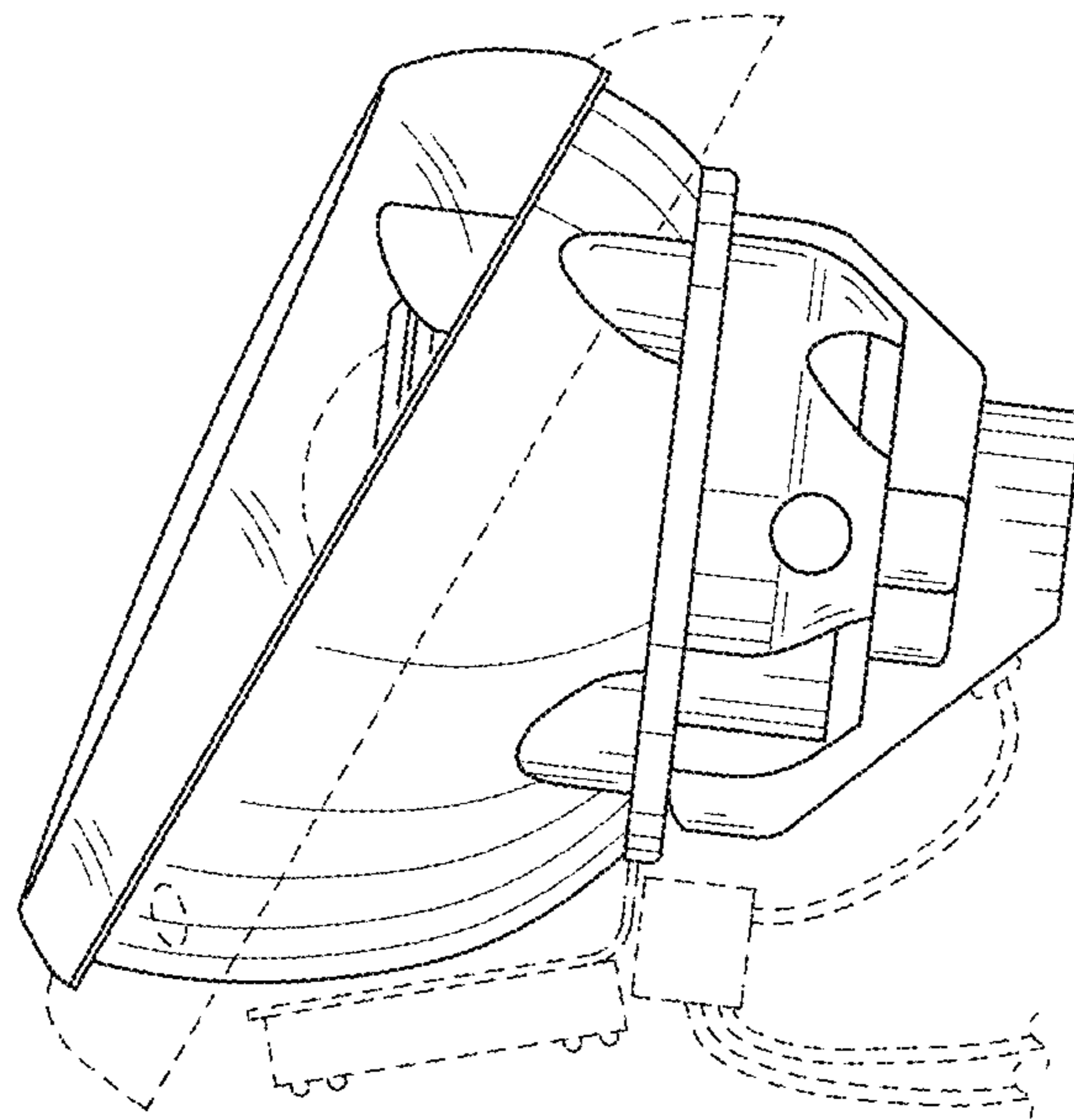


FIG.12