



US00D779691S

(12) **United States Design Patent**
Nagano

(10) **Patent No.:** **US D779,691 S**

(45) **Date of Patent:** **** Feb. 21, 2017**

(54) **HEADLAMP FOR A BICYCLE**

D584,840 S * 1/2009 Okuda D26/28
D678,562 S * 3/2013 Chan D26/28
D715,980 S * 10/2014 Ueda D26/28

(71) Applicant: **Cateye Co., Ltd.**, Osaka (JP)

(72) Inventor: **Toshiyuki Nagano**, Osaka (JP)

(73) Assignee: **Cateye Co., Ltd.**, Osaka (JP)

(**) Term: **15 Years**

(21) Appl. No.: **29/542,983**

(22) Filed: **Oct. 20, 2015**

(30) **Foreign Application Priority Data**

May 12, 2015 (JP) 2015-010272
May 12, 2015 (JP) 2015-010273

(51) **LOC (10) Cl.** **26-06**

(52) **U.S. Cl.**
USPC **D26/28**

(58) **Field of Classification Search**
USPC D26/28-36; 362/80-83, 267-269,
362/459-468, 475-478, 485-487
CPC B62J 6/02; B62J 6/001; B62J 6/003;
F21S 48/00; F21S 48/10; F21S
48/115; F21S 48/225; F21V 21/00; F21V
4/00

See application file for complete search history.

(56) **References Cited**

U.S. PATENT DOCUMENTS

D535,766 S 1/2007 Lee
D540,966 S * 4/2007 Ueda D26/28
D560,834 S * 1/2008 Nagano D26/28

FOREIGN PATENT DOCUMENTS

JP D1274321 6/2006
TW D131780 11/2009
TW D171597 11/2015

* cited by examiner

Primary Examiner — Marcus Jackson

(74) *Attorney, Agent, or Firm* — Arnstein & Lehr LLP

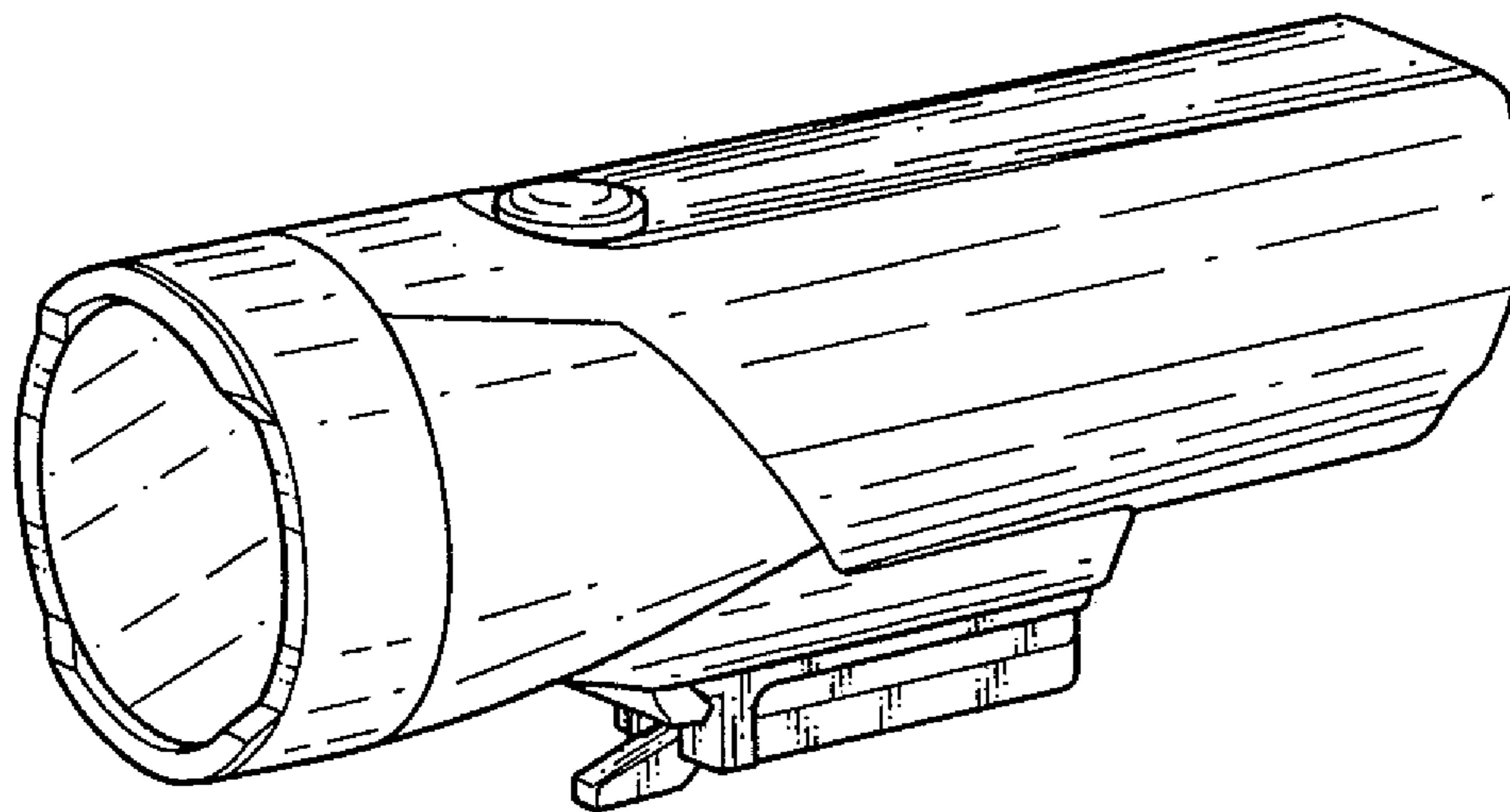
(57) **CLAIM**

The ornamental design for a headlamp for a bicycle, as shown.

DESCRIPTION

FIG. 1 is a perspective view of a headlamp for a bicycle of Embodiment 1 showing my new design; FIG. 2 is a front view thereof; FIG. 3 is a rear view thereof; FIG. 4 is a top plan view thereof; FIG. 5 is a bottom plan view thereof; FIG. 6 is a right side view thereof; FIG. 7 is a left side view thereof; FIG. 8 is a perspective view of a headlamp for a bicycle of Embodiment 2 showing my new design; FIG. 9 is a front view thereof; FIG. 10 is a rear view thereof; FIG. 11 is a top plan view thereof; FIG. 12 is a bottom plan view thereof; FIG. 13 is a right side view thereof; and, FIG. 14 is a left side view thereof.

1 Claim, 10 Drawing Sheets



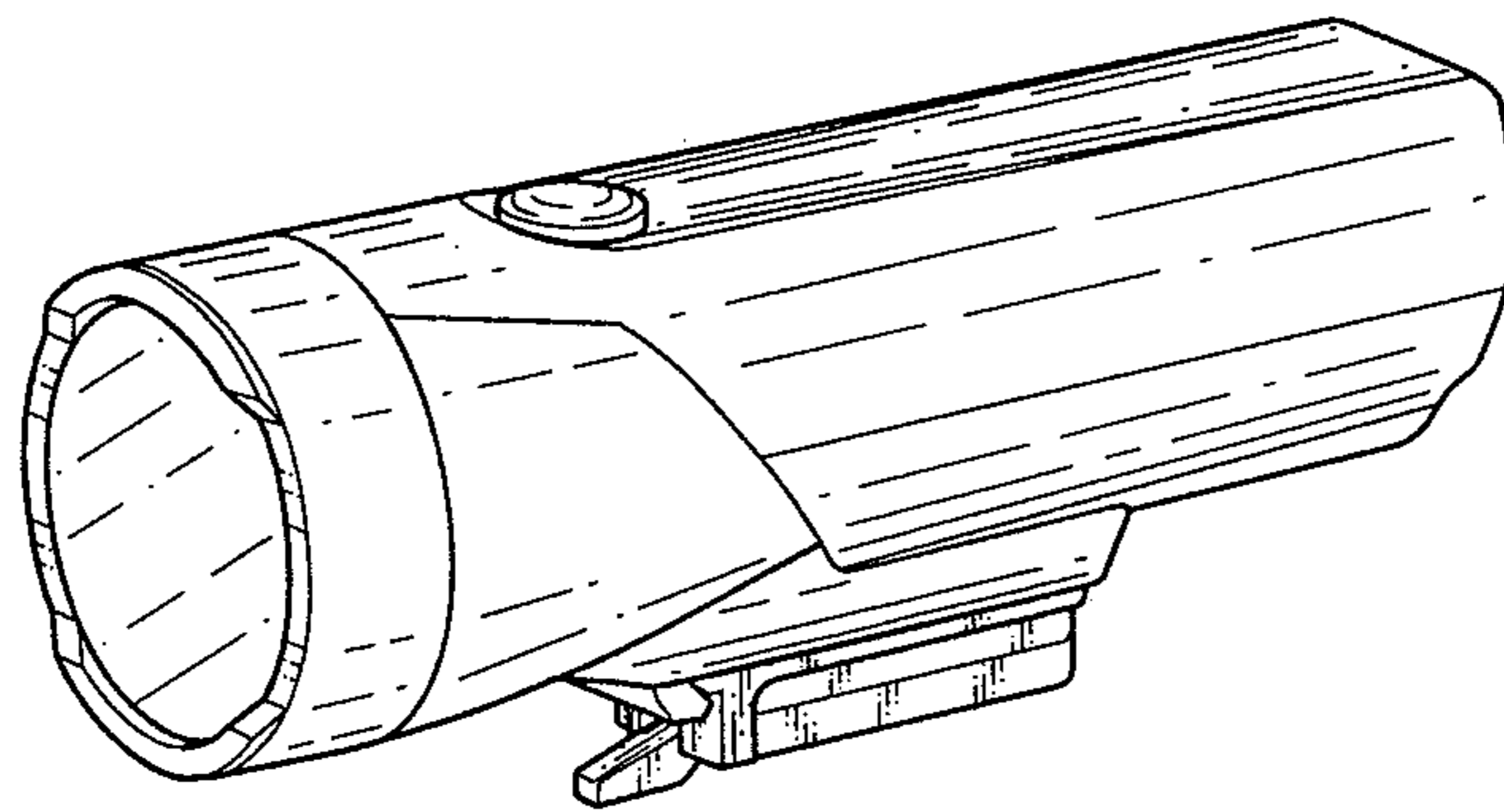


Fig. 1

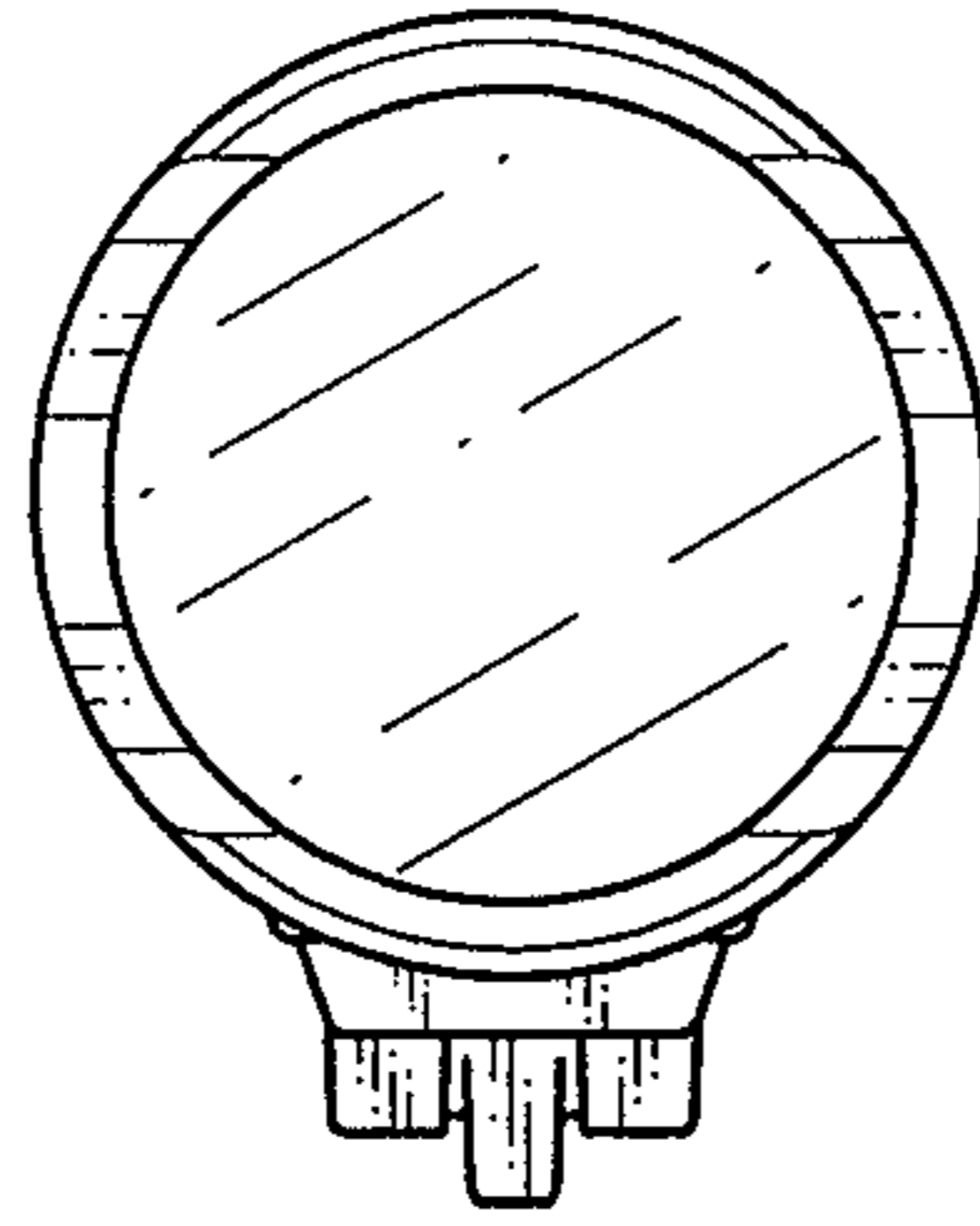


Fig. 2

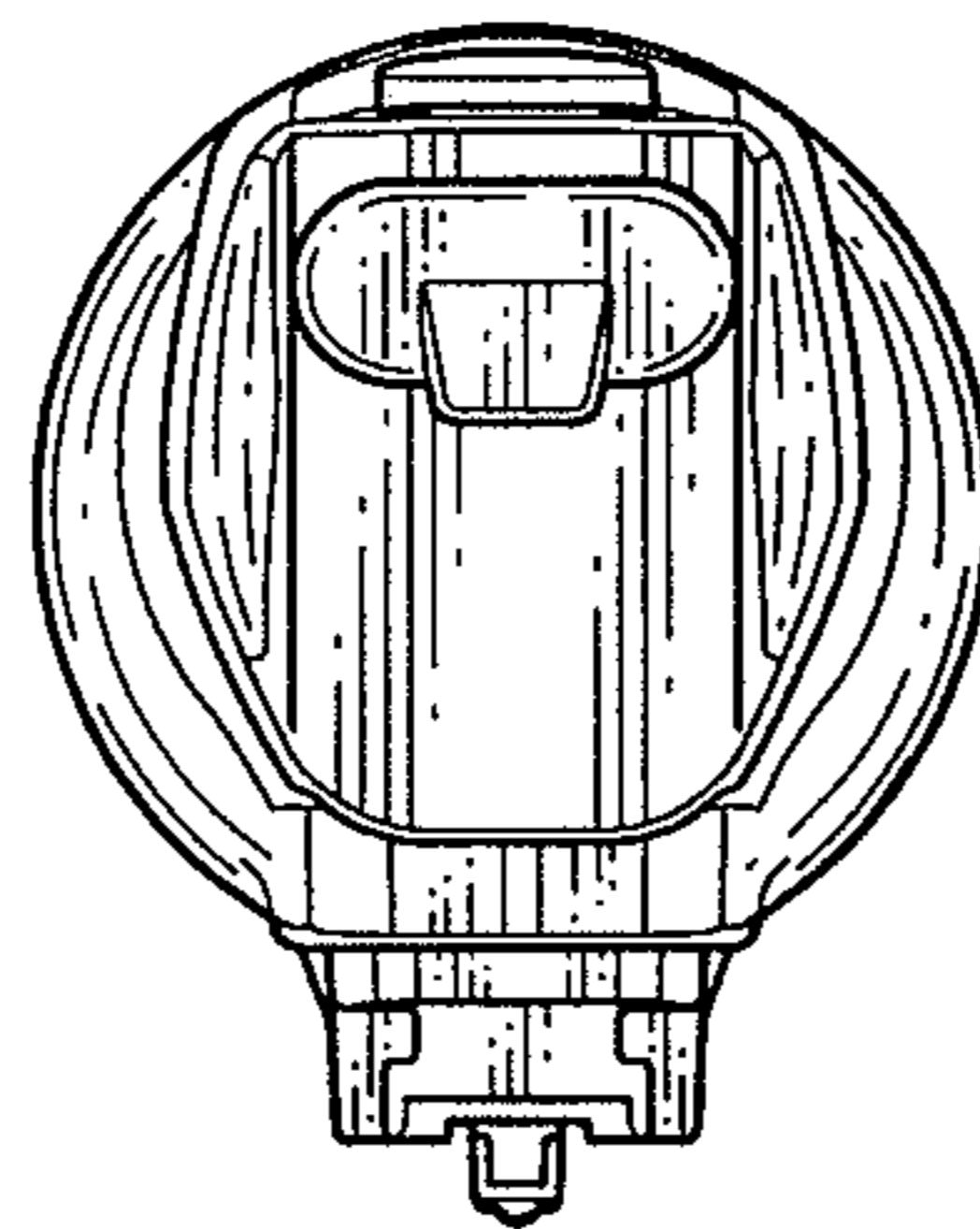


Fig. 3

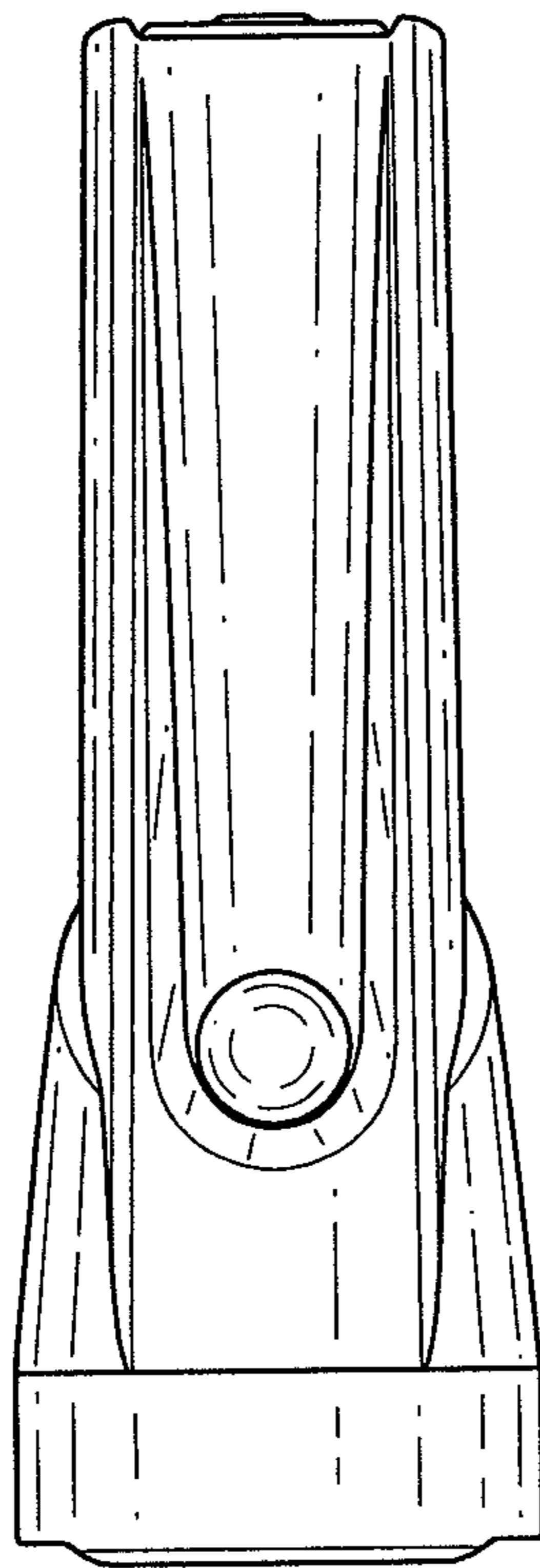


Fig. 4

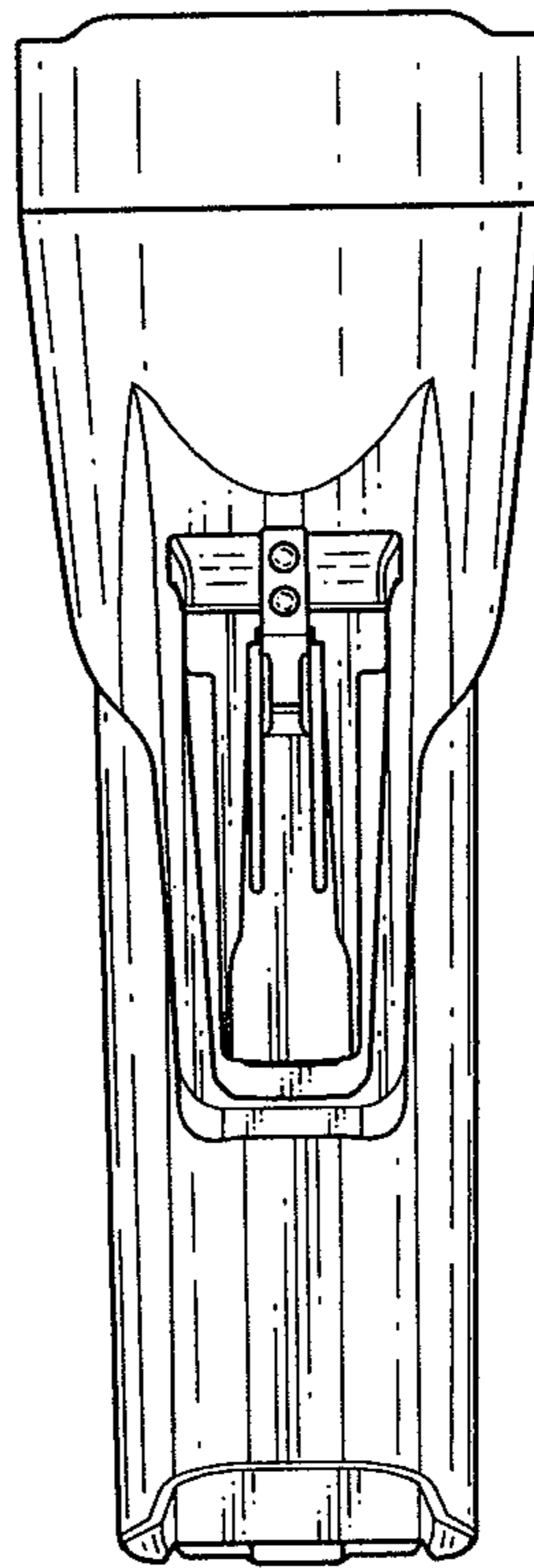


Fig. 5

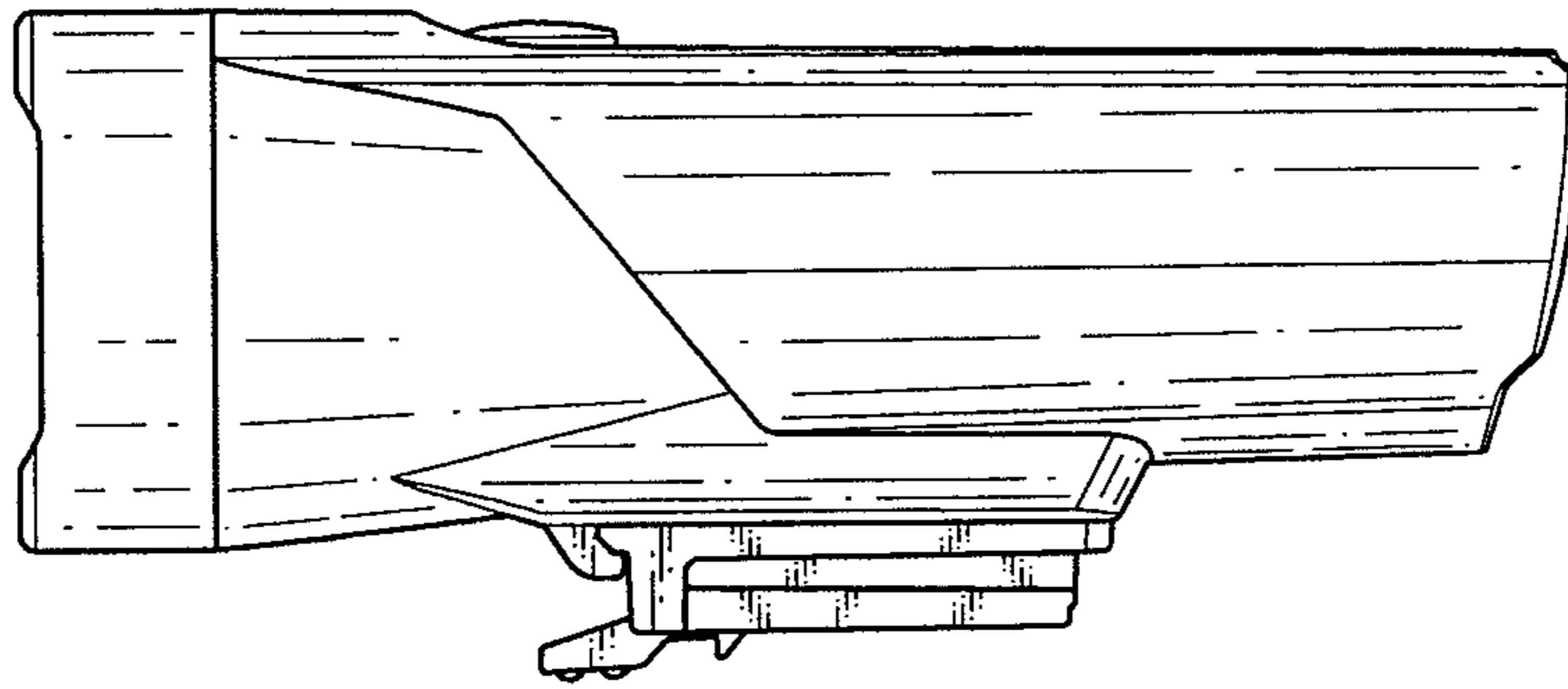


Fig. 6

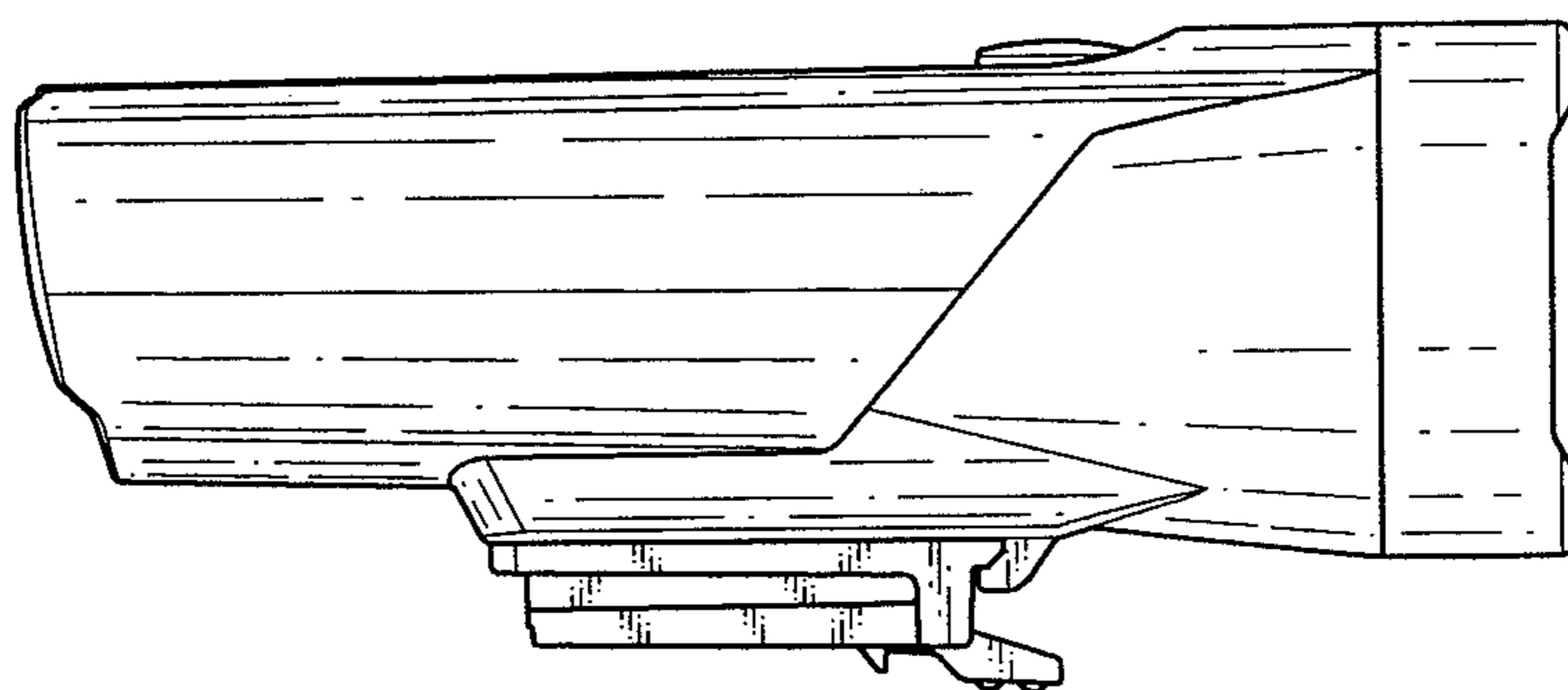


Fig. 7

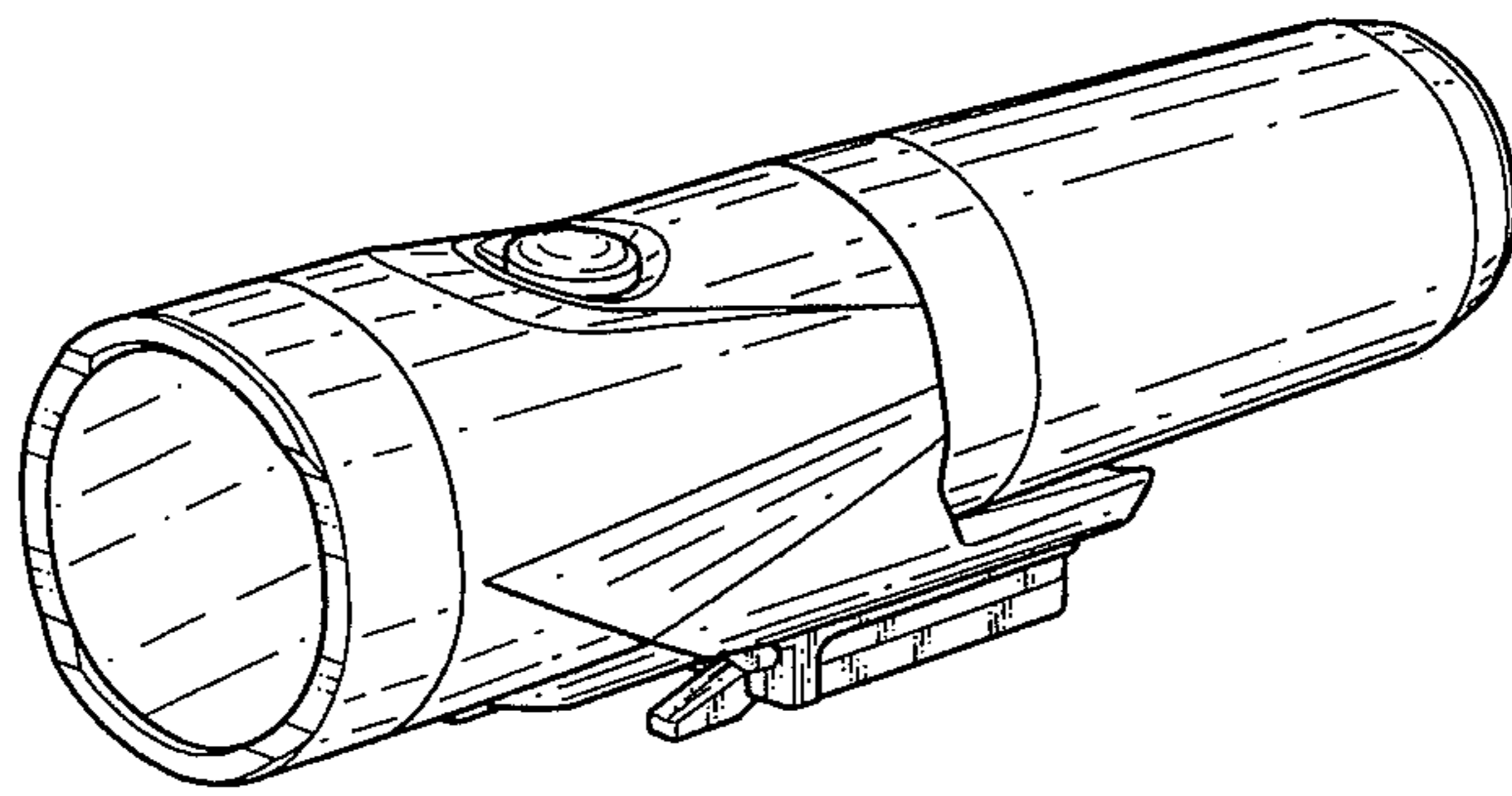


Fig. 8

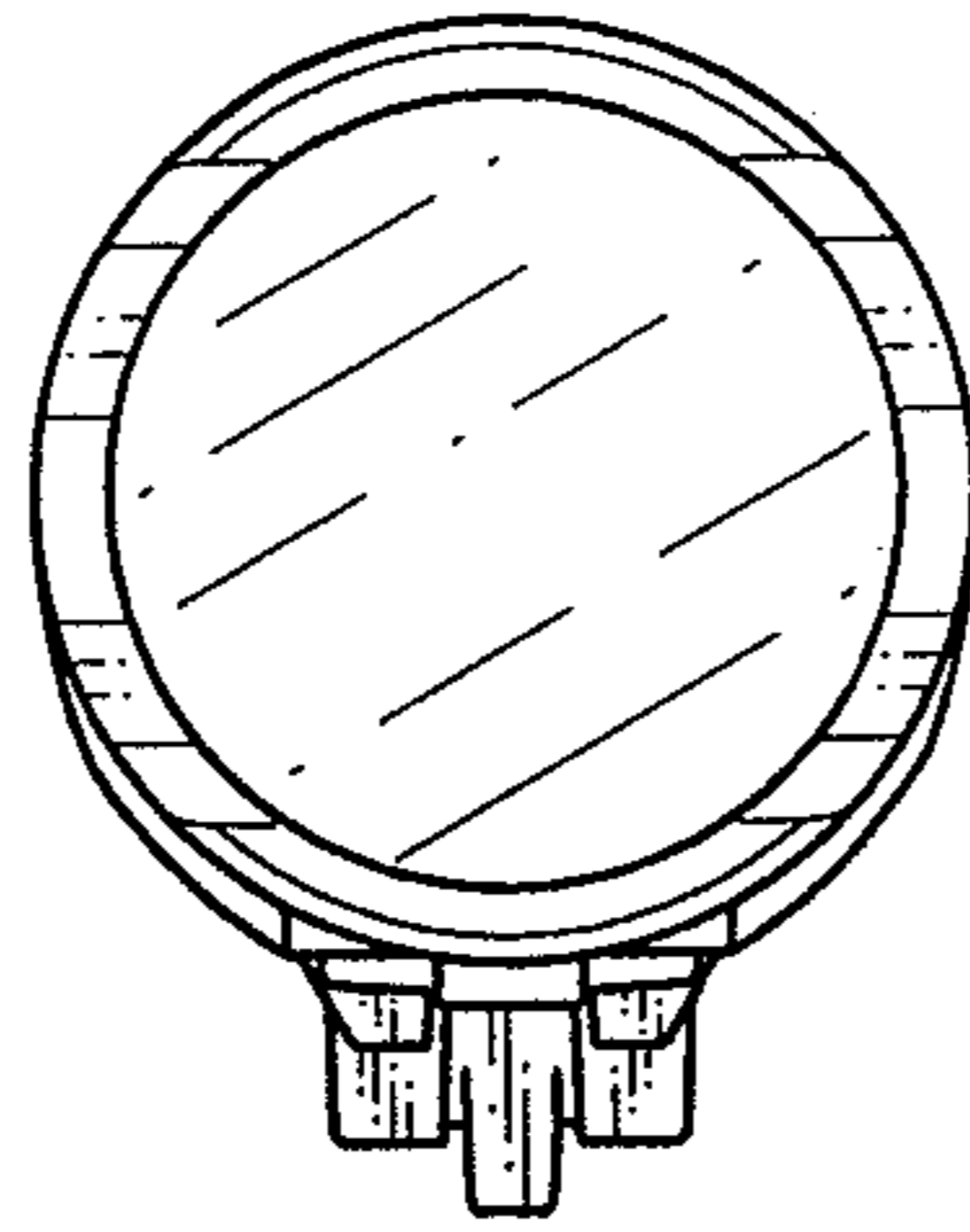


Fig. 9

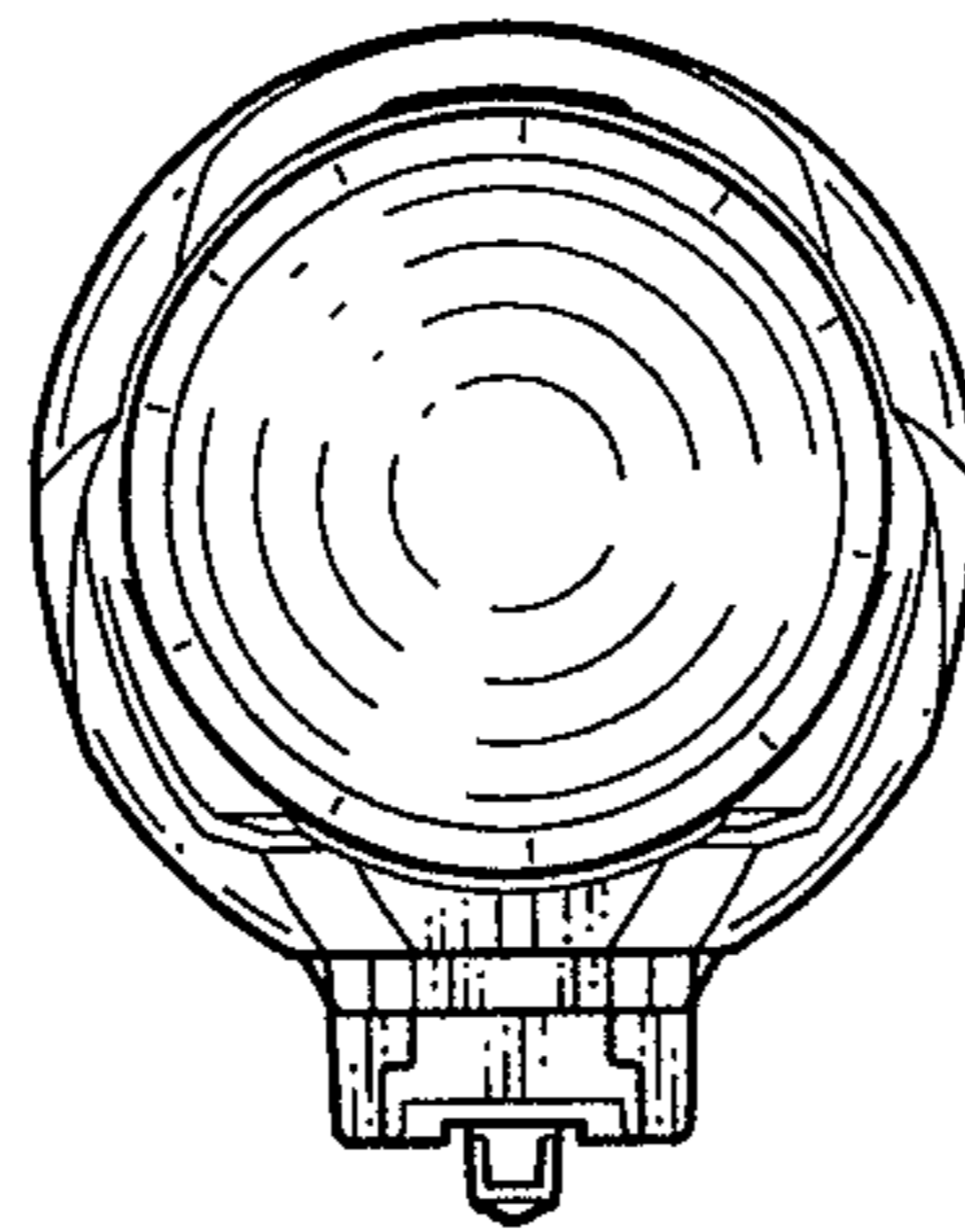


Fig. 10

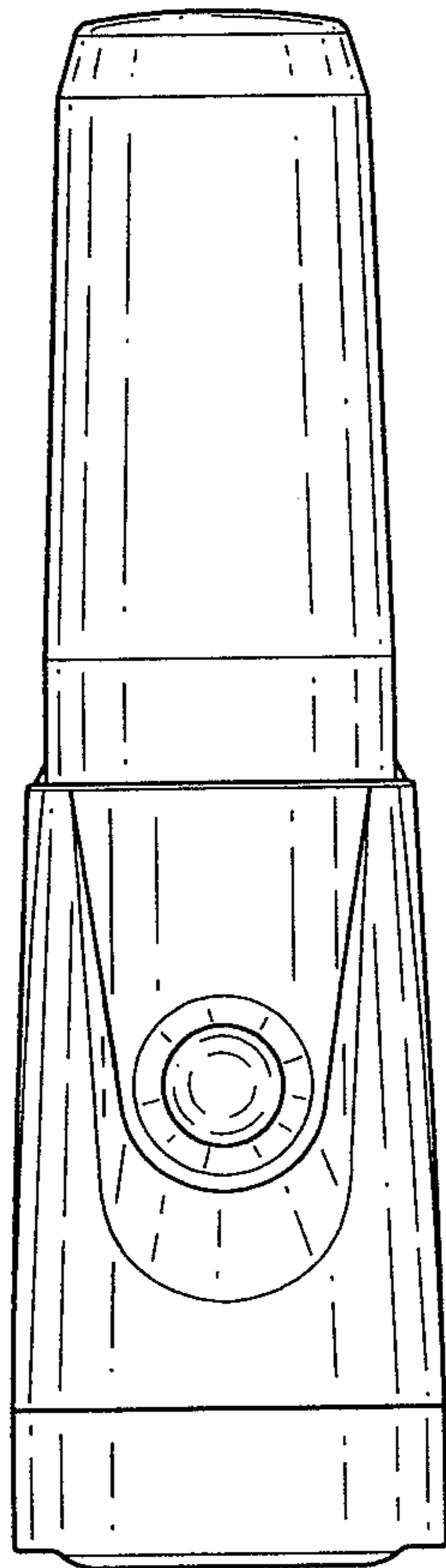


Fig. 11

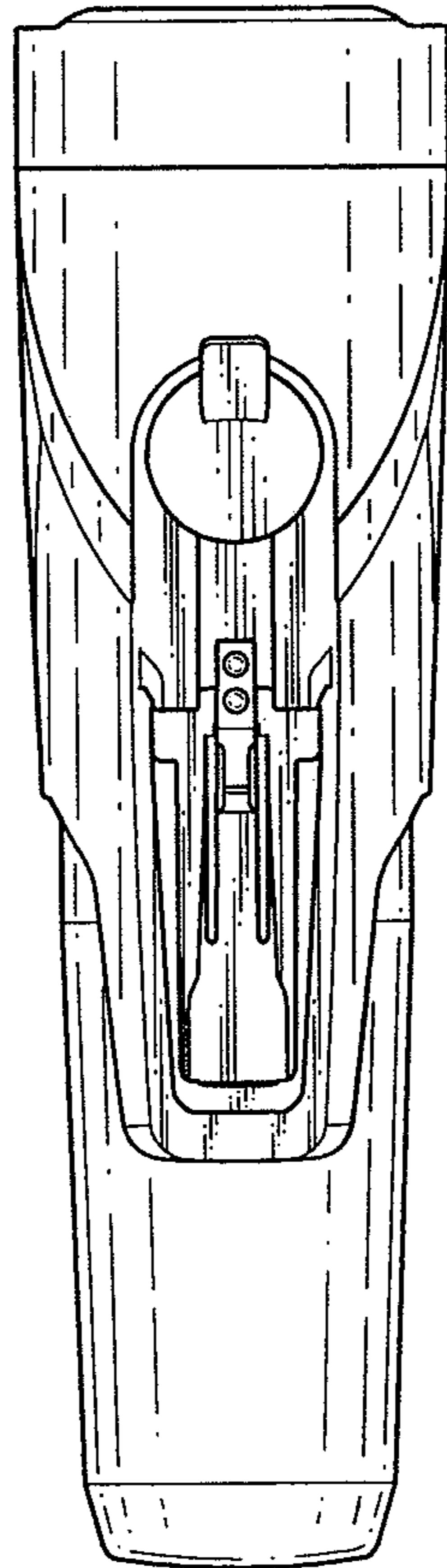


Fig. 12

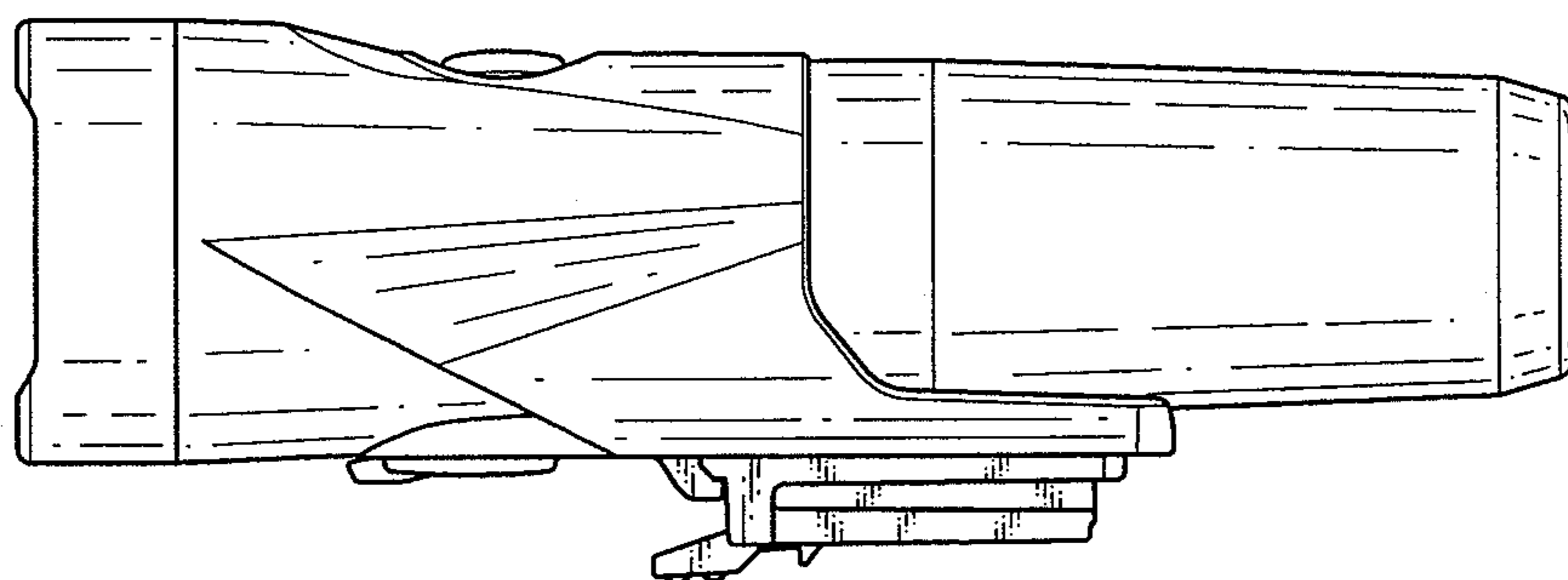


Fig. 13

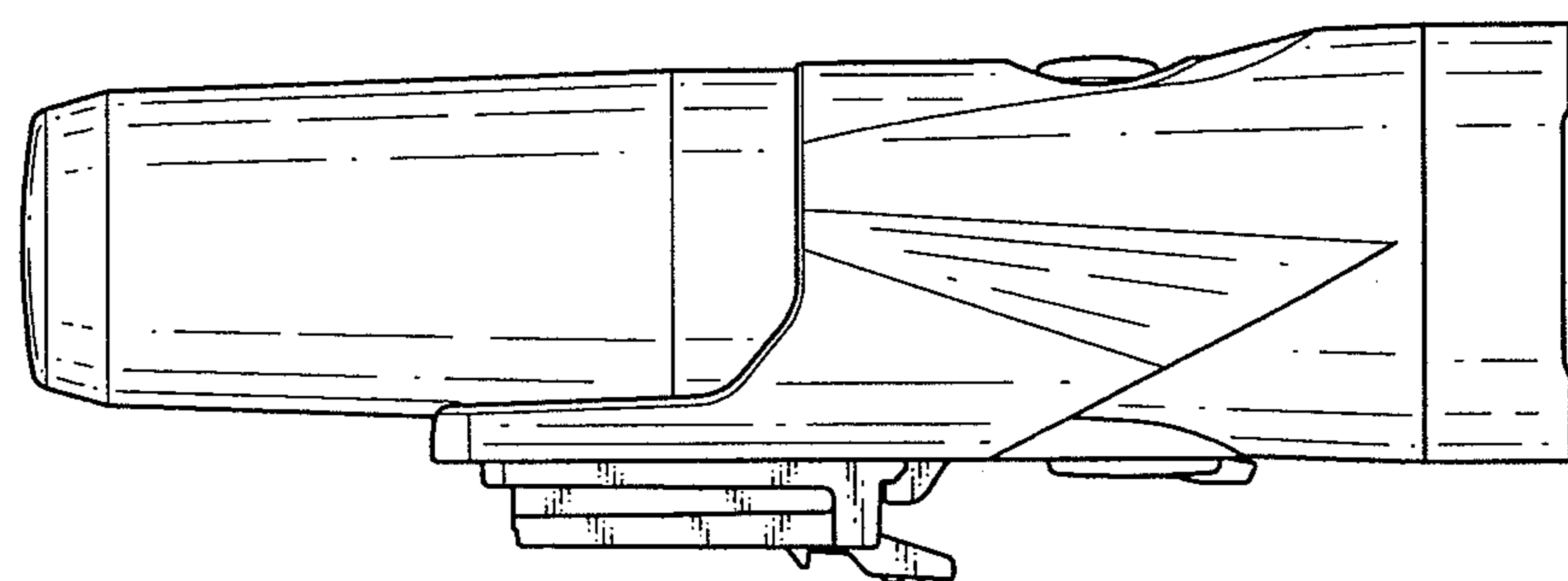


Fig. 14