



US00D779689S

(12) **United States Design Patent**
Funakubo et al.

(10) **Patent No.:** **US D779,689 S**

(45) **Date of Patent:** **** Feb. 21, 2017**

(54) **LIGHT SOURCE**

CPC H01J 5/00; H01J 5/48; H01J 19/54; H01J 31/02; H10J 5/50; F21V 5/00; H01R 5/00; H01R 5/16; H01R 13/46

(71) Applicants: **CITIZEN ELECTRONICS CO., LTD.**, Yamanashi-ken (JP); **CITIZEN HOLDINGS CO., LTD.**, Tokyo (JP)

See application file for complete search history.

(72) Inventors: **Takuya Funakubo**, Yamanashi-ken (JP); **Yuichi Miura**, Yamanashi-ken (JP)

(56) **References Cited**

U.S. PATENT DOCUMENTS

(73) Assignees: **CITIZEN ELECTRONICS CO., LTD.**, Yamanashi-ken (JP); **CITIZEN WATCH CO., LTD.**, Tokyo (JP)

D528,996 S *	9/2006	Egawa	D13/180
D573,553 S *	7/2008	Uemoto	D13/180
D577,690 S *	9/2008	Shida	D13/180
D598,401 S	8/2009	Takada et al.	
D622,876 S *	8/2010	Takahashi	D26/1

(**) Term: **15 Years**

* cited by examiner

(21) Appl. No.: **29/538,282**

Primary Examiner — Marcus Jackson

(22) Filed: **Sep. 2, 2015**

(74) *Attorney, Agent, or Firm* — Browdy and Neimark, PLLC

Related U.S. Application Data

(62) Division of application No. 29/461,604, filed on Jul. 25, 2013, now Pat. No. Des. 742,553.

(57) **CLAIM**

The ornamental design for light source, as shown and described.

Foreign Application Priority Data

(30)	Jan. 27, 2013	(JP)	2013-001432
	Jan. 27, 2013	(JP)	2013-001433
	Jan. 27, 2013	(JP)	2013-001434
	Jan. 27, 2013	(JP)	2013-001435
	Jan. 27, 2013	(JP)	2013-001436

DESCRIPTION

FIG. 1 is a top perspective view of a light source showing the claimed design;
FIG. 2 is a bottom perspective view thereof;
FIG. 3 is a front view thereof;
FIG. 4 is a rear view thereof;
FIG. 5 is a top plan view thereof;
FIG. 6 is a bottom plan view thereof; and,
FIG. 7 is a left side view thereof, a right side view opposite the left side view being identical to FIG. 7.
The broken lines shown herein are for illustrative purpose only and form no part of the claimed design.

(51) **LOC (10) Cl.** **26-04**

(52) **U.S. Cl.**
USPC **D26/1; D13/180**

(58) **Field of Classification Search**
USPC D26/1-4; 313/313, 315, 316, 317, 318, 313/493; 315/52, 53, 56, 57, 58

1 Claim, 6 Drawing Sheets

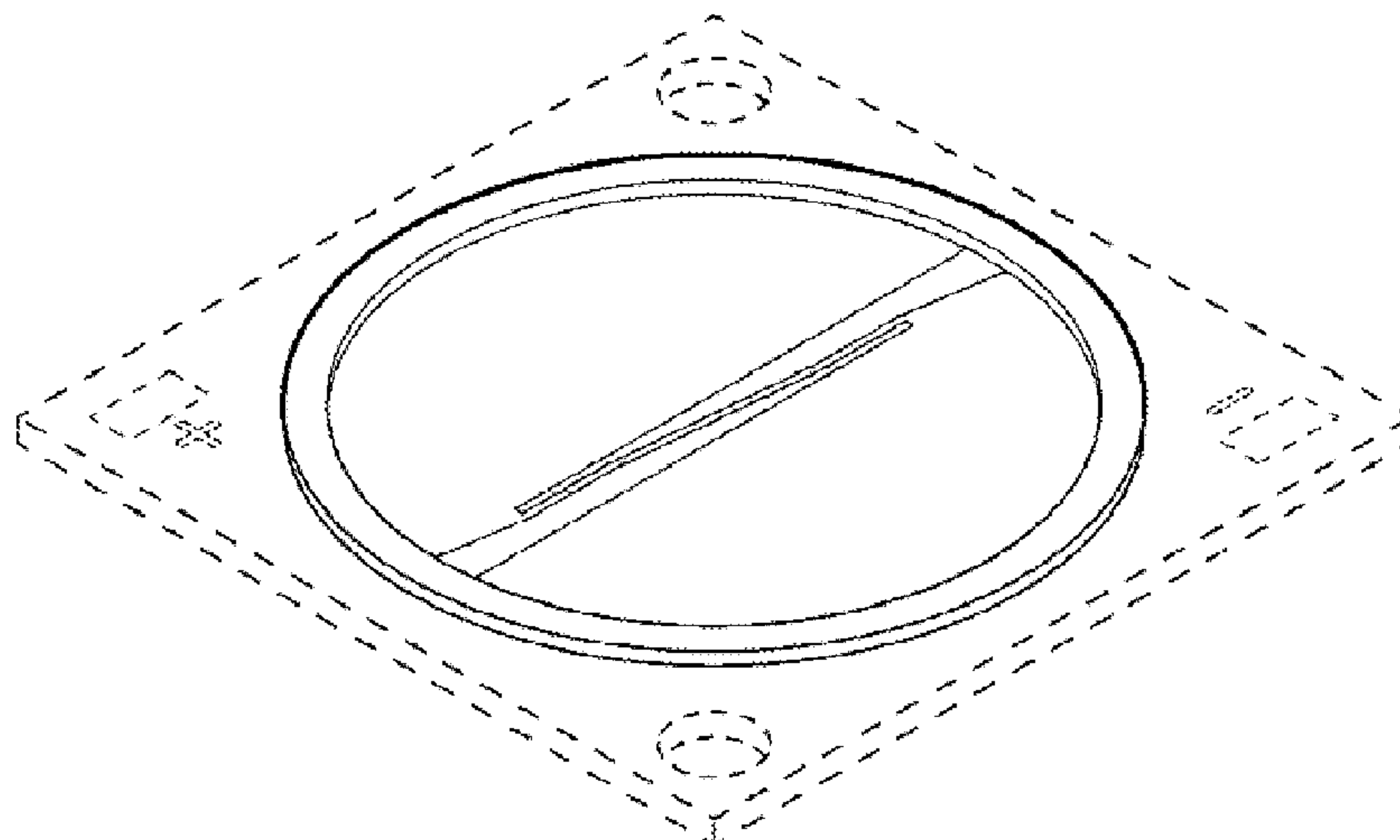


Fig. 1

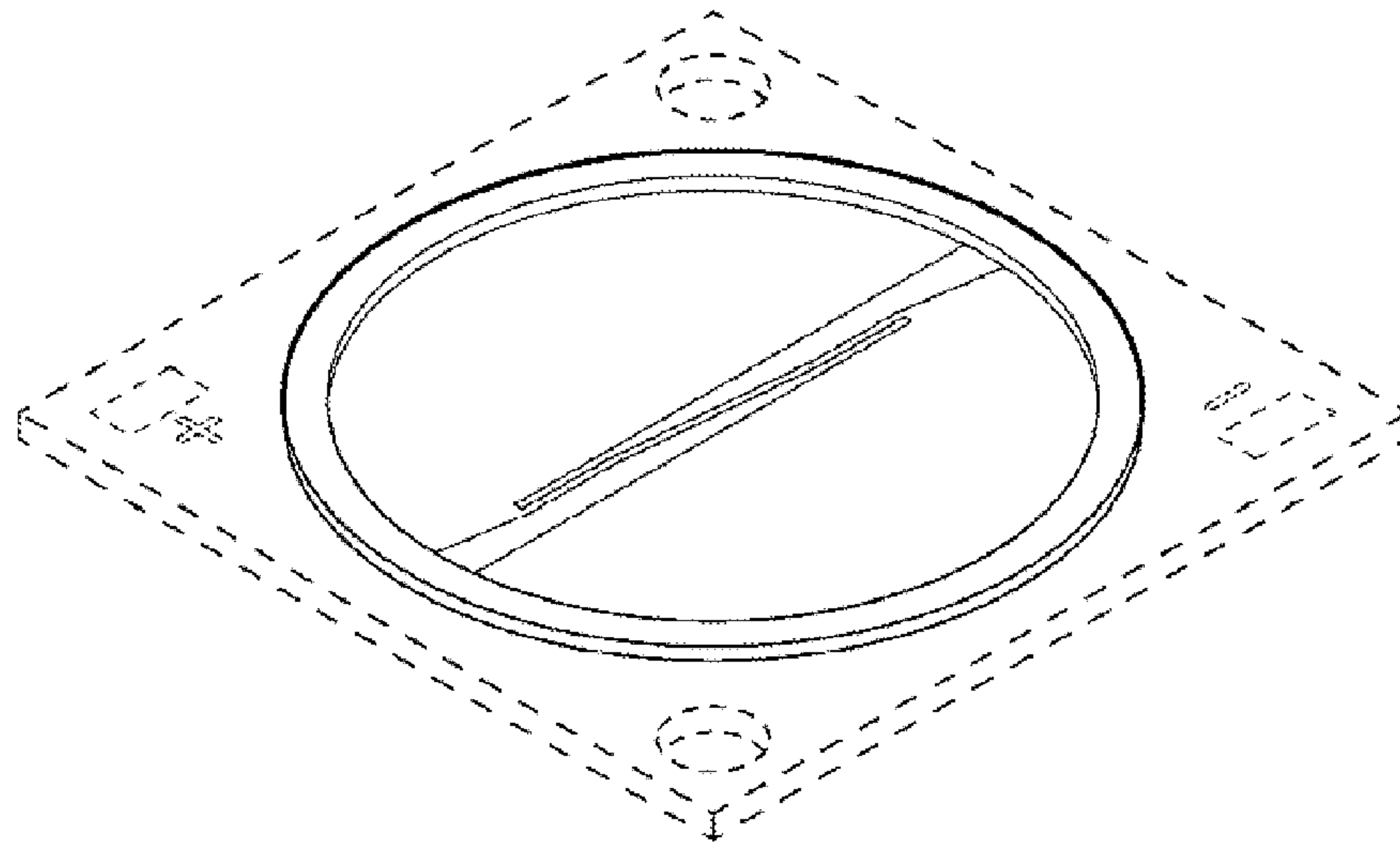


Fig. 2

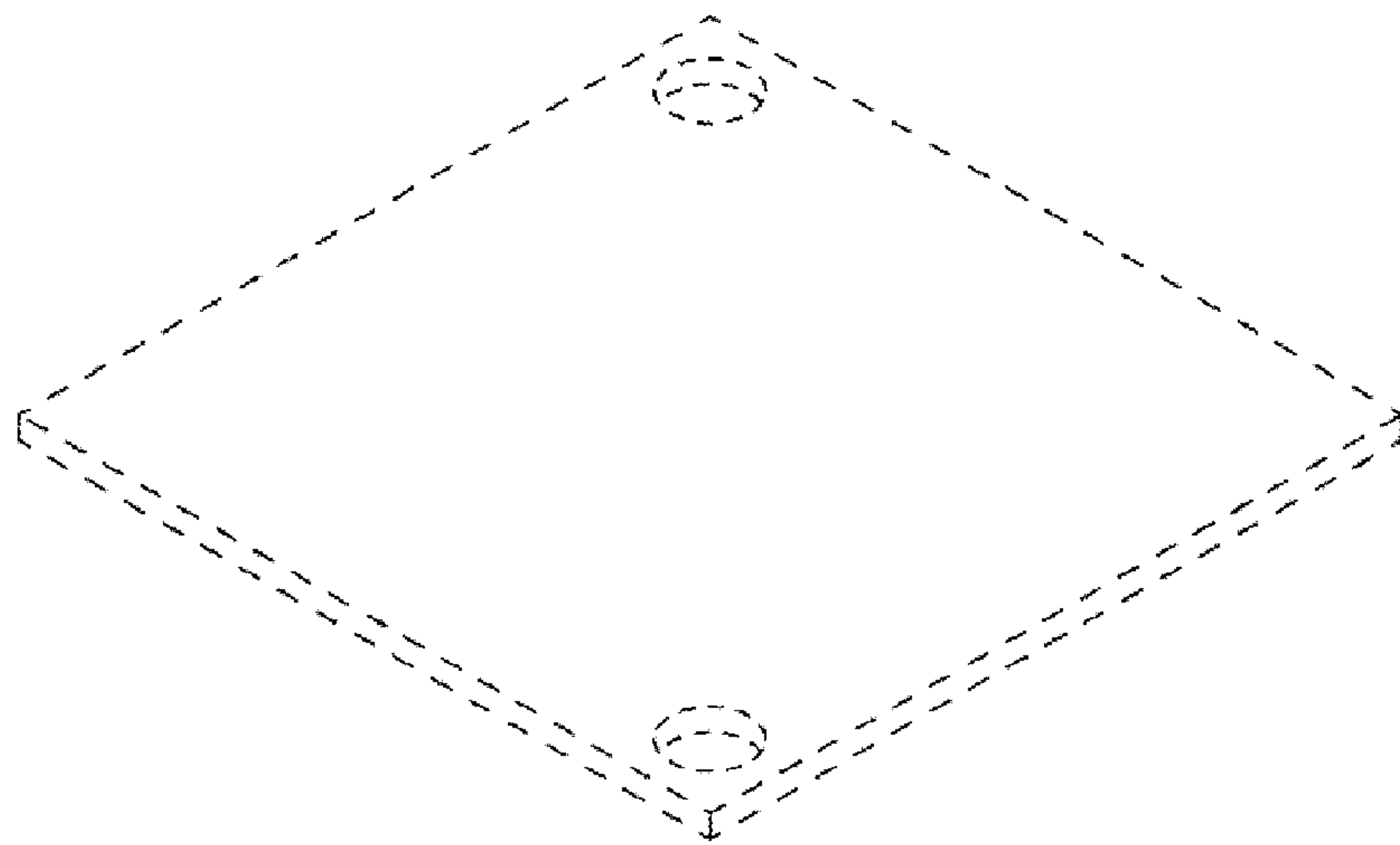


Fig. 3

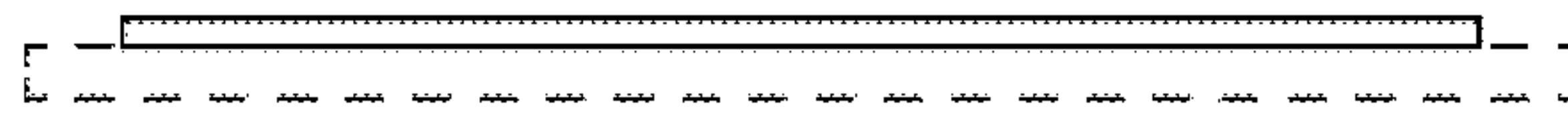


Fig. 4

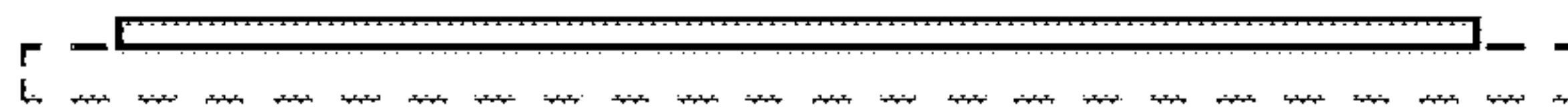


Fig. 5

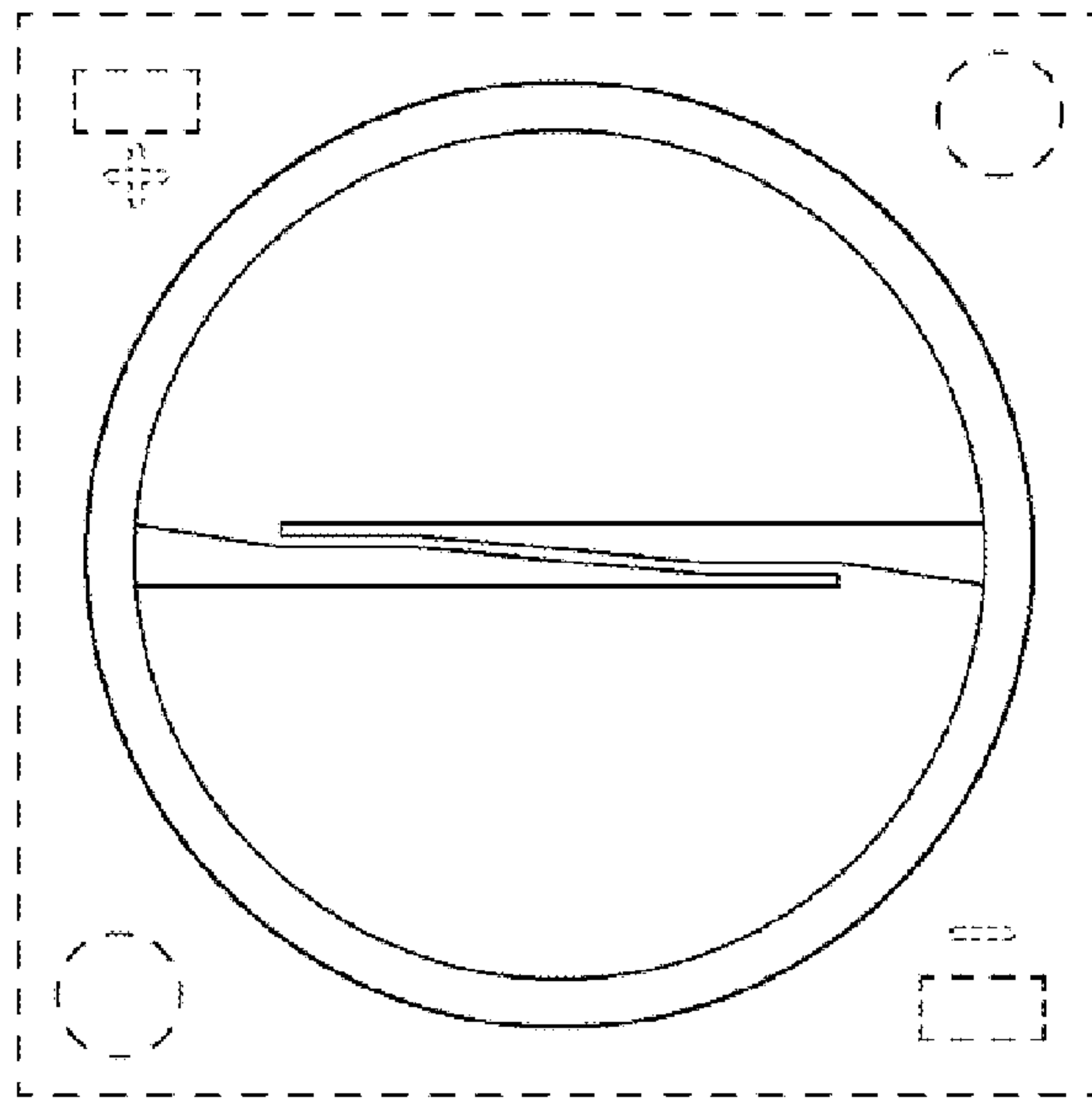


Fig. 6

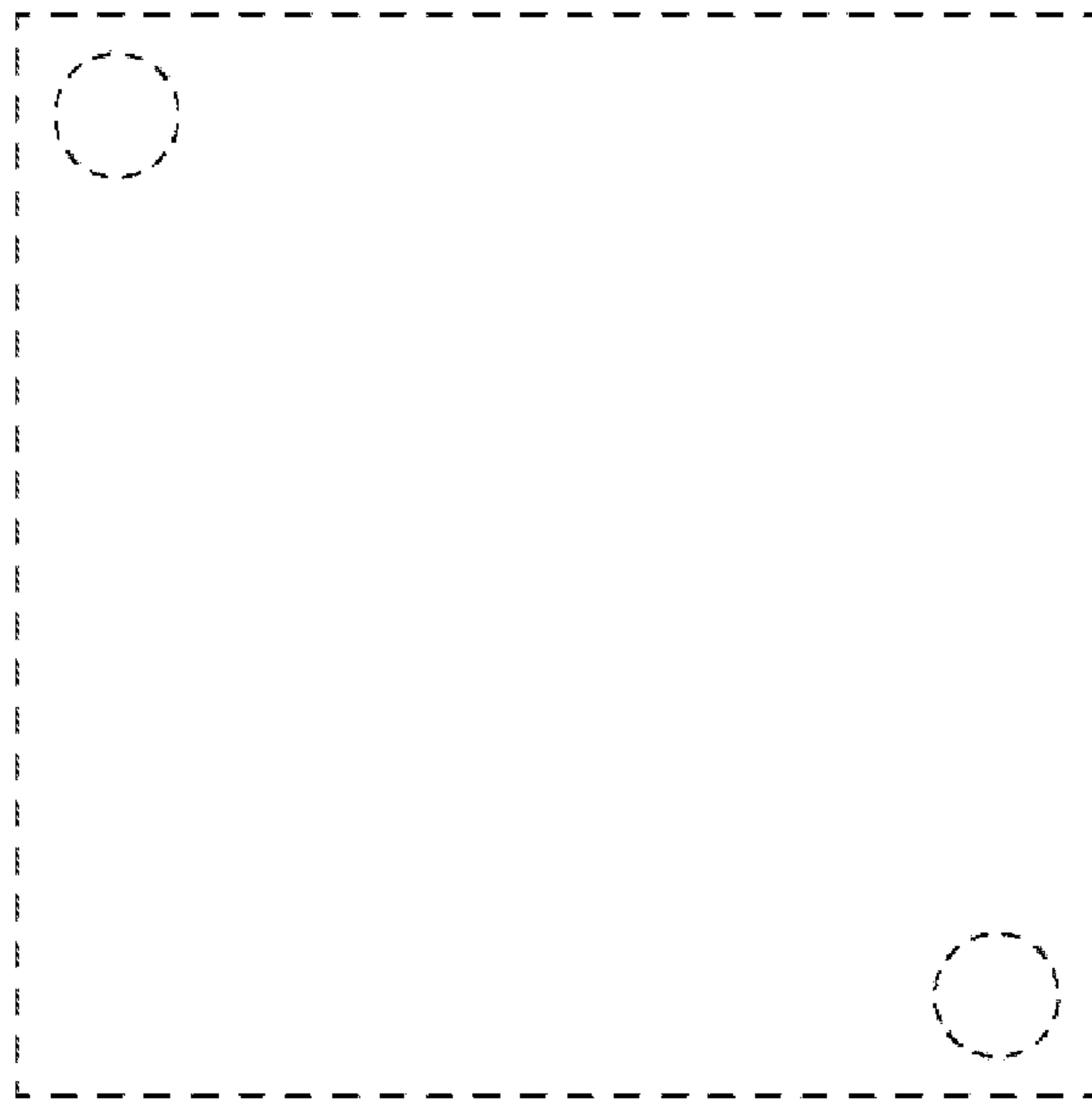
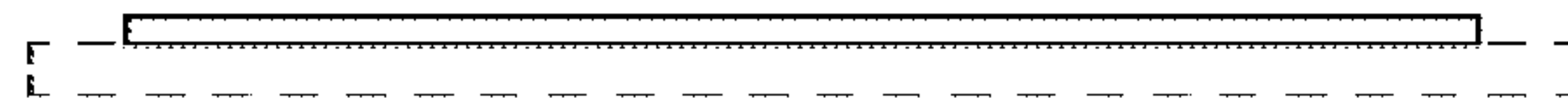


Fig. 7



UNITED STATES PATENT AND TRADEMARK OFFICE
CERTIFICATE OF CORRECTION

PATENT NO. : D779,689 S
APPLICATION NO. : 29/538282
DATED : February 21, 2017
INVENTOR(S) : Funakubo et al.

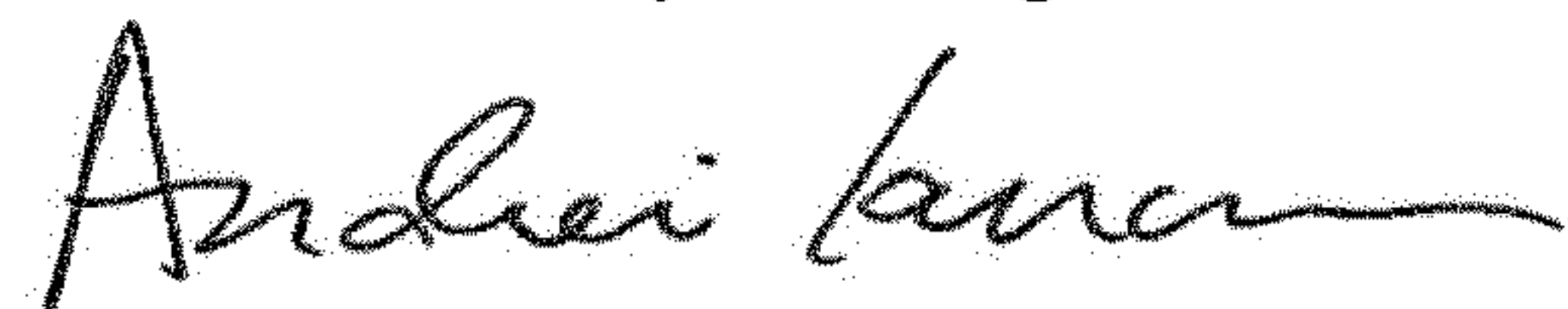
Page 1 of 1

It is certified that error appears in the above-identified patent and that said Letters Patent is hereby corrected as shown below:

Delete the entire data at Item “(71) Applicants”, and insert as follows:

--CITIZEN ELECTRONICS CO., LTD., Yamanashi-ken (JP);
CITIZEN WATCH CO., LTD., Tokyo (JP)--

Signed and Sealed this
Seventh Day of August, 2018



Andrei Iancu
Director of the United States Patent and Trademark Office