



US00D779688S

(12) **United States Design Patent** (10) **Patent No.:** **US D779,688 S**
Gourley (45) **Date of Patent:** **** Feb. 21, 2017**

(54) **CUSHIONED COVER**
(71) Applicant: **John T. Gourley**, Akron, OH (US)
(72) Inventor: **John T. Gourley**, Akron, OH (US)
(**) Term: **14 Years**
(21) Appl. No.: **29/501,313**
(22) Filed: **Sep. 3, 2014**
(51) **LOC (10) Cl.** **25-99**
(52) **U.S. Cl.**
USPC **D25/199**
(58) **Field of Classification Search**
USPC D25/144, 199; D34/12-27; 2/158, 159,
2/167; 16/110.1, 422, 435; 297/229
See application file for complete search history.

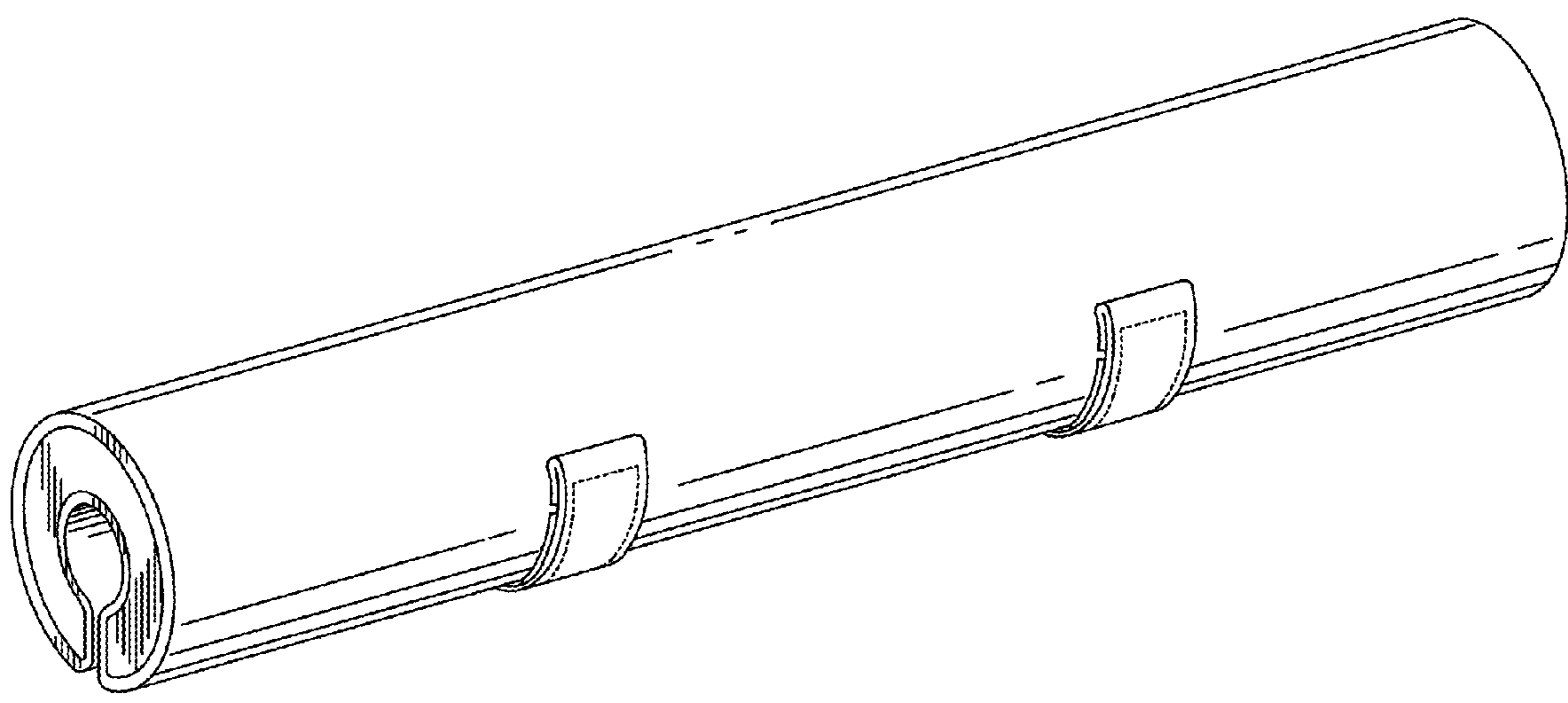
7,431,396 B1 10/2008 Dasso
D635,733 S * 4/2011 Willig B62B 5/069
D34/27
8,128,542 B2 * 3/2012 Hartman A63B 15/00
482/122
8,650,715 B2 * 2/2014 Sonnendorfer B41F 23/0403
16/421
D707,009 S * 6/2014 Walter D34/27
8,875,351 B1 * 11/2014 Williams B62B 5/069
16/421
2012/0240307 A1 9/2012 Terrell et al.
* cited by examiner

Primary Examiner — Garth Rademaker
Assistant Examiner — Samantha Q Lawrence
(74) *Attorney, Agent, or Firm* — Hudak, Shunk & Farine
Co. LPA

(57) **CLAIM**
The ornamental design for a cushioned cover, as shown and
described.

(56) **References Cited**
U.S. PATENT DOCUMENTS
4,805,937 A 2/1989 Boucher et al.
4,955,914 A 9/1990 Caniglia et al.
5,429,377 A 7/1995 Duer
6,065,764 A 5/2000 Moseley
6,206,471 B1 * 3/2001 McGowan B62B 3/144
297/219.12
6,604,789 B1 8/2003 Downing
6,817,066 B1 11/2004 Williams et al.
6,869,085 B2 * 3/2005 Pettigrew B62B 5/06
150/154
D521,207 S * 5/2006 Anderson B62B 5/069
D34/27

DESCRIPTION
FIG. 1 is a perspective view of a cushioned cover;
FIG. 2 is a top view;
FIG. 3 is a bottom view;
FIG. 4 is a front view;
FIG. 5 is a back view;
FIG. 6 is a right side view; and,
FIG. 7 is a left side view.
The broken lines shown in FIGS. 1 and 3-5 illustrate
portions of the cushioned cover that form no part of the
claimed design.
1 Claim, 3 Drawing Sheets



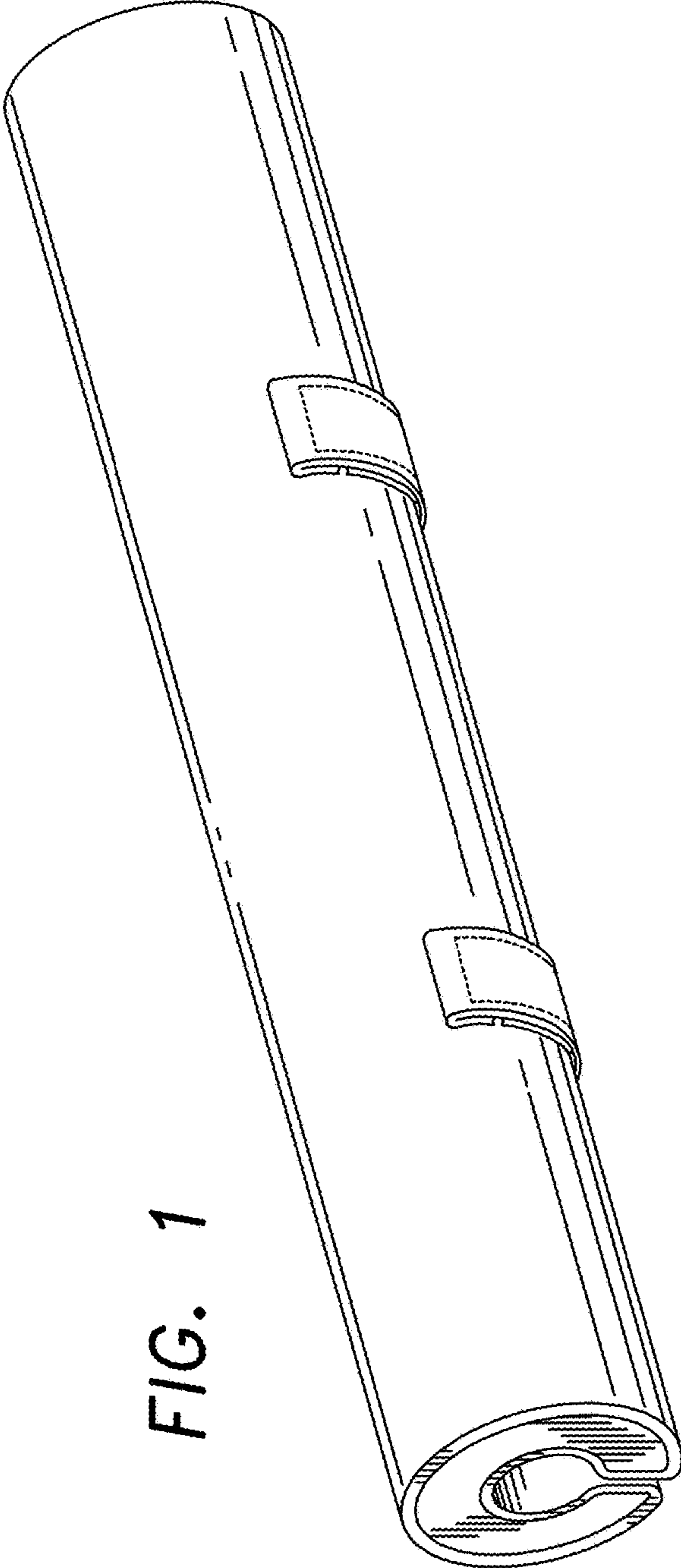
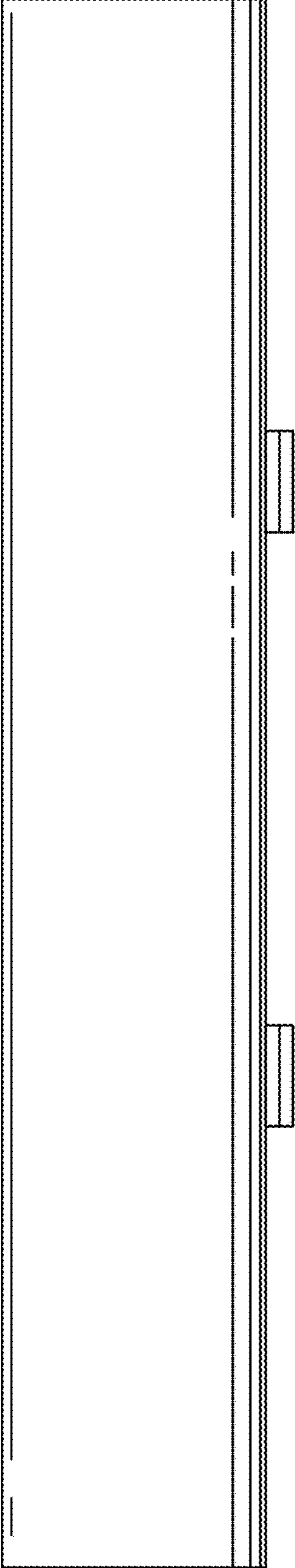


FIG. 1

FIG. 2



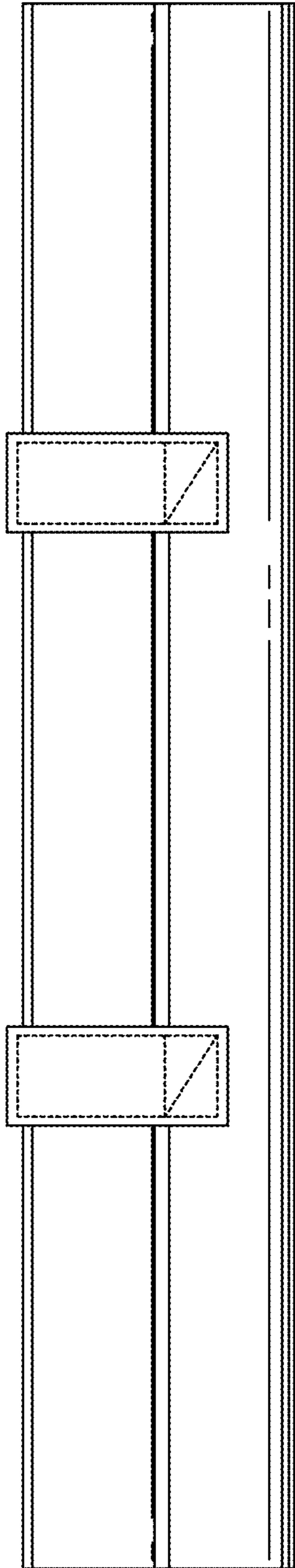


FIG. 3

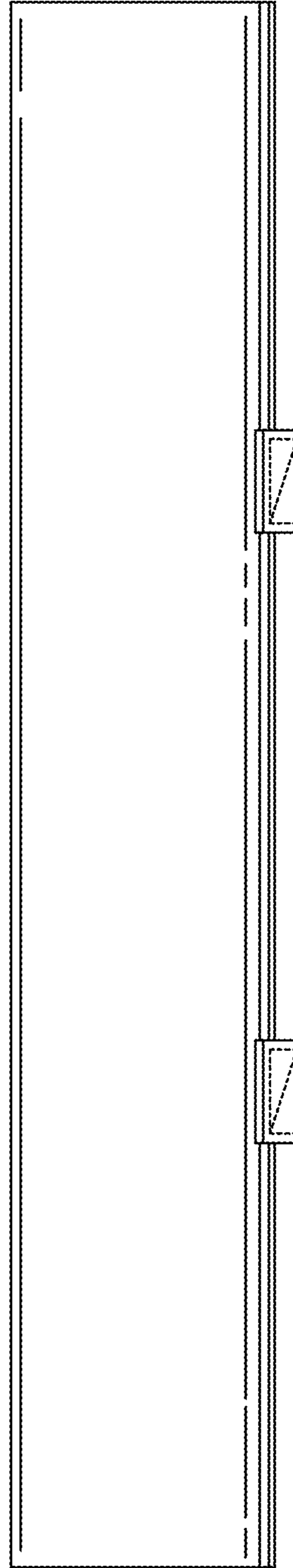


FIG. 4

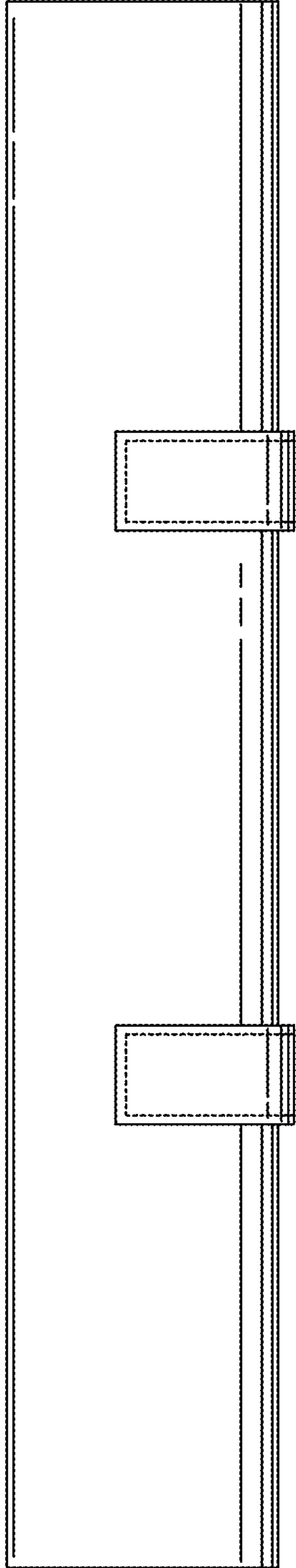


FIG. 5

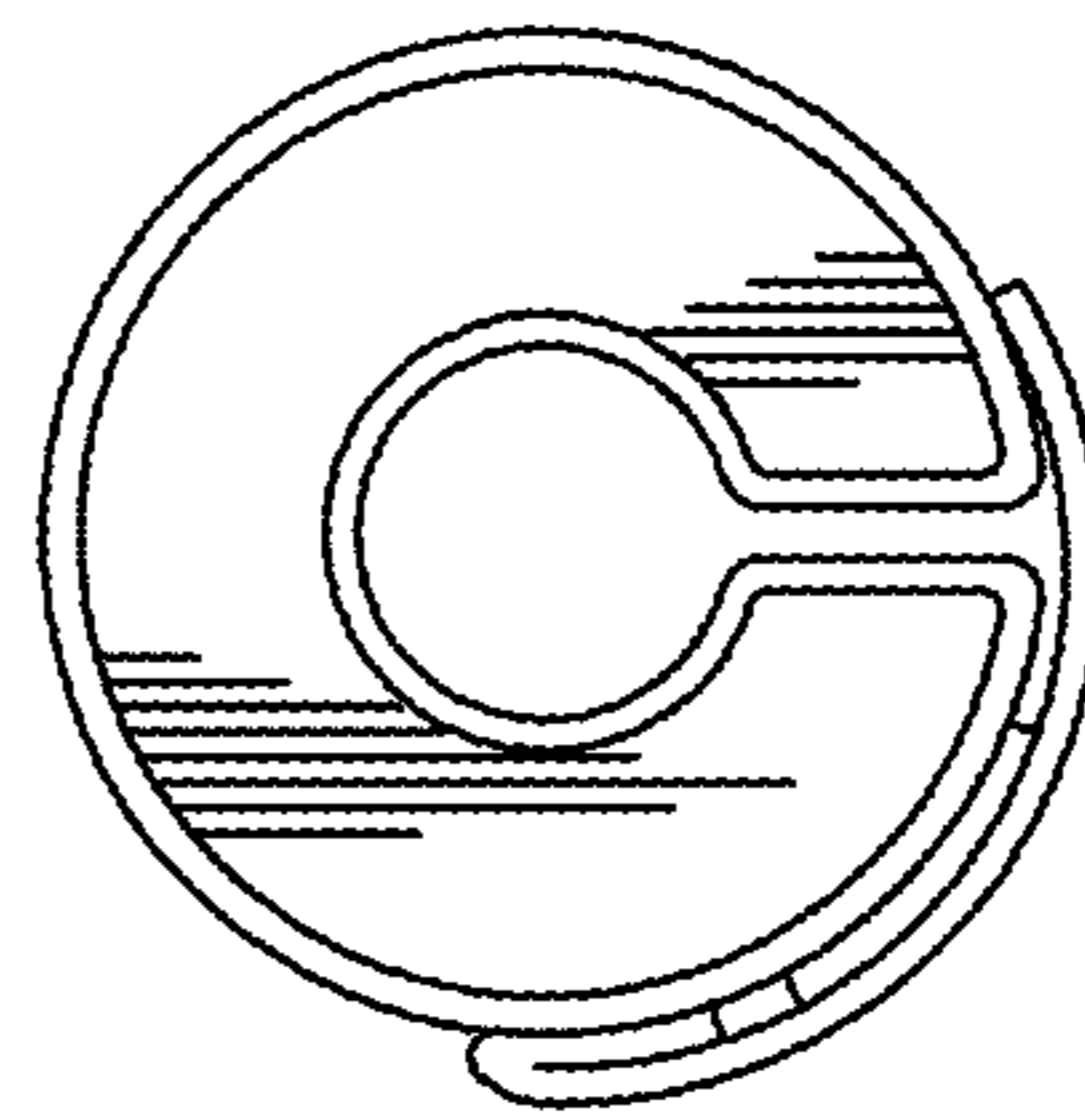


FIG. 6

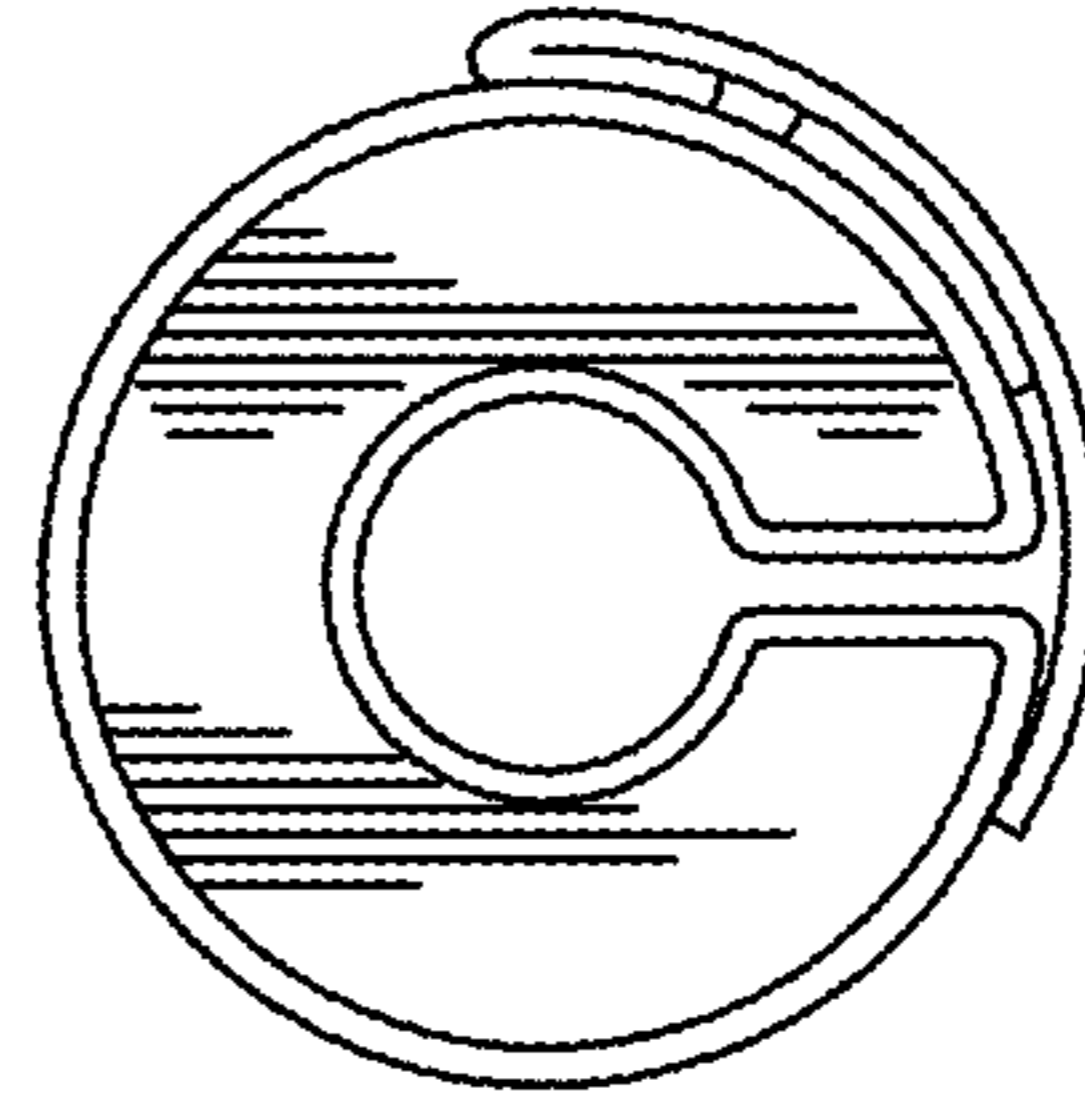


FIG. 7