

US00D779680S

(12) **United States Design Patent**  
**Michael**

(10) **Patent No.:** **US D779,680 S**

(45) **Date of Patent:** **\*\* Feb. 21, 2017**

(54) **PORTABLE ENCLOSURE FOR AN ELECTRIC SCOOTER**

(71) Applicant: **John P. Michael**, Montague, MI (US)

(72) Inventor: **John P. Michael**, Montague, MI (US)

(\*\*) Term: **14 Years**

(21) Appl. No.: **29/474,991**

(22) Filed: **Apr. 14, 2015**

(51) **LOC (10) Cl.** ..... **25-02**

(52) **U.S. Cl.**  
USPC ..... **D25/56**

(58) **Field of Classification Search**  
USPC .. D6/610, 611; D21/837, 838, 839; D25/32, D25/56; 135/124, 125, 147, 904, 909; 150/154, 158, 164-167; 296/78.1, 141; 403/217  
CPC ..... E04H 15/30; E04H 15/48; Y10T 403/44; Y10S 135/904; Y10S 135/909  
See application file for complete search history.

(56) **References Cited**

**U.S. PATENT DOCUMENTS**

- 2,789,863 A \* 4/1957 Shimabukuro ..... B62B 9/142  
135/115
- 3,550,601 A \* 12/1970 Peters ..... E04B 1/3441  
135/135
- 3,709,553 A 1/1973 Churchill et al.
- 3,810,482 A \* 5/1974 Beavers ..... E04H 15/48  
135/147
- 4,098,536 A \* 7/1978 Mills ..... B60J 11/00  
135/117
- 4,285,354 A \* 8/1981 Beavers ..... E04H 15/30  
135/120.3
- 4,773,694 A 9/1988 Gerber
- 5,135,018 A \* 8/1992 Anderson ..... E04H 15/26  
135/114
- 5,217,275 A \* 6/1993 Ridge ..... B60J 9/00  
150/166
- 5,310,235 A 5/1994 Seymour et al.

- 5,628,338 A \* 5/1997 Stumbo ..... E04H 15/40  
135/147
- D389,363 S \* 1/1998 Robertson ..... D6/610
- 5,788,317 A \* 8/1998 Nation ..... B60J 5/0487  
150/166
- 6,092,544 A \* 7/2000 Zheng ..... B60J 1/2091  
135/115
- 6,279,986 B1 8/2001 Hinsperger
- D469,545 S \* 1/2003 Omanson ..... D25/56
- D476,518 S \* 7/2003 Doppelt ..... D6/610
- D481,887 S \* 11/2003 Ellwanger ..... D6/610

(Continued)

**FOREIGN PATENT DOCUMENTS**

RU 00044635 \* 9/1998

*Primary Examiner* — Susan Bennett Hattan

*Assistant Examiner* — Leanne Was

(74) *Attorney, Agent, or Firm* — Suzanne Kikel

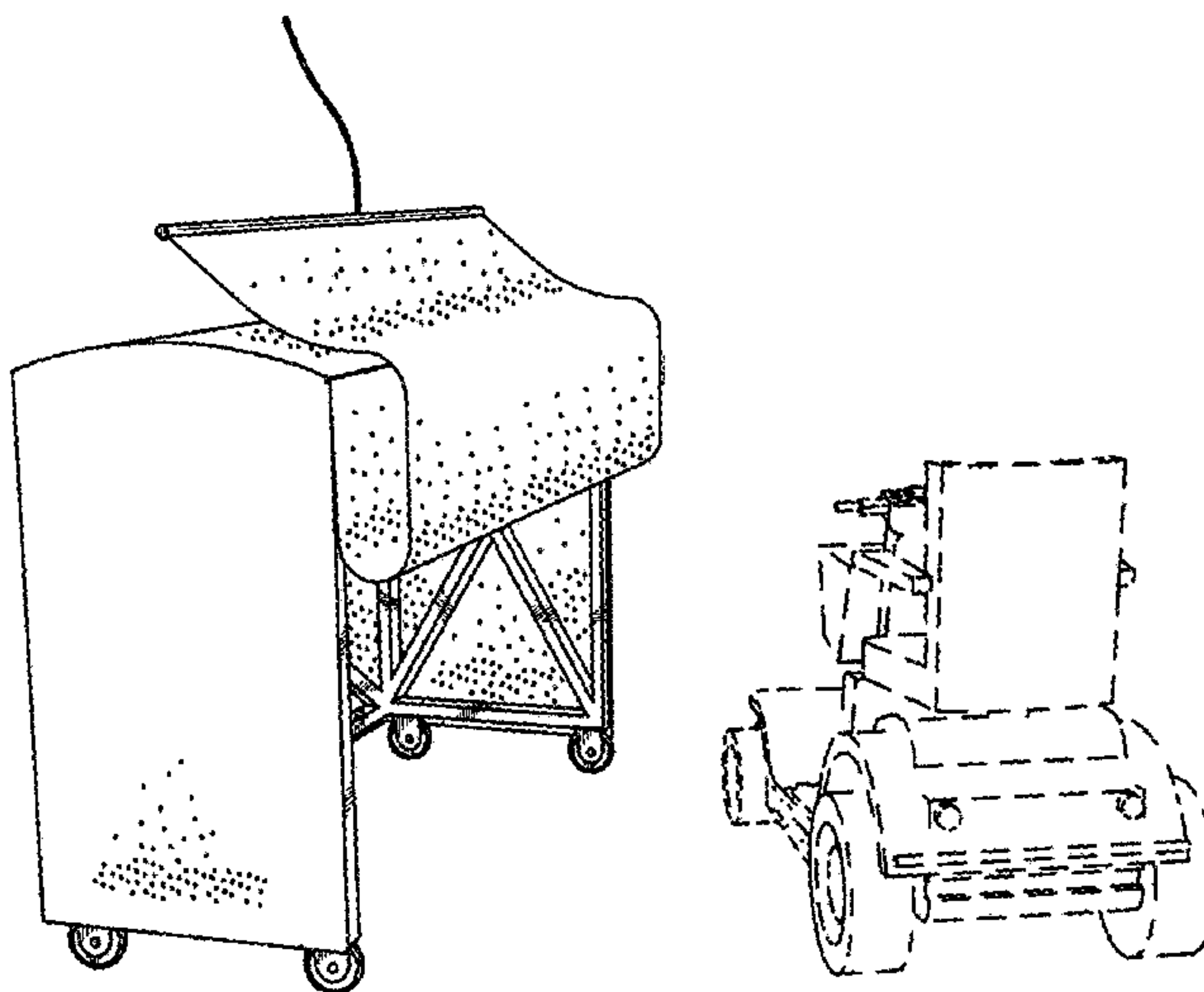
(57) **CLAIM**

The ornamental design for a portable enclosure for an electric scooter, as shown and described.

**DESCRIPTION**

FIG. 1 is a perspective view of a portable enclosure for an electric scooter with the front flap in an open position. FIG. 2 is a perspective view of the portable enclosure with the front flap in a closed position. FIG. 3 is a front elevational view thereof. FIG. 4 is a rear elevational view thereof. FIG. 5 is a right side elevational view thereof. FIG. 6 is a left side elevational view thereof. FIG. 7 is a bottom view thereof; and, FIG. 8 is a top view thereof. The broken line showing of the electric scooter in the figure depicts environmental subject matter that forms no part of the claimed design.

**1 Claim, 6 Drawing Sheets**



(56)

**References Cited**

U.S. PATENT DOCUMENTS

6,854,747 B2 \* 2/2005 Erickson ..... B62B 5/0013  
150/154  
7,066,526 B2 \* 6/2006 Weddington ..... B60J 7/102  
296/105  
D532,561 S \* 11/2006 La Luzerne ..... D30/119  
D533,972 S \* 12/2006 La Luzerne ..... D30/108  
7,320,332 B2 \* 1/2008 Reis ..... E04H 15/44  
135/115  
7,921,863 B2 \* 4/2011 Ways ..... E04H 15/34  
135/125  
7,958,904 B2 \* 6/2011 Lau ..... A01M 31/025  
135/147

\* cited by examiner

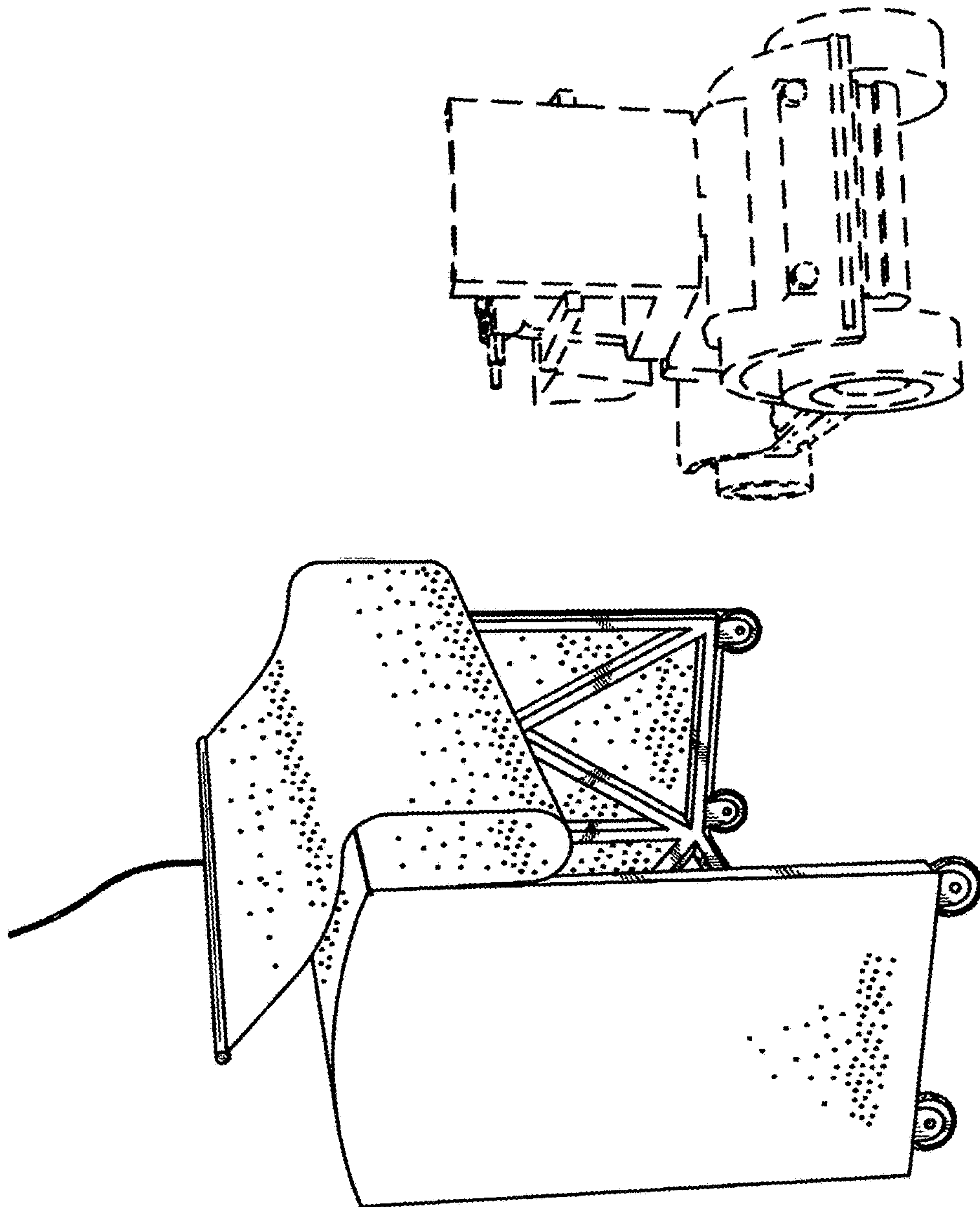


FIG.1

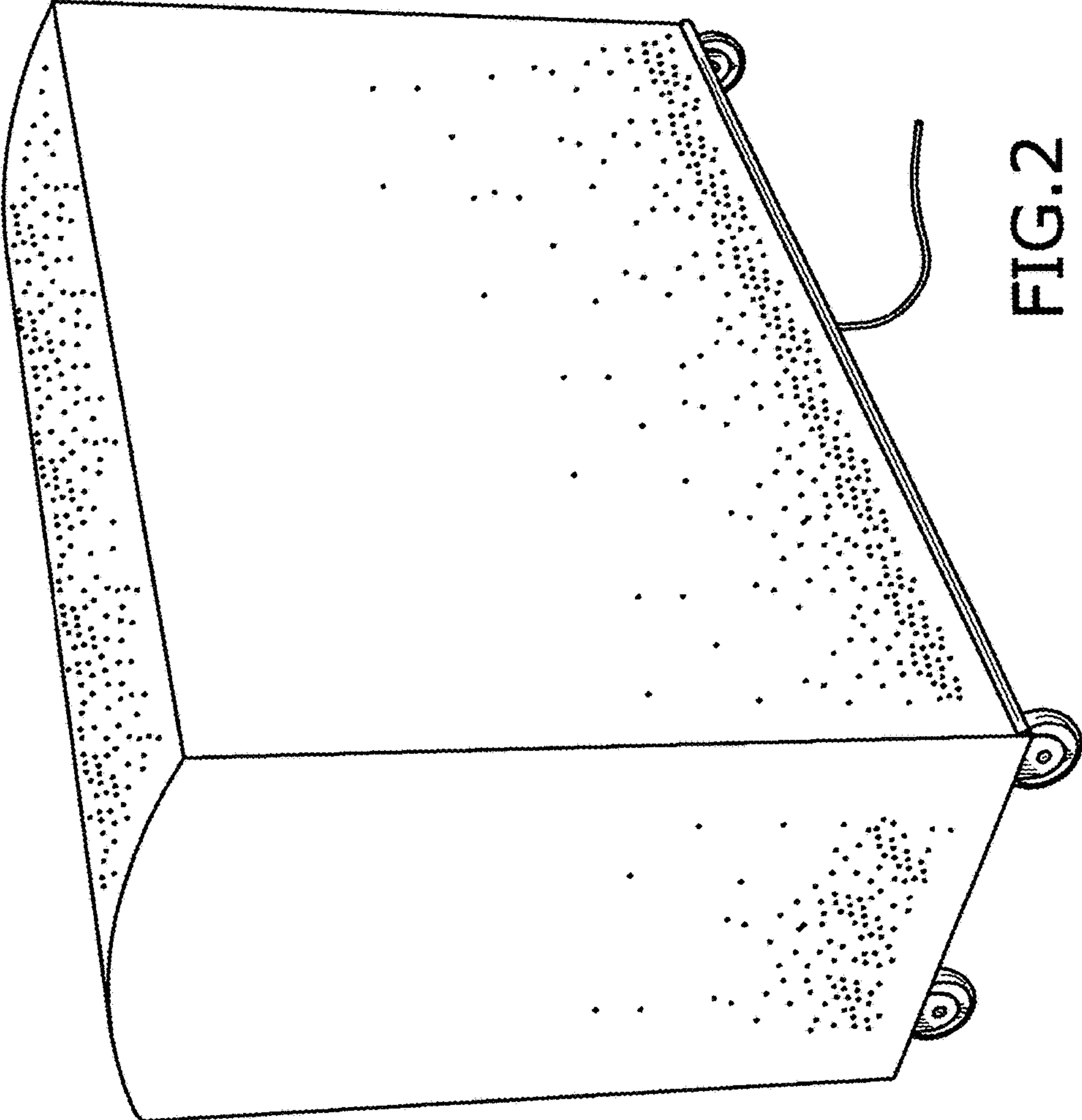


FIG. 2



FIG. 3

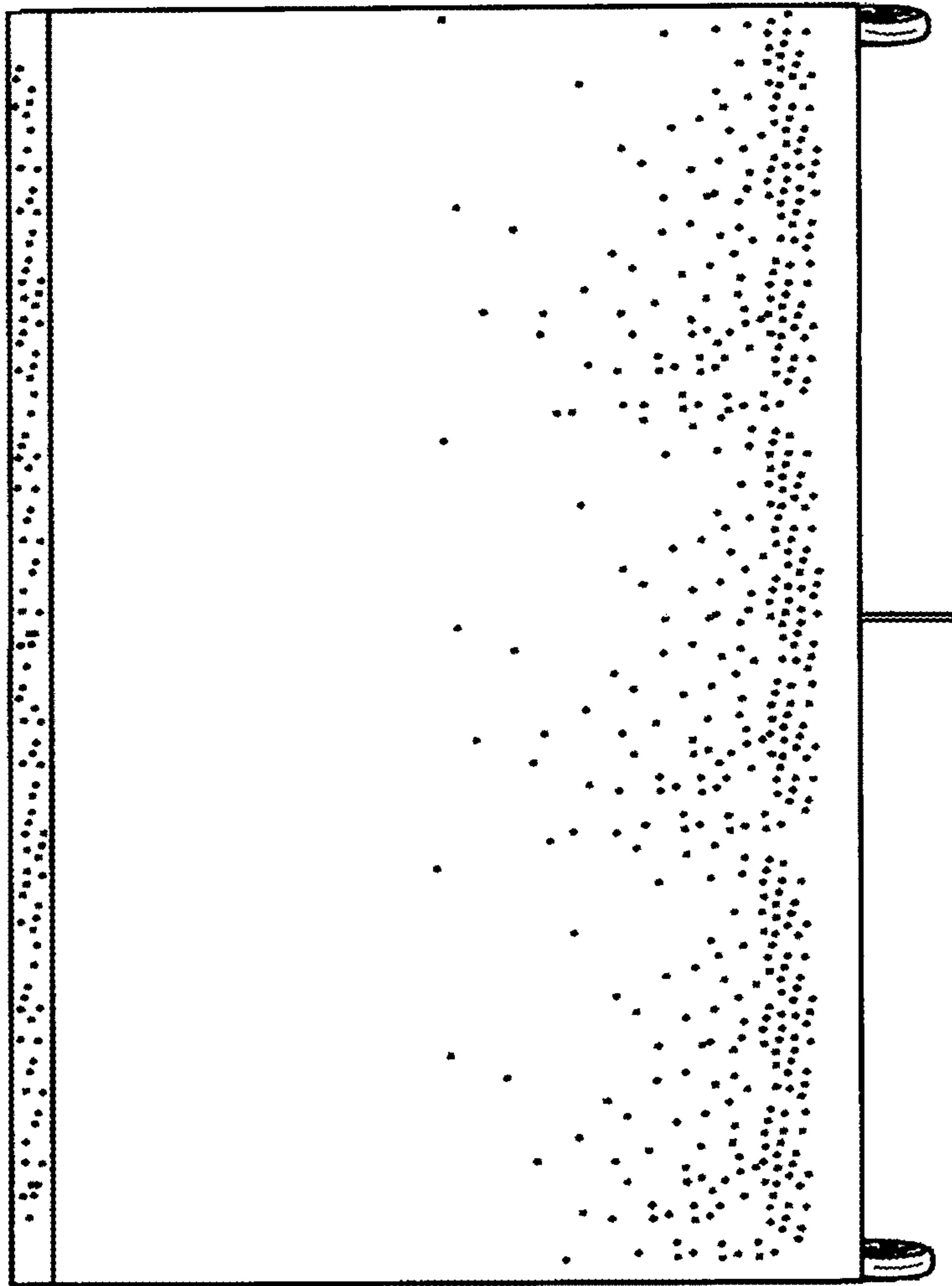


FIG. 4



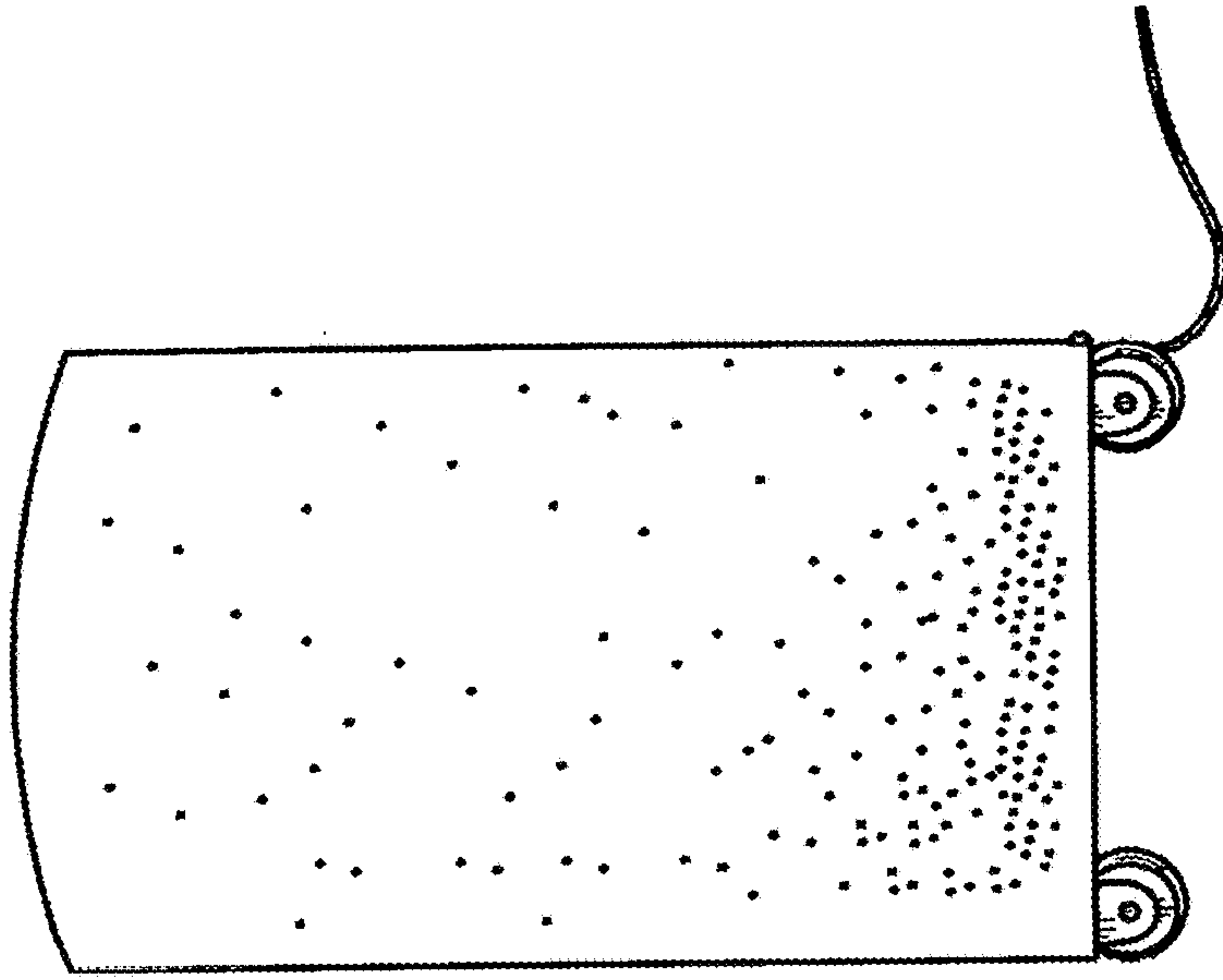


FIG. 5

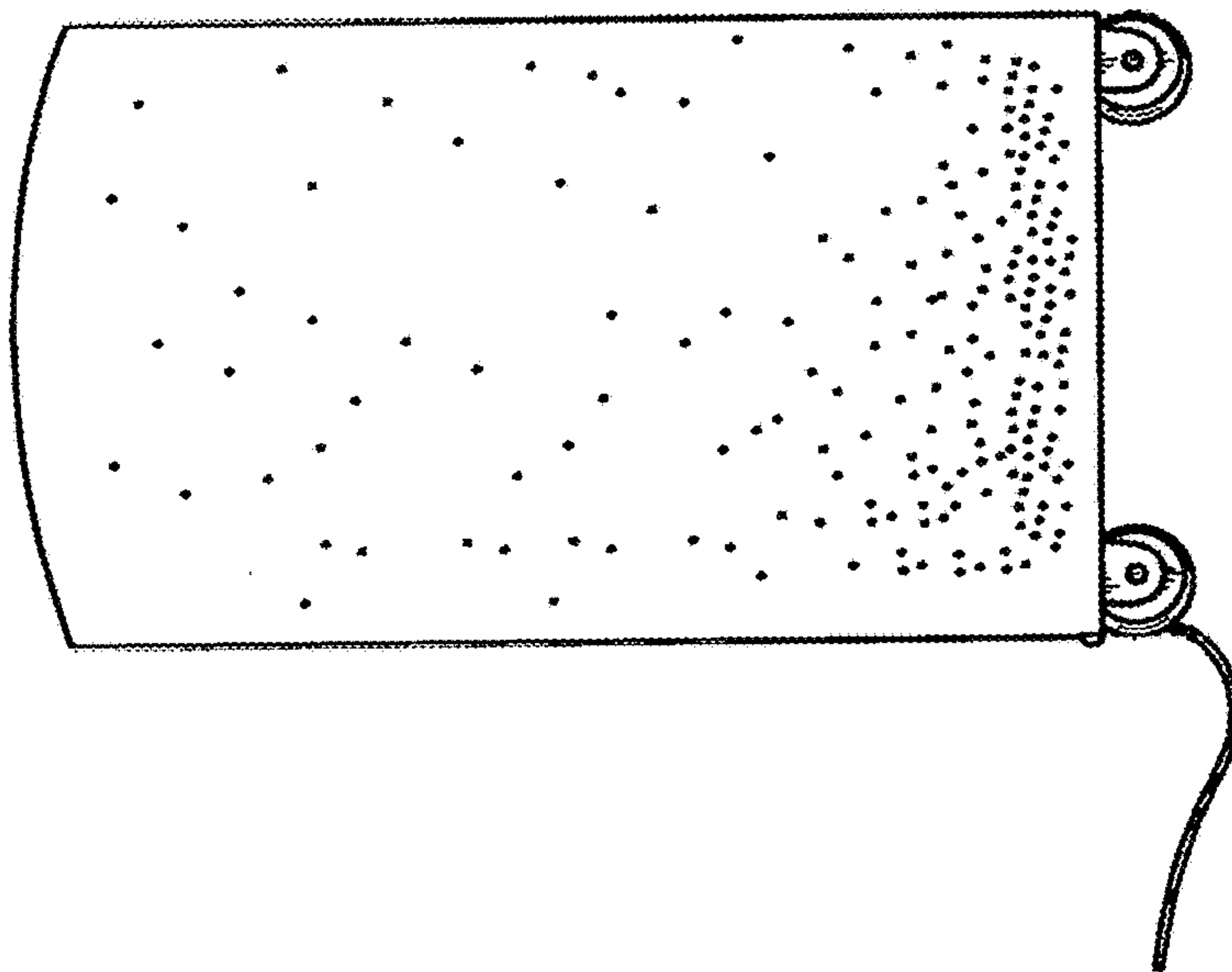


FIG. 6

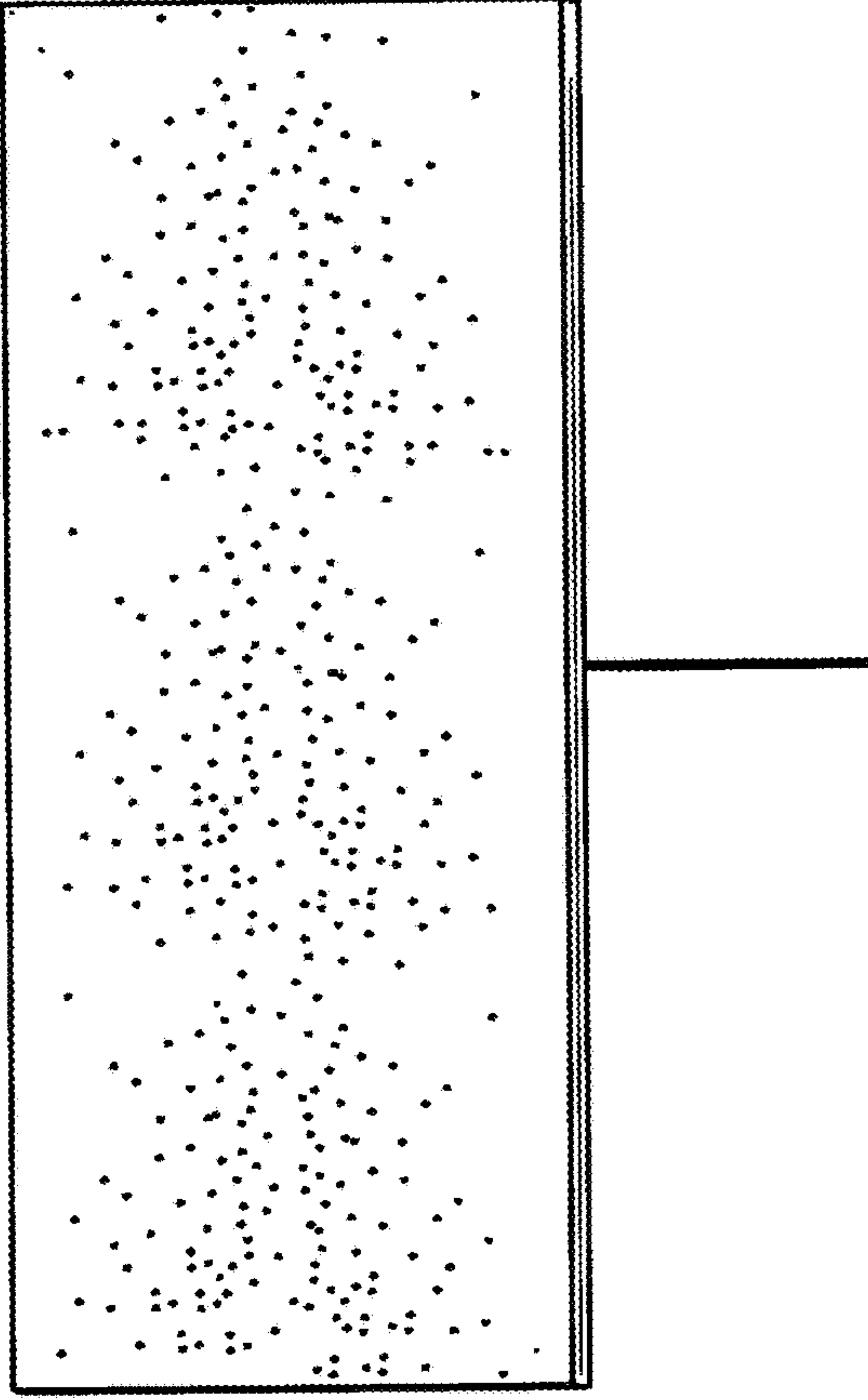
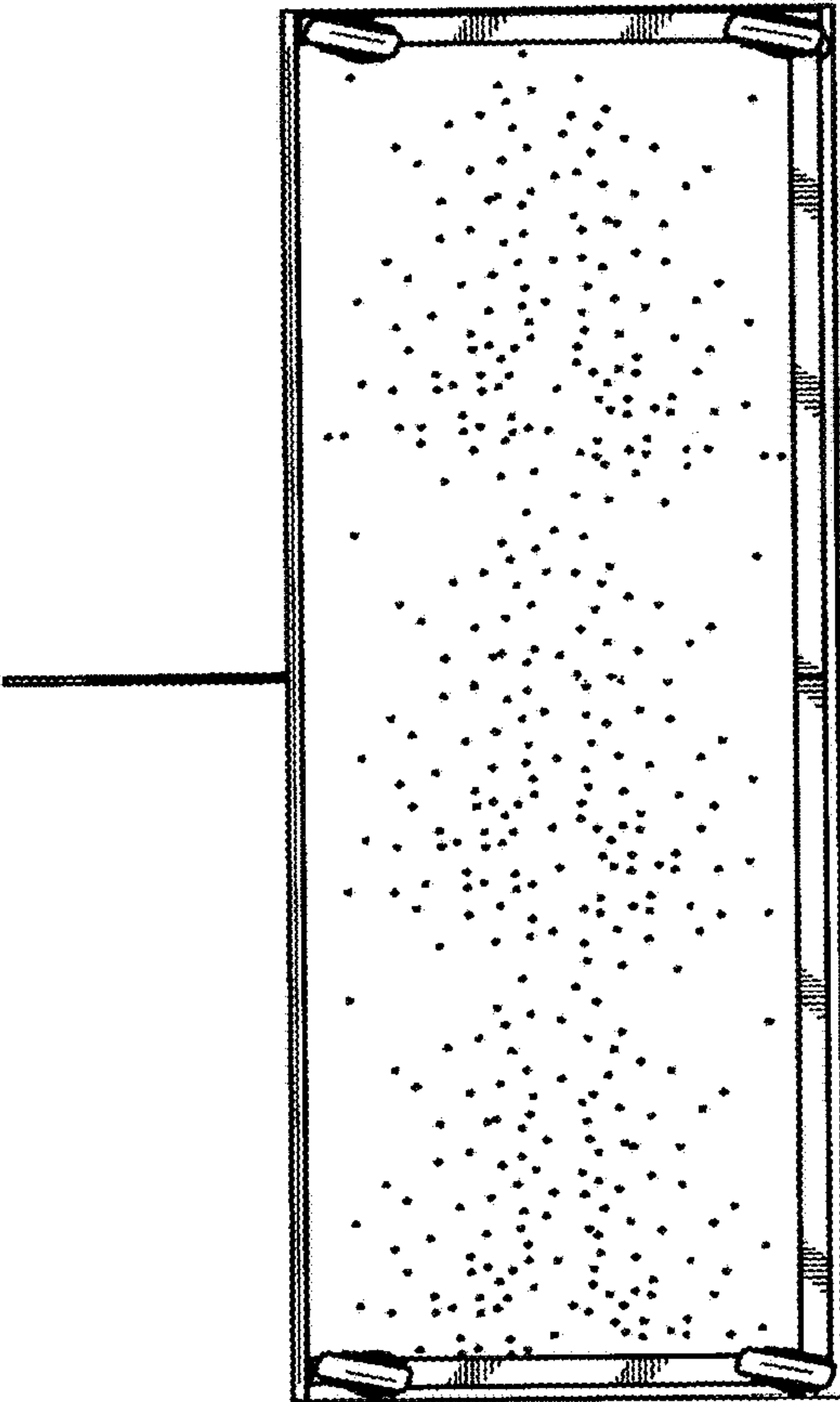


FIG. 7

FIG. 8