



US00D779679S

(12) **United States Design Patent** (10) **Patent No.:** **US D779,679 S**
Sartain (45) **Date of Patent:** **** Feb. 21, 2017**

- (54) **UNDER BED BORDER GATE**
- (71) Applicant: **Cindy Sartain**, Concord, NC (US)
- (72) Inventor: **Cindy Sartain**, Concord, NC (US)
- (**) Term: **15 Years**
- (21) Appl. No.: **29/544,015**
- (22) Filed: **Oct. 29, 2015**
- (51) **LOC (10) Cl.** **25-02**
- (52) **U.S. Cl.**
USPC **D25/48.5**
- (58) **Field of Classification Search**
USPC ... D6/332; D25/48.5, 48.8; 5/280, 308, 658,
5/663; 297/182, 188.08, 440.1, 463.2
CPC A47C 17/86
See application file for complete search history.

- D675,341 S * 1/2013 Cochrane D25/38.1
- 8,465,101 B1 * 6/2013 Alvarez A47B 95/002
297/182
- D723,184 S * 2/2015 Jackson D25/48.5
- D724,759 S * 3/2015 Tucker D25/38.1
- 2009/0174248 A1 7/2009 Chisholm
- 2014/0245933 A1 9/2014 Leslie et al.
- 2016/0220029 A1 * 8/2016 Caron A47C 17/86

FOREIGN PATENT DOCUMENTS

JP D1260838 * 1/2006

* cited by examiner

Primary Examiner — Susan Bennett Hattan
Assistant Examiner — Leanne Was-Englehart

(57) **CLAIM**

The ornamental design for a under bed border gate, as shown and described.

DESCRIPTION

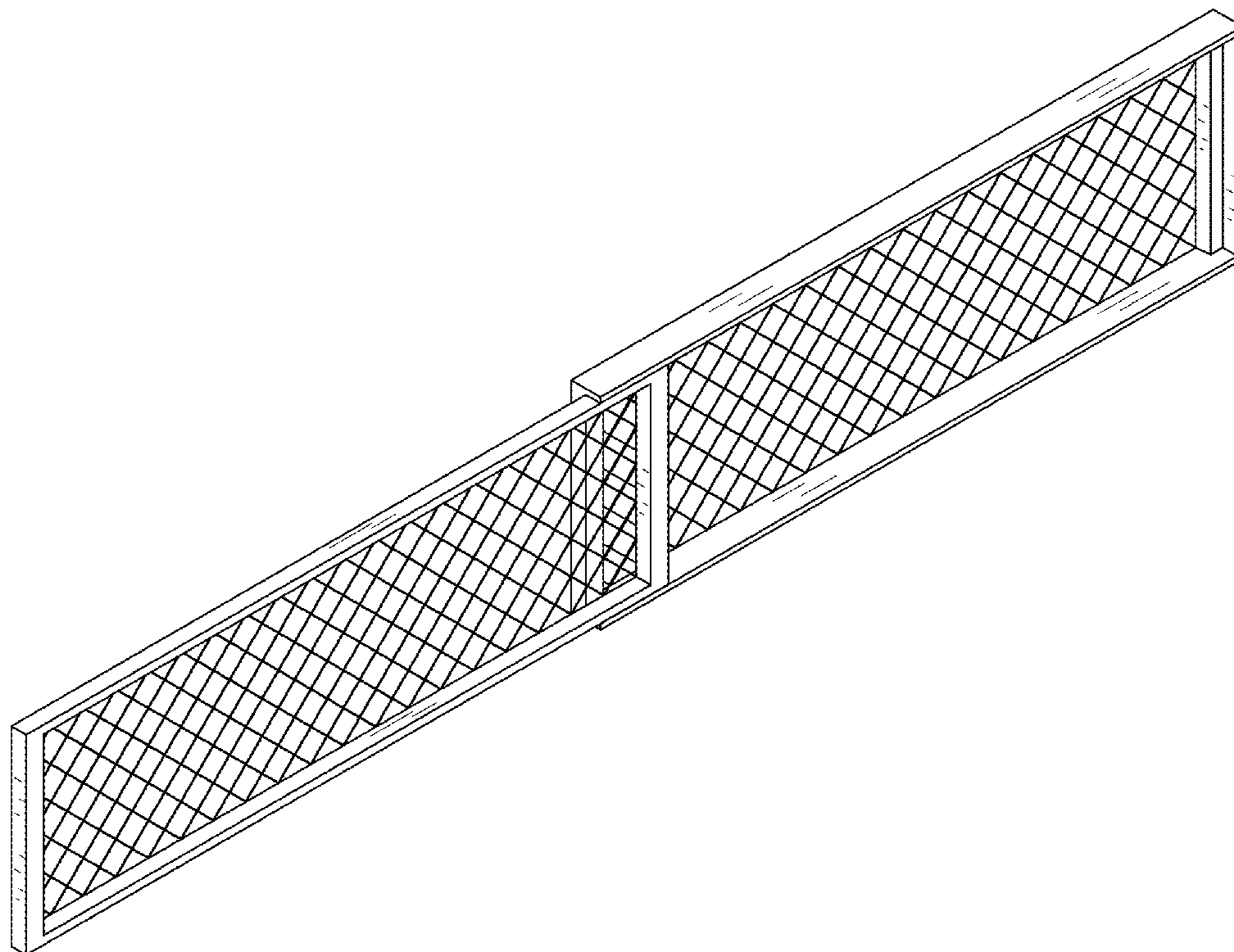
FIG. 1 is a front view of a under bed border gate showing my new design;
FIG. 2 is a rear view of the under bed border gate;
FIG. 3 is a top view of the under bed border gate, a bottom view being a mirror image thereof;
FIG. 4 is a left side view of the under bed border gate;
FIG. 5 is a right side view of the under bed border gate; and,
FIG. 6 is a top front side perspective view of the under bed border gate.

1 Claim, 3 Drawing Sheets

(56) **References Cited**

U.S. PATENT DOCUMENTS

- D14,442 S * 11/1883 Hunziker 245/2
- 618,264 A 1/1899 Burtless
- D351,760 S * 10/1994 Frank D7/402
- D543,639 S * 5/2007 Mertins D25/38.1
- D603,192 S * 11/2009 Priddle D6/702
- D622,790 S * 8/2010 Brown D21/698
- 7,805,781 B1 * 10/2010 Smith A47C 17/86
5/280
- D663,557 S * 7/2012 Marler D6/716
- D666,308 S * 8/2012 Sanchez D25/48.8



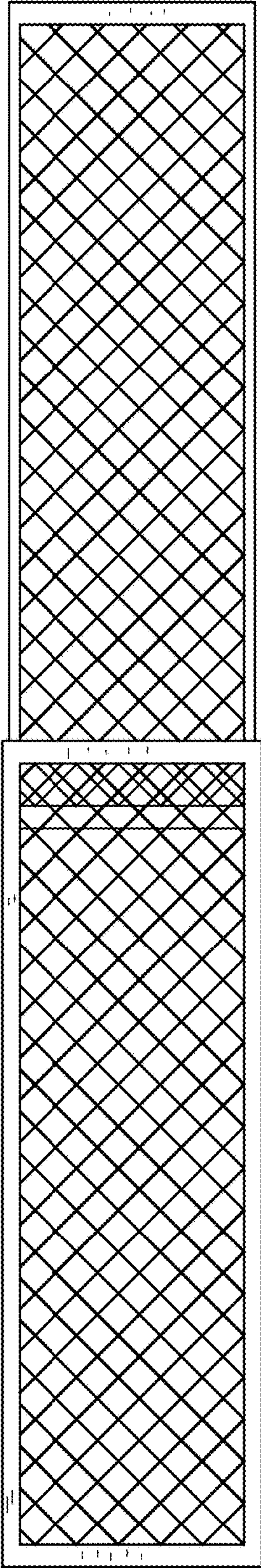


FIG. 1

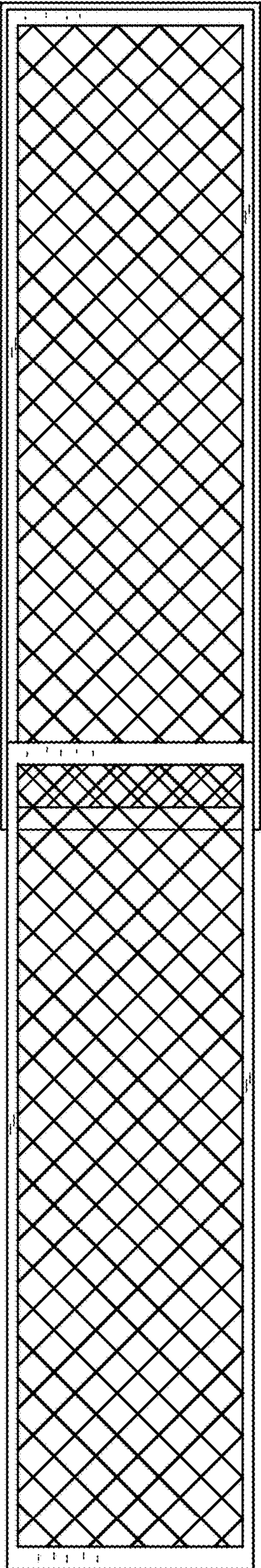


FIG. 2



FIG. 3



FIG. 4

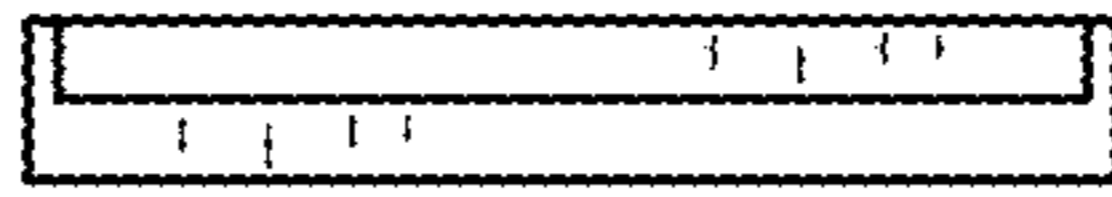


FIG. 5

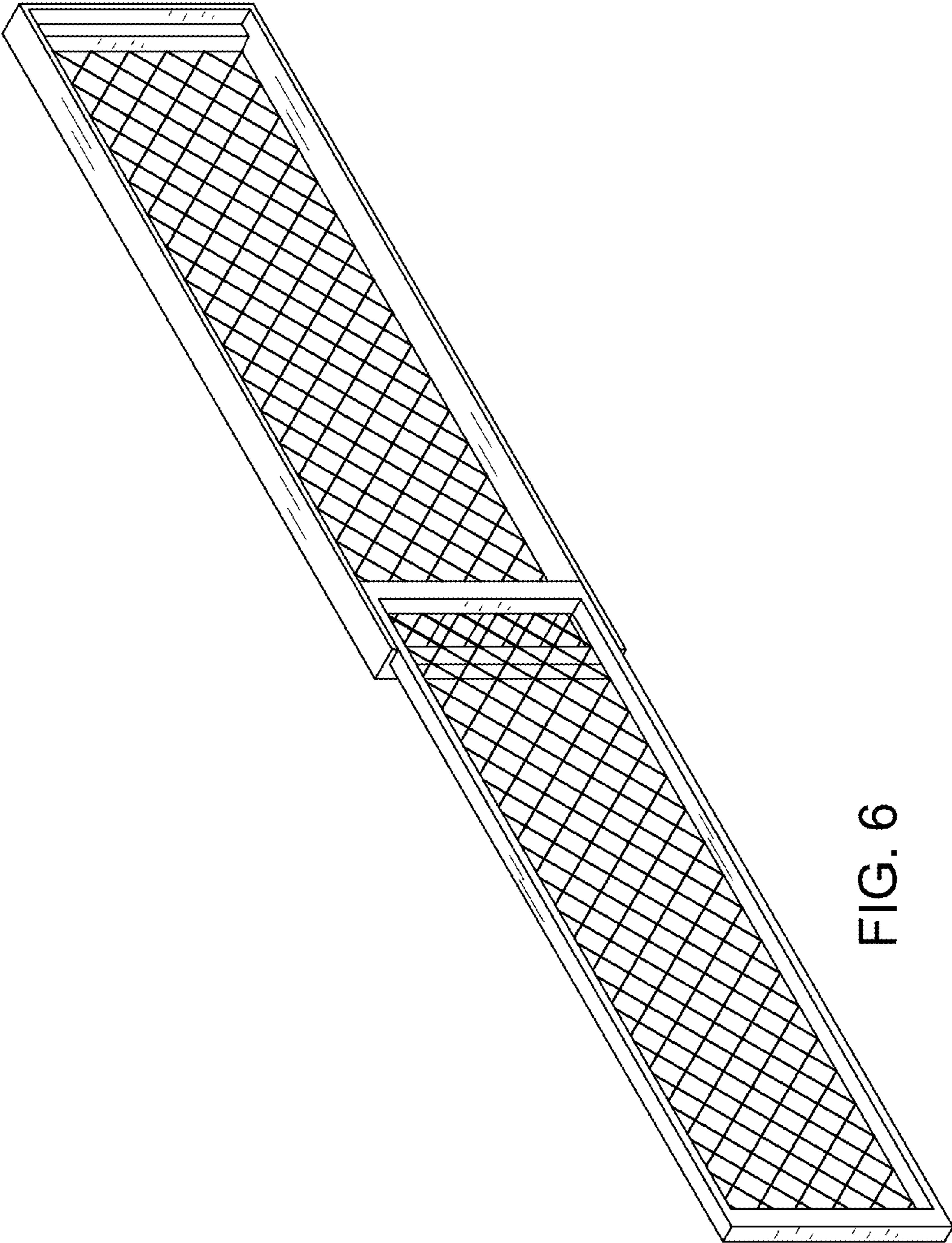


FIG. 6