



US00D779673S

(12) **United States Design Patent** (10) **Patent No.:** **US D779,673 S**
Lindman et al. (45) **Date of Patent:** **** Feb. 21, 2017**

- (54) **HANDLE FOR AN ORTHODONTIC INSTRUMENT** 2,944,341 A 7/1960 Lane
2,985,962 A * 5/1961 Shiner A61C 7/04
433/4
- (71) Applicant: **American Orthodontics Corporation,** 3,132,550 A 5/1964 Frederick
Sheboygan, WI (US) D208,009 S 6/1967 Hearrell
4,035,917 A * 7/1977 Roberts A61C 3/10
433/145
- (72) Inventors: **Julie Lindman,** Plymouth, WI (US); 5,395,236 A * 3/1995 Khouri A61C 7/04
Gordon Lawrence, Sheboygan, WI 140/106
(US)
- (73) Assignee: **American Orthodontics Corporation,** 6,474,988 B1 11/2002 Georgakis et al.
Sheboygan, WI (US) 6,984,126 B1 1/2006 Graham
7,128,575 B1 10/2006 Sohn
7,182,595 B2 2/2007 Smith et al.
(Continued)

(**) Term: **15 Years**

Primary Examiner — Wan Laymon
(74) *Attorney, Agent, or Firm* — Andrus Intellectual Property Law, LLP

(21) Appl. No.: **29/548,286**

(22) Filed: **Dec. 11, 2015**

(57) **CLAIM**

The ornamental design for a handle for an orthodontic instrument, as shown and described.

Related U.S. Application Data

(62) Division of application No. 29/503,549, filed on Sep. 26, 2014, now Pat. No. Des. 748,261.

(51) **LOC (10) Cl.** **24-02**

(52) **U.S. Cl.**
USPC **D24/153**

(58) **Field of Classification Search**
USPC D24/147-178; D8/52, 54-56
CPC A61C 7/02; A61C 7/04; A61C 7/023;
A61C 7/146; A61C 3/00; A61C
3/10; A61C 3/14; A61C 3/16; B25B 7/00;
B25B 7/02; B25B 7/04; B25B 7/10
See application file for complete search history.

DESCRIPTION

FIG. 1 is a perspective view of an embodiment of a handle for an orthodontic instrument;
FIG. 2 is a front view thereof;
FIG. 3 is a back view thereof;
FIG. 4 is a left side view thereof;
FIG. 5 is a top view thereof;
FIG. 6 is a right side view thereof; and,
FIG. 7 is a bottom view thereof.

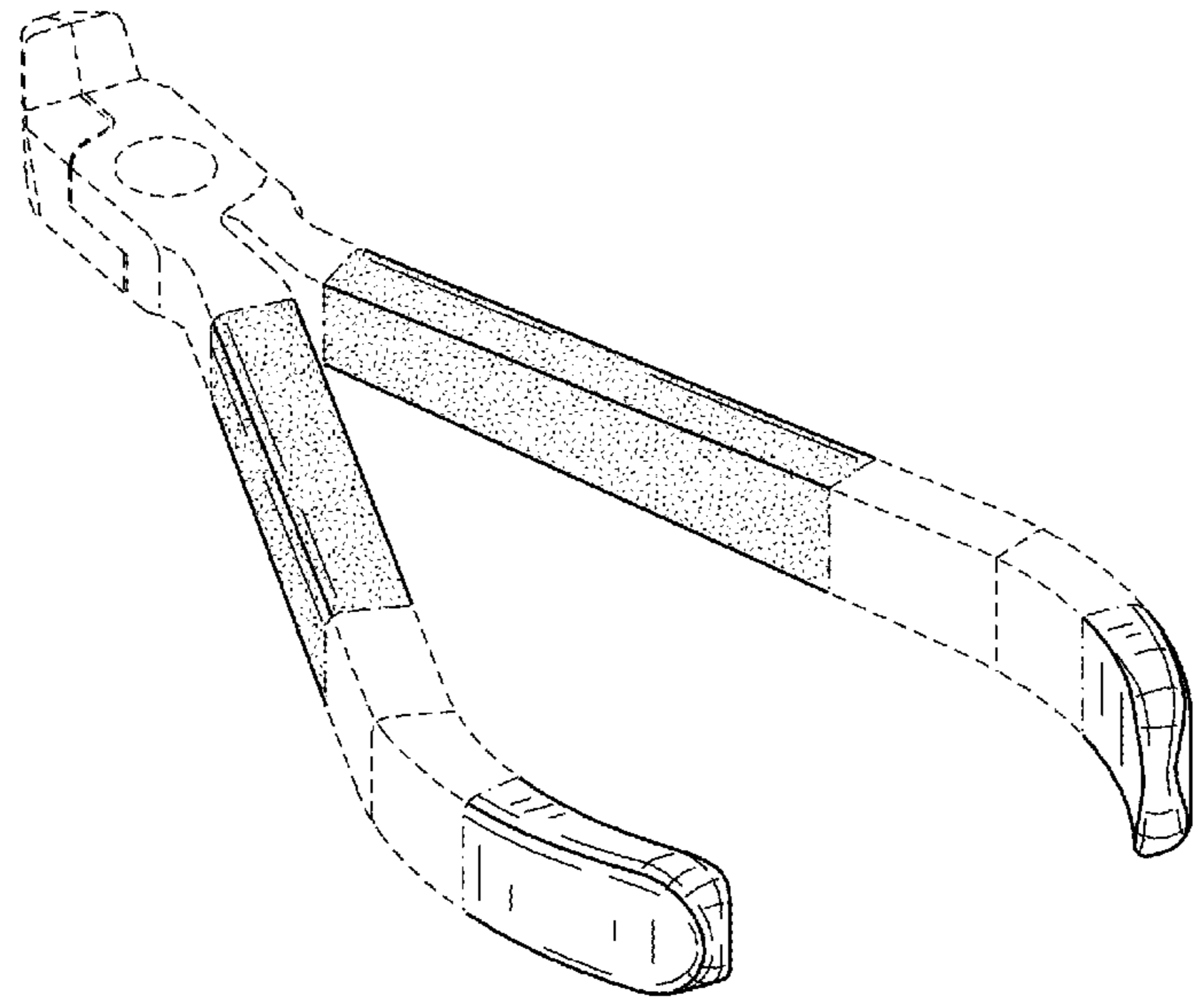
The dash-dot-dash broken lines illustrates the bounds of the claim. The broken lines showing of various portions, other elements in the Figures are for the purpose of illustrating unclaimed portions and form no part of the claimed design. The claimed design includes two surface textures, namely, polished and brushed surface textures with the stippling indicating a brush surface texture.

(56) **References Cited**

U.S. PATENT DOCUMENTS

- 536,166 A * 3/1895 Angle A61C 7/04
433/4
- 1,626,226 A 4/1927 Osias
- 1,850,268 A 3/1932 Kulp et al.

1 Claim, 3 Drawing Sheets



(56)

References Cited

U.S. PATENT DOCUMENTS

7,549,860	B2	6/2009	Soo et al.	
7,722,353	B2	5/2010	Graham	
D690,010	S	9/2013	Lim	
D715,438	S	* 10/2014	Hiro	D24/153
2013/0273489	A1	* 10/2013	De Menezes	A61C 7/04 433/4

* cited by examiner

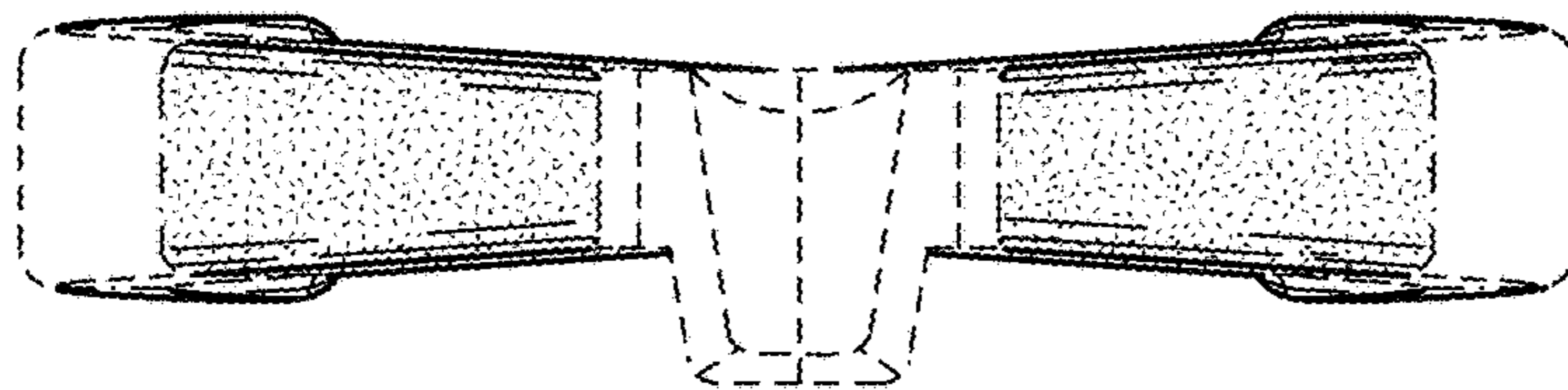
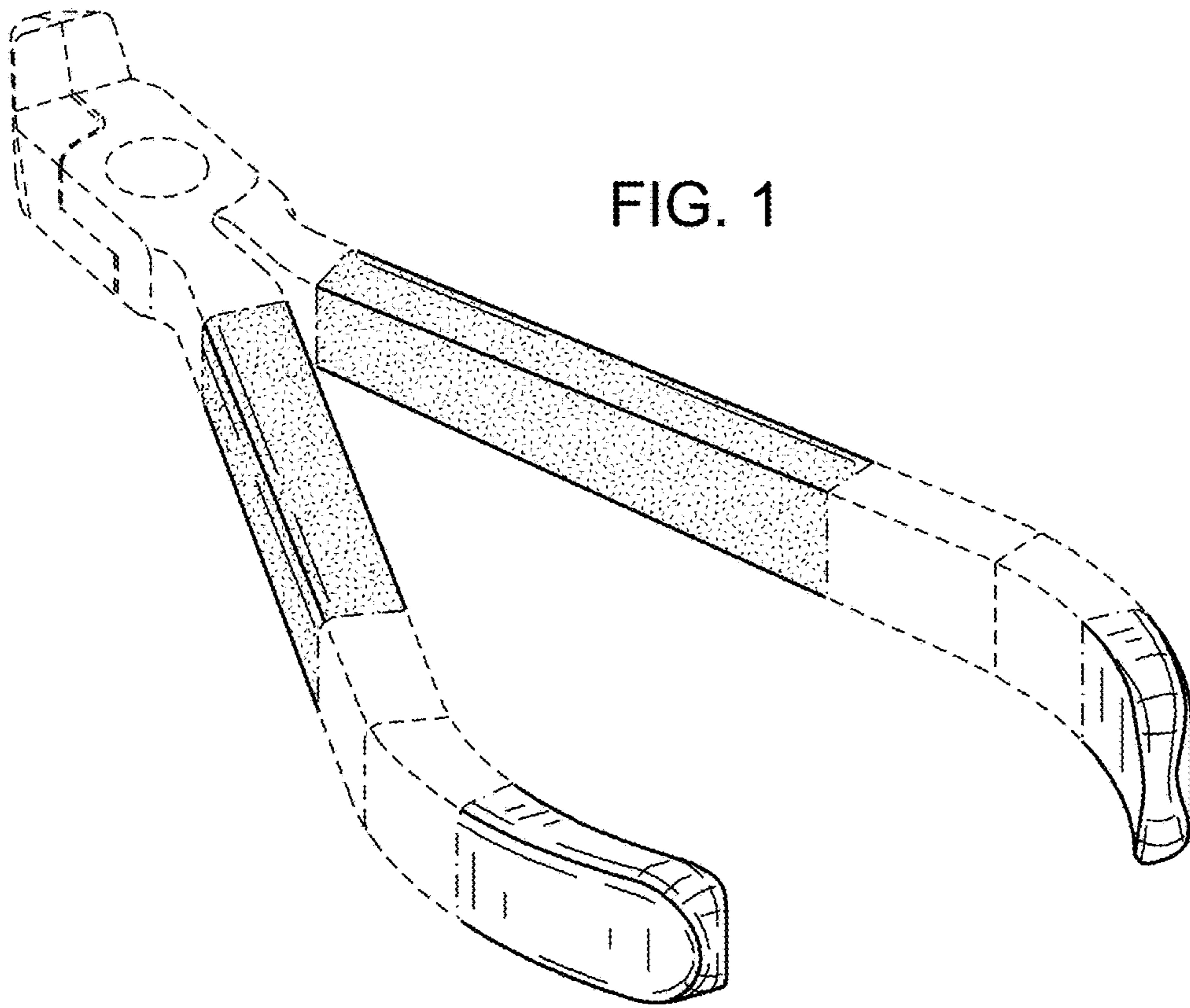


FIG. 2

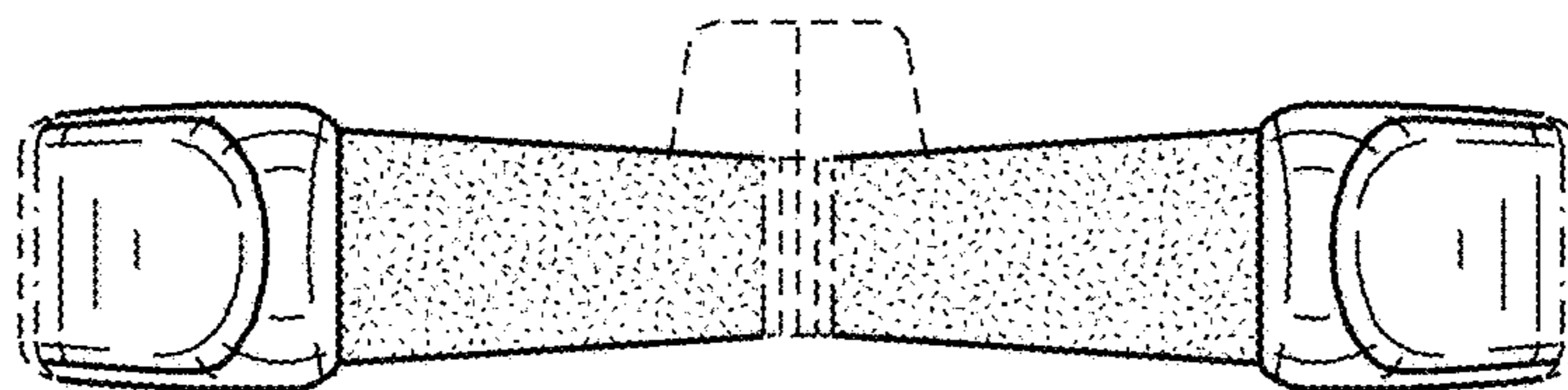


FIG. 3

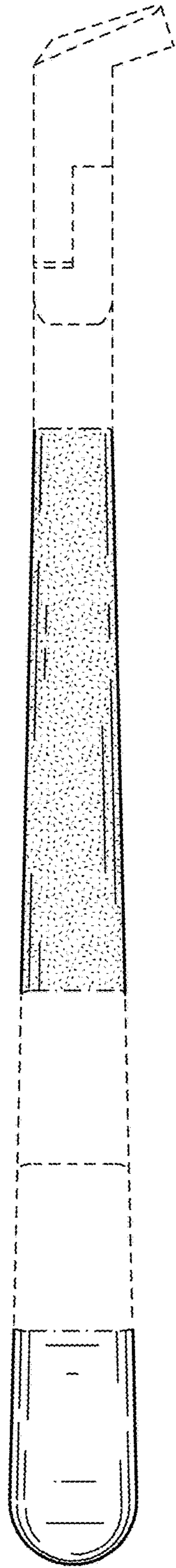


FIG. 4

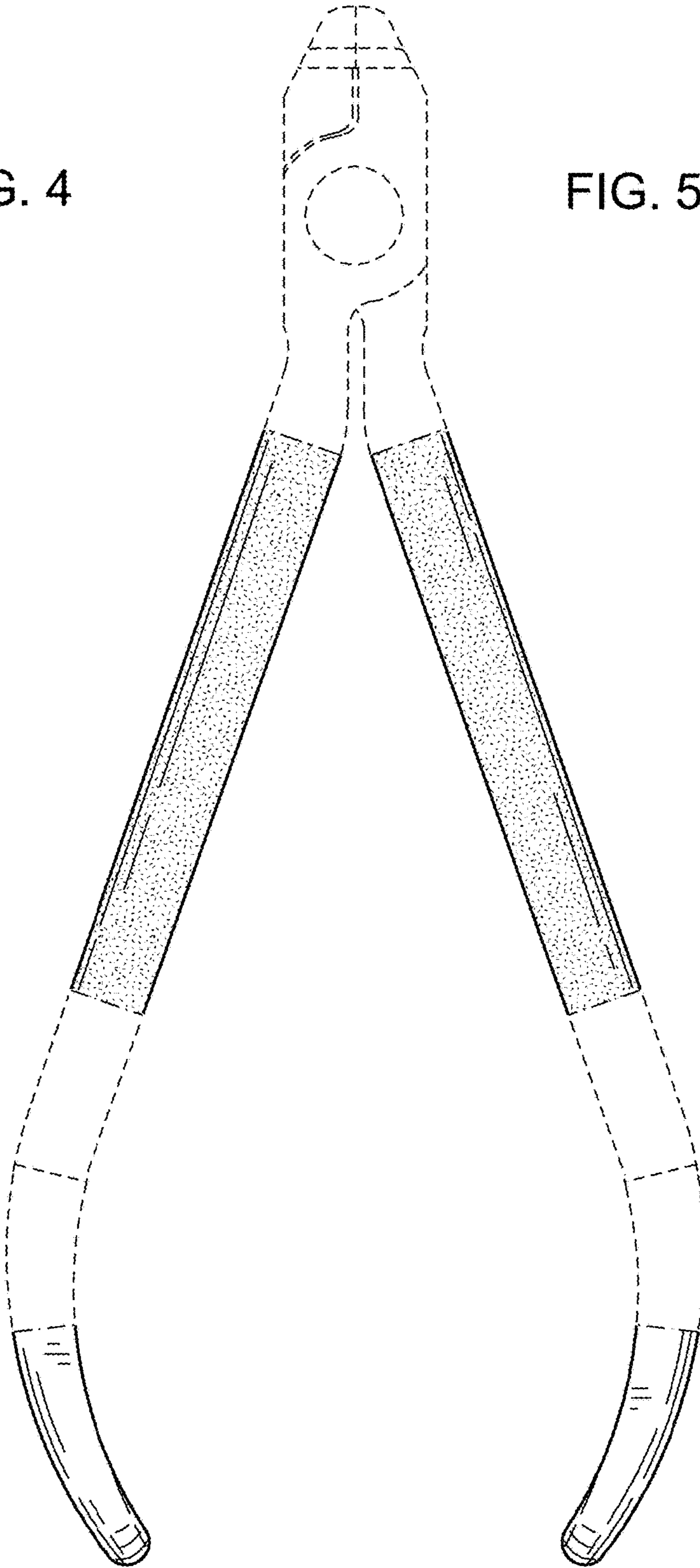


FIG. 5

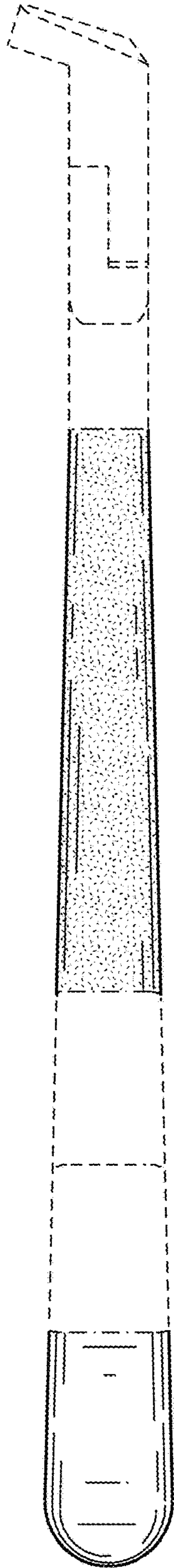


FIG. 6

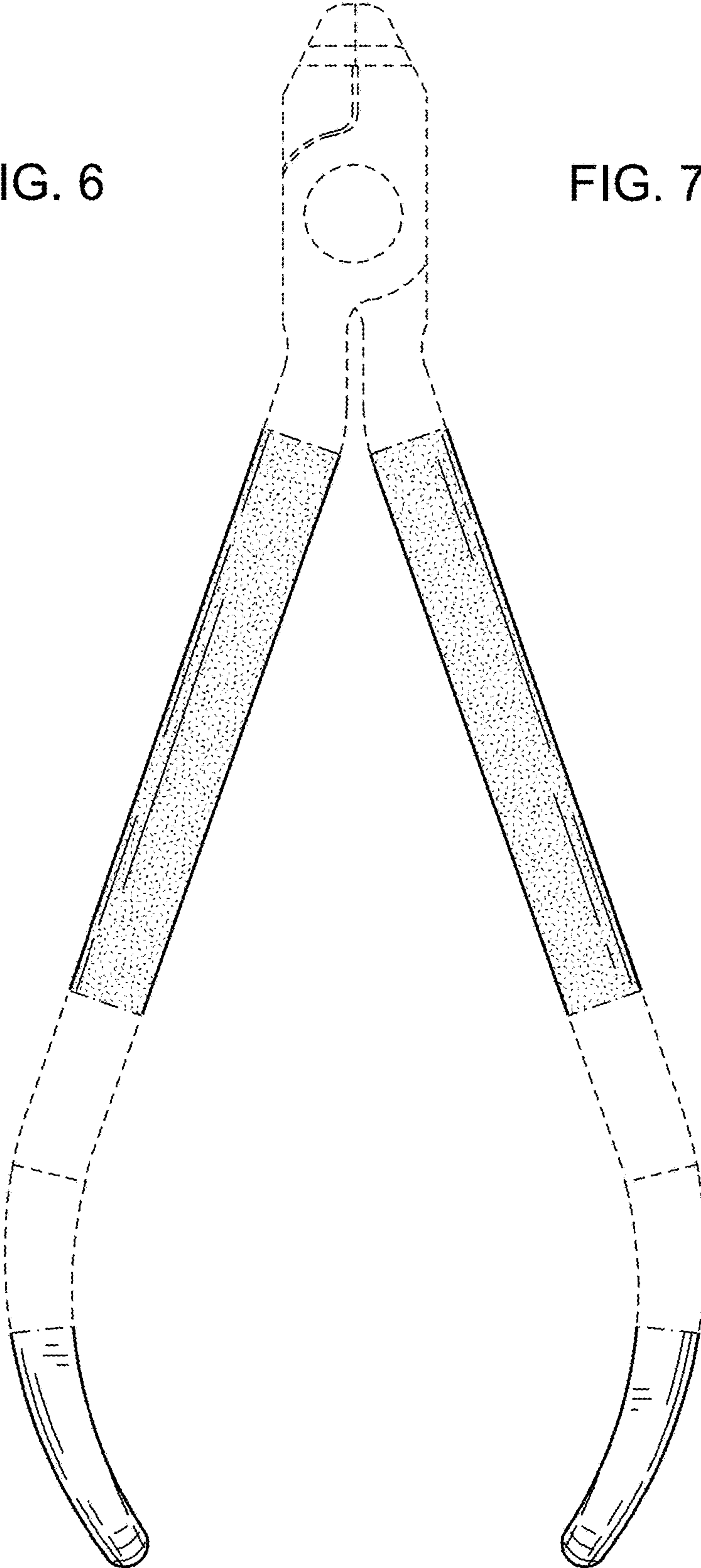


FIG. 7